



(12) **United States Design Patent**
Roland et al.

(10) **Patent No.:** **US D872,517 S**
(45) **Date of Patent:** **** Jan. 14, 2020**

- (54) **SLOW COOKER**
- (71) Applicant: **Spectrum Brands, Inc.**, Middleton, WI (US)
- (72) Inventors: **Gregory D. Roland**, Verona, WI (US); **Jacob Daniel Smith**, Middleton, WI (US); **Francisco Javier Barquin**, Madison, WI (US)
- (73) Assignee: **Spectrum Brands, Inc.**, Middleton, WI (US)
- (**) Term: **15 Years**
- (21) Appl. No.: **29/626,803**
- (22) Filed: **Nov. 20, 2017**

- D425,360 S 5/2000 Dobson et al.
- D433,869 S 11/2000 Wong et al.
- D434,940 S 12/2000 Hlava et al.
- D556,504 S 12/2007 Averty
- D568,676 S 5/2008 Steiner et al.
- D635,818 S 4/2011 Tse

(Continued)

FOREIGN PATENT DOCUMENTS

CN 203898088 U * 10/2014

OTHER PUBLICATIONS

Black+Decker 7-Quart Digital Slow Cooker with Chalkboard Surface, posted Sep. 30, 2016 [online], retrieved Aug. 1, 2018, retrieved from internet, <https://www.amazon.com/dp/B01LZZLQUL/ref=psdc_289940_t1_B01M1A1TCV>.*

(Continued)

Primary Examiner — Barbara Fox
Assistant Examiner — Messina L Smith
(74) *Attorney, Agent, or Firm* — Banner & Witcoff, Ltd.

Related U.S. Application Data

- (63) Continuation of application No. 29/557,007, filed on Mar. 4, 2016, now Pat. No. Des. 802,989.
- (51) **LOC (12) Cl.** **07-02**
- (52) **U.S. Cl.**
USPC **D7/360**
- (58) **Field of Classification Search**
USPC D7/323, 337, 339-341, 352, 354-358, D7/360, 362-367, 393, 402-403, D7/407-411, 601, 605; D3/276
CPC A21B 1/06; A21B 1/50; A21B 1/52; A47J 37/04; A47J 37/06; A47J 37/015; A47J 37/067; A47J 37/0611; A47J 37/0629; A47J 37/0676; A47J 37/108; F24C 7/06; F24C 7/083; F24C 15/02; F24C 15/66; H05B 3/20; H05B 3/40
See application file for complete search history.

(57) **CLAIM**

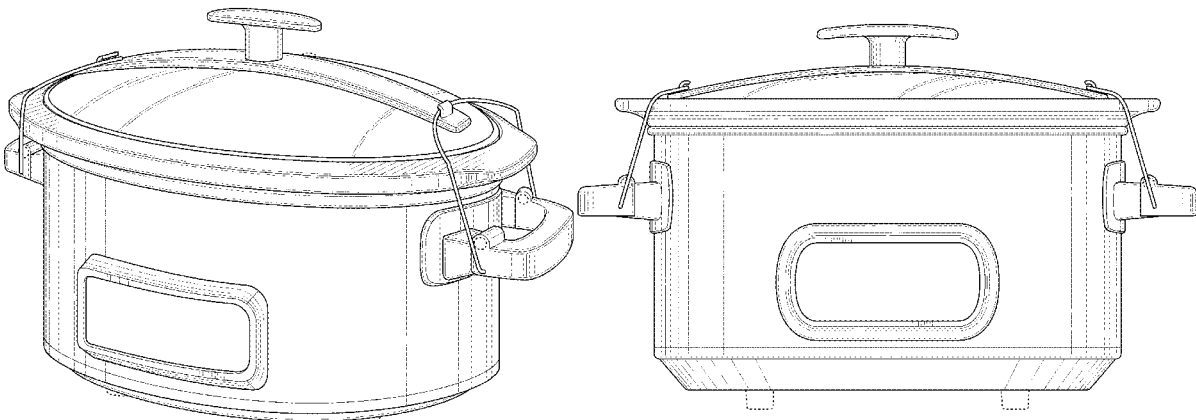
The ornamental design for a slow cooker, as shown and described.

DESCRIPTION

FIG. 1 is a front perspective view of a slow cooker showing our new design;
FIG. 2 is a front view thereof;
FIG. 3 is a rear view thereof;
FIG. 4 is a left side view thereof;
FIG. 5 is a right side view thereof;
FIG. 6 is a top view thereof; and,
FIG. 7 is a bottom view thereof.
The unshaded bottom surface, indicated with broken lines, forms no part of the claimed design. The remainder of the broken lines show portions of the slow cooker that form no part of the claimed design.

1 Claim, 7 Drawing Sheets

- (56) **References Cited**
U.S. PATENT DOCUMENTS
D329,570 S 9/1992 Gerlach
D420,246 S 2/2000 Alonge et al.



(56)

References Cited

U.S. PATENT DOCUMENTS

D641,202 S 7/2011 Bock et al.
 D682,009 S 5/2013 Day et al.
 8,648,282 B2* 2/2014 Garcia A47J 27/004
 219/432
 D701,416 S 3/2014 Day et al.
 D730,107 S 5/2015 MacInnis et al.
 D796,895 S* 9/2017 Blaise D7/354
 D802,989 S* 11/2017 Roland D7/360
 D803,616 S* 11/2017 Day D7/360
 2006/0130669 A1* 6/2006 Crow A47J 45/061
 99/403
 2007/0210061 A1* 9/2007 Tynes A47J 27/004
 219/433
 2007/0221651 A1* 9/2007 Kristina A47J 27/004
 219/432
 2010/0251902 A1* 10/2010 Schandel A47J 27/004
 99/348
 2011/0147365 A1* 6/2011 Pellerin A47J 27/004
 219/440

2012/0223067 A1* 9/2012 Gaynor A47J 36/10
 219/438
 2014/0103050 A1* 4/2014 Li A47J 27/0813
 220/573.4
 2014/0227401 A1* 8/2014 Kounlavong A47J 27/09
 426/231

OTHER PUBLICATIONS

7-Quart Digital Slow Cooker, posted at Blackanddeckerappliances.com, posted on 2015, site visited Feb. 24, 2017, <<http://www.blackanddeckerappliances.com/products/cooking-appliances/slow-cookers/SCD1007-7-quart-digital-slow-cooker-stainless-steel.aspx>>.
 Black+Decker SCD1007 7 Quart Programmable Slow Cooker with Digital Timer, Portable with Locking Lid, Stainless Steel, posted at Amazon.com, posted on Dec. 2, 2016, site visited Feb. 24, 2017, <<https://www.amazon.com/BLACK-DECKER-SCD1007-Programmable-Stainless/dp/B01M1A1TCV>>.

* cited by examiner

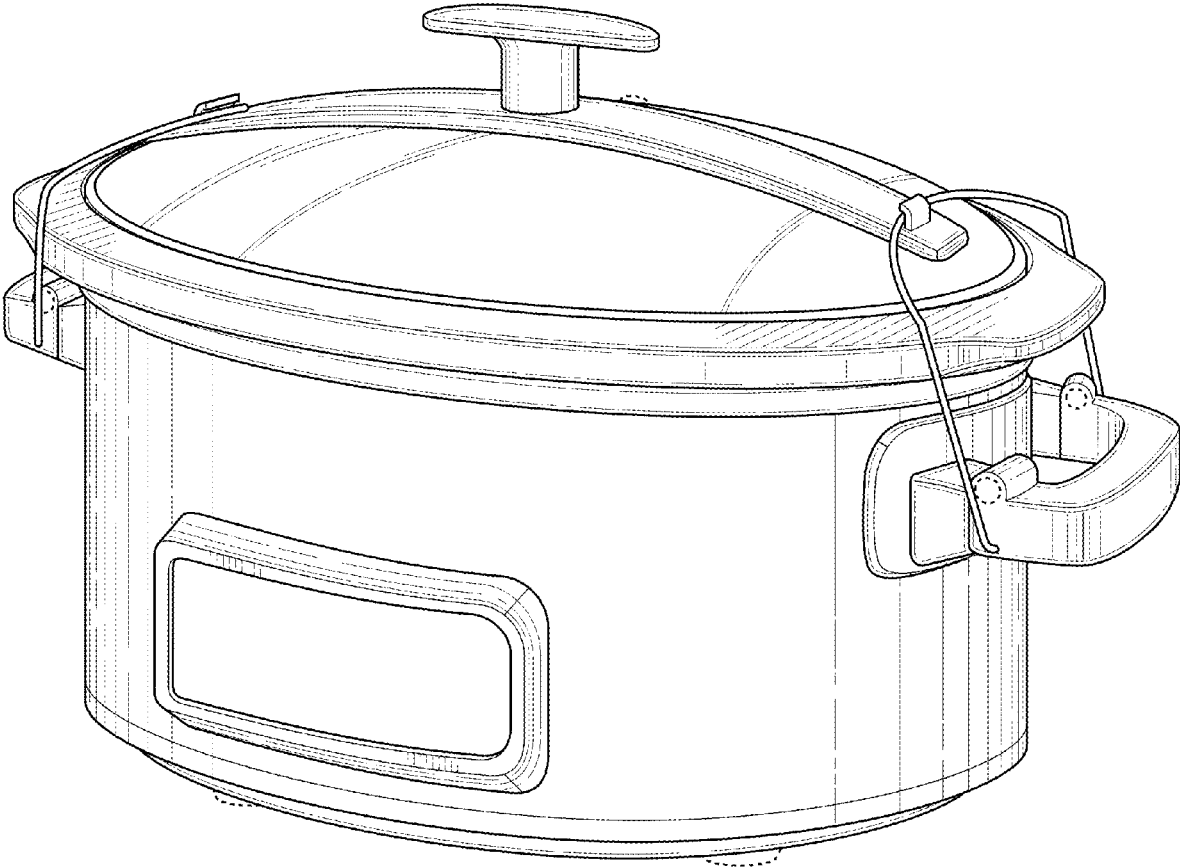


FIG. 1

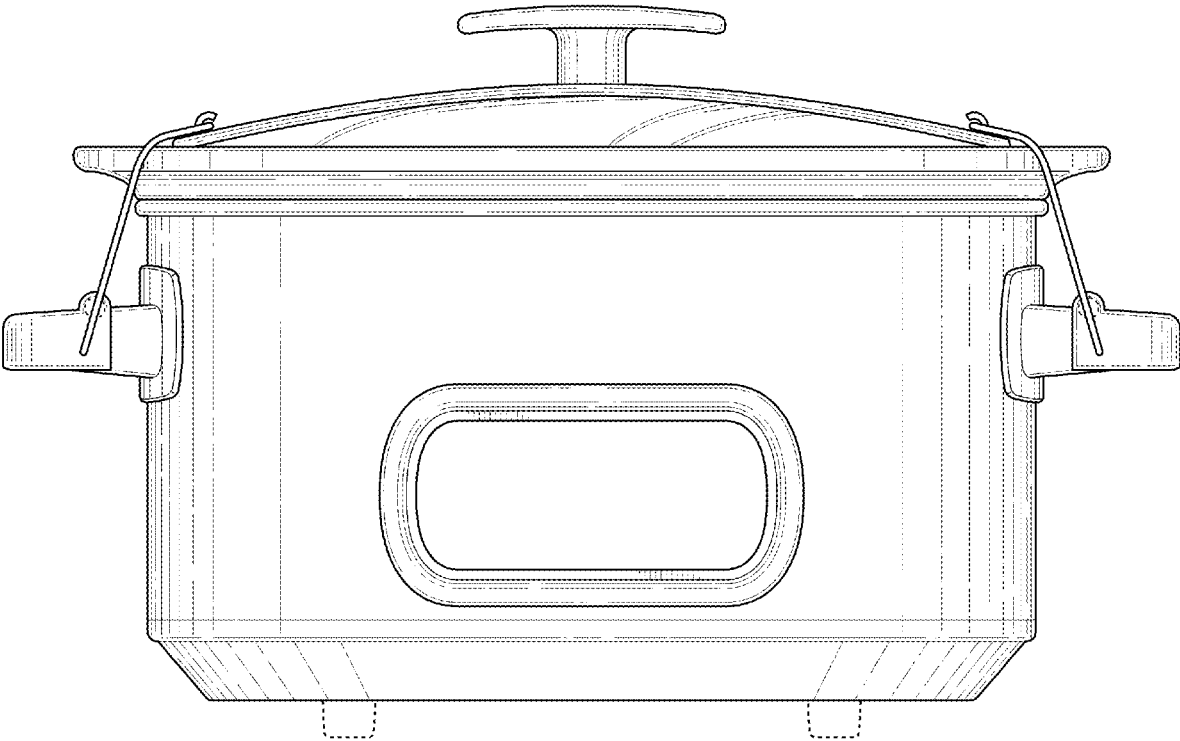


FIG. 2

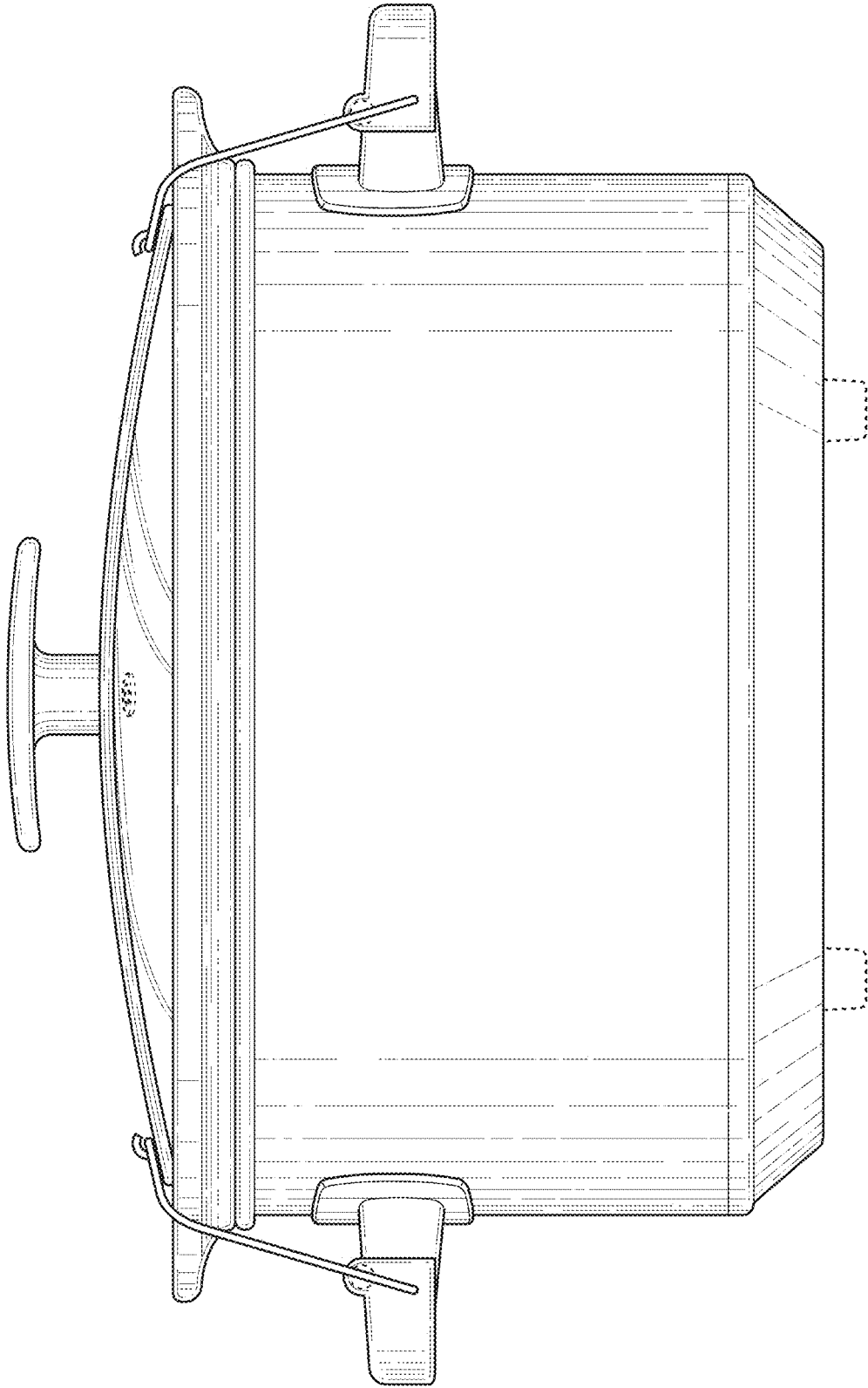


FIG. 3

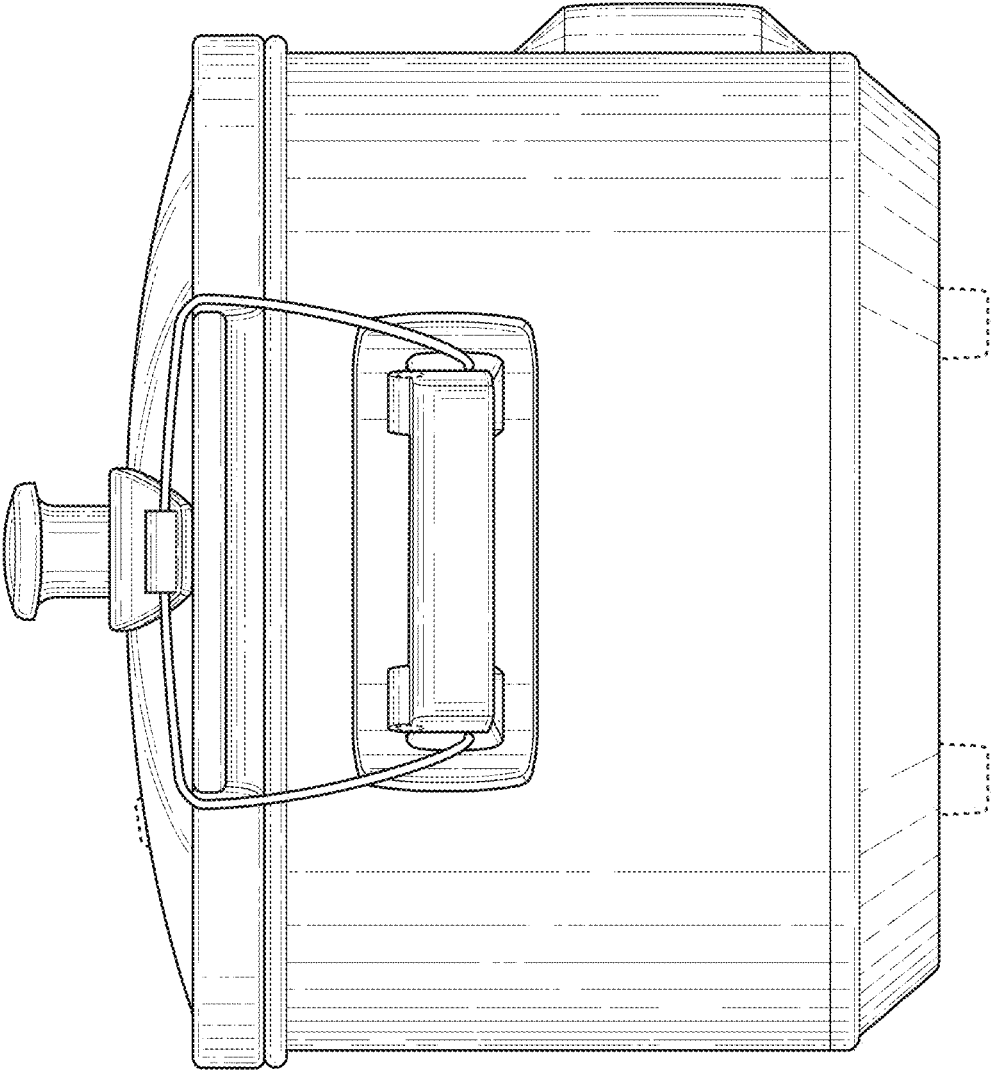


FIG. 4

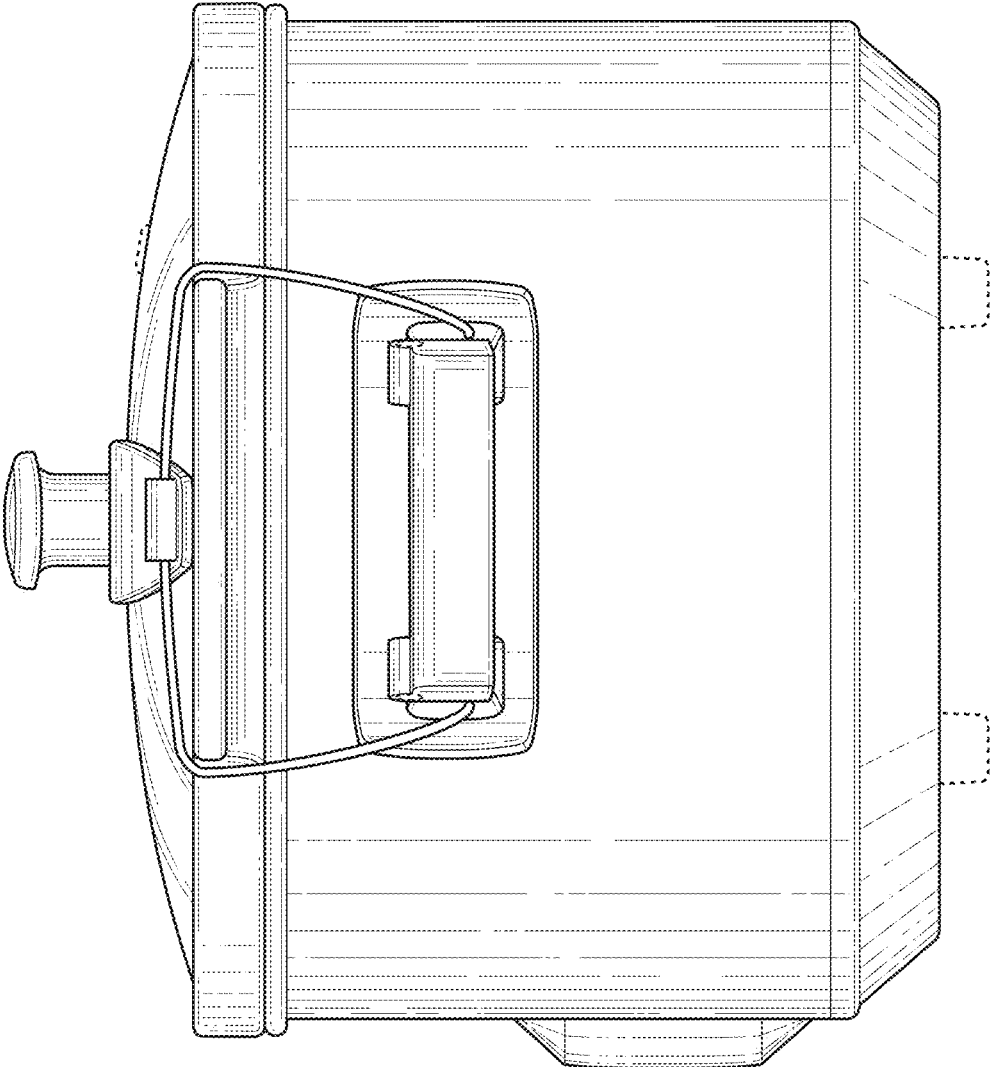


FIG. 5

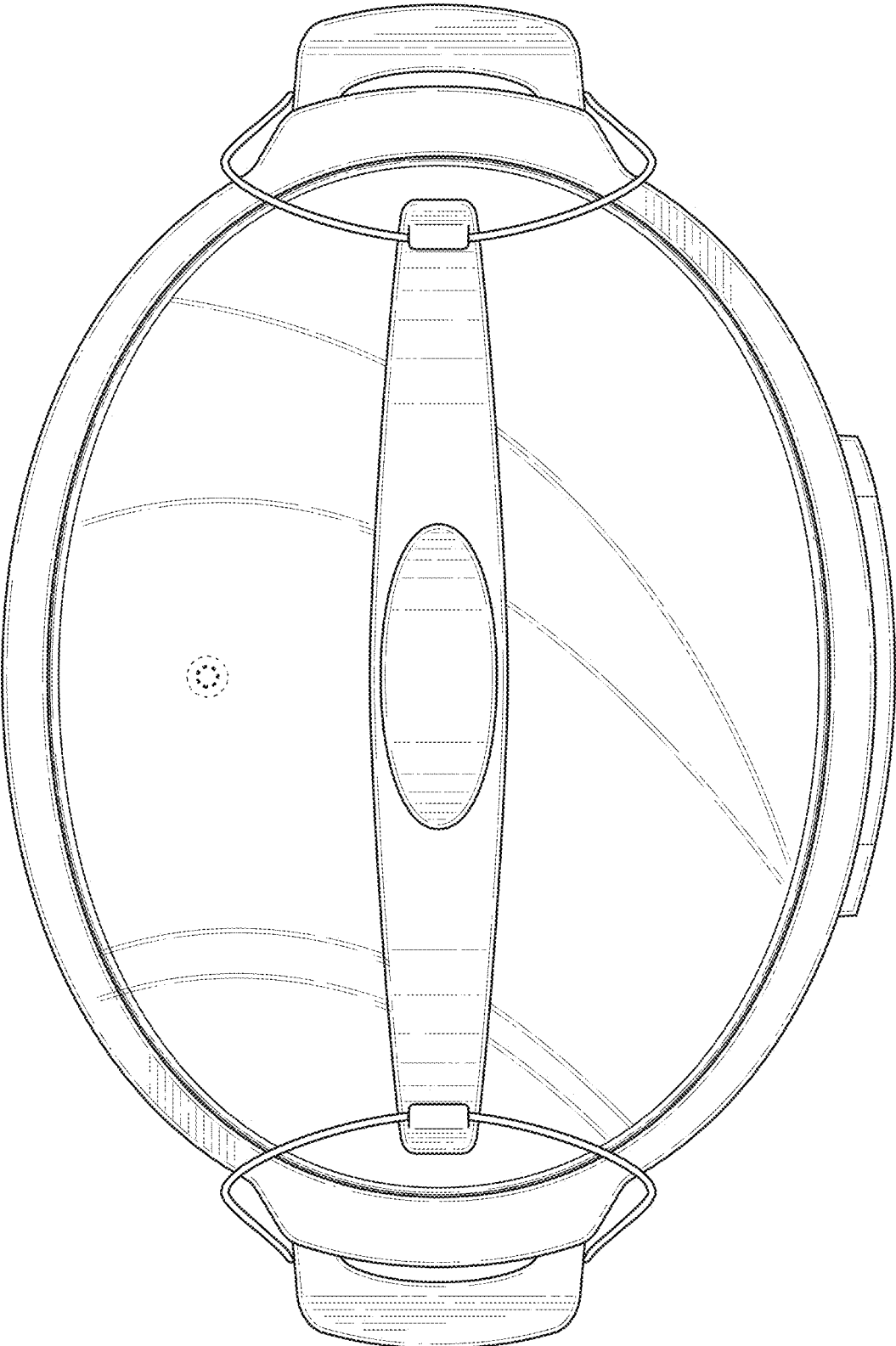


FIG. 6

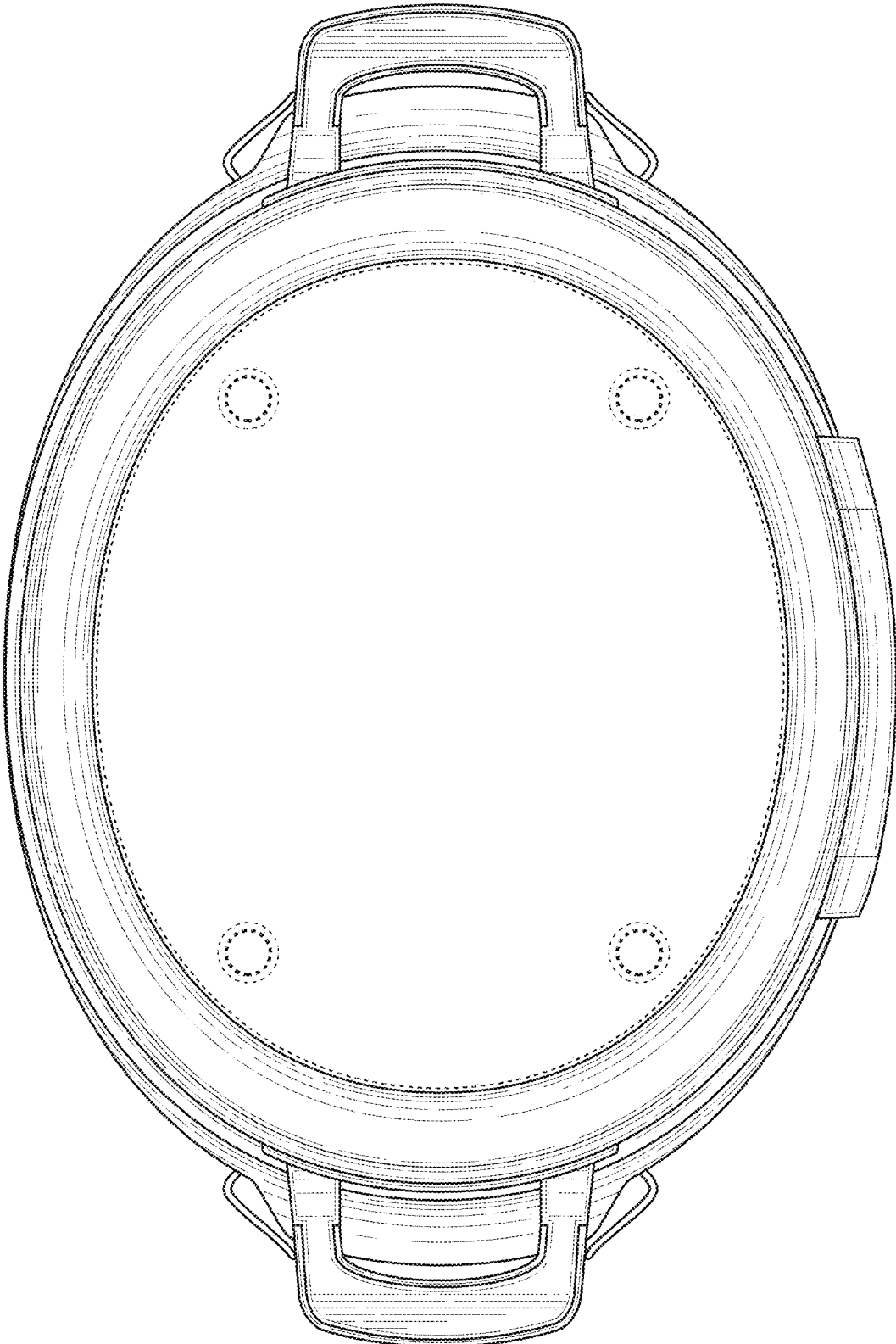


FIG. 7