



US0D1065366S

(12) **United States Design Patent**
Chen

(10) **Patent No.:** **US D1,065,366 S**

(45) **Date of Patent:** **** Mar. 4, 2025**

(54) **TOY GUN**

FOREIGN PATENT DOCUMENTS

(71) Applicant: **Ken Chen**, Shantou (CN)

CN 304941048 * 12/2018
CN 305173874 * 5/2019

(72) Inventor: **Ken Chen**, Shantou (CN)

(Continued)

(**) Term: **15 Years**

OTHER PUBLICATIONS

(21) Appl. No.: **29/963,736**

“Ruger SR9 pistol,” Nov. 6, 2007, officer.com, site visited Oct. 31, 2024, URL: <https://www.officer.com/tactical/firearms/handguns/product/10048389/police-law-enforcement-firearms-pistols-rifles-sturm-ruger-co-inc-ruger-sr9-pistol> (Year: 2007).*

(22) Filed: **Sep. 19, 2024**

(Continued)

(51) **LOC (15) Cl.** **21-01**

(52) **U.S. Cl.**

USPC **D21/574**

(58) **Field of Classification Search**

USPC D21/401–402, 567, 570, 573, 572, 574,

D21/575; D22/103–105, 108, 116

CPC .. F41B 9/00; F41B 9/004; F41B 9/006; F41B

9/0006; F41B 9/0015; F41B 9/0018;

F41B 9/0021; F41B 9/0062; F41B 7/08;

F41B 7/003; F41B 7/006; F41B 11/54;

F41B 11/89; F41B 11/642; F42B 6/00;

F42B 6/003; F42B 30/02; A63F 9/0252;

A63F 9/0278; A63H 33/28

See application file for complete search history.

Primary Examiner — Lauren D McVey

Assistant Examiner — Sarah L Smith

(74) *Attorney, Agent, or Firm* — Ricky Lam

(57)

CLAIM

The ornamental design for a toy gun, as shown and described.

DESCRIPTION

FIG. 1 is a front perspective view of a toy gun, showing my new design;

FIG. 2 is a rear perspective view thereof;

FIG. 3 is a front view thereof;

FIG. 4 is a rear view thereof;

FIG. 5 is a left side view thereof;

FIG. 6 is a right side view thereof;

FIG. 7 is a top view thereof;

FIG. 8 is a bottom view thereof;

FIG. 9 is an enlarged detail view of area 9 in FIG. 1; and, FIG. 10 is an enlarged detail view of area 10 in FIG. 1.

The evenly broken lines in the drawings illustrate portions of the toy gun, which form no part of the claimed design. The dash-dash-dot broken lines encircling the enlarged views at FIGS. 1 and 9-10 are shown for the purpose of illustrating the bounds of the enlargement and form no part of the claimed design.

(56) **References Cited**

U.S. PATENT DOCUMENTS

1,896,820 A * 2/1933 Jolidon F41A 17/38
42/25

5,671,559 A * 9/1997 Ludaesher F41B 9/00
42/1.08

D387,841 S * 12/1997 Hochstrate D22/100

D387,842 S * 12/1997 Kaminski D22/100

D709,158 S * 7/2014 Wells D22/108

D716,397 S * 10/2014 Rothmann D22/104

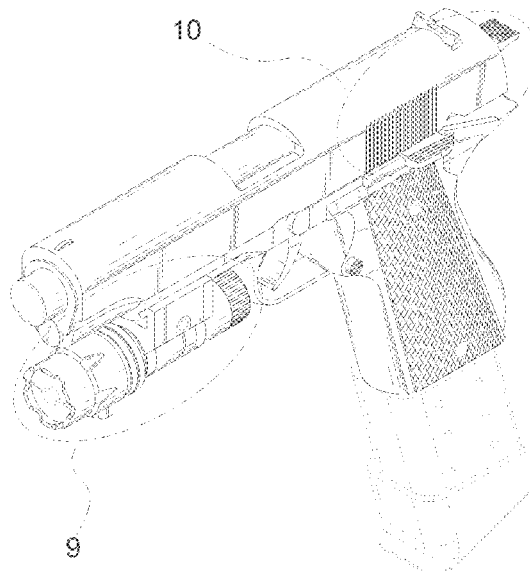
D744,049 S * 11/2015 Chu D22/104

D815,233 S * 4/2018 Toner D22/104

D823,969 S * 7/2018 Beville D22/104

(Continued)

1 Claim, 10 Drawing Sheets



(56)

References Cited

U.S. PATENT DOCUMENTS

D998,061 S * 9/2023 Xie D21/572
D999,847 S * 9/2023 Huang D21/574
D1,043,889 S * 9/2024 Adanur D22/104
2007/0202468 A1 * 8/2007 Iwasawa F41G 1/35
434/21

FOREIGN PATENT DOCUMENTS

CN 308221273 * 9/2023
CN 308837249 * 9/2024

OTHER PUBLICATIONS

“Pistol Toy Gun with Laser Light Unboxing,” Dec. 26, 2017, youtube.com, site visited Oct. 31, 2024, URL: <https://www.youtube.com/watch?v=RK4CE2cavaU> (Year: 2017).*

“Trinity flashlight for glock,” Feb. 21, 2018, amazon.com, site visited Oct. 31, 2024, URL: <https://www.amazon.com/TRINITY-flashlight-tactical-accessory-picatinny/dp/B079ZCTNVP> (Year: 2018).*

Lunar-lawn-mower, “New light on my Umarex Glock 17,” 2022, reddit.com, site visited Oct. 31, 2024, URL: https://www.reddit.com/r/airsoft/comments/zybaxz/new_light_on_my_umarex_glock_17/?rdt=59905 (Year: 2022).*

* cited by examiner

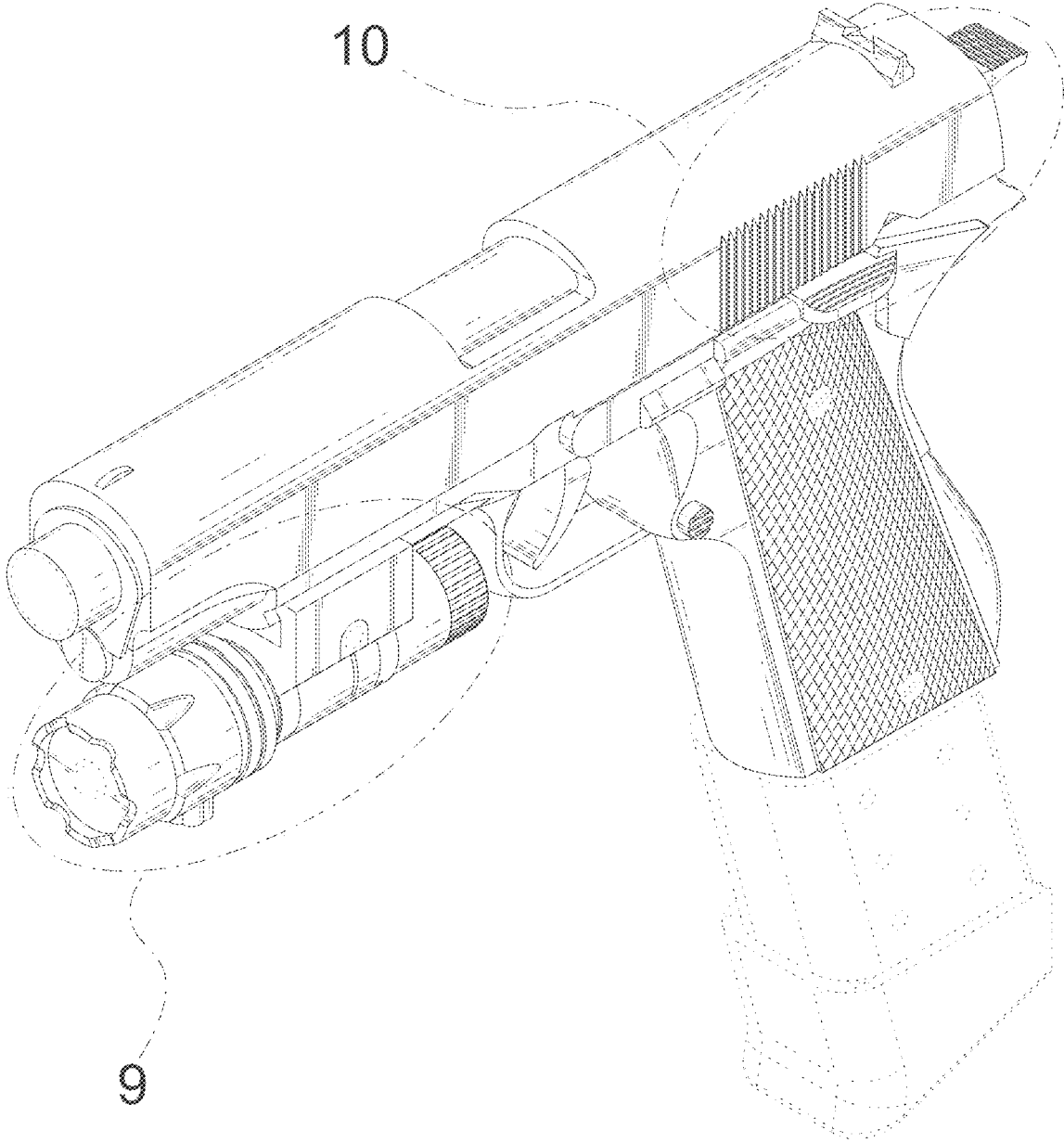


FIG. 1

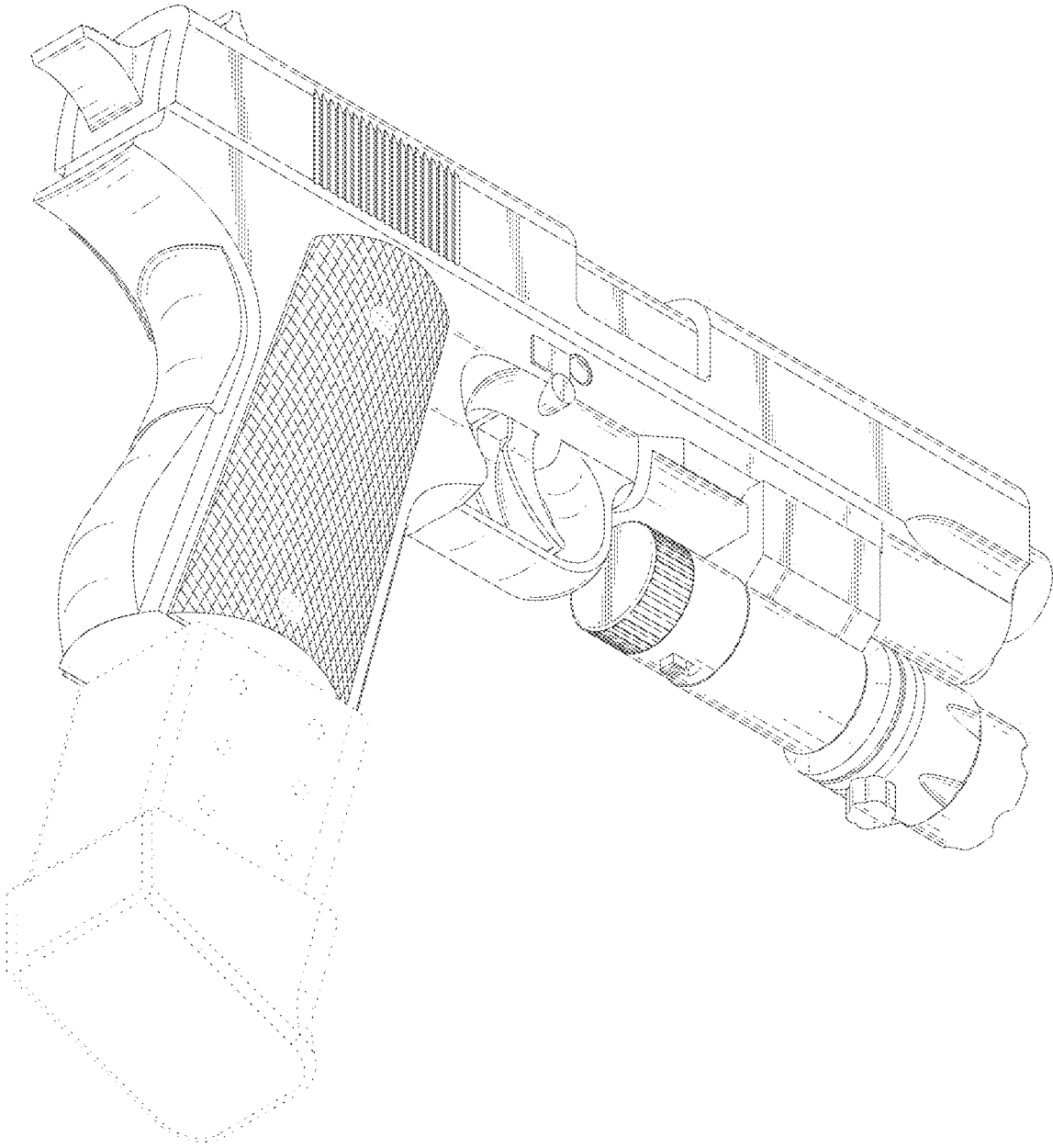


FIG. 2

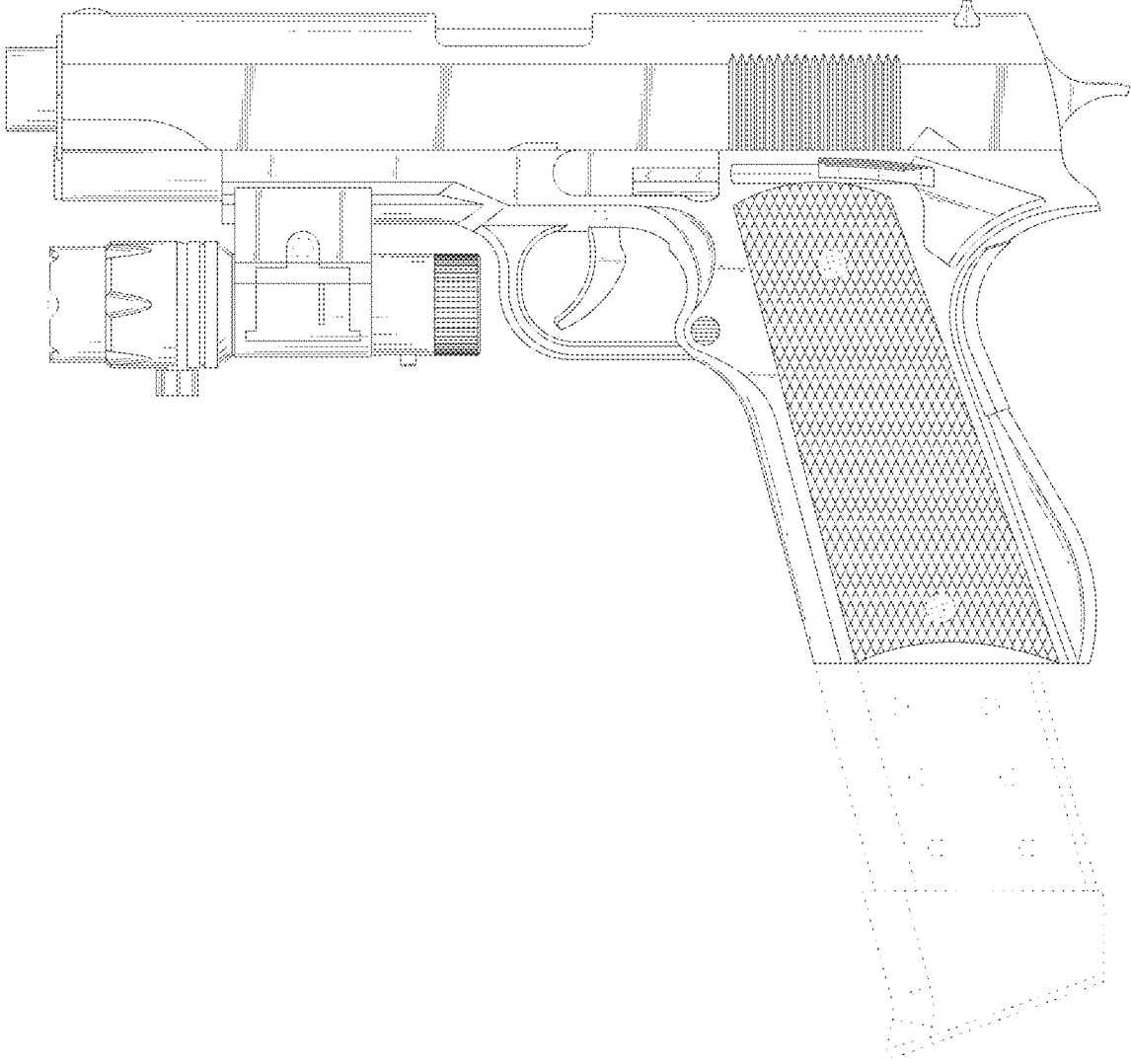


FIG. 3

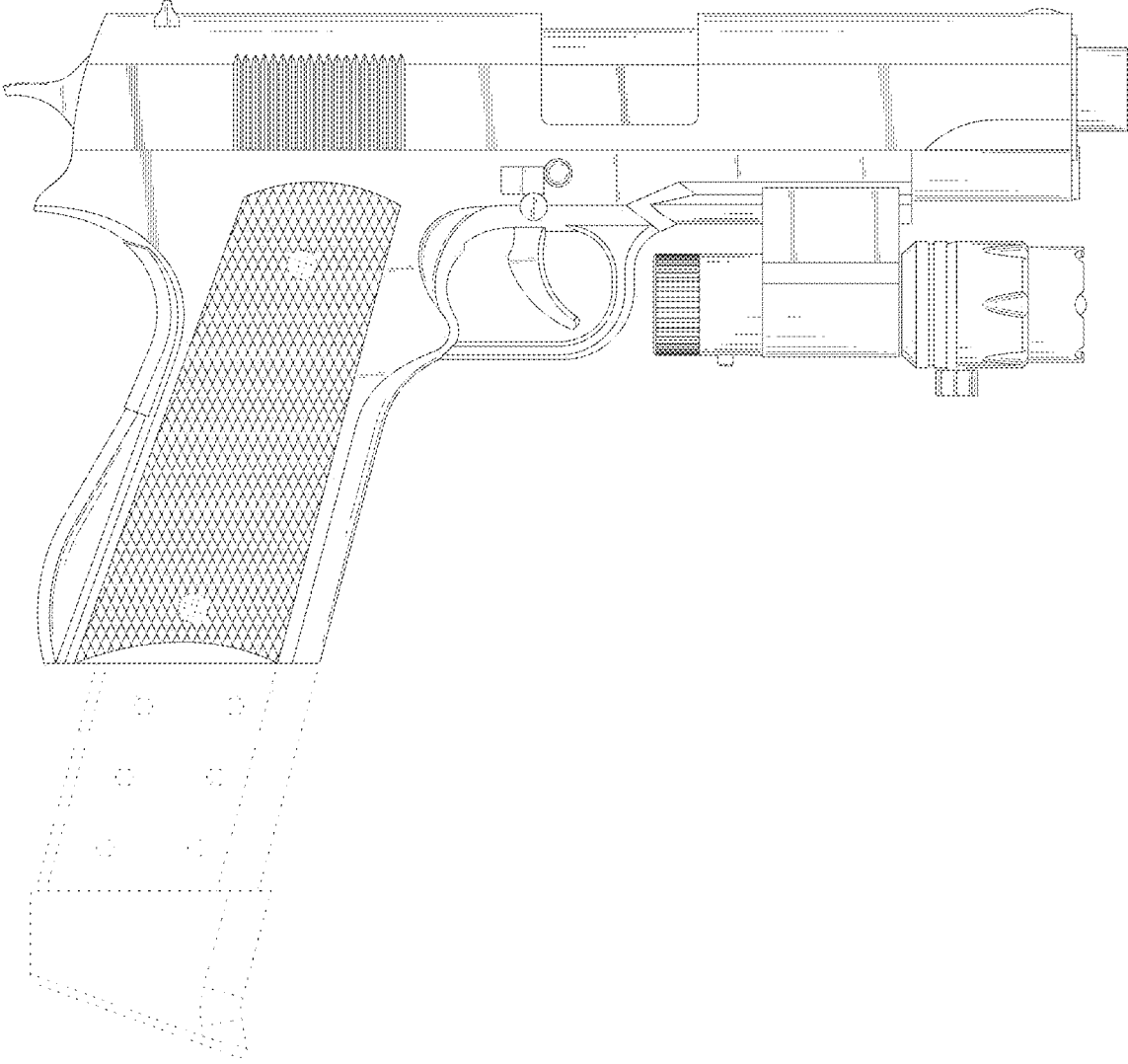


FIG. 4

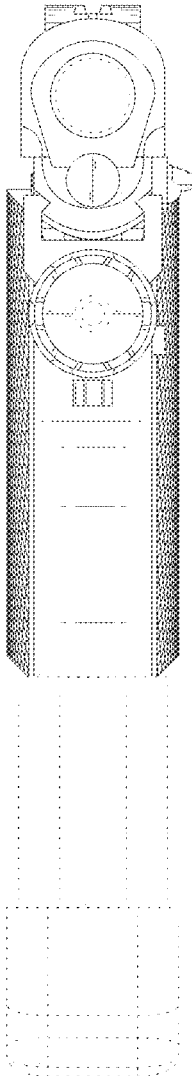


FIG. 5

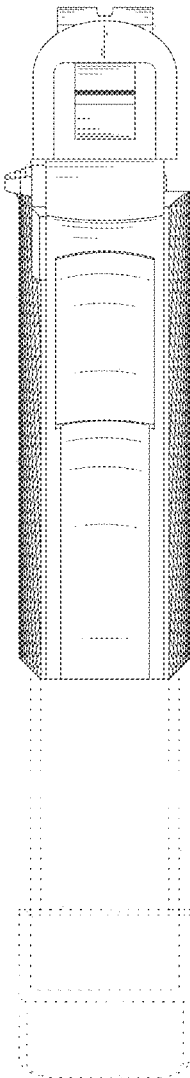


FIG. 6

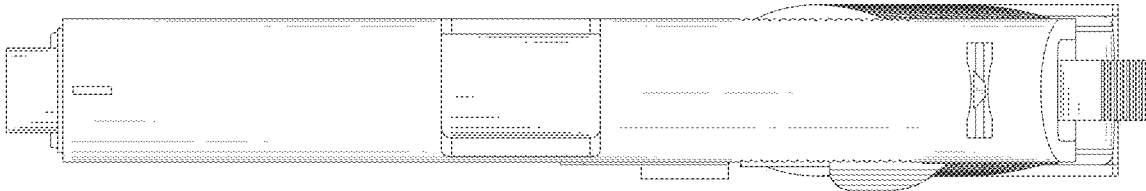


FIG. 7

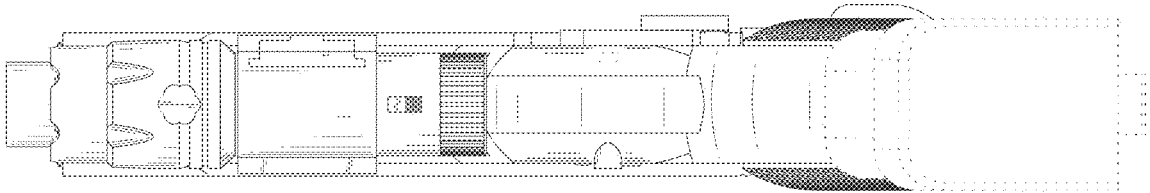


FIG. 8

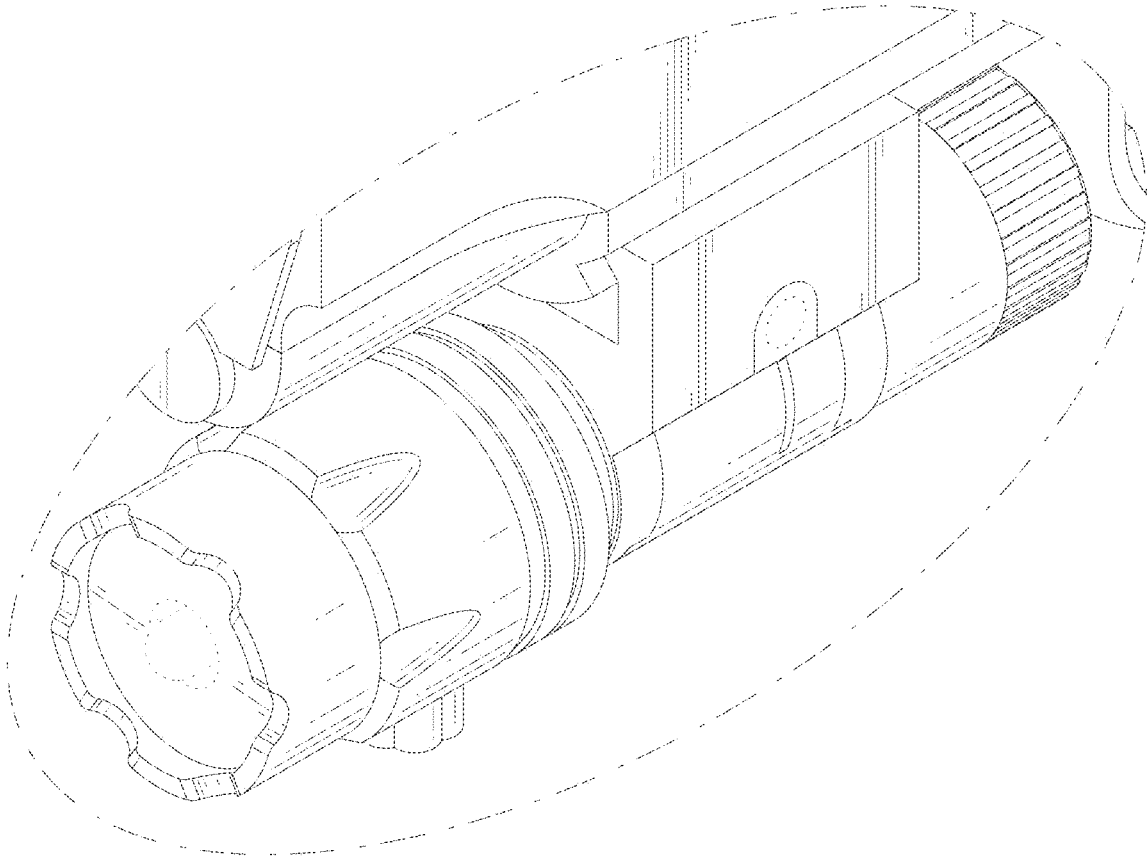


FIG. 9

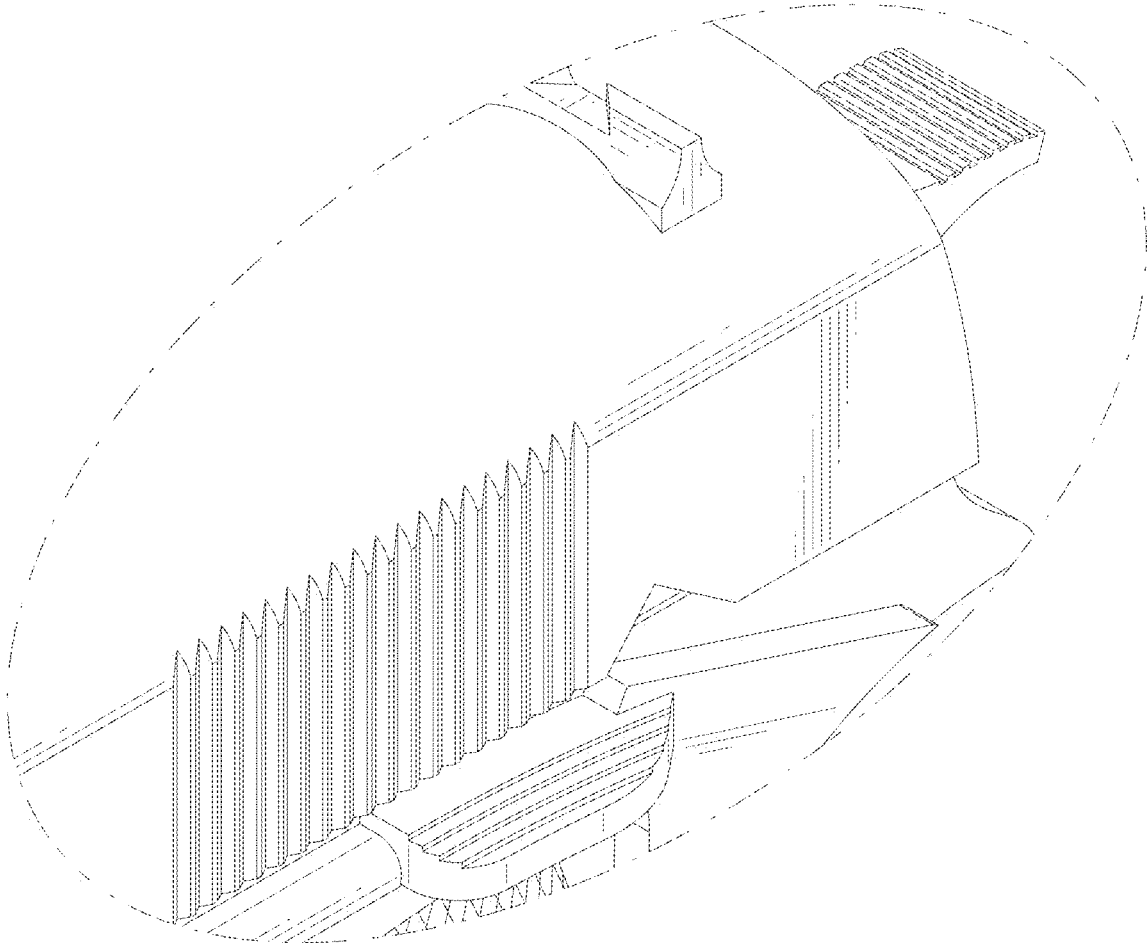


FIG. 10