

(19) World Intellectual Property Organization  
International Bureau



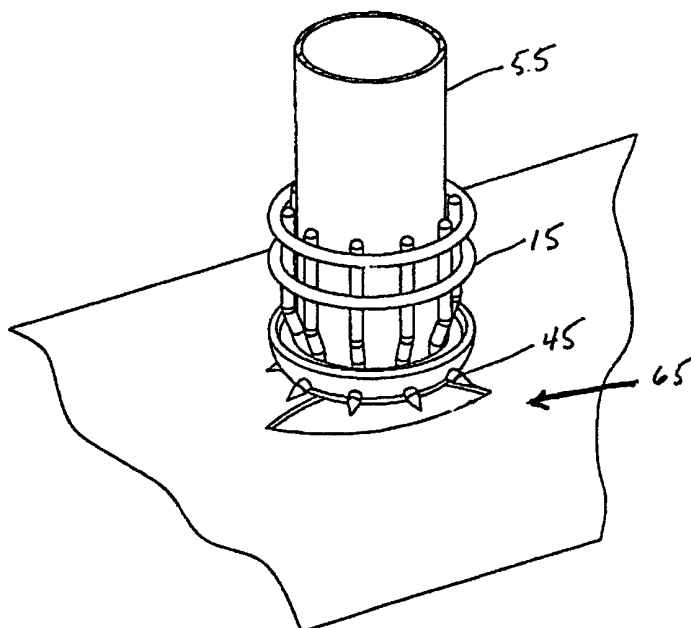
(43) International Publication Date  
17 May 2001 (17.05.2001)

PCT

(10) International Publication Number  
**WO 01/34037 A1**

- (51) International Patent Classification<sup>7</sup>: **A61B 17/08** Rail Farm, Lincoln, MA 01773 (US). **FIELD, Frederic, P.**; 5 Woodland Road, North Hampton, NH 03862 (US).
- (21) International Application Number: PCT/US00/30418
- (22) International Filing Date: 3 November 2000 (03.11.2000)
- (25) Filing Language: English
- (26) Publication Language: English
- (30) Priority Data: 60/163,680 5 November 1999 (05.11.1999) US
- (71) Applicant: **ONUX MEDICAL, INC.** [US/US]; 5 Merrill Drive, Hampton, NH 03842 (US).
- (72) Inventors: **SANCOFF, Gregory, E.**; 120 Mill Road, North Hampton, NH 03862 (US). **RICE, John, T.**; 31 Red
- (74) Agent: **PANDISCIO, Mark, J.**; Pandiscio & Pandiscio, 470 Totten Pond Road, Waltham, MA 02451-1914 (US).
- (81) Designated States (*national*): AU, CA, IL, JP, MX.
- (84) Designated States (*regional*): European patent (AT, BE, CH, CY, DE, DK, ES, FI, FR, GB, GR, IE, IT, LU, MC, NL, PT, SE, TR).
- Published:**  
— With international search report.
- For two-letter codes and other abbreviations, refer to the "Guidance Notes on Codes and Abbreviations" appearing at the beginning of each regular issue of the PCT Gazette.*

(54) Title: APPARATUS AND METHOD FOR PLACING MULTIPLE SUTURES DURING ANASTOMOSIS



(57) Abstract: An apparatus (10) for placing multiple sutures during anastomosis of physiological vessels includes a crown (15) portion having a plurality of strands (20) connected together by one or more circular bands (25). The strands each form a point at one end with a curved hook (45) at the same end. The curved hook (45) acts as a suture to retain one or more of the vessels. An alternative embodiment includes a plurality of strands, or wires (170), that are inserted through one or more vessels to simultaneously place multiple sutures. The present invention also comprises a method for placing a plurality of sutures simultaneously with an apparatus.



WO 01/34037 A1

APPARATUS AND METHOD FOR PLACING MULTIPLE SUTURES  
DURING ANASTOMOSIS

Reference To Earlier Application

This application claims the benefit of pending U.S. Provisional Patent Application Serial No. 60/163,680, filed November 5, 1999 by Gregory E. Sancoff, John T. Rice and Frederic P. Field. The aforementioned document is incorporated herein by reference.

Field Of The Invention

The invention generally relates to apparatus and methods for surgery. More specifically, the invention relates to apparatus and methods for the surgical formation of anastomosis of physiological vessels.

Background Of The Invention

It is a common surgical procedure to join together two or more surgical vessels such as intestines or blood vessels. The three main types of connections include: end-to-end, end-to-side, and side-to-side connections. As these structures often carry fluid,

- 2 -

the connections formed must be at least substantially complete around the entire surface. Traditional means for connecting together these structures include the use of sutures or staples.

Placing sutures by hand around the circumference of a vessel is often very difficult and cumbersome due to various factors. These factors include space limitations at the typical surgical site and attachment of the desired surgical vessel to or containment within various other structures. Such limitations impede manipulation and cause difficulty in accessing remote sides of the desired surgical vessels.

Additionally, blood vessels such as the coronary arteries, or those vessels used to form bypasses, are small in diameter and have very thin walls. The thin walls cause these vessels to adopt a collapsed configuration during handling which causes difficulty in handling and positioning the vessels.

An object of the invention is to provide an apparatus for placing multiple sutures during anastomosis of physiological vessels.

- 3 -

Another object of the invention is to provide a method for placing multiple sutures during anastomosis of physiological vessels.

#### Summary Of The Invention

An apparatus for placing multiple sutures during anastomosis of physiological vessels includes a crown portion having a plurality of strands connected together by one or more circular bands. The strands each form a point at one end with a curved hook at the same end. The curved hook acts as a suture to retain one or more of the vessels.

An alternative embodiment includes a plurality of strands, or wires, that are inserted through one or more vessels to simultaneously place multiple sutures.

The present invention also comprises a method for placing a plurality of sutures simultaneously with an apparatus.

#### Brief Description Of The Drawings

Figs. 1A-1E illustrate an embodiment of a crown for placing multiple sutures.

- 4 -

Figs. 2A-2D illustrate a crown including a retaining ring.

Fig. 3 illustrates a crown including a handle.

Figs. 4A-4N illustrate various embodiments of an apparatus for surgical anastomosis using an eversion technique.

Figs. 5A-5C illustrate an internal version of a crown.

Figs. 6A-6B, 7A-7B and 8A-8B illustrate various embodiments of strands having structures for additional flexibility.

Figs. 9-11 illustrate various eversion techniques using a crown.

Figs. 12A-12D illustrate a crown formed of a planar material.

Figs. 13A-13B illustrate a crown having a unitary ring structure.

Figs. 14A-14B illustrate an embodiment of the invention with hooks at both ends of a crown.

Figs. 15A-15B illustrate an embodiment of the invention with a self-locking hook.

Figs. 16-19 illustrate various pointed ends of a strand.

- 5 -

Fig. 20 illustrates an external version of a crown.

Figs. 21A-21F illustrate a device that places and secures sutures for making anastomotic connections.

Figs. 22A-22D illustrate various wire end configurations.

Figs. 23A-23F illustrate various die surface embodiments of a device that places and secures sutures for making anastomotic connections.

Figs. 24A-24B illustrate embodiments of a hinged device that places and secures sutures for making anastomotic connections.

Figs. 25A-25B illustrate an inflatable mandrel at the end of a catheter for a device that places and secures sutures for making anastomotic connections.

#### Detailed Description Of The Preferred Embodiments

Referring to Figs. 1-3, an apparatus 10 is shown for surgical formation of an anastomosis. In a preferred embodiment, apparatus 10 includes a crown 15 with a plurality of strands 20 joined together by at least two rings 25. Each strand 20 is joined to rings 25 adjacent a first end 30 and has a pointed barb 35 at

- 6 -

a second end 40. Strand 20 includes a curved portion 45 adjacent barb 35 and second end 40. Curved portion 45 may be in the form of a hook.

Now looking at Fig. 2A, crown 15 is shown with a retaining ring 50 for restraining hooks 45 of each strand 20. Retaining ring 50 allows positioning of second end 40 of crown 15 adjacent tissue of physiological vessels. Removal of retaining ring 50 causes deployment of hooks 45 which secure to one, or more, physiological vessels.

Figs. 3 and 4A-4N illustrate a method for surgical formation of an anastomosis of vessels, referred to as an eversion technique.

In Fig. 3, apparatus 10 is positioned over one end of a physiological vessel 55 and a scope 60 positioned therethrough is shown. A handle 56 attached to crown 15 is provided to manipulate apparatus 10. Handle 56 contains a separation means 57 which includes, but is not limited to, a prefabricated breaking point.

In Fig. 4A, the progression of crown 15 up the length of vessel 55 is shown. After crown 15 is positioned a suitable distance along vessel 55, the end of vessel 55 is folded back and impaled upon hooks 45

- 7 -

as shown in Fig. 4B. Next, crown 15 surrounding vessel 55 is positioned within physiological vessel 65 as shown in Fig. 4D and as shown in a cross-sectional view in Fig. 4E. Retaining ring 50 is shown in the cross-sectional view of Fig. 4E and is accessible to the outside of the apparatus 10. Retaining ring 50 is removed by cutting therethrough. Alternatively, retaining ring 50 may be removed from hooks 45 by other methods such as repositioning to an area adjacent rings 25.

Now looking at Figs. 4F and 4G, apparatus 10 is shown after retaining ring 50 is removed and hooks 45 are driven through vessel 65. As shown in Fig. 4G, a gap 75 may be created between vessel 55 and vessel 65 during the eversion technique.

In one embodiment of the invention, a sealing ring 70 is also used in conjunction with crown 15 to form apparatus 10, as illustrated in Figs. 4H-4K. Sealing ring 70 is formed of a puncturable, implantable material such as an elastic material including, but not limited to, plastic or elastomer.

Looking again at Fig. 4G, the gap 75 between vessel 55 and vessel 65 created by the eversion

- 8 -

technique is shown. In order to eliminate gap 75, and protect hooks 45, sealing ring 70 is placed onto crown 15 as shown in Figs. 4H and 4I. Now looking at Fig. 4J, it can be seen that the outer surface of sealing ring 70 contacts vessel 55 and vessel 65 as sealing ring 70 is impaled onto pointed barbs 35. This simultaneous contact eliminates any passageway created by gap 75. Additionally, sealing ring 70 having an appropriately sized cross-sectional radius can also contact crown 15 above hooks 45 in addition to vessel 55 and vessel 65 to provide a more secure seal of gap 75.

Now looking at Fig. 4K, an alternative embodiment includes a plurality of sutures 80, placed around apparatus 10 to close gap 75 between vessel 55 and vessel 65. Sealing ring 70 may also be used as described above for protection of pointed barbs 35 in addition to the placement of sutures 80 for closure of gap 75.

Referring to Figs. 4L-4N, another preferred embodiment including a clover leaf bender 82 to drive the ends of hooks 45 containing pointed barb 35 toward vessel 65 is shown. Clover leaf bender 82 is formed

- 9 -

with a series of protrusions 83 and recesses 84. As shown in Fig. 4L, clover leaf bender 82 is placed around crown 15 after vessel 55 and vessel 65 are attached to one another. Now looking at Fig. 4M, recesses 84 contain the outwardly extending ends of hooks 45 with protrusions 83 therebetween. Next, clover leaf bender 82 is rotated, as shown in Fig. 4N, to drive the ends of hooks 45 radially and downwardly toward vessel 65. In one embodiment of the invention, clover leaf bender 82 is turned to drive the ends of hooks 45 substantially parallel to vessel 65 and is then removed from crown 15. In another embodiment, clover leaf bender 82 is turned only enough to deflect the outwardly extending ends of hooks 45 and is left in contact with hooks 45. Clover leaf bender 82 acts in a similar manner as sealing ring 70 when left in attachment to crown 15.

Figs. 5A-5C illustrate an alternative arrangement in which crown 15 is placed within physiological vessel 55. As shown in Fig. 5A, lock ring 85 is provided to secure crown 15 within vessel 55 and hooks 45 are restrained by retaining ring 50 prior to insertion into vessel 65. Now looking at Fig. 5B, first end 30 (shown

- 10 -

in Fig. 5A) of crown 15 is shown inserted into vessel 55 with lock ring 85 securely fastened over vessel 55 between crown rings 25. Hooks 45 are still restrained by retaining ring 50 for insertion of second end 40 (shown in Fig. 5A) of crown 15 into vessel 65.

Referring to Fig. 5C, second end 40 of crown 15 is shown during insertion into vessel 65. Retaining ring 50 is removed, preferably by cutting, and hooks 45 deploy to secure crown 15 to vessel 65 as described above. In addition, other embodiments described herein, such as sealing ring 70 and/or sutures 80, may be implemented to further seal together vessel 55 and vessel 65.

Now looking at Figs. 6A-6B, 7A-7B and 8A-8B, alternative embodiments are shown which provide greater flexibility in strands 20 attaching hooks 45 to crown rings 25. In Figs. 6A and 6B, an embodiment is shown in which each of the strands 20 contains a bend 90 to provide additional flexibility. In Figs. 7A and 7B, an embodiment is shown in which each of strands 20 contains a spring 95 to provide additional flexibility. In Figs. 8A and 8B, an embodiment is shown in which each of strands 20 uses a spring structure 100 for

- 11 -

attachment to one of crown rings 25. Strand bend 90, strand spring 95 and spring structure 100 are advantageous in that less force is required to position hooks 45 with retaining ring 50 or with any other instrument. Strand bend 90, strand spring 95 and spring structure 100 also permit greater deflection without material failure of strand 20 and to increase the force of hooks 45 to penetrate vessel 65.

Referring now to Fig. 9, vessel 55 and vessel 65 are shown attached together using the eversion technique at an angle relative to one another. In Fig. 10, vessel 55 and vessel 65 are shown being attached together using the eversion technique in series with each other. In Fig. 11, a view is shown looking from the inside of vessel 65 attached to vessel 55 with hooks 45 about the perimeter of the attachment.

Referring to Figs. 12A-12D, an alternative embodiment of an apparatus and method where crown 15 is stamped or etched from a sheet of material 105 is shown. In Fig. 12A, sheet 105 is shown intact before stamping or etching to create crown 15. Phantom lines 110 on sheet 105 depict the configuration of the stamping or etching. Next, crown 15 is stamped or

- 12 -

etched from sheet 105 to form a planar crown 115 as shown in Fig. 12B. Planar crown has a first end 120 and a second end 125 on opposing ends of crown rings 25 to connect together strands 20. Planar crown 115 is rolled to connect first end 120 to second end 125 to form crown 15, as shown in Fig. 12C. Crown 15 formed by planar crown 115 has substantially straight strands 20. Then hooks 45 are formed as shown in Fig. 12D. In this configuration, crown 15 is utilized as otherwise described herein.

Now looking at Figs. 13A and 13B, an alternative embodiment is shown in which crown rings 25 of crown 15 are a unitary structure 130. Crown 15 having unitary structure 130 is formed either by one of the techniques described above, by molding a single element or by using other known processes. Then hooks 45 are formed as shown in Fig. 13B. Crown 15 is attached to at least one vessel structure using the techniques described herein.

Referring to Figs. 14A and 14B, an alternative embodiment of crown 15 having hooks 45 at both first end 30 and at second end 40 is shown. As shown in Fig. 14B, vessel 55 is attached to hooks 45 at first end 30

- 13 -

and then vessel 65 is attached to hooks 45 at second end 40 to complete the surgical anastomosis of the vessels. Additionally, other embodiments and methods described herein may be incorporated into this embodiment.

Now referring to Figs. 15A and 15B, an alternative embodiment to restrain hooks 45 containing pointed barbs 35 is shown. Strands 20 each contain an articulating portion 132 which allows the positioning of hook 45 around and the positioning of barb 35 behind strand 20 toward first end 30 of crown 15. To deploy hook 45, second end 40 of crown 15 is positioned within a vessel. Next, hook 45 springs outward, penetrating vessel 65, and then it is snapped back around strand 20, as shown in Fig. 15B, thus capturing vessels 55 and 65.

Pointed barbs 35 include a range of structures including, but not limited to, several embodiments shown in Figs. 16-19. In Fig. 16, pointed barb 20 is conically shaped at the end of a cylindrical shaped strand 20. In Fig. 17, pointed barb 20 is formed from a cut at an acute angle from a cylindrical shaped strand 20. In Fig. 18, pointed barb 20 is formed from

- 14 -

a pair of cuts at acute angles at the end of a rectangular shaped strand 20. In Fig. 19, pointed barb 20 is formed in a pyramidal shape at the end of a rectangular shaped strand 20.

The preferred embodiment of the invention also includes sealants to facilitate closure of gap 75, or any other opening. Sealants are contained on crown 15 adjacent hooks 45. Sealants include, but are not limited to, various glues and clotting agents. After placement of crown 15 and effecting the surgical anastomosis, these sealants further aid in closure of any gaps and openings.

An alternative embodiment of the invention, as shown in Fig. 20, includes an apparatus and method to place vessel 55 inside crown 15 and to secure crown 15 with an internal lock ring 135 placed in vessel 55 at a position between two crown rings 25. Lock ring 135 exerts an outward force to hold vessel 55 to crown 15.

Figs. 21A-21F show another embodiment of an apparatus and method to use metal suture wires to form an anastomotic connection between vessel 55 and vessel 65. A flexible mandrel 140 with a flanged end 145 is

- 15 -

inserted into vessel 55 such that the end of vessel 55 is flared against flanged end 145 of mandrel 140.

A main body section 150 is placed over vessel 55. Section 150 consists of a tubular section 155 with a flanged end 160 that mates with that of flexible mandrel 140. Starting within flanged end 160 of the main body, and extending along the axial length a short distance, are wire tubes 165 that contain short pieces of metallic wire 170. Above tubes 165 is a sleeve 175 that slides along the outside of main body 150. Within the walls of sleeve 175 are receiving holes 180 for wire tubes 165, and plungers 185 extending from the receiving holes 180. Receiving holes 180, in combination with wire tubes 165, form a telescoping tube pair 190 that supports wire 170 as the end of the sleeve side is advanced forward. Sliding sleeve 175 toward flanged end 160 of main body 150 causes the plungers 185 to push wires 170 downward and into the tissue of vessel 55. Wire 170 would normally buckle under the load, but tubes 190 provide lateral support. When the tips of the wire 170 reach flanged end 145 of flexible mandrel 140, a die surface 195 (shown in Fig. 23B) deflects wire 170 outward and backward, i.e.

- 16 -

proximally. At this point the tips of wire 170 have pierced the wall of vessel 55 and the wall of vessel 65 and, with the deflection caused by die surface 195, will now go back up through and out the wall of vessel 65 as sleeve 175 is advanced further. Wire advance is stopped when the outer wire tube 190 hits the bottom of receiving holes 180 of sleeve body 175. Main body 150 is then pulled away from the suture site along the vessel axis, allowing wires 170 to remain where they have been placed.

Figs. 22A-22D show four possible end configurations for the tip of wire 170 to maintain the approximation of the tissue. If wire 170 is made of a very elastic material such as Nitinol, wire 170 can be preformed into these shapes and resume these shapes once it has been pushed out of wire tubes 165. Wire 170, as shown in Figs. 22A, 22C, and 22D, holds the tissue in place because the tissue would otherwise have to bend wire 170 to provide an exit path. The distal end of wire 170, as shown in Fig. 22B, forms a loop about a section of the proximal strand, or vice versa, thereby creating an even more secure hold on the tissue.

- 17 -

In the case of malleable metallic suture wire 170, the section of suture wires 170 that have passed through die surface 195 can be formed into various shapes depending on the geometry of die surface 195. The smaller the radius of die surface 195, the tighter the curvature of the end configuration of suture wire 170. See Figs. 23A-23F.

Because both main body 150 and sleeve 175 are circumscribing vessel 55 after it has been sutured, a method to remove main body 150 and sleeve 170 after the sutures have been placed is provided. Embodiments of main body 150 and sleeve 175 that have been split lengthwise and hinged at one edge are shown in Fig. 24A. After wire sutures 170 have been placed, sleeve 175 is opened up and pulled away, followed by main body 150 in the same fashion.

Flexible mandrel 140 must also be removed once the connection has been made. Figs. 25A and 25B show flexible mandrel 140 that has an inflatable flanged end 200 with die surfaces 195 that expand with the inflation. The fluid pressure to expand mandrel 140 comes from a catheter 210 that is also used to deliver fluid from a point somewhere in the body or outside the

- 18 -

body. Because die surfaces 195 need to be rigid, die surfaces 195 are placed on a separate surface 220 from flange 200 that can expand but also remain rigid to deflect wire 170.

The present devices provide a means of placing and securing wire sutures around the circumference of vessels during an anastomosis.

- 19 -

What Is Claimed Is:

1. An apparatus for placing multiple sutures during anastomosis of physiological vessels, said apparatus comprising:

a crown comprising:

a plurality of strands, each strand of said plurality of strands having a first end and a second end, each said strand having a first portion and a second portion adjacent said first end and said second end, respectively;

at least one circular band joining together said plurality of strands adjacent said first portion of each said wire strand;

each said strand forming a point in said second end; and

each said strand forming a hook adjacent said second portion for attachment to at least one physiological vessel during anastomosis of physiological vessels.

2. The apparatus of claim 1 further comprising means for retaining each said hook of said plurality of

- 20 -

strands in a first position for insertion of said second portion of said crown into at least one physiological vessel.

3. The apparatus of claim 2 further comprising means for deploying each said hook second portion from said first position to a second position for securing each said hook to at least one physiological vessel during anastomosis of vessels.

4. The apparatus of claim 3 wherein said retaining means is a retaining ring.

5. The apparatus of claim 4 wherein said deploying means is removal of said retaining ring.

6. The apparatus of claim 5 wherein said removal of said retaining ring is accomplished by cutting said retaining ring.

7. The apparatus of claim 2 wherein said retaining means is an articulating portion on said strand, wherein said articulating portion allows said

- 21 -

hook to be retained by positioning said hook around said first end of said strand and deployed by disengaging said hook from said strand.

8. A method for placing multiple sutures during anastomosis of physiological vessels, said method comprising:

providing a crown comprising:

a plurality of strands, each strand of said plurality of strands having a first end and a second end, each said strand having a first portion adjacent said first end and said second end, respectively;

at least one circular band joining together said plurality of strands adjacent said first portion of each said strand; and

each said strand forming a hook adjacent said second end with a point at said second end;

attaching a first physiological vessel to said crown; and

attaching a second physiological vessel to said crown such that said first physiological vessel and said second physiological vessel are substantially joined to one another.

- 22 -

9. An apparatus for placing multiple sutures during anastomosis of physiological vessels, said apparatus comprising:

a body containing multiple suture wires;

a mandrel having a die surface corresponding to said multiple suture wires, wherein said body and mandrel are positioned relative to a first physiological vessel and a second physiological vessel such that at least a portion of said first physiological vessel and at least a portion of said second physiological vessel are positioned between said body and said mandrel, said suture wires are forced from said body through said at least a portion of said first physiological vessel, off said die surface and through said at least a portion of said second physiological vessel to form multiple sutures.

10. The apparatus of claim 9 further comprising means for removing said body from said first vessel and said second vessel.

- 23 -

11. The apparatus of claim 10 wherein said body removing means is a hinged opening.

12. The apparatus of claim 9 further comprising means for removing said mandrel from said first vessel and said second vessel.

13. The apparatus of claim 12 wherein said mandrel is inflatable and said mandrel removing means is a catheter connected to said mandrel.

14. A method for placing multiple sutures during anastomosis of physiological vessels, said method comprising:

providing an apparatus having a body containing multiple suture wires and a mandrel having a die surface;

positioning said apparatus relative to a first physiological vessel and a second physiological vessel, such that at least a portion of said first physiological vessel and at least a portion of said second physiological vessel are contained between said body and said mandrel; and

placing multiple sutures by forcing said multiple suture wires from said body through said at least a portion of said first physiological vessel, off said die surface of said mandrel, and through said at least a portion of said second physiological vessel to form multiple sutures.

15. The method of claim 14 further comprising the method step of removing said body from said first physiological vessel and said second physiological vessel.

16. The method of claim 14 further comprising the method step of removing said mandrel from said first physiological vessel and said second physiological vessel.

17. A method for placing multiple sutures during anastomosis of physiological vessels, said method comprising:

providing a crown comprising:

a plurality of strands, each strand of said plurality of strands having a first end and a second

- 25 -

end, each said strand having a first portion adjacent said first end and said second end, respectively;

at least one circular band joining together said plurality of strands adjacent said first portion of each said strand; and

each said strand forming a hook adjacent said second end with a point at said second end;

attaching a first physiological vessel to said crown by placing said first vessel within said crown and everting one end of said first vessel over said hooks; and

attaching a second physiological vessel to said crown such that said first physiological vessel and said second physiological vessel are substantially joined to one another.

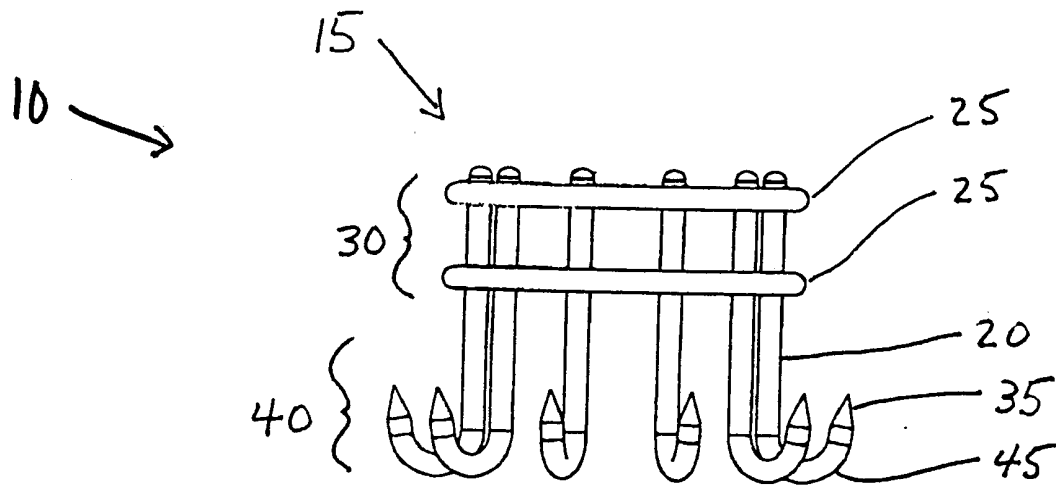


FIG. 1A

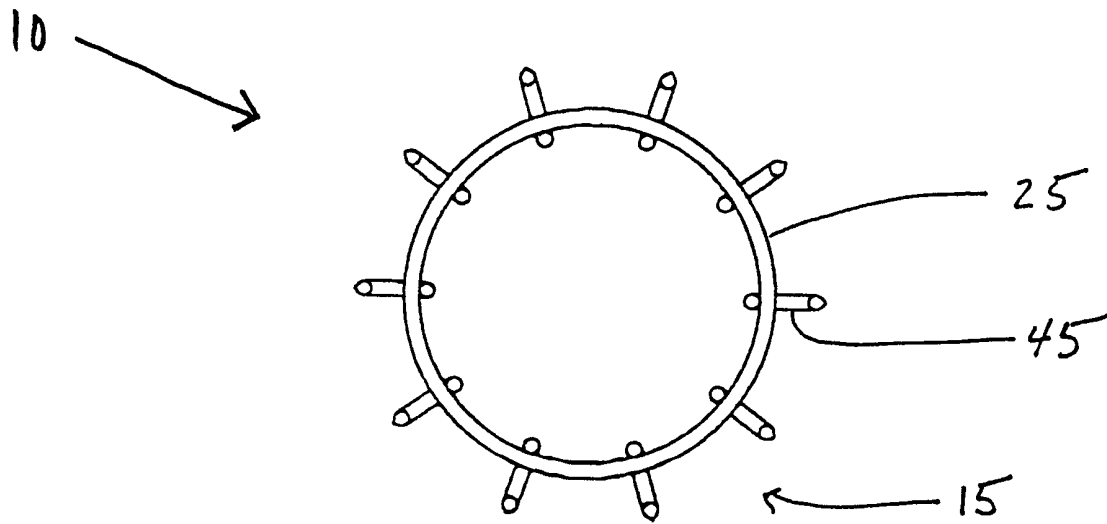
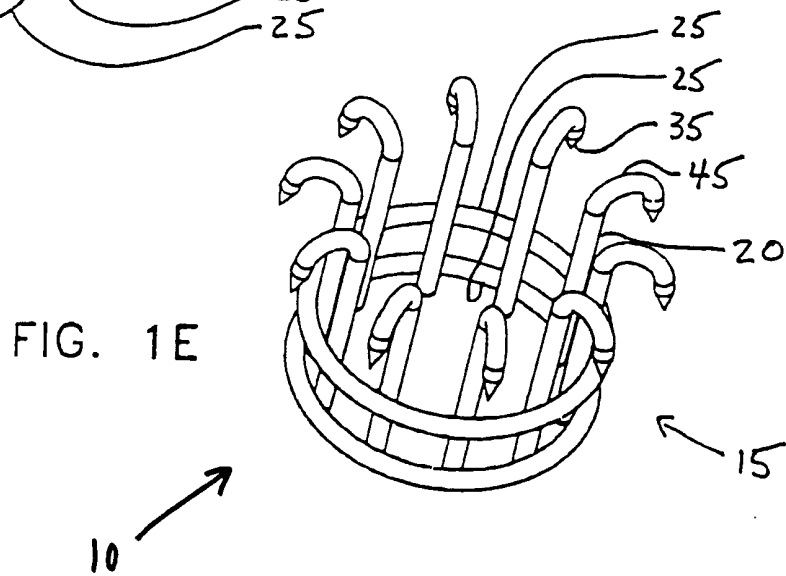
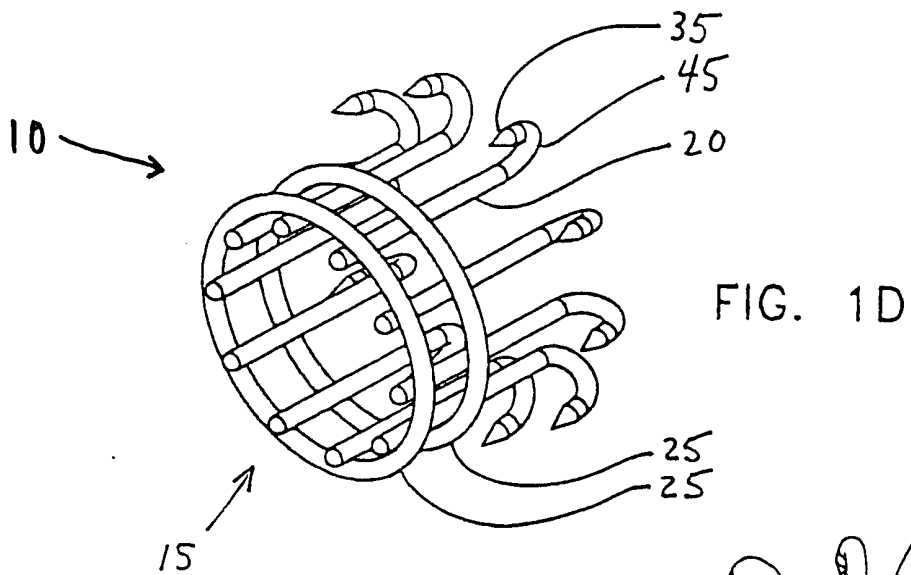
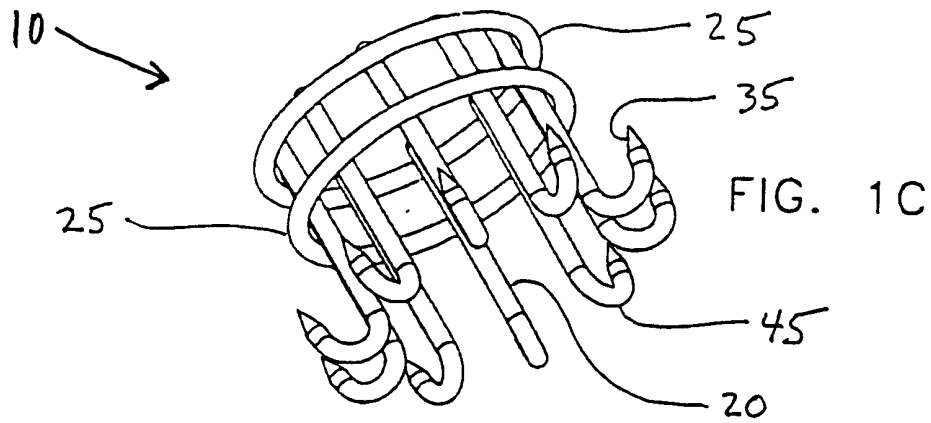


FIG. 1B



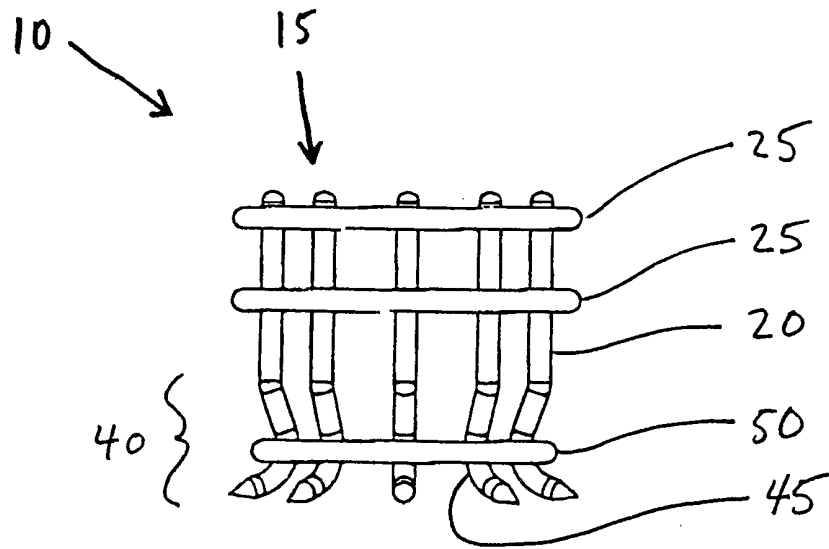


FIG. 2A

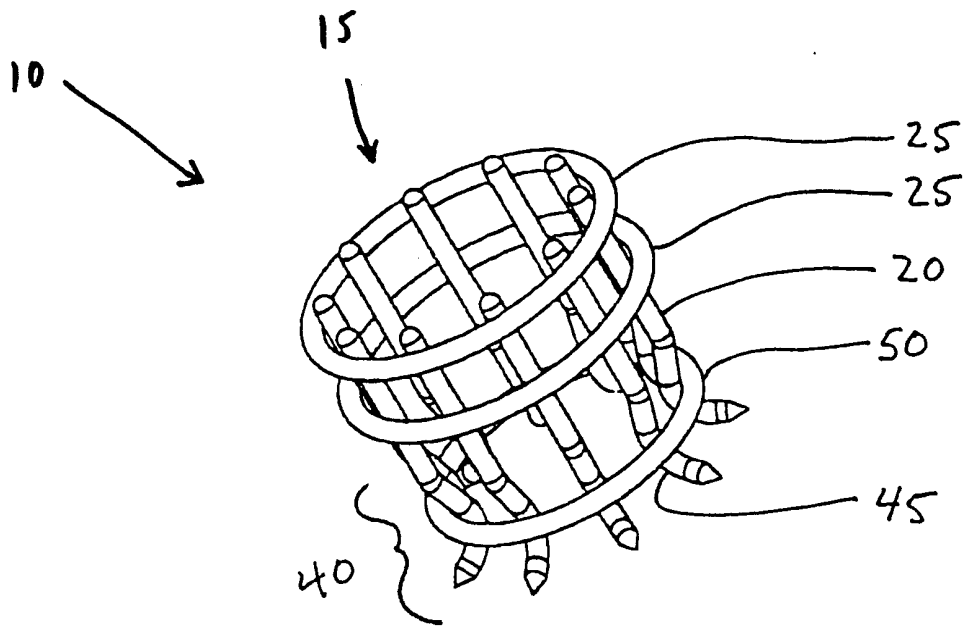


FIG. 2B

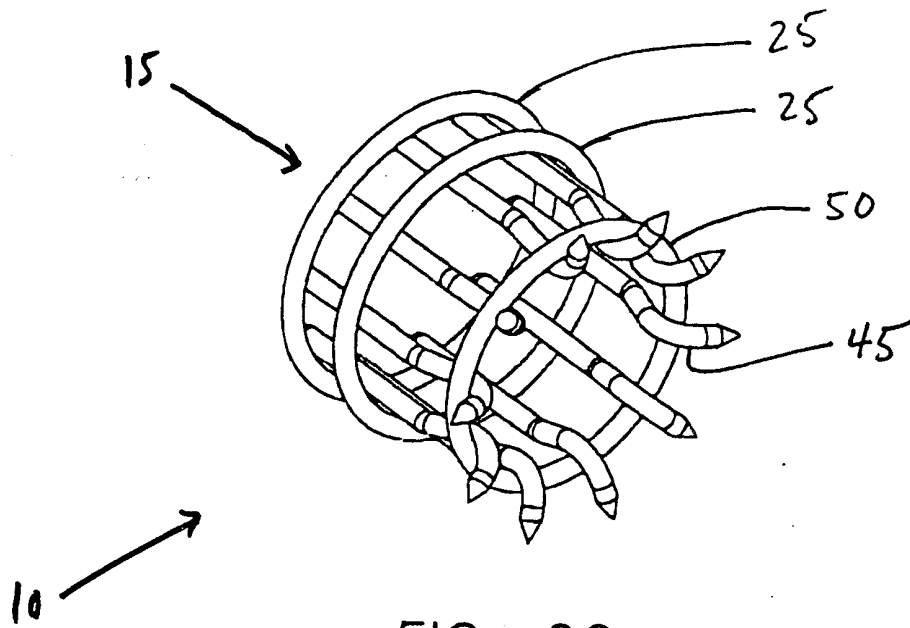


FIG. 2C

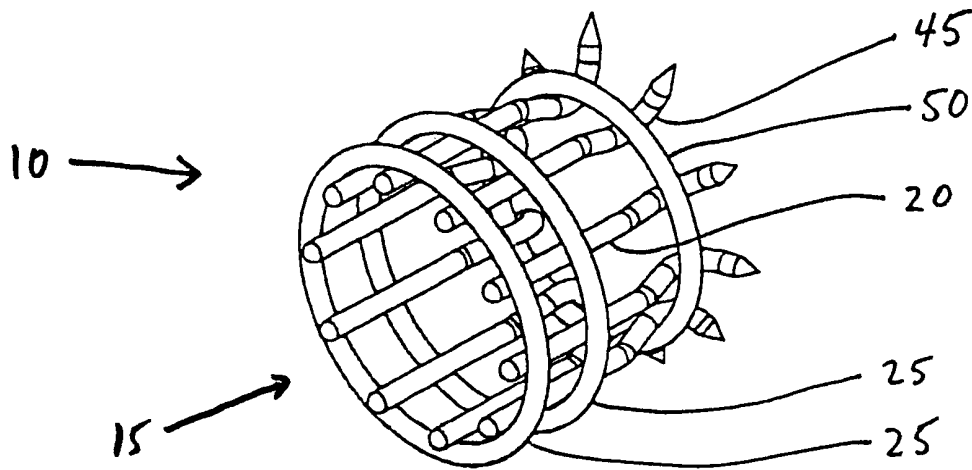


FIG. 2D

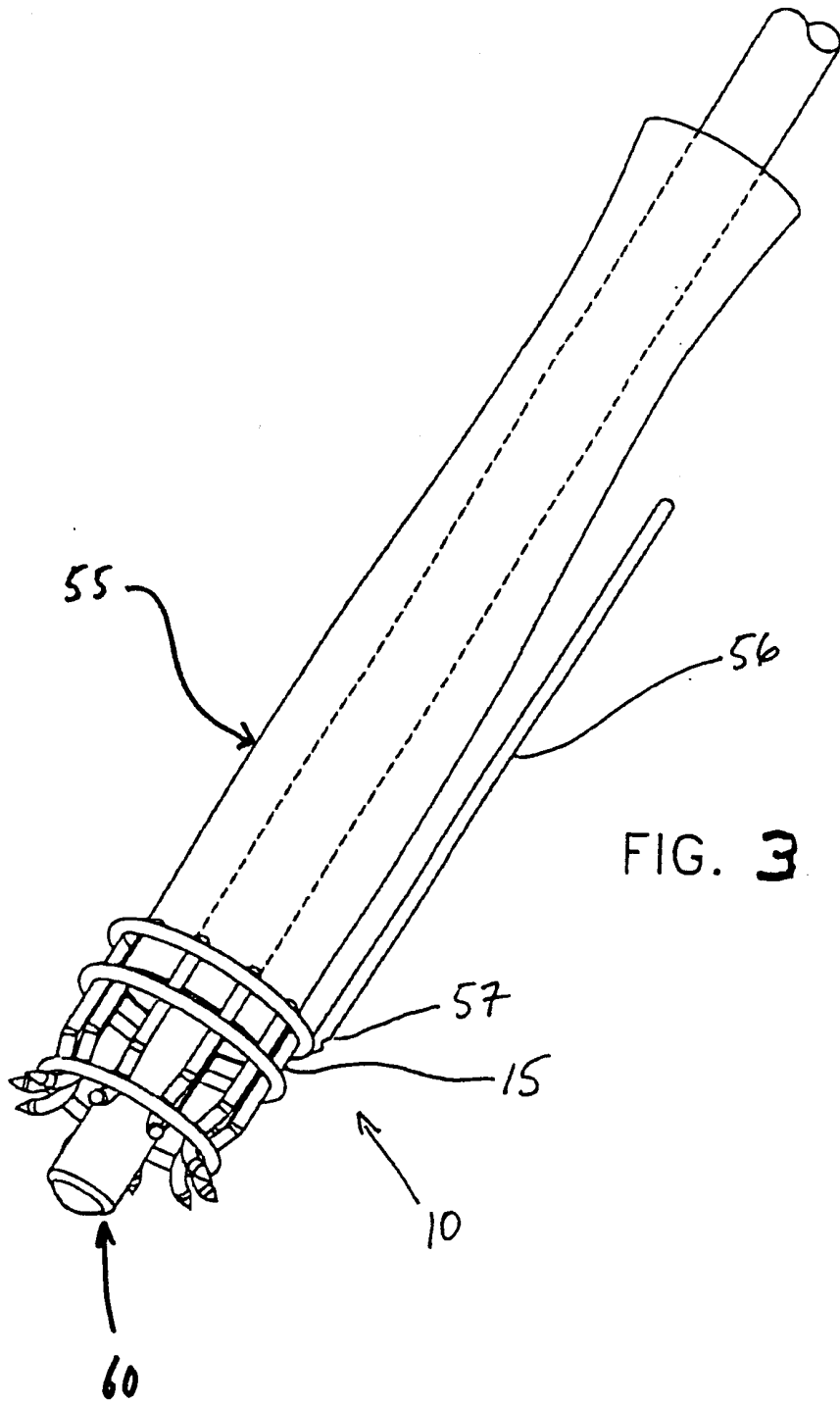


FIG. 3

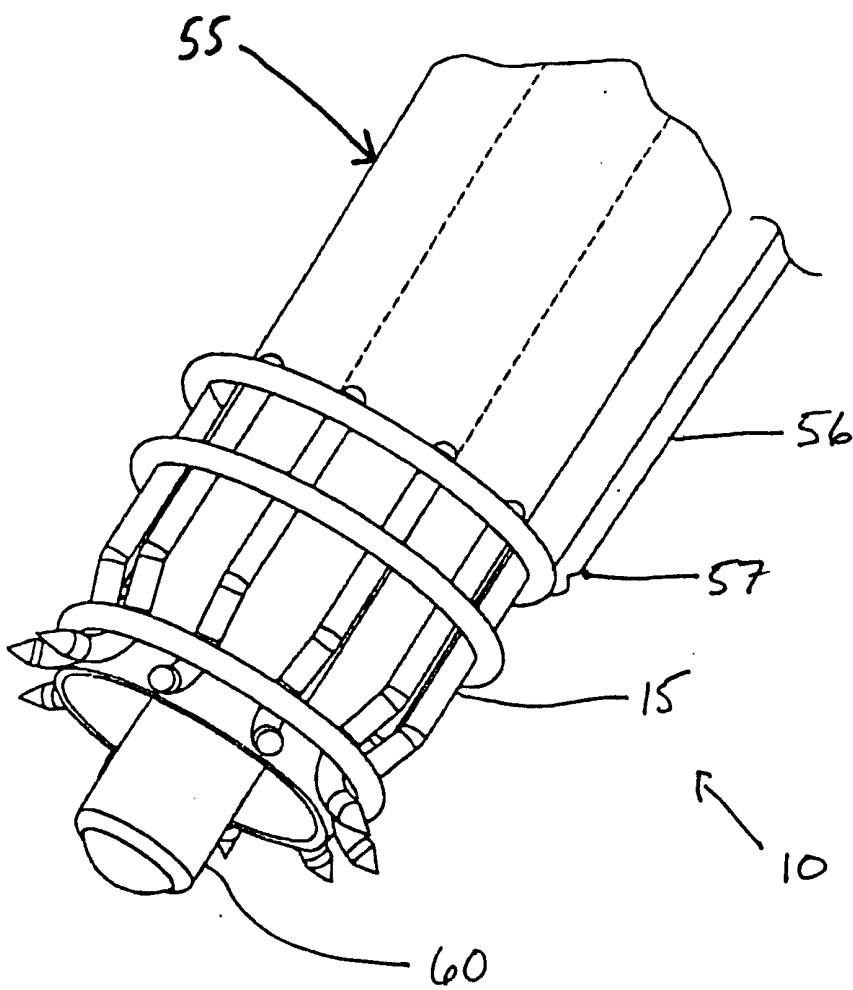


FIG. 4A

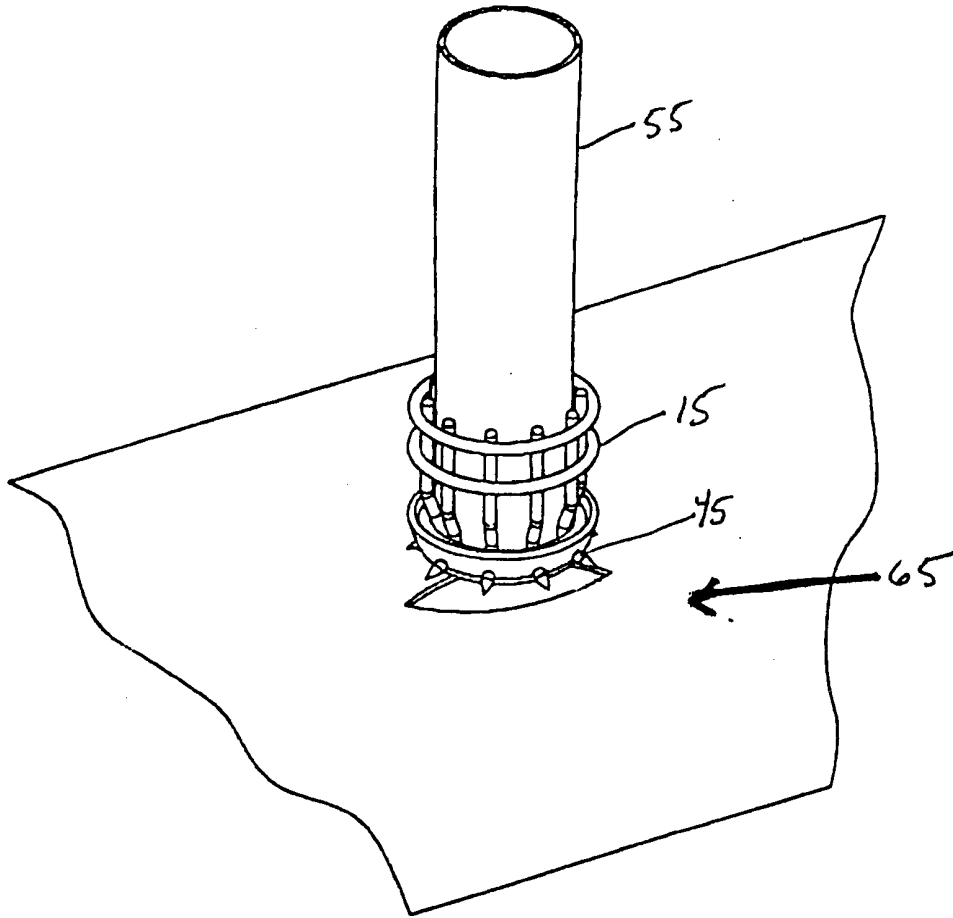


FIG. 4B

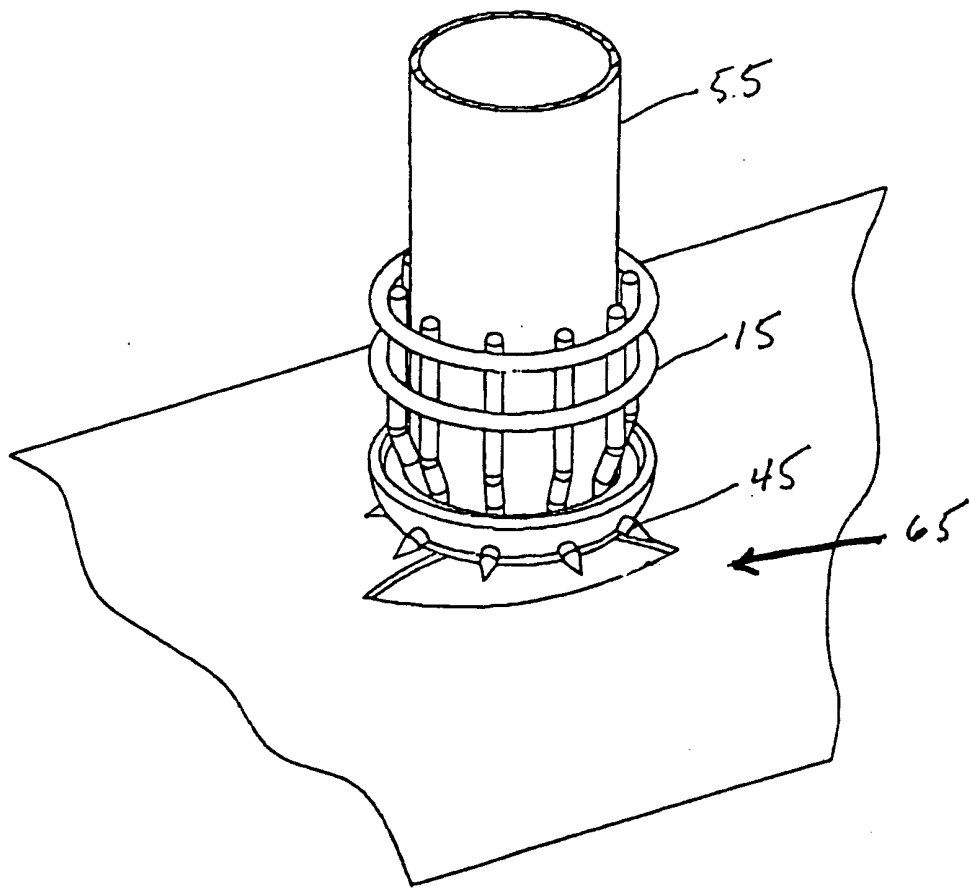


FIG. 4C

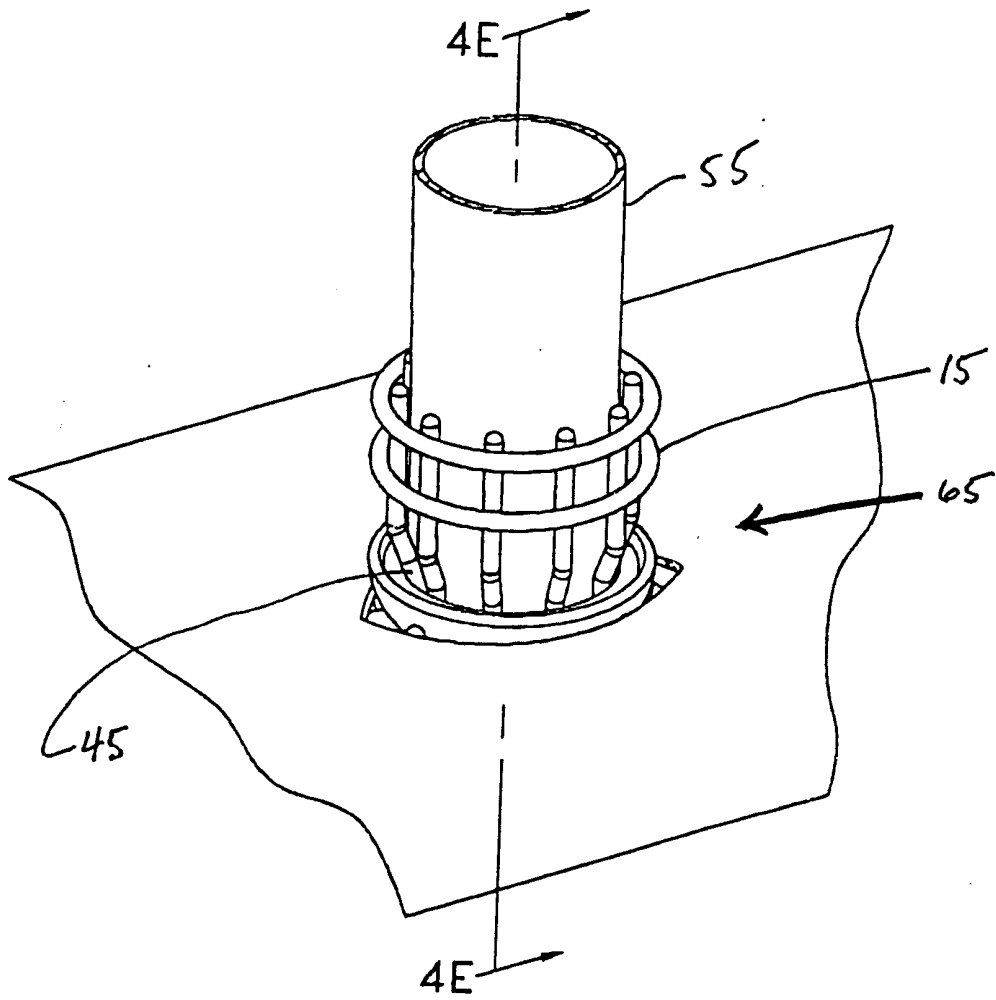


FIG. 4D

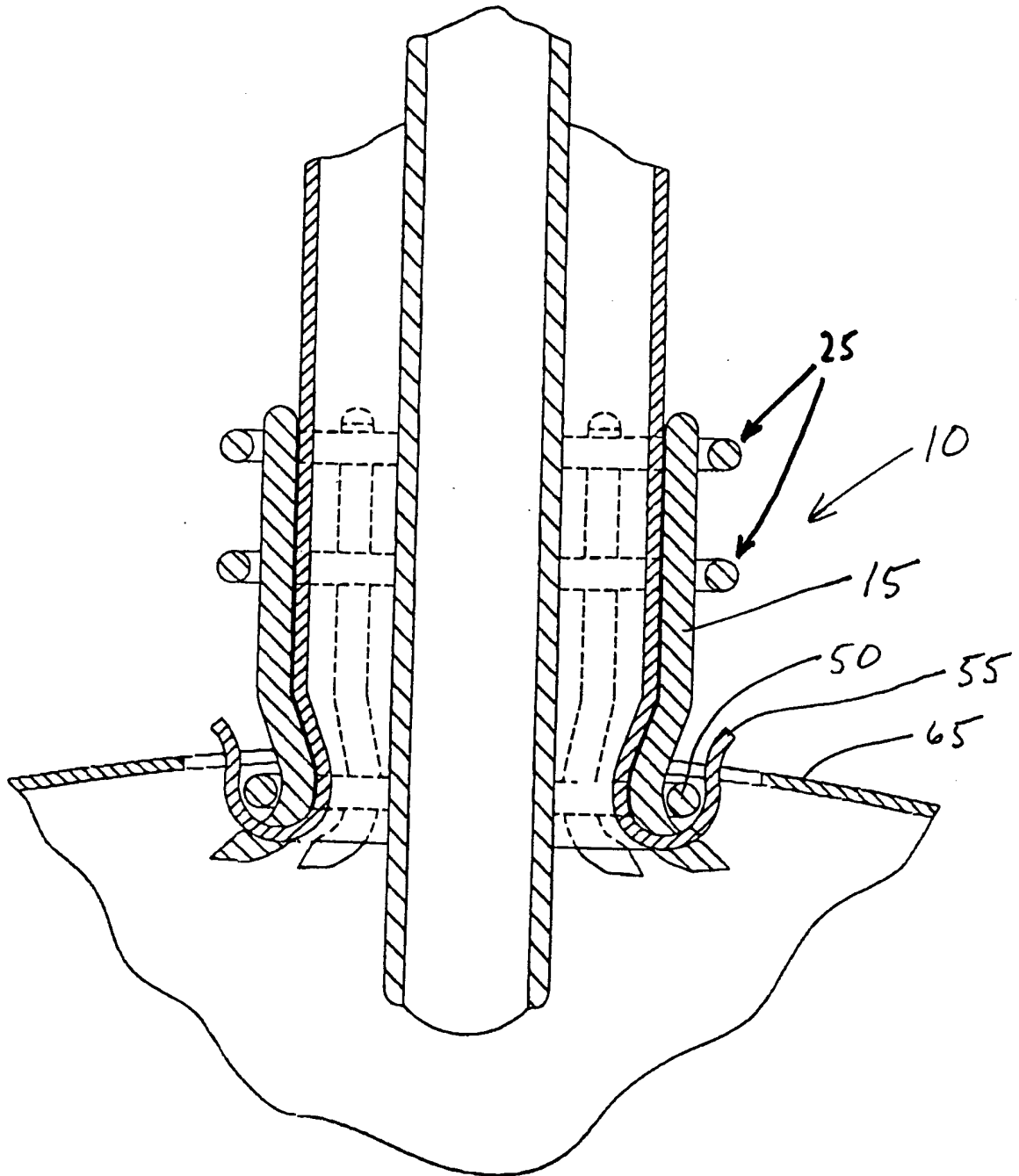


FIG. 4E

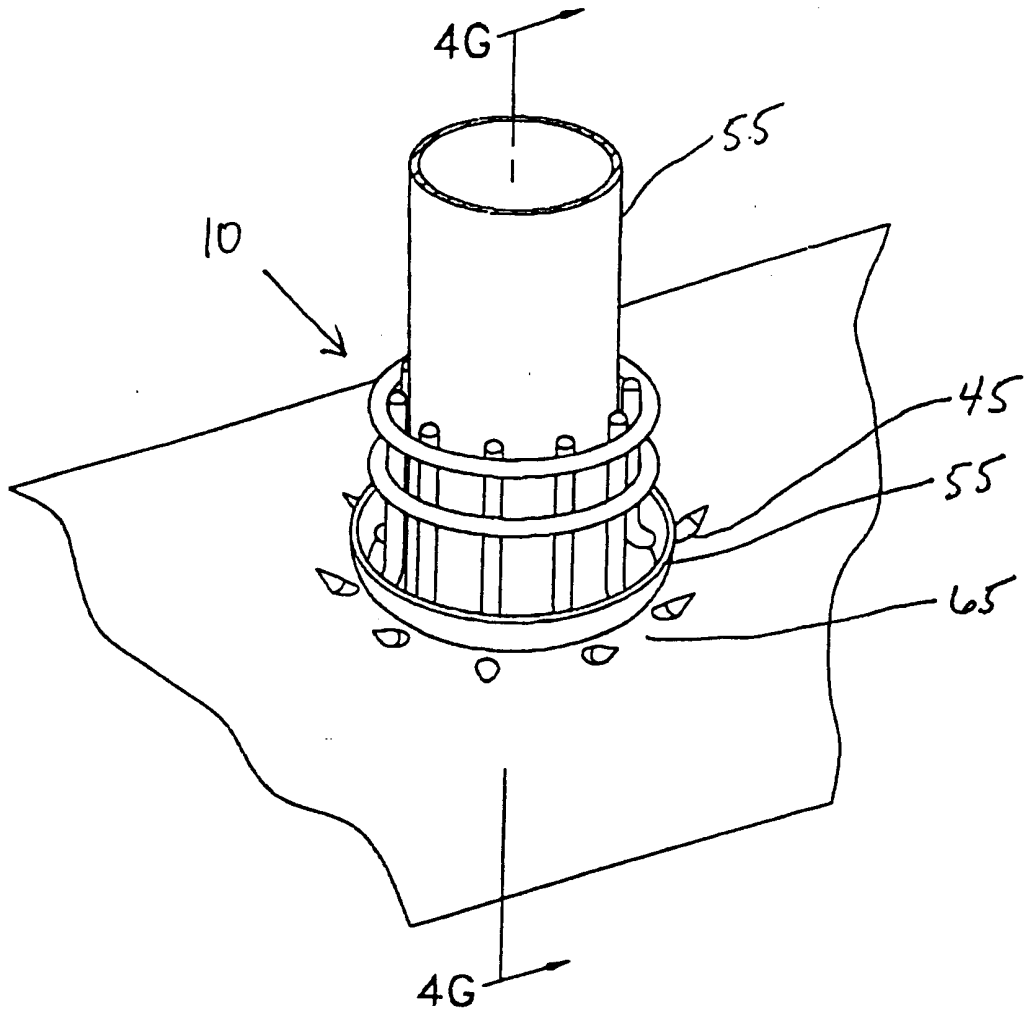


FIG. 4F

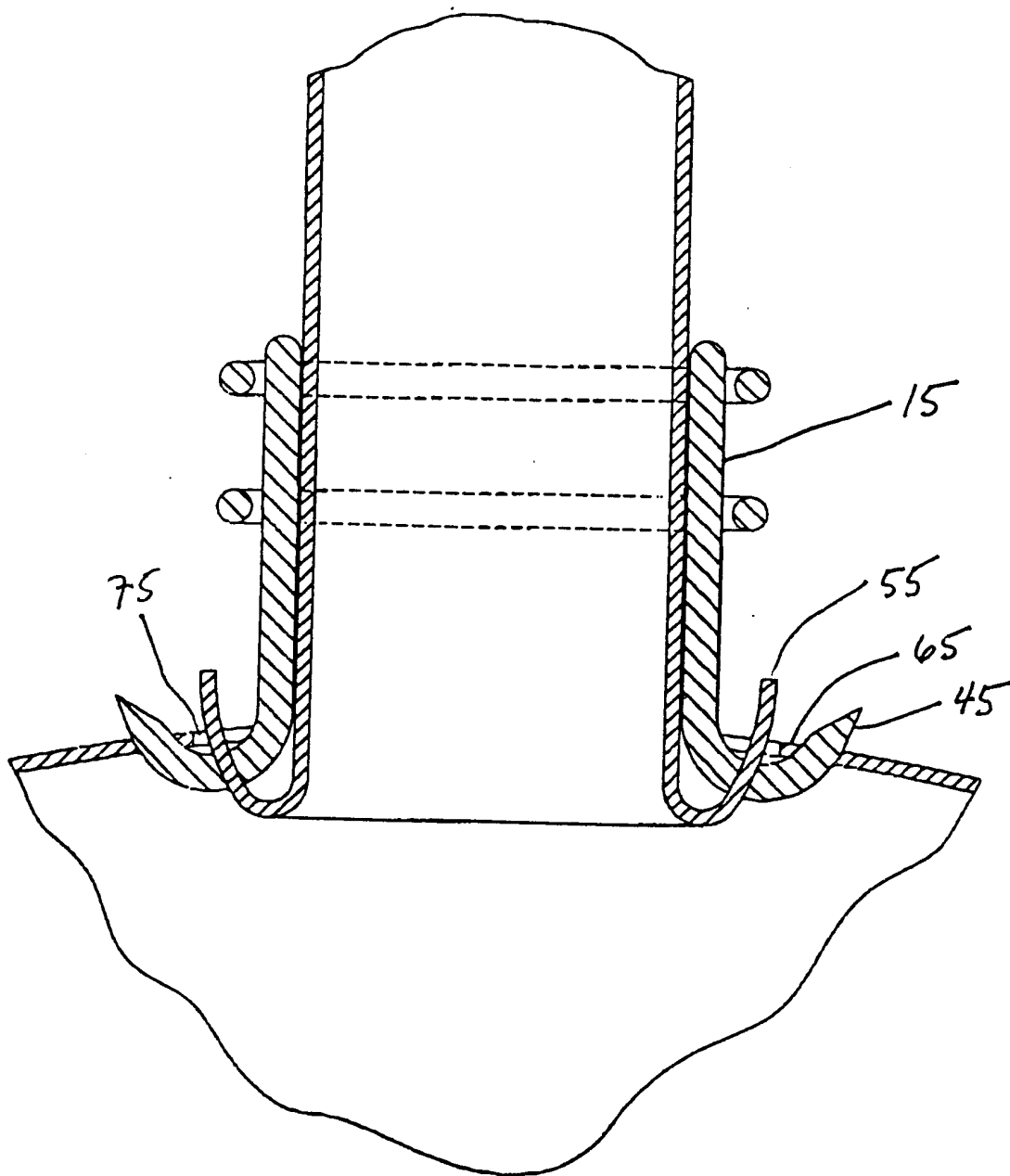


FIG. 4G

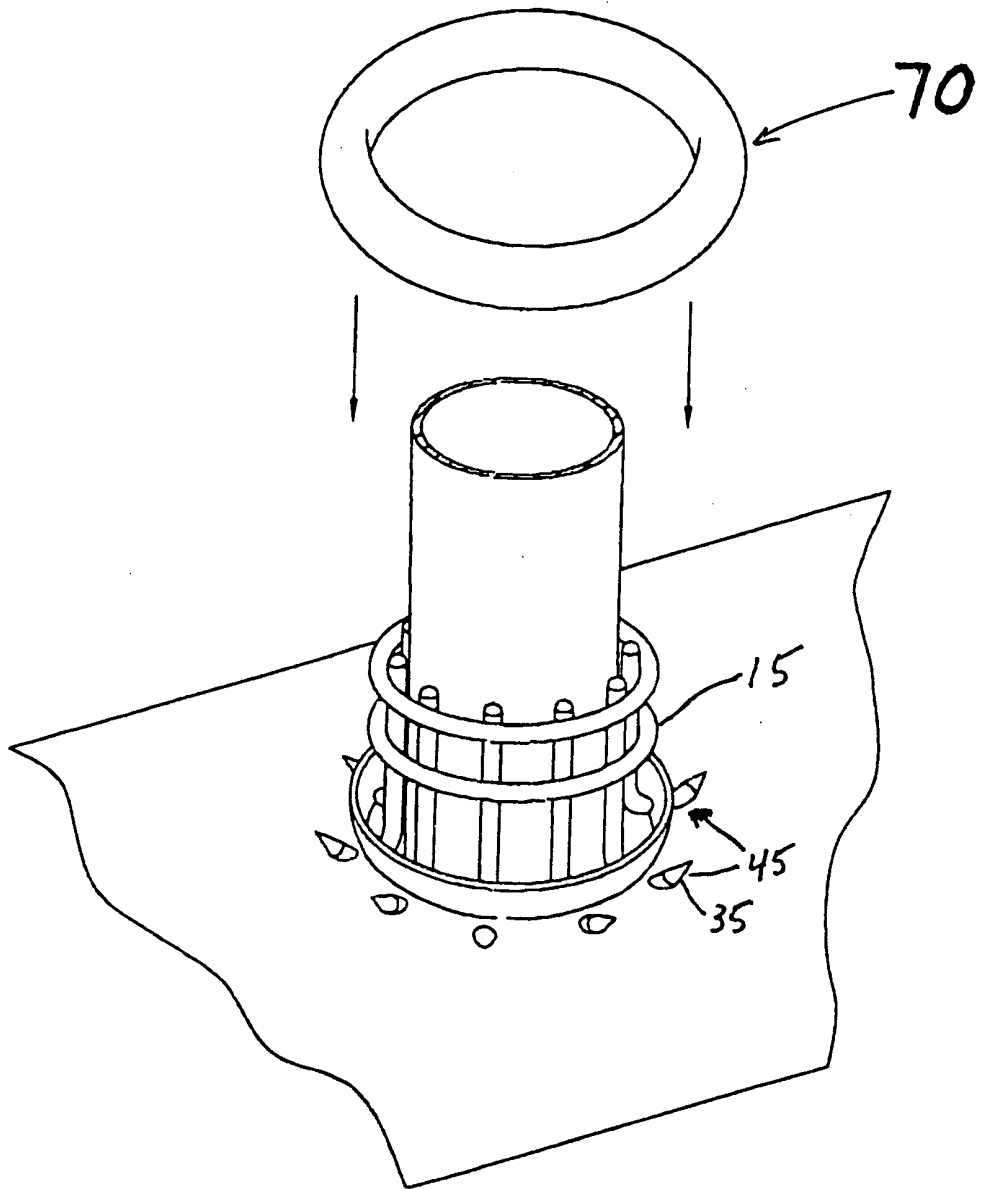


FIG. 4H

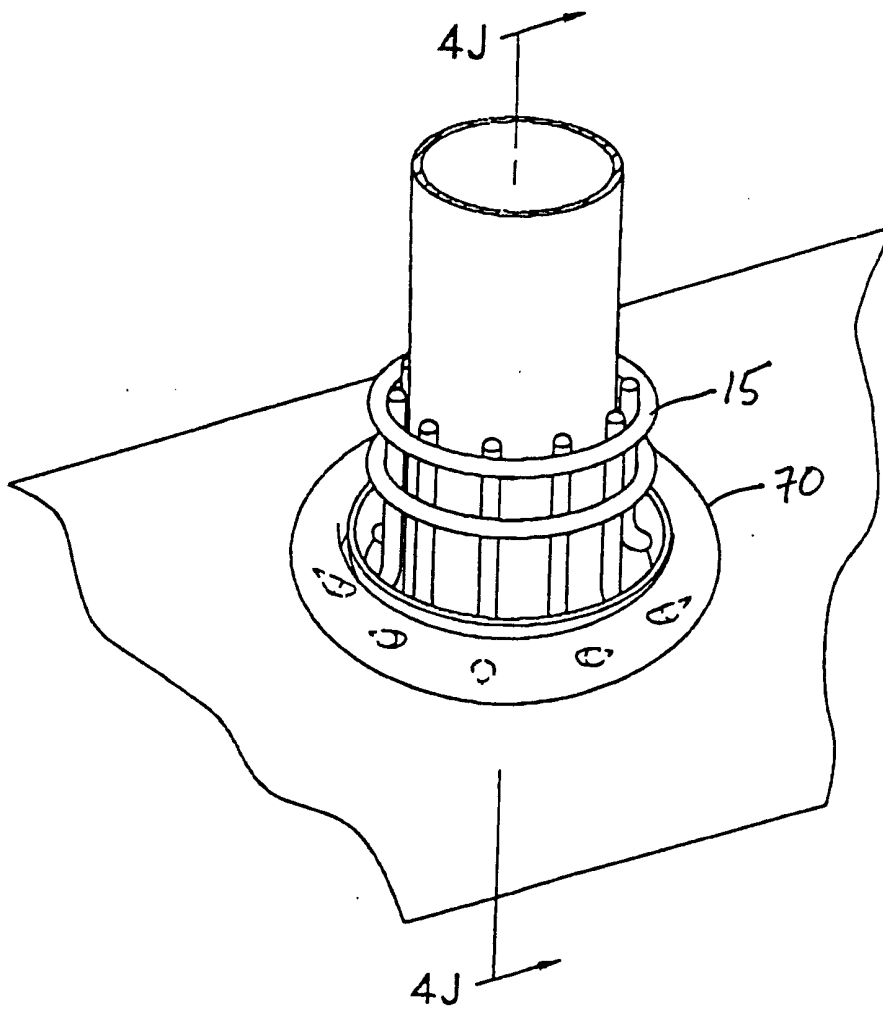


FIG. 4I

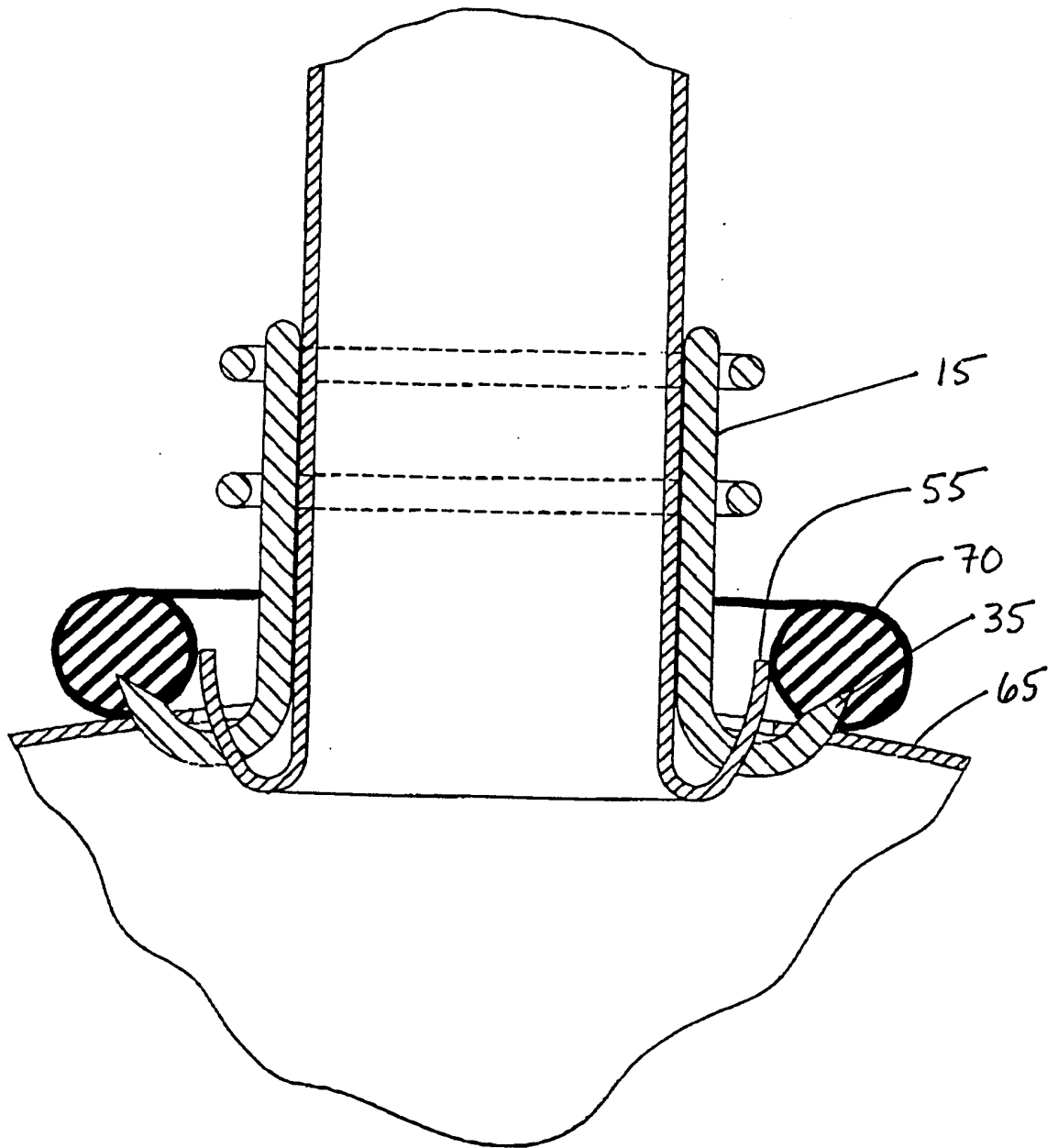


FIG. 4J

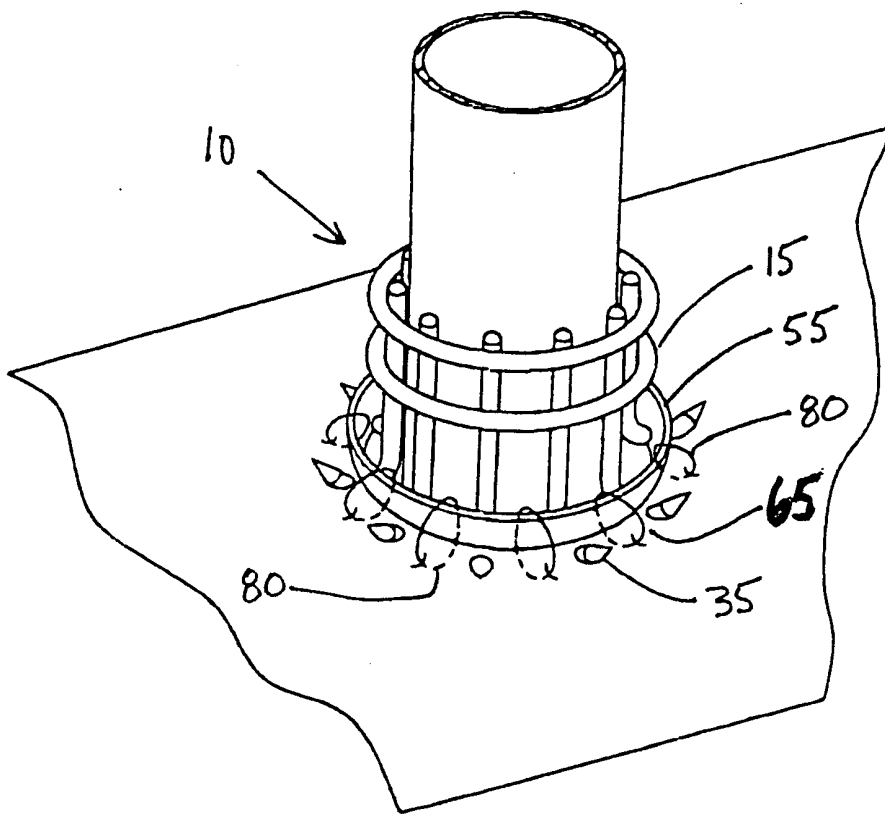


FIG. 4K

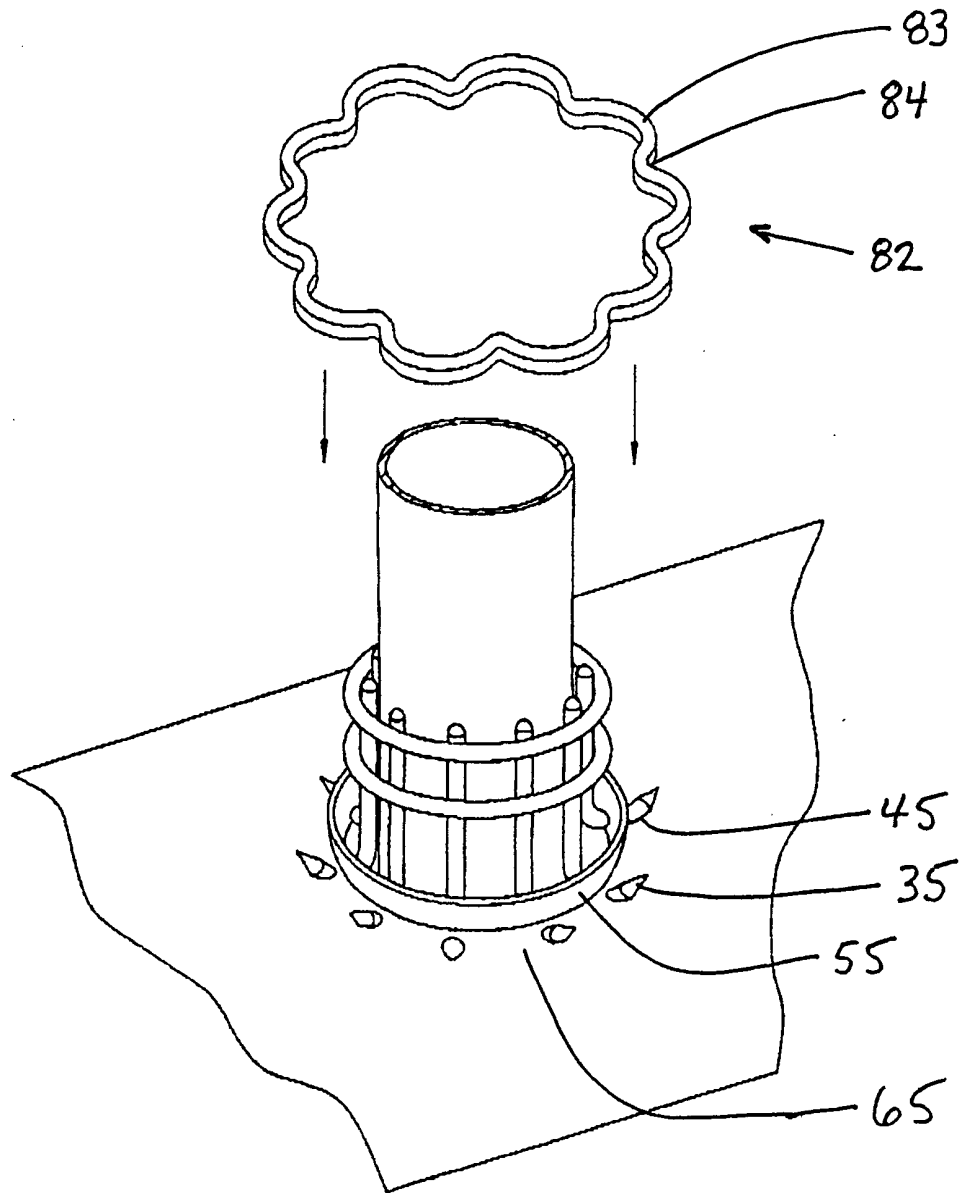


FIG. 4L

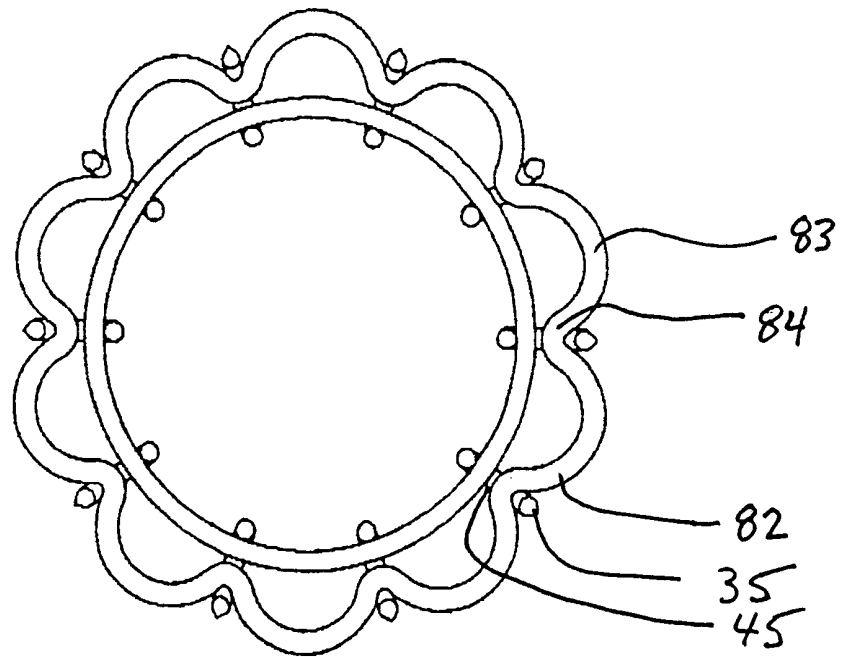


FIG. 4M

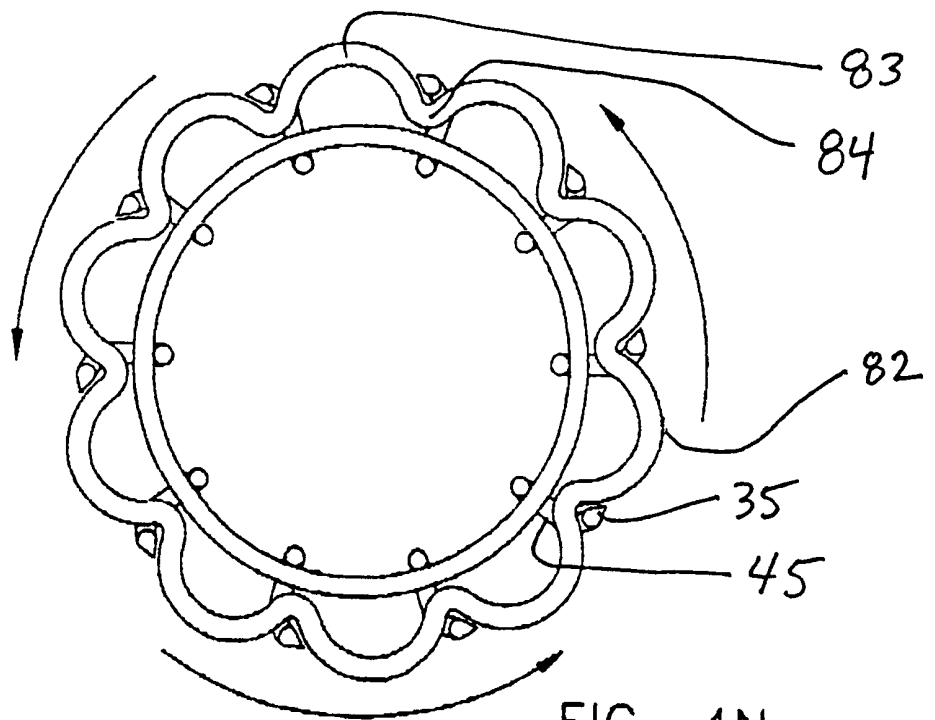


FIG. 4N

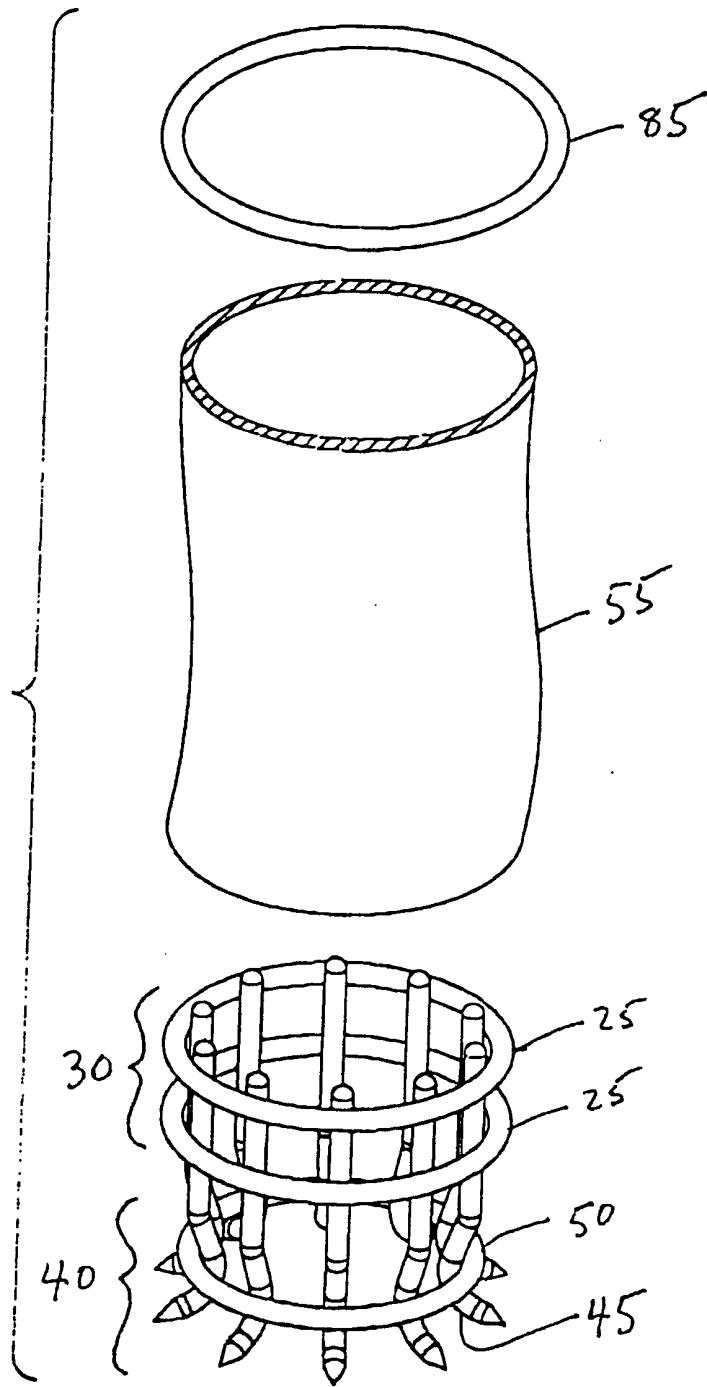


FIG. 5A

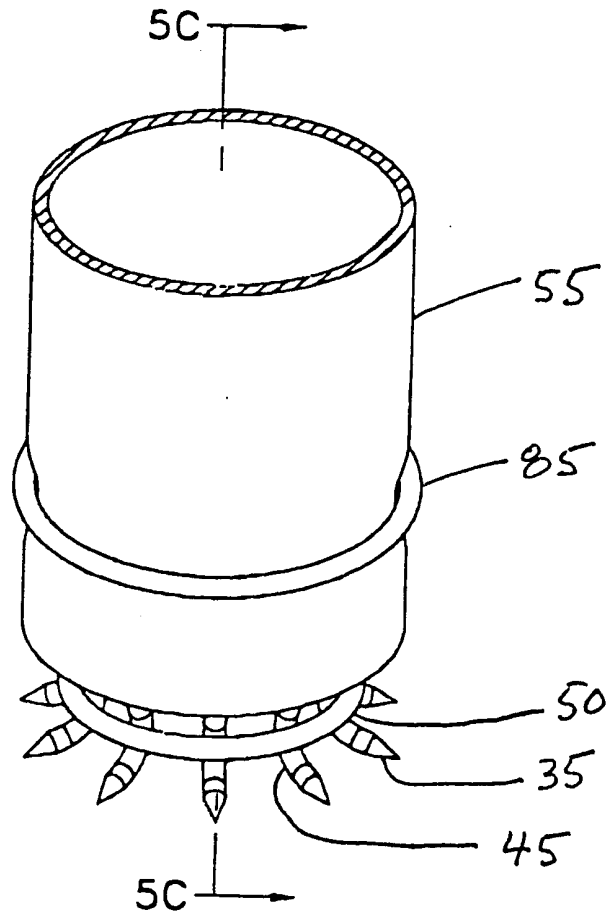


FIG. 5B

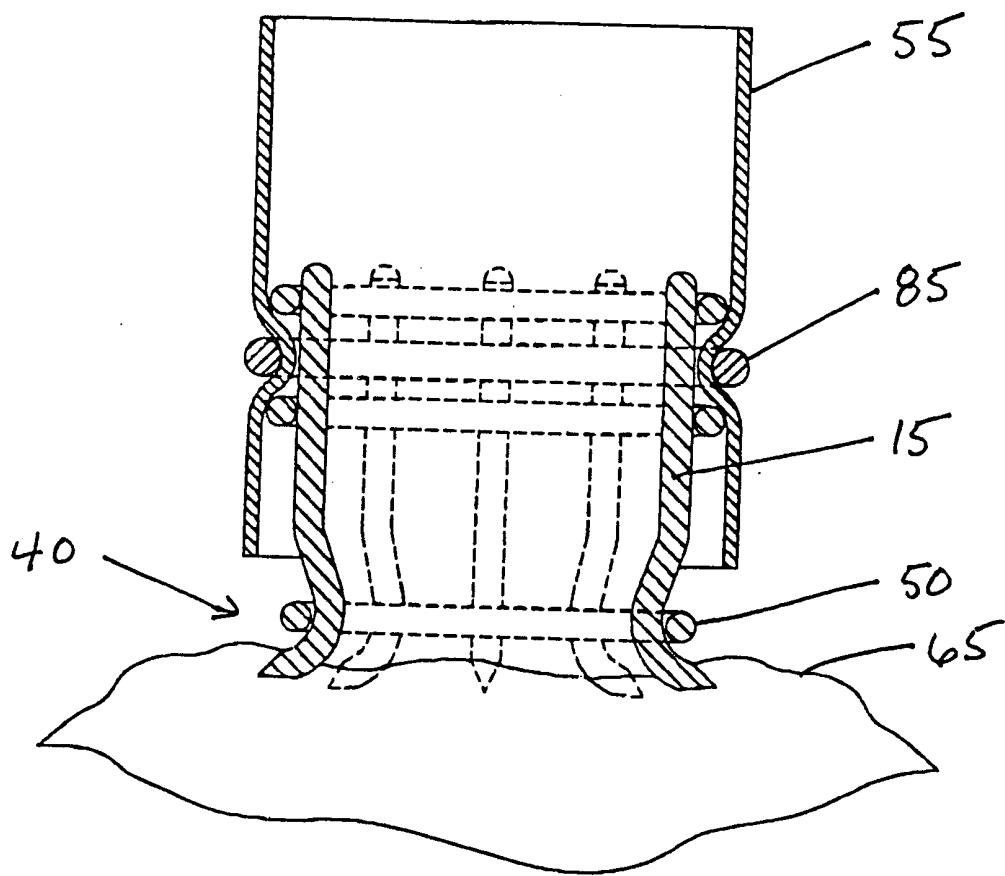


FIG. 5C

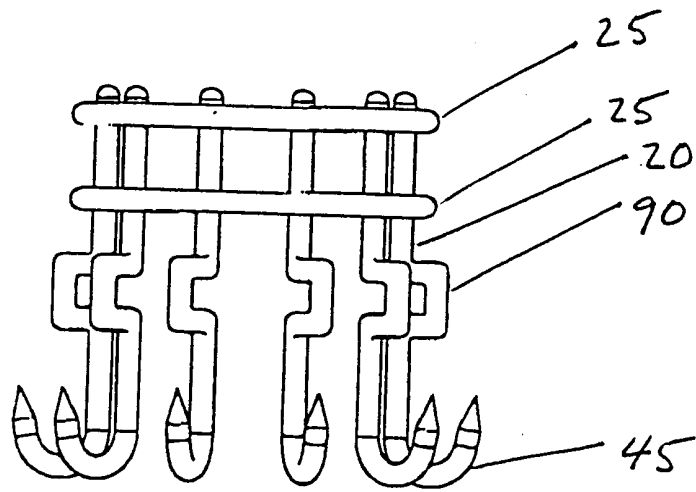


FIG. 6A

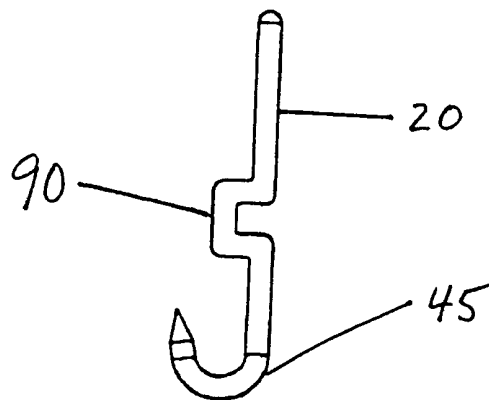


FIG. 6B

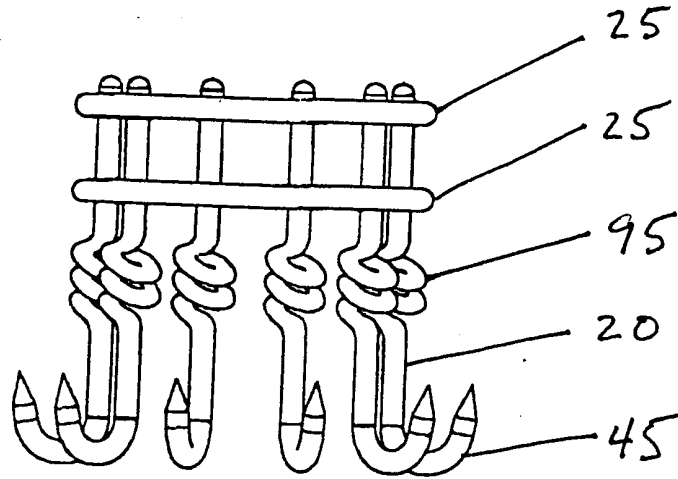


FIG. 7A

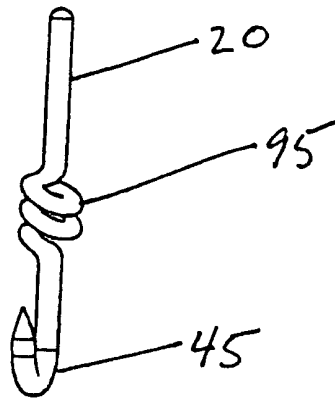


FIG. 7B

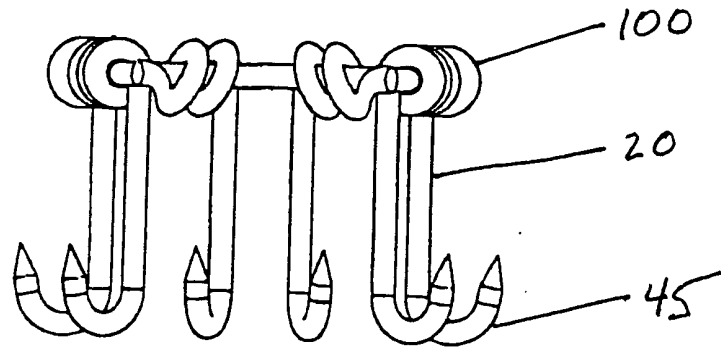


FIG. 8A

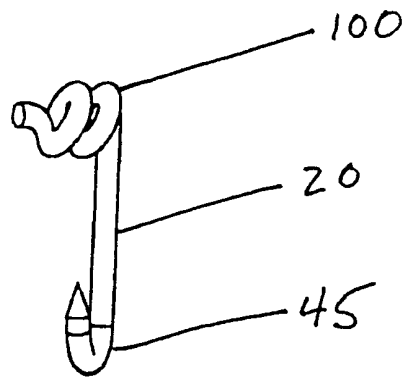


FIG. 8B

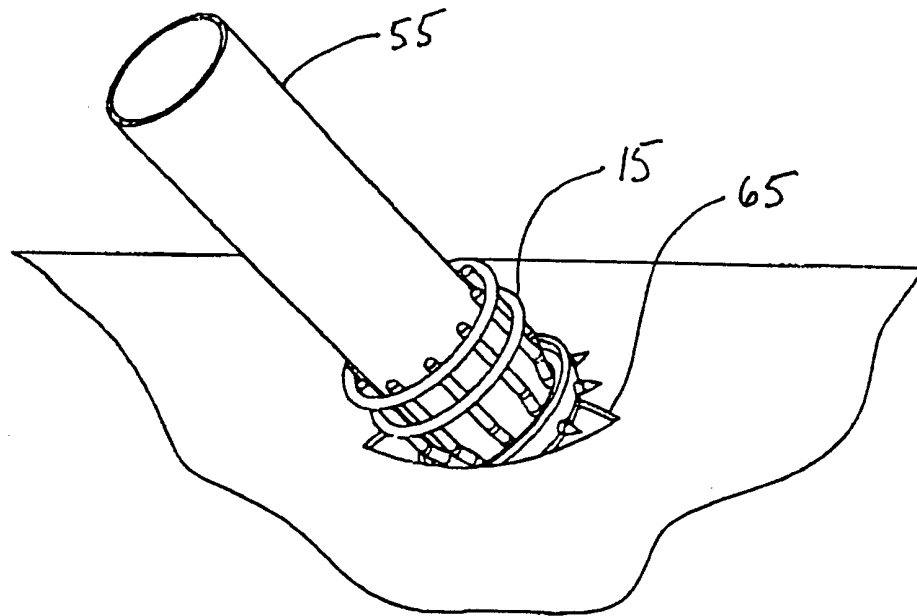


FIG. 9

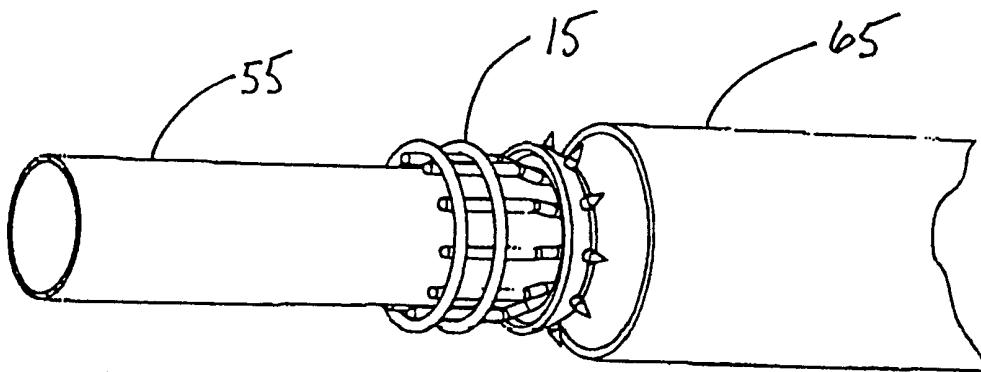


FIG. 10

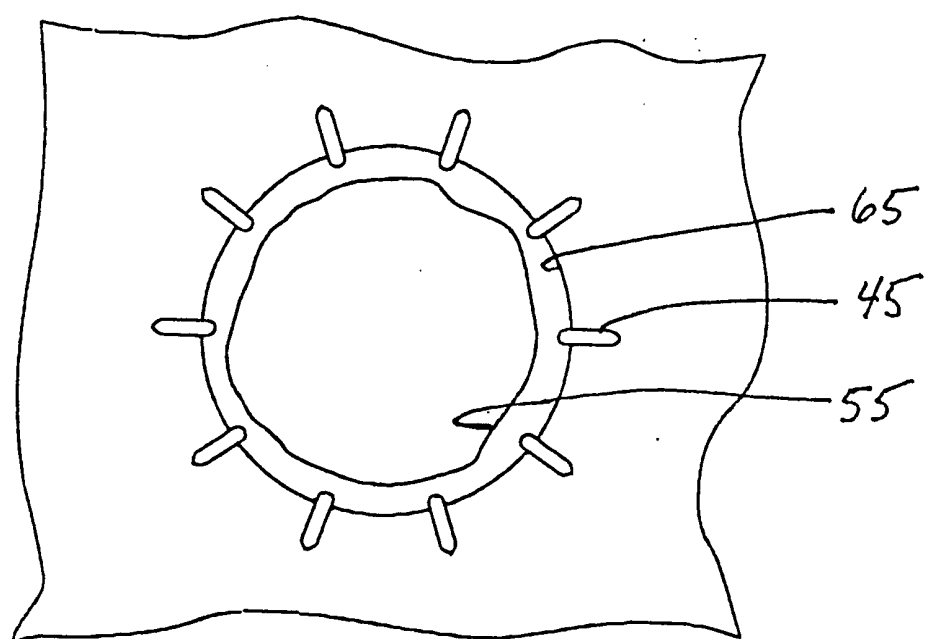


FIG. 11

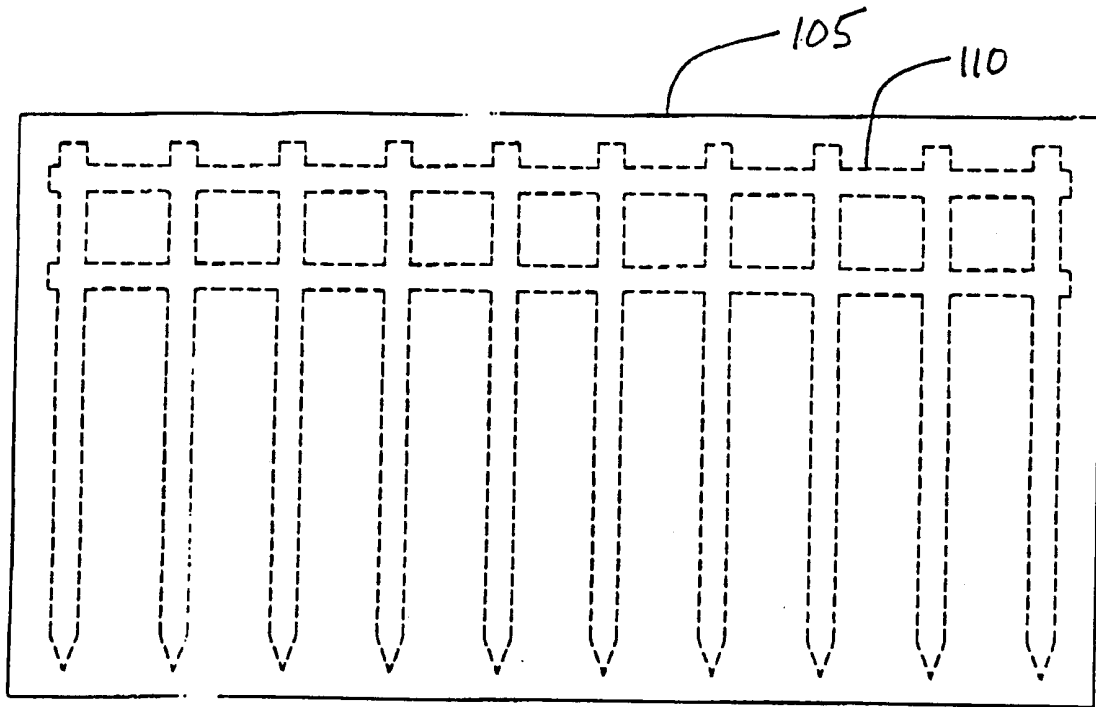


FIG. 12A

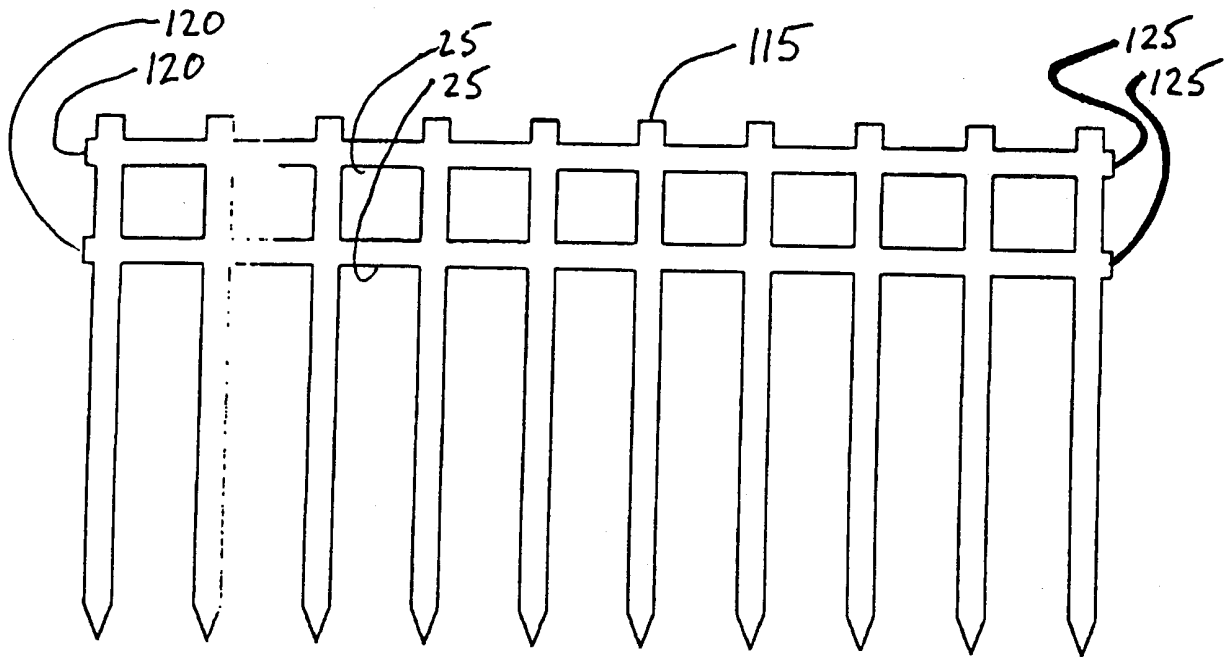


FIG. 12B

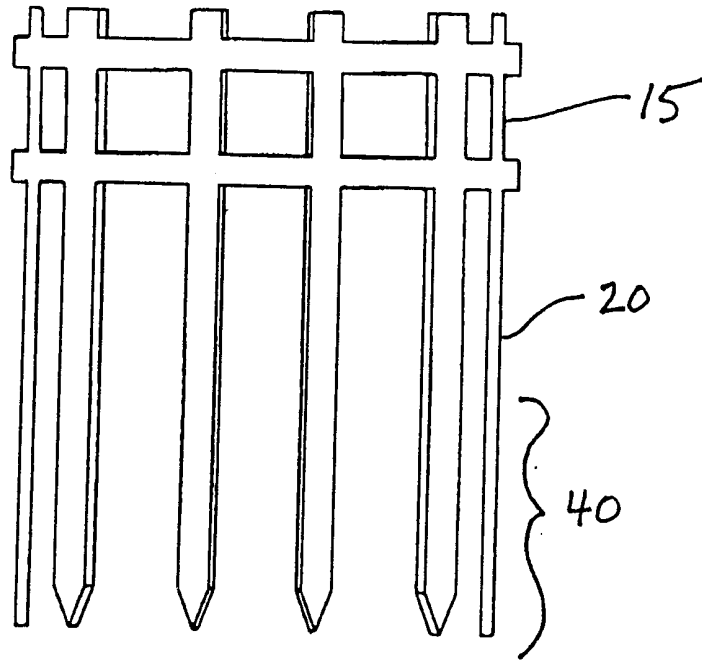


FIG. 12C

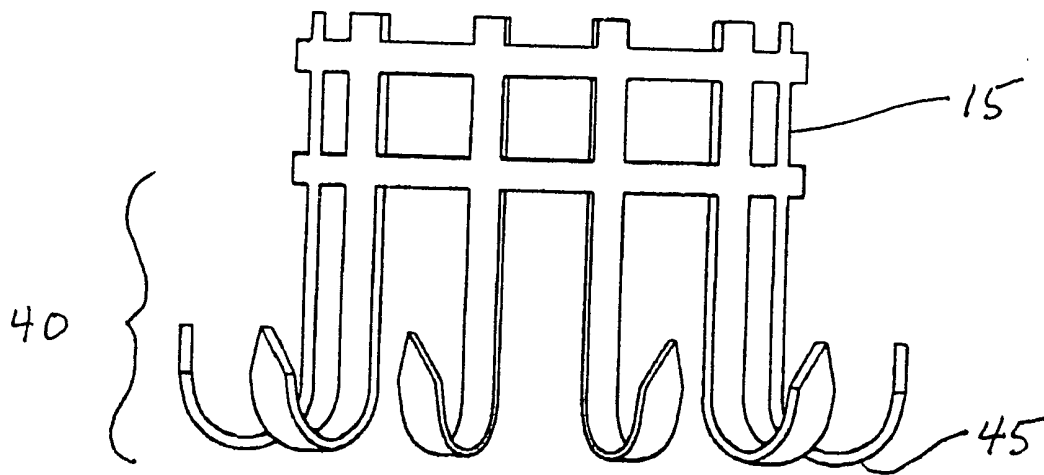


FIG. 12D

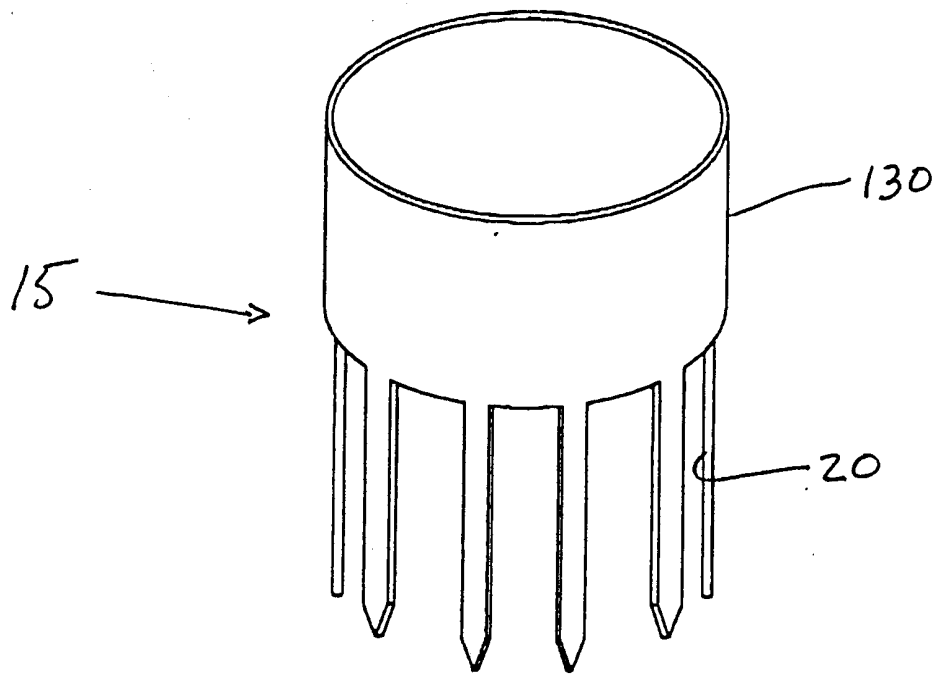


FIG. 13A

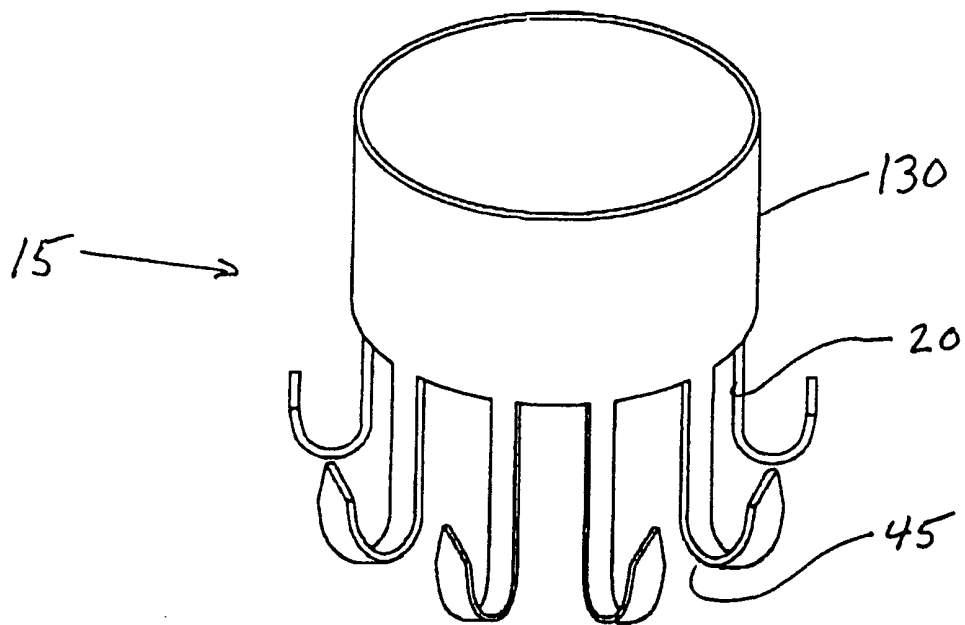


FIG. 13B

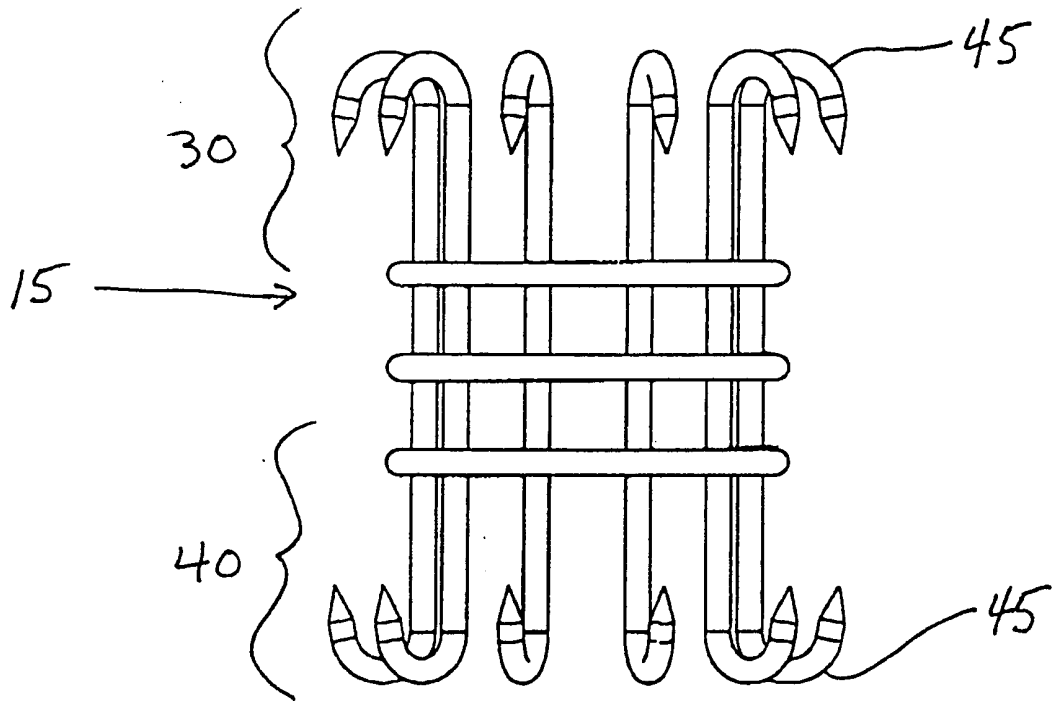


FIG. 14 A

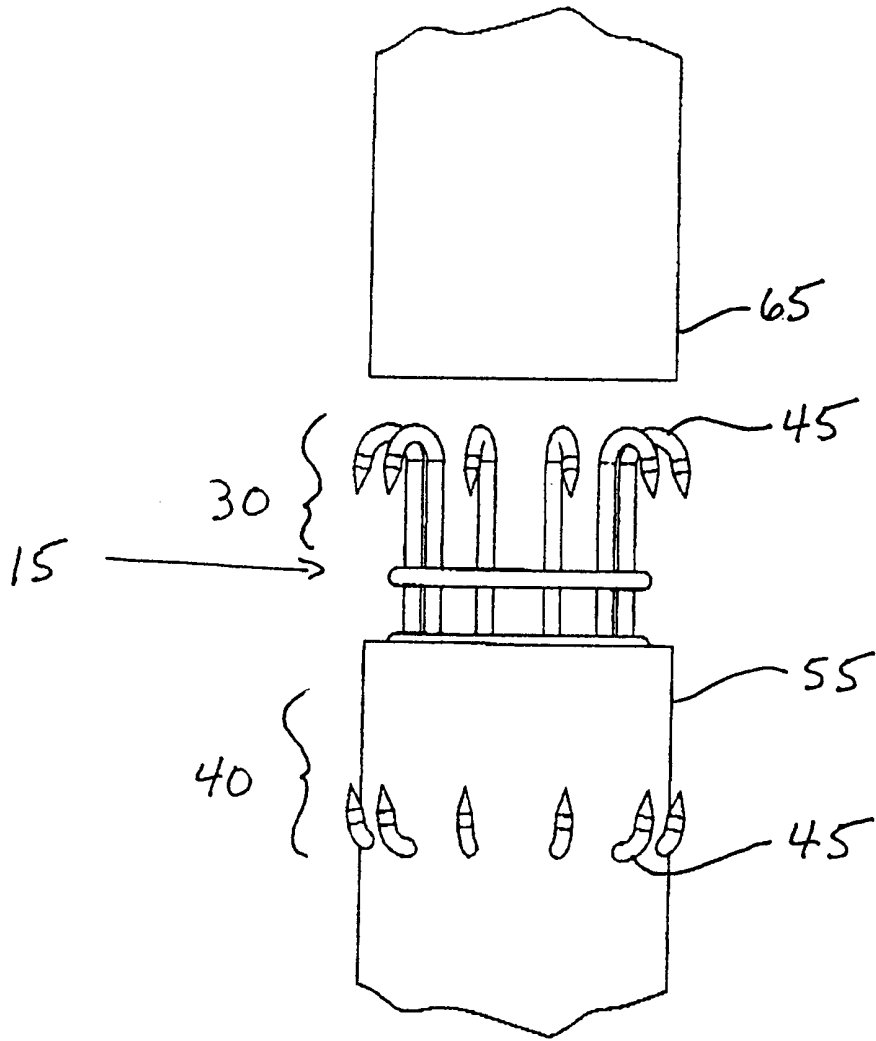


FIG. 14B

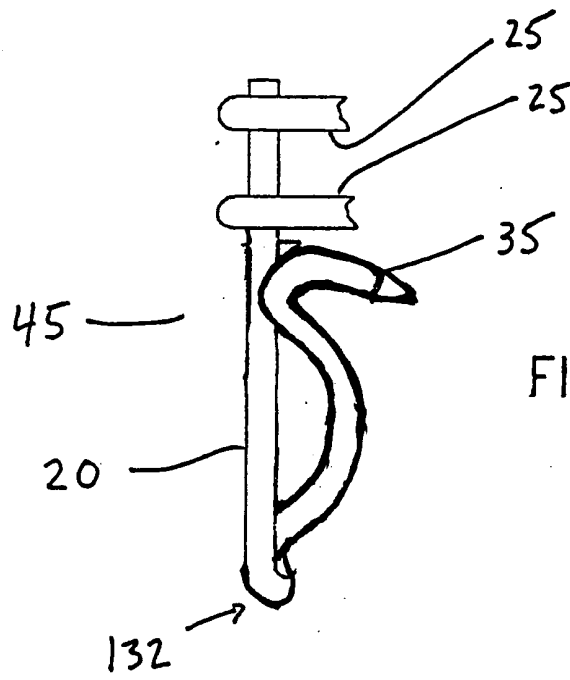


FIG. 15B

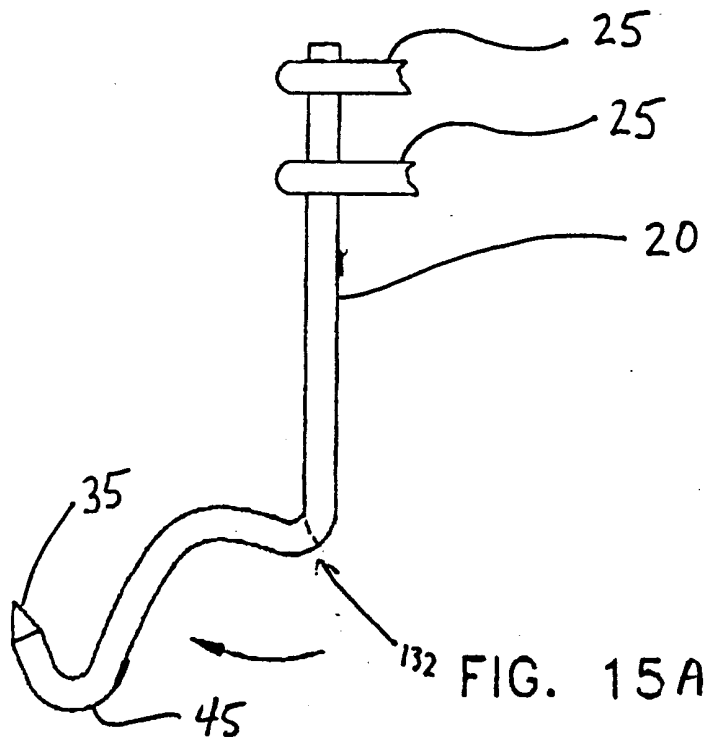


FIG. 15A

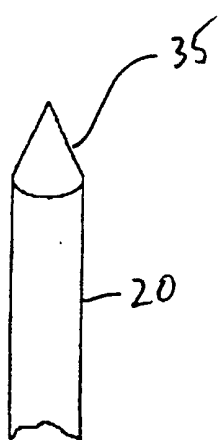


FIG. 16

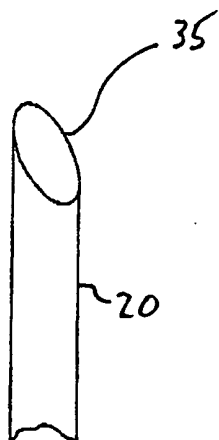


FIG. 17

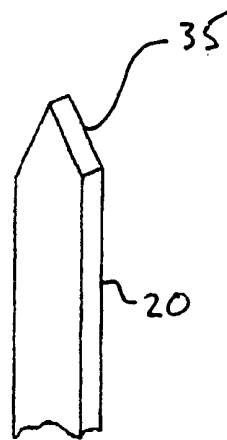


FIG. 18

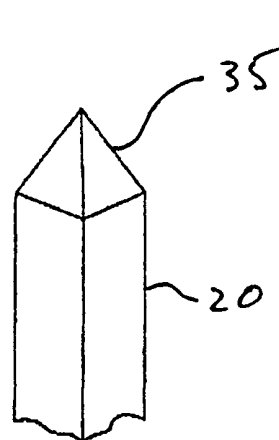


FIG. 19

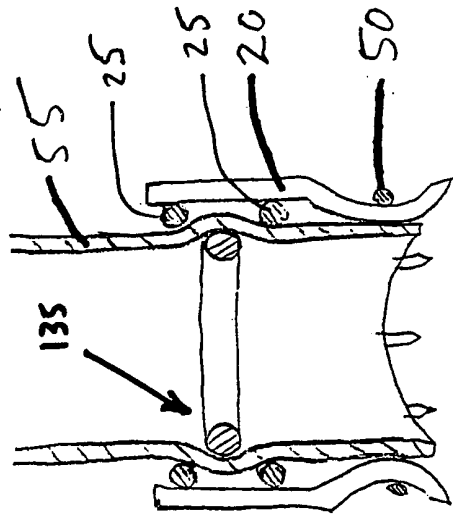
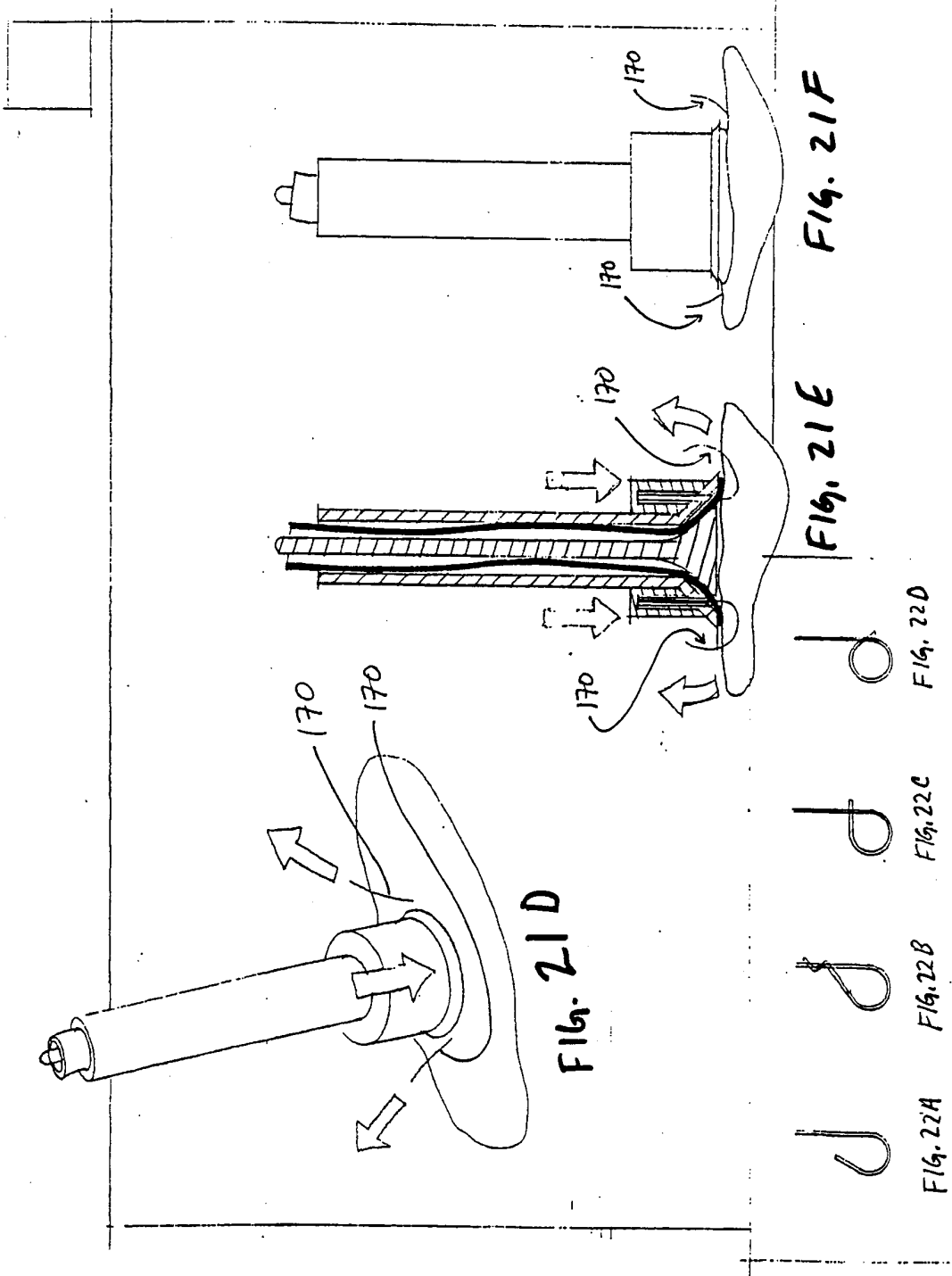
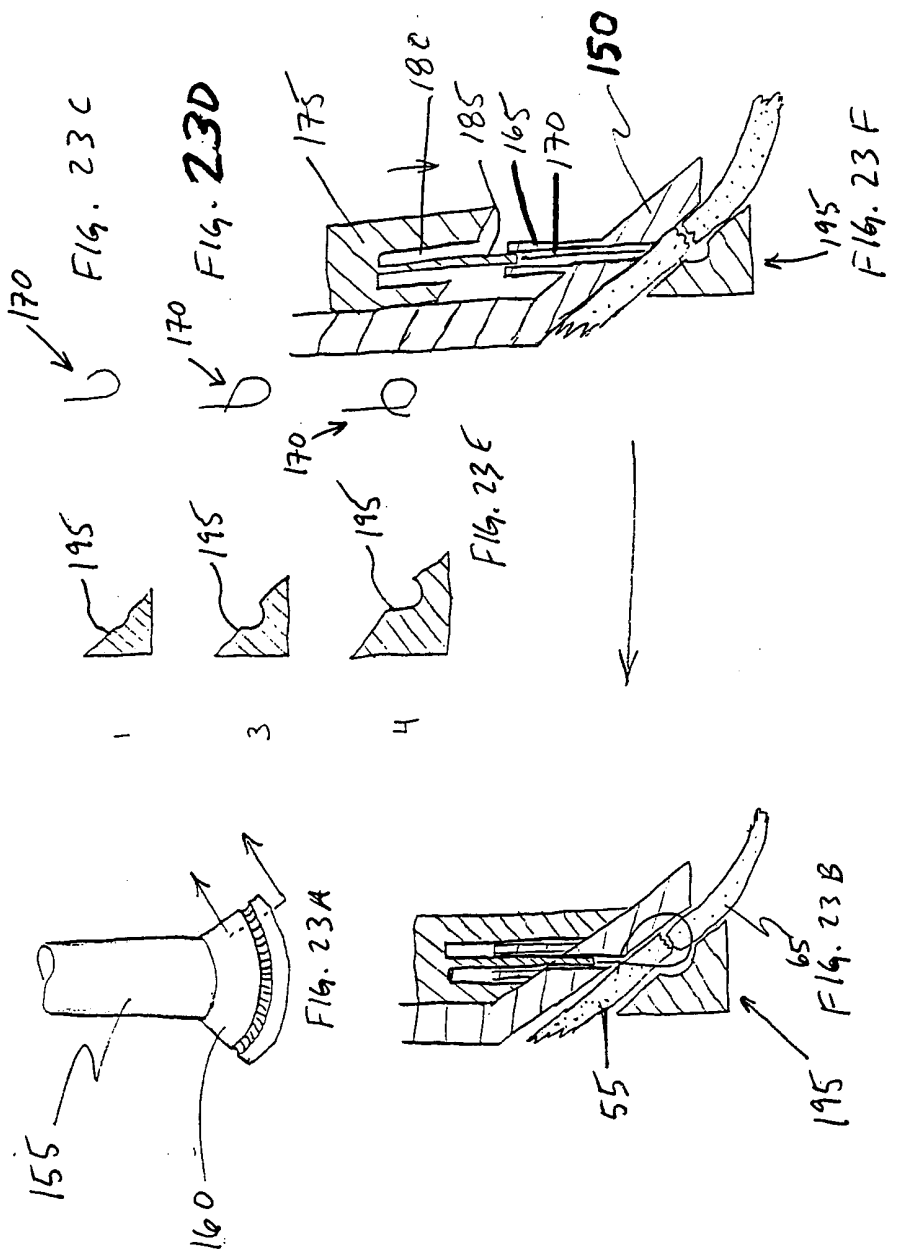


Fig. 20  
External Version of Crown





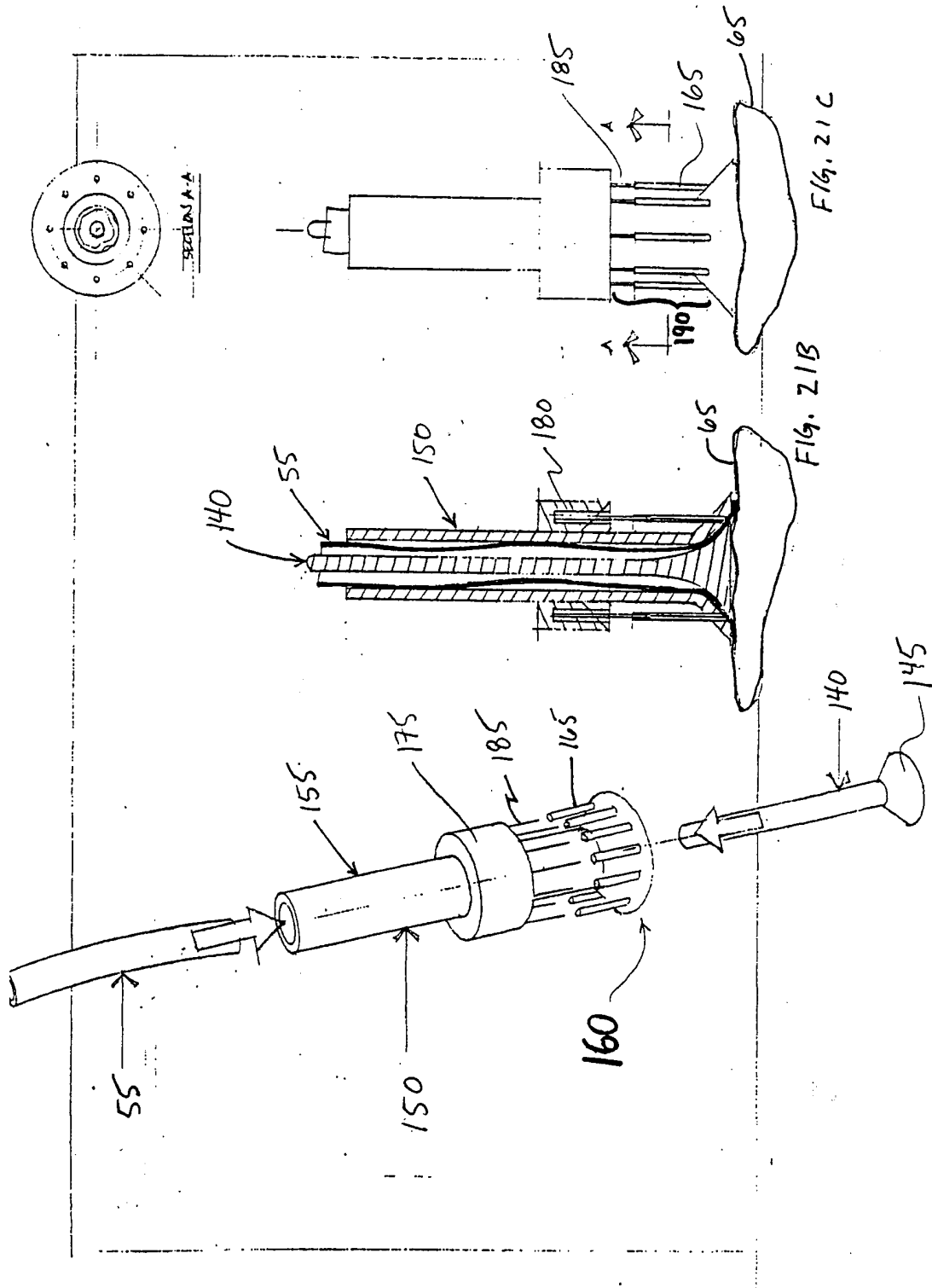


FIG. 21A

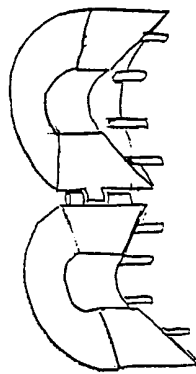


FIG. 24B

175

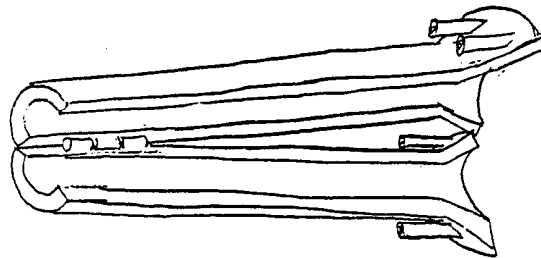
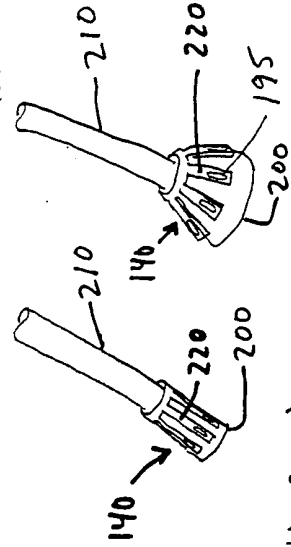


FIG. 24A

150

Inflatable Mandrel at the  
end of a Catheter



Uninflated  
FIG. 25A

Inflated  
FIG. 25B

## INTERNATIONAL SEARCH REPORT

International application No.  
PCT/US00/30418

## A. CLASSIFICATION OF SUBJECT MATTER

IPC(7) : A61B 17/08

US CL : 606/153

According to International Patent Classification (IPC) or to both national classification and IPC

## B. FIELDS SEARCHED

Minimum documentation searched (classification system followed by classification symbols)

U.S. : 606/151-153, 139, 144, 194, 198

Documentation searched other than minimum documentation to the extent that such documents are included in the fields searched

Electronic data base consulted during the international search (name of data base and, where practicable, search terms used)

EAST

## C. DOCUMENTS CONSIDERED TO BE RELEVANT

Category*	Citation of document, with indication, where appropriate, of the relevant passages	Relevant to claim No.
X	US 5,234,447 A (KASTER et al.) 10 August 1993, Fig. 10.	1-4
X	US 4,553,543 A (AMARASINGHE) 19 November 1985, Figs. 2 and 3.	9 and 10
A, P	US 6,152,937 A (PETERSON et al.) 28 November 2000, Figs. 1-3.	1-8 and 17
A, P	US 6,113,612 A (SWANSON et al.) 05 September 2000, Figs. 1-3.	1-8 and 17
A	US 5,122,156 A (GRANGER et al.) 16 June 1992, Figs. 11 and 12.	9-16

 Further documents are listed in the continuation of Box C.
  See patent family annex.

* Special categories of cited documents:	"T" later document published after the international filing date or priority date and not in conflict with the application but cited to understand the principle or theory underlying the invention
"A" document defining the general state of the art which is not considered to be of particular relevance	"X" document of particular relevance; the claimed invention cannot be considered novel or cannot be considered to involve an inventive step when the document is taken alone
"E" earlier document published on or after the international filing date	"Y" document of particular relevance; the claimed invention cannot be considered to involve an inventive step when the document is combined with one or more other such documents, such combination being obvious to a person skilled in the art
"L" document which may throw doubts on priority claim(s) or which is cited to establish the publication date of another citation or other special reason (as specified)	"&" document member of the same patent family
"O" document referring to an oral disclosure, use, exhibition or other means	
"P" document published prior to the international filing date but later than the priority date claimed	

Date of the actual completion of the international search

08 JANUARY 2001

Date of mailing of the international search report

31 JAN 2001

Name and mailing address of the ISA/US  
Commissioner of Patents and Trademarks  
Box PCT  
Washington, D.C. 20231

Facsimile No. (703) 305-3230

Authorized officer

LIEN NGO

Telephone No. (703) 305-0294