



US00D995367S

(12) **United States Design Patent**
You et al.

(10) **Patent No.:** **US D995,367 S**

(45) **Date of Patent:** **** Aug. 15, 2023**

(54) **BIKE RACK**

(71) Applicant: **NINGBO TUOTUO RIVER DESIGN COMPANY, Zhejiang (CN)**

(72) Inventors: **Xiaodong You, Ningbo (CN); Hongjun Wang, Ningbo (CN)**

(73) Assignee: **NINGBO TUOTUO RIVER DESIGN COMPANY, Zhejiang (CN)**

(**) Term: **15 Years**

(21) Appl. No.: **29/824,641**

(22) Filed: **Jan. 26, 2022**

(51) **LOC (14) Cl.** **08-10**

(52) **U.S. Cl.**
USPC **D12/115**

(58) **Field of Classification Search**
USPC D12/115, 120, 402, 406-408; D6/552;
D8/370, 372
CPC B60R 9/06; B60R 9/10; B62H 3/00; B62H
3/02; B62H 3/04; B62H 3/08; B62H
3/10; B62H 3/12
See application file for complete search history.

(56) **References Cited**

U.S. PATENT DOCUMENTS

4,126,228	A *	11/1978	Bala	B62H 3/08 211/5
D263,945	S *	4/1982	Voegeli	D12/115
4,524,893	A *	6/1985	Cole	B60R 9/10 211/5
D302,803	S *	8/1989	Villanueva	D12/115
D353,353	S *	12/1994	Katsaros	D12/115
5,984,111	A *	11/1999	Pennella	B62H 3/00 211/5
D456,316	S *	4/2002	Will	D12/115
D460,401	S *	7/2002	Andersson	D12/408
6,460,743	B2 *	10/2002	Edgerly	B60R 9/048 224/571
D467,220	S *	12/2002	Walstrom	D12/408

D562,217	S *	2/2008	Davis	D12/408
D604,206	S *	11/2009	Selzer	D12/115
D623,117	S *	9/2010	Farber	D12/408
D684,917	S *	6/2013	Williams	D12/408
D701,163	S *	3/2014	Kuschmeader	D12/408

(Continued)

Primary Examiner — Michelle E. Wilson

Assistant Examiner — Clese Moore, Jr.

(74) *Attorney, Agent, or Firm* — Knobbe Martens Olson & Bear LLP

(57) **CLAIM**

The ornamental design for a bike rack, as shown and described.

DESCRIPTION

FIG. 1 is a front perspective view of an embodiment of the bike rack embodying the new design, illustrated in a first configuration;

FIG. 2 is a back perspective view thereof;

FIG. 3 is a front view thereof;

FIG. 4 is a back view thereof;

FIG. 5 is a right side view thereof;

FIG. 6 is a left side view thereof;

FIG. 7 is a top view thereof; and

FIG. 8 is a bottom view thereof.

FIG. 9 is a front perspective view of the bike rack embodying the new design, illustrated in a second configuration;

FIG. 10 is a back perspective view thereof;

FIG. 11 is a front view thereof;

FIG. 12 is a back view thereof;

FIG. 13 is a right side view thereof;

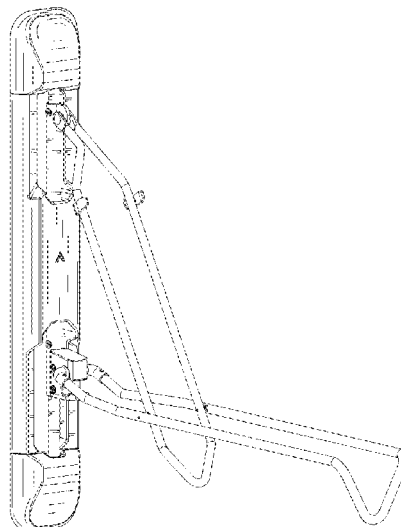
FIG. 14 is a left side view thereof;

FIG. 15 is a top view thereof; and

FIG. 16 is a bottom view thereof.

Broken lines are used to illustrate features of the bike rack that form no part of the claimed design.

1 Claim, 16 Drawing Sheets



(56)

References Cited

U.S. PATENT DOCUMENTS

D703,605	S	*	4/2014	Sautter	D12/408
D731,400	S	*	6/2015	Condon	D12/408
D772,603	S	*	11/2016	Adlesich	D6/552
D814,388	S	*	4/2018	Salsi	D12/408
D820,168	S	*	6/2018	Peruzzo	D12/115
10,300,865	B2	*	5/2019	D'Angelo	B60R 9/048
D855,008	S	*	7/2019	Man	D12/407
D863,117	S	*	10/2019	Rossiter	D12/115
D865,644	S	*	11/2019	Furuya	D12/408
D908,048	S	*	1/2021	Peruzzo	D12/115
D941,743	S	*	1/2022	Adler	D12/407

* cited by examiner

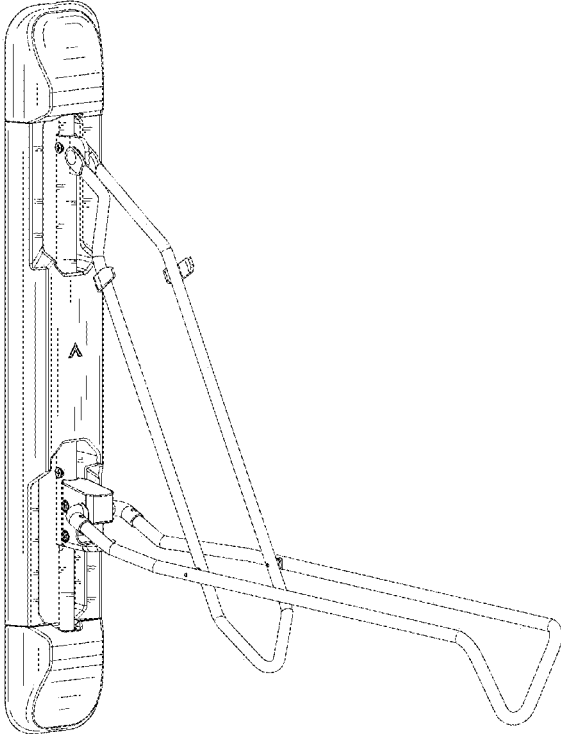


FIG. 1

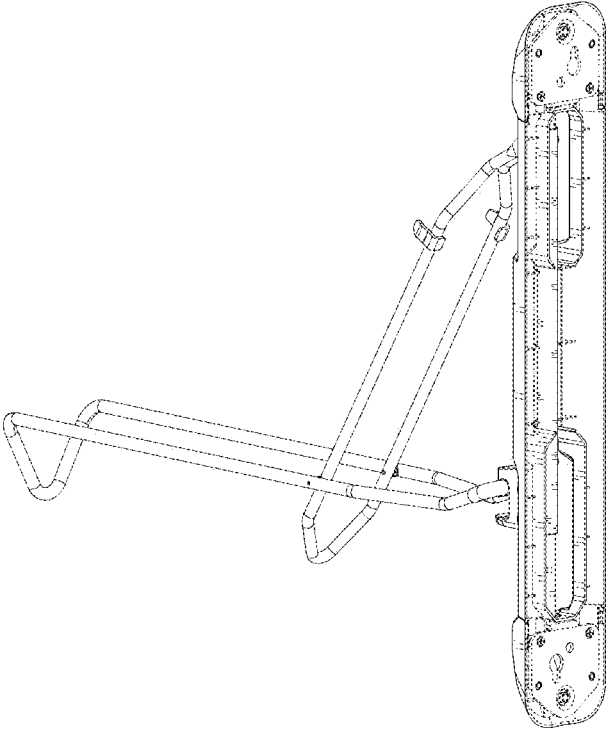


FIG. 2

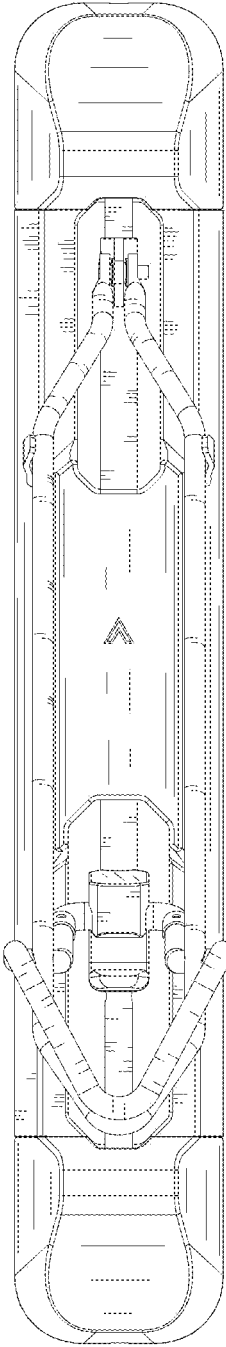


FIG. 3

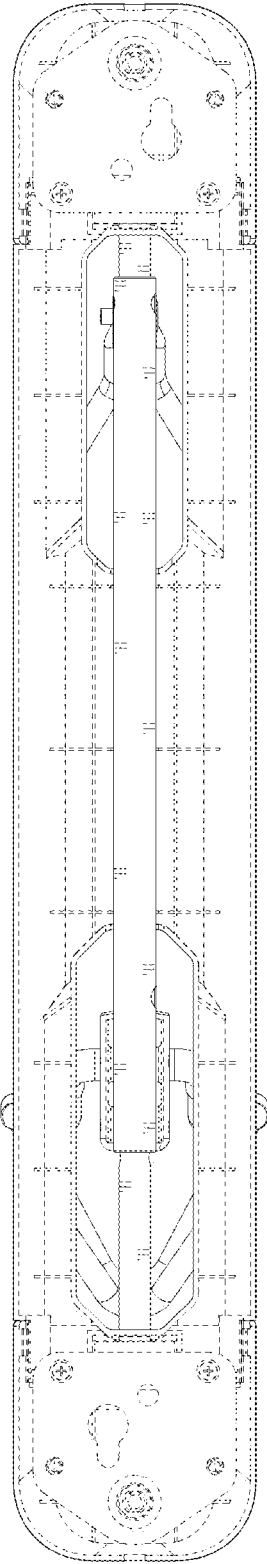


FIG. 4

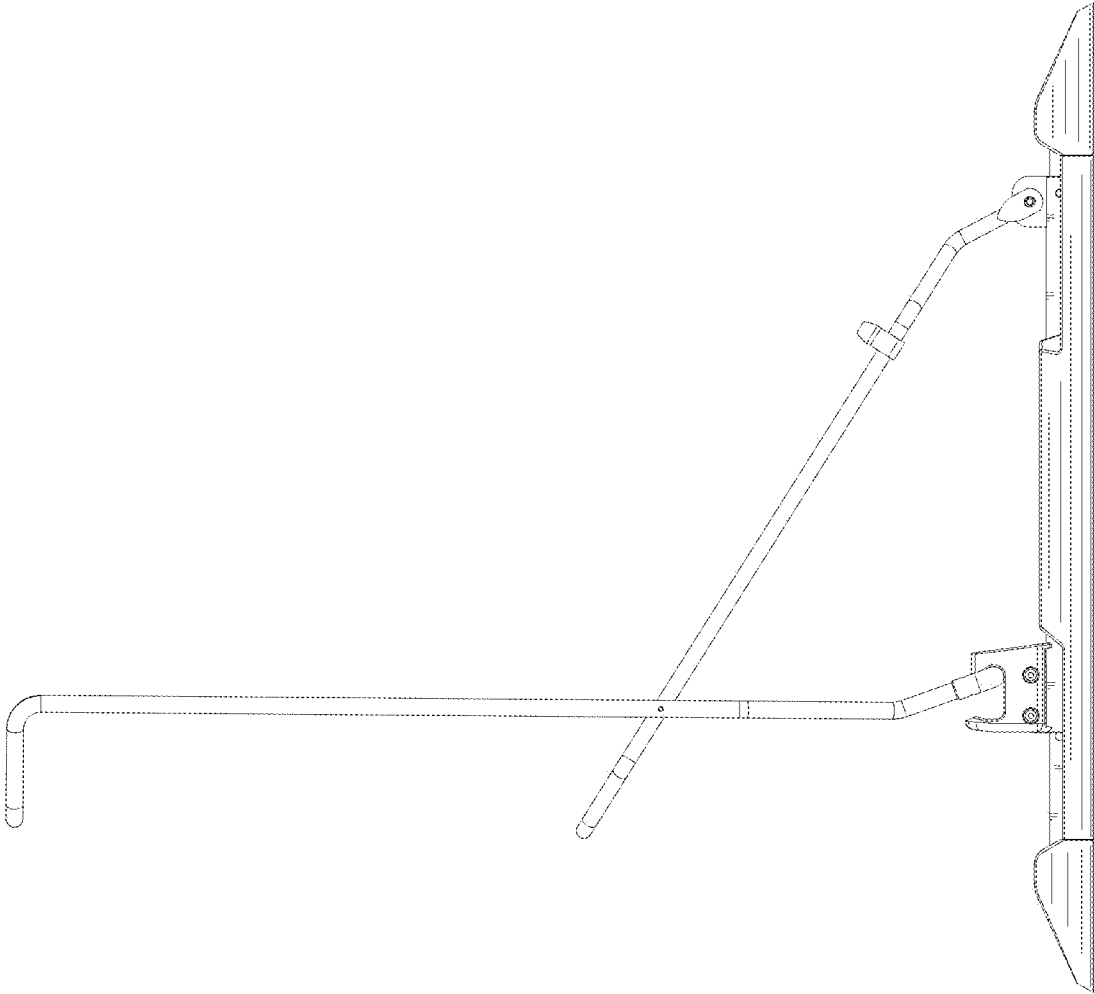


FIG. 5

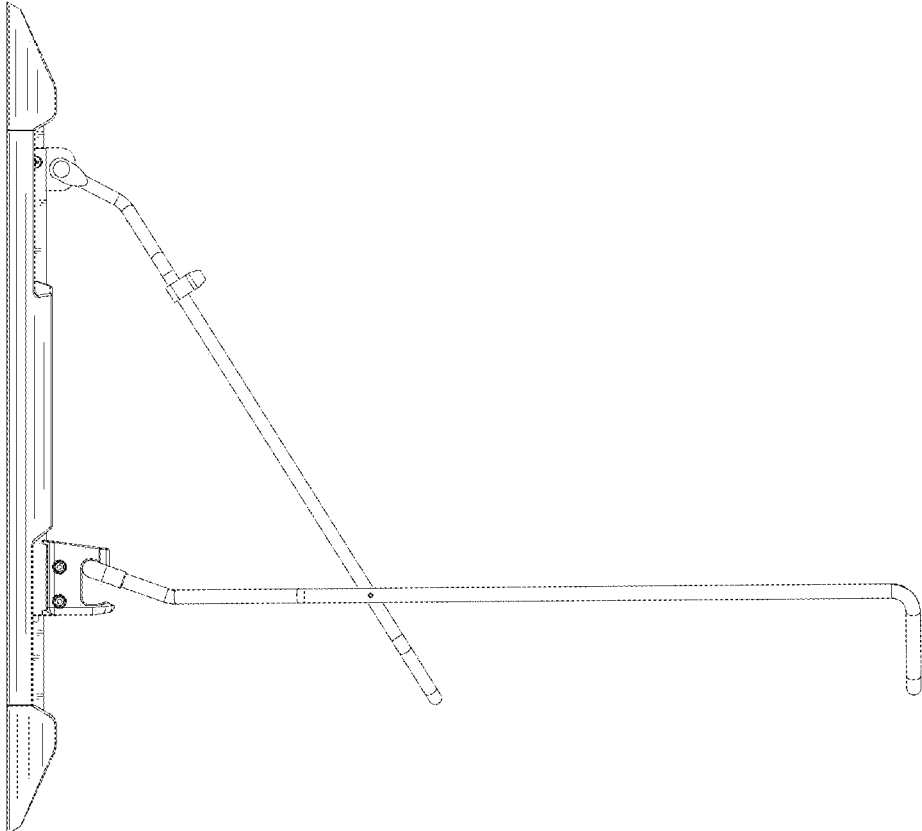


FIG. 6

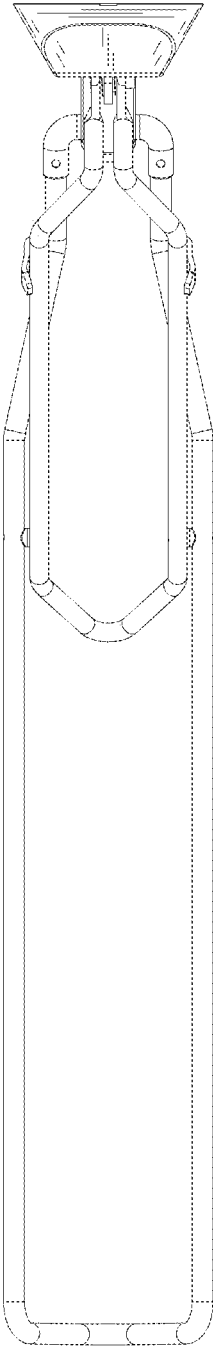


FIG. 7

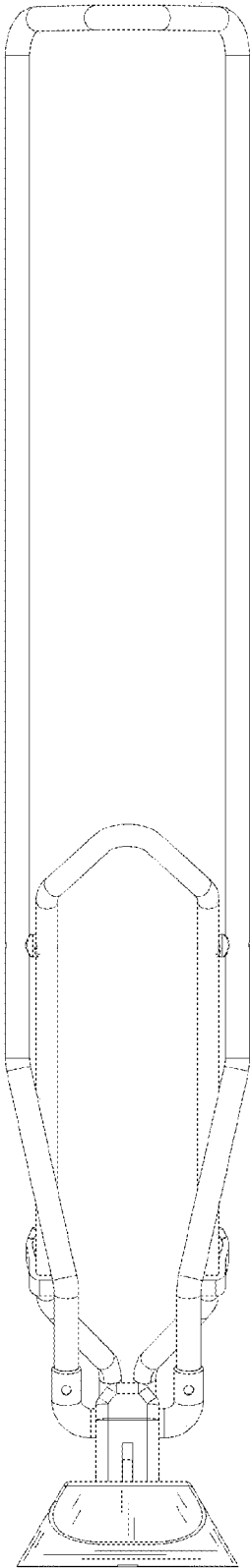


FIG. 8

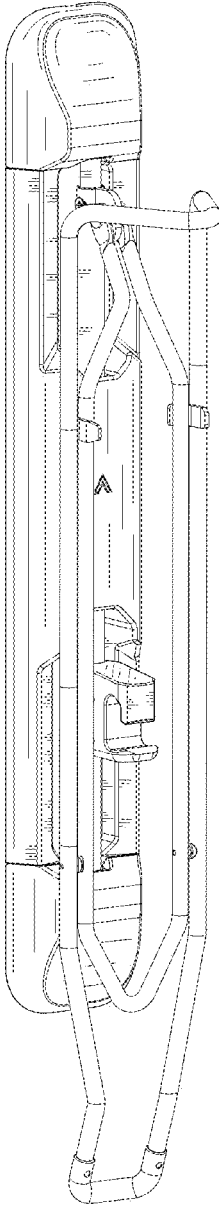


FIG. 9

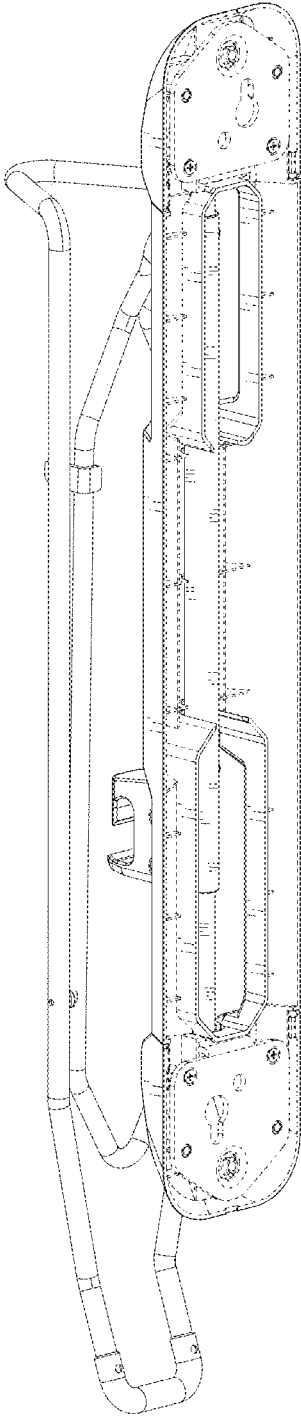


FIG. 10

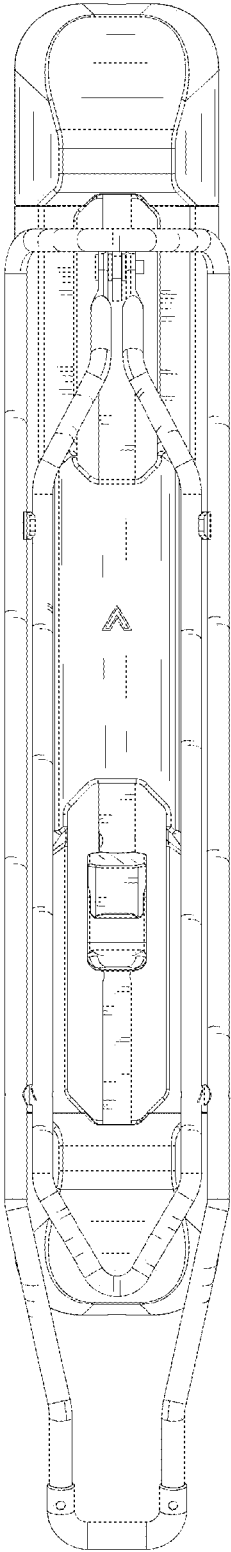


FIG. 11

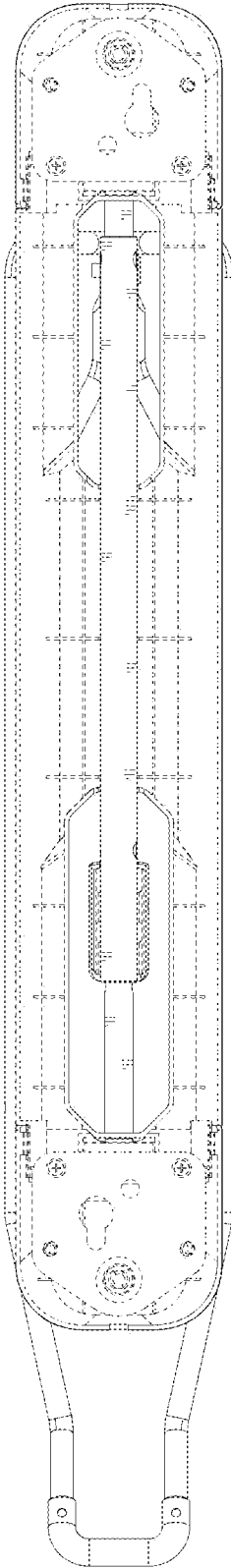


FIG. 12

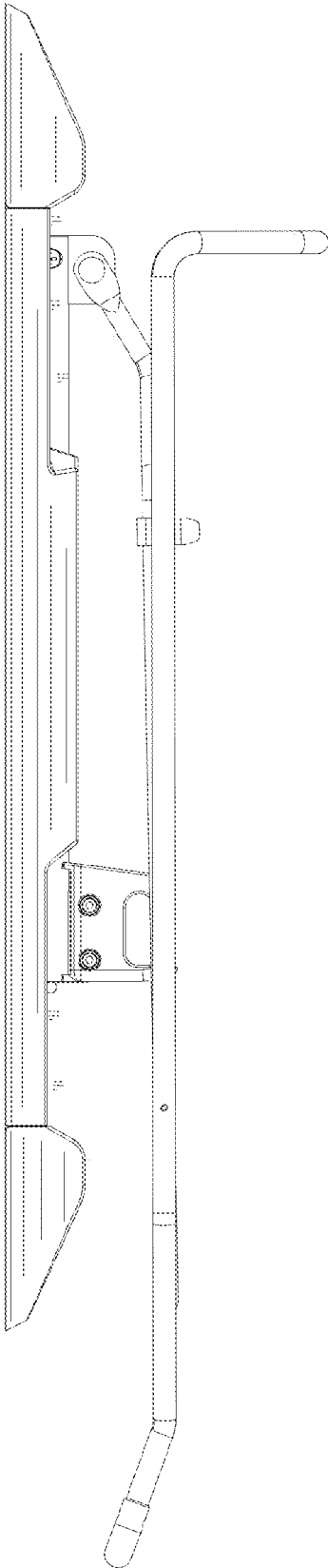


FIG. 13

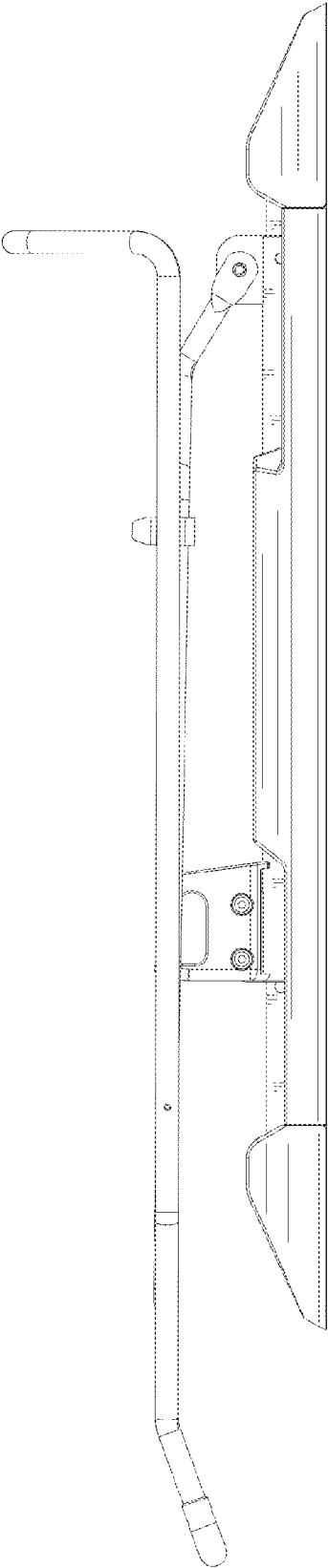


FIG. 14

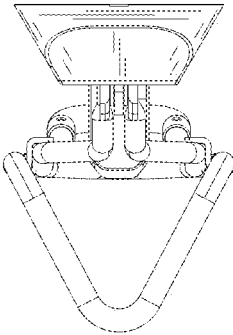


FIG. 15

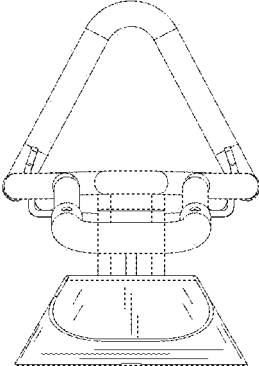


FIG. 16