



US00D595930S

(12) **United States Design Patent**  
**Perry**

(10) **Patent No.:** **US D595,930 S**

(45) **Date of Patent:** **\*\* Jul. 14, 2009**

(54) **SIDE MOUNTING SUSPENDERS WITH BELT ATTACHMENT CLIPS**

2007/0192940 A1\* 8/2007 Waters et al. .... 2/326

\* cited by examiner

(75) Inventor: **Don A. Perry**, Decatur, IL (US)

*Primary Examiner*—T. Chase Nelson

*Assistant Examiner*—Kathleen M Sims

(73) Assignee: **Perry Products, Inc**, Decatur, IL (US)

(74) *Attorney, Agent, or Firm*—Alvin T. Rockhill

(\*\*) Term: **14 Years**

(57) **CLAIM**

(21) Appl. No.: **29/319,405**

The ornamental design for side mounting suspenders with belt attachment clips, as shown and described.

(22) Filed: **Jun. 9, 2008**

(51) **LOC (9) Cl.** ..... **02-07**

(52) **U.S. Cl.** ..... **D2/626**

(58) **Field of Classification Search** ..... D2/624,  
D2/626, 639–640; D29/100; 2/305, 311–313,  
2/323, 326–328; D3/222

See application file for complete search history.

**DESCRIPTION**

FIG. 1 is a front perspective view of side mounting suspenders with belt attachment clips showing my new design;

FIG. 2 is a right side view of the suspenders with the left side view being a mirror image of the right side view;

FIG. 3 is a front perspective view of suspenders illustrating my new design;

FIG. 4 is a back perspective view of suspenders illustrating my new design;

FIG. 5 is front view of the suspenders; and,

FIG. 6 is a back view of the suspenders.

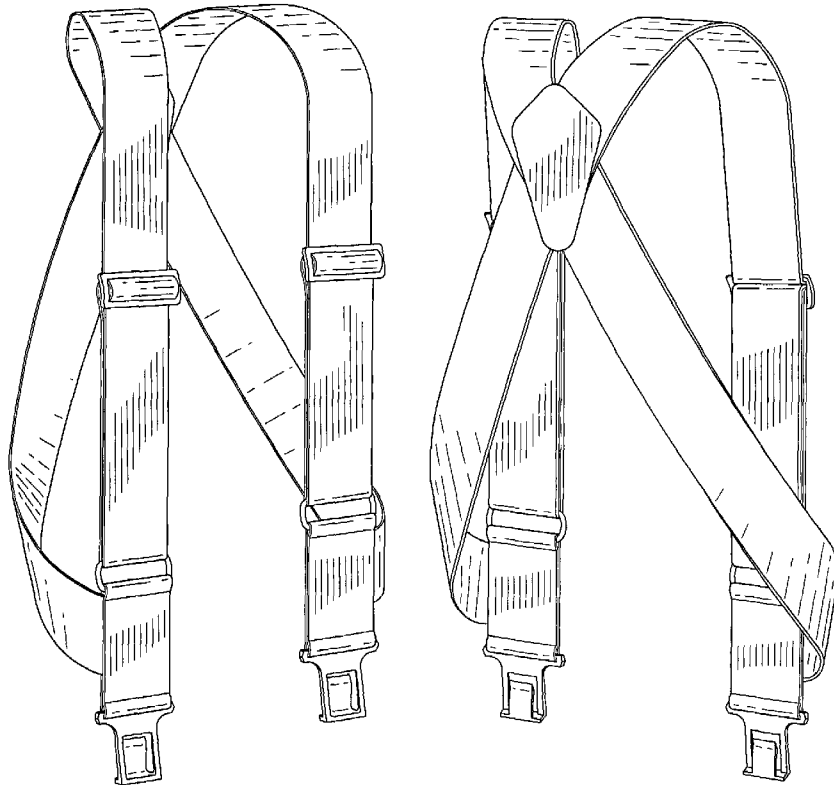
The broken line showing of a shirt, belt and trousers shown in FIGS. 1 and 2 is included for the purpose of showing the environment of the side mounting suspenders with belt attachment clips and forms no part of the claimed design.

(56) **References Cited**

**U.S. PATENT DOCUMENTS**

D103,173 S *	2/1937	Knoll	.....	D2/625
D123,897 S *	12/1940	Sedlacek	.....	D2/625
D312,347 S *	11/1990	Brown et al.	.....	D2/626
D316,775 S *	5/1991	Schott	.....	D2/626
D415,331 S *	10/1999	Garcia	.....	D2/626
D423,759 S *	5/2000	Dancyger	.....	D2/626
6,167,573 B1 *	1/2001	Lewis	.....	2/327
6,959,455 B2 *	11/2005	Hall	.....	2/340

**1 Claim, 3 Drawing Sheets**



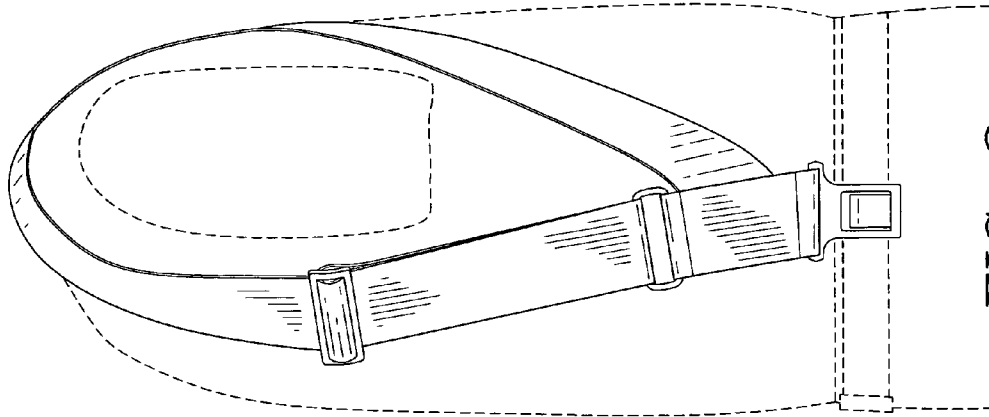


FIG-2

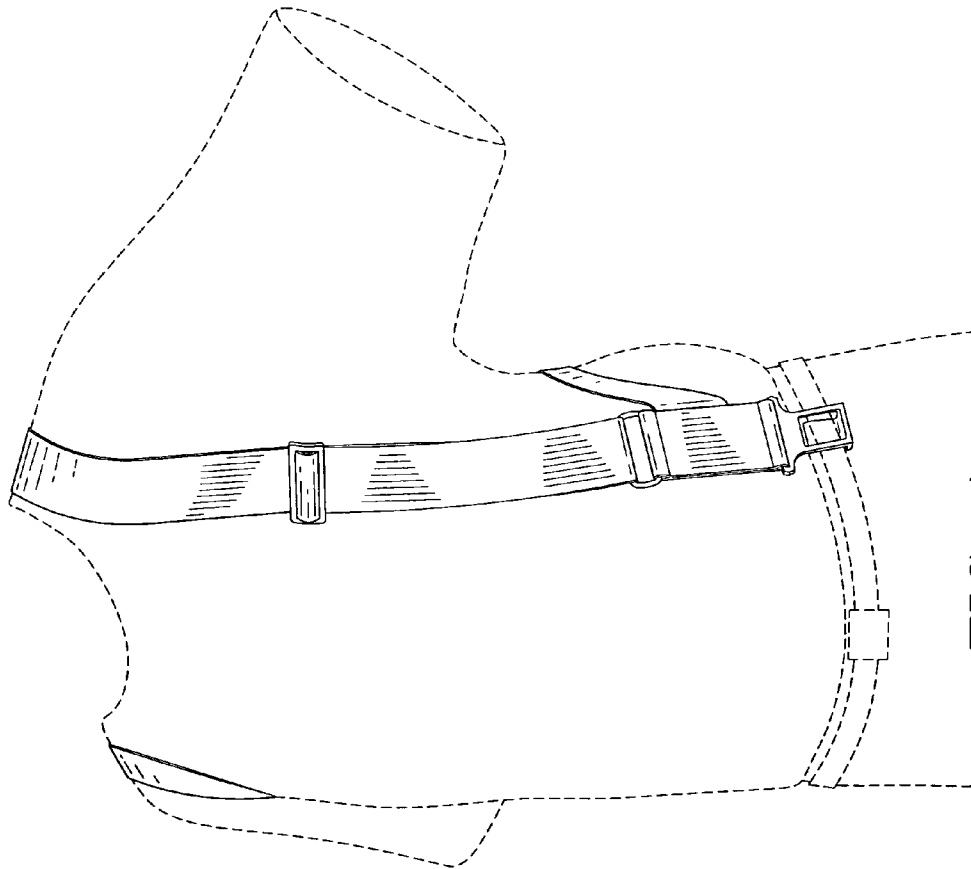


FIG-1

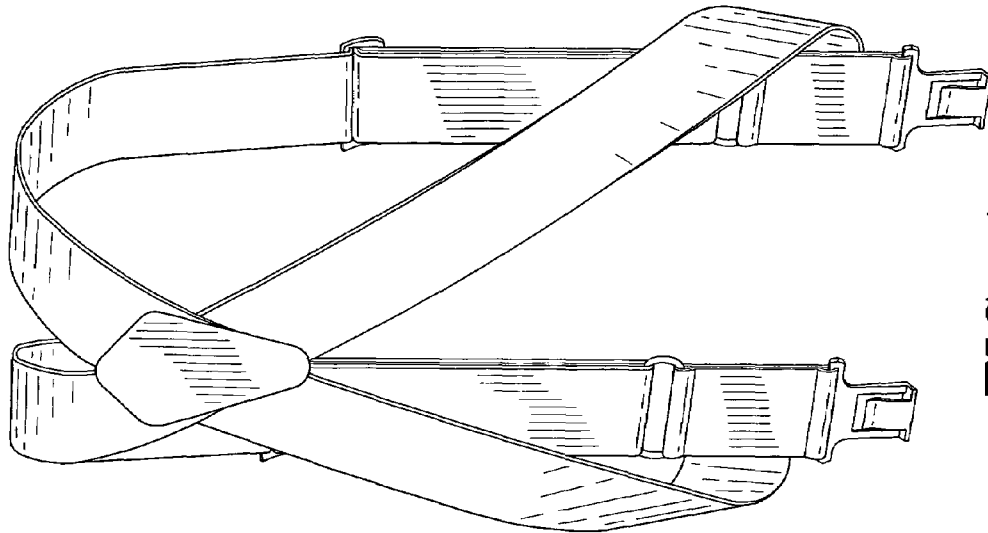


FIG-4

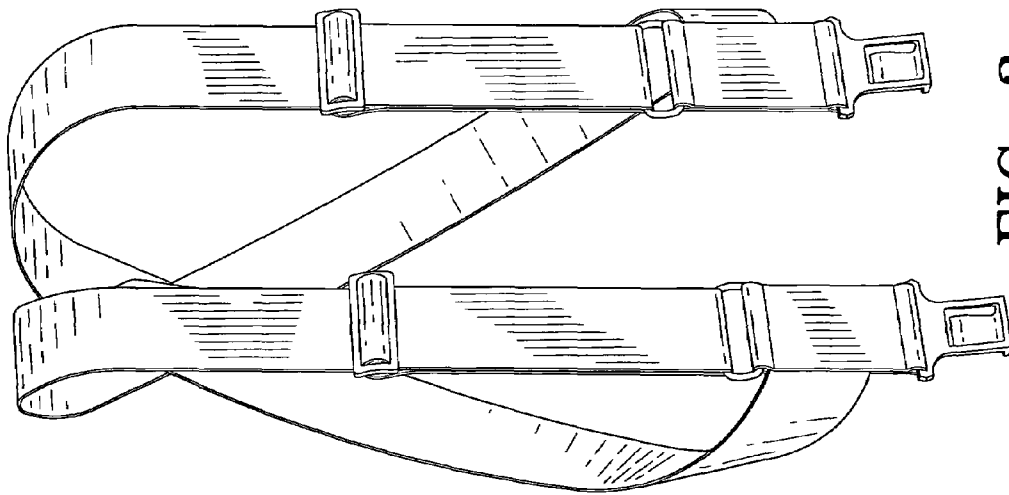


FIG-3

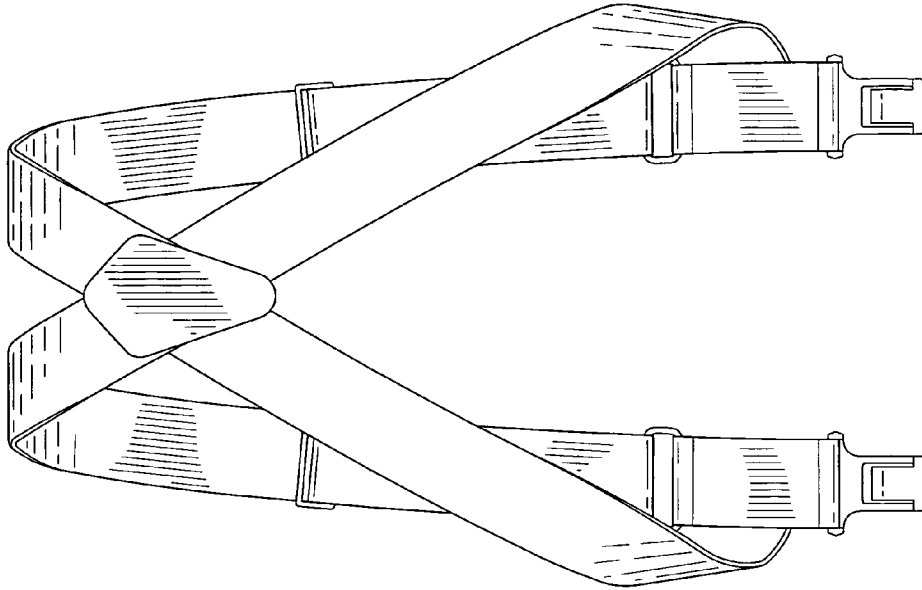


FIG-6

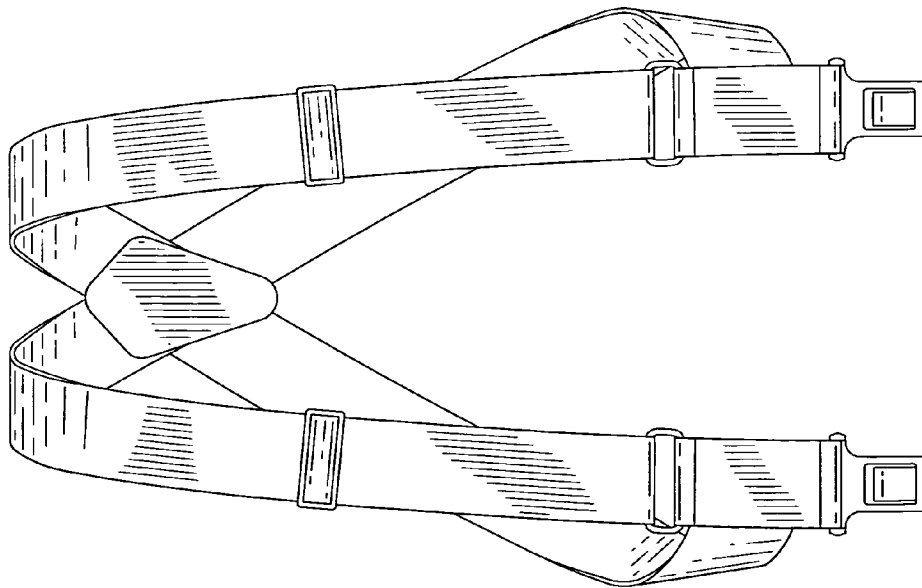


FIG-5