



US00D430295S

United States Patent [19]

[11] Patent Number: **Des. 430,295**

Ierulli

[45] Date of Patent: **** Aug. 29, 2000**

[54] **NOSTRIL DILATOR**

5,611,333	3/1997	Johnson	128/200.24
5,718,224	2/1998	Muchin	128/200.24
5,890,486	4/1999	Mitra et al.	128/200.24
5,961,537	10/1999	Gould	606/204.45

[76] Inventor: **Joseph V. Ierulli**, 3926 SW. Water Ave., Portland, Oreg. 97201

[**] Term: **14 Years**

Primary Examiner—Ian Simmons
Attorney, Agent, or Firm—Olson and Olson

[21] Appl. No.: **29/115,383**

[57] CLAIM

[22] Filed: **Dec. 8, 1999**

The ornamental design for a nostril dilator, as shown and described.

Related U.S. Application Data

[62] Division of application No. 29/095,702, Oct. 28, 1998.

[51] **LOC (7) Cl.** **24-02**

[52] **U.S. Cl.** **D24/135; D24/189**

[58] **Field of Search** D24/135, 189; 128/200.24, 207.18; 606/149, 204.45; 604/180, 307, 308; 602/58, 56, 55, 54

DESCRIPTION

FIG. 1 is a side elevational view shown in use of a nostril dilator showing my new design.

FIG. 2 is a top plan view thereof;

FIG. 3 is a front elevational view thereof;

FIG. 4 is a rear elevational view thereof;

FIG. 5 is a right side elevational view thereof, the left side elevational views being a mirror image thereto; and,

FIG. 6 is a bottom plan view thereof.

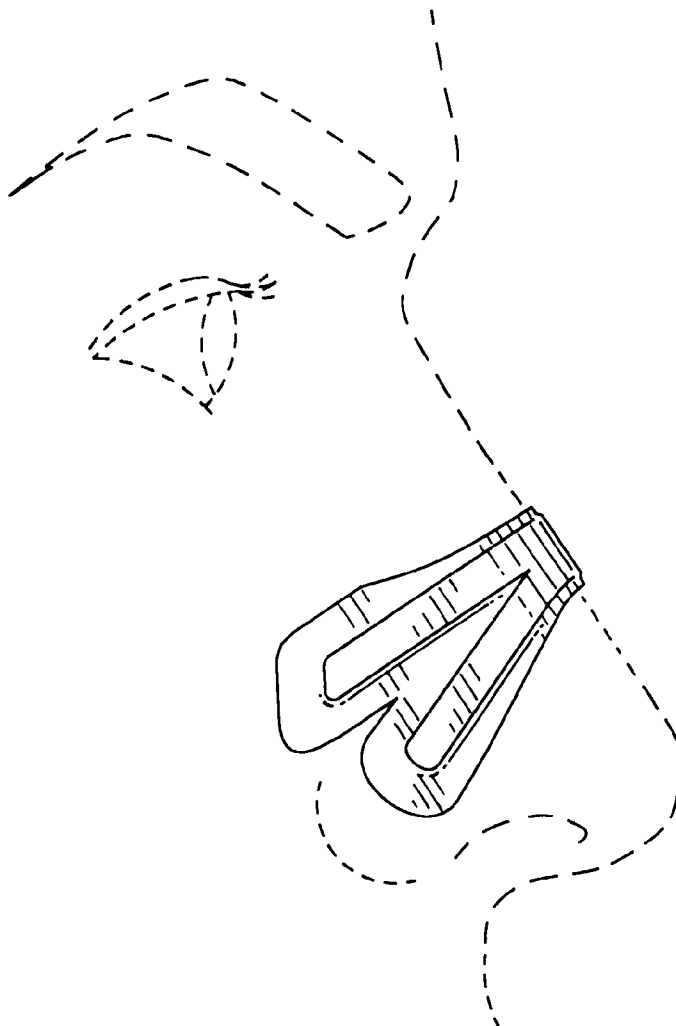
The broken line showing of a person is for illustrative purposes only and forms no part of the claimed design;

[56] References Cited

U.S. PATENT DOCUMENTS

D. 379,513	5/1997	Ierulli	D24/135
5,533,499	7/1996	Johnson	128/200.24

1 Claim, 1 Drawing Sheet



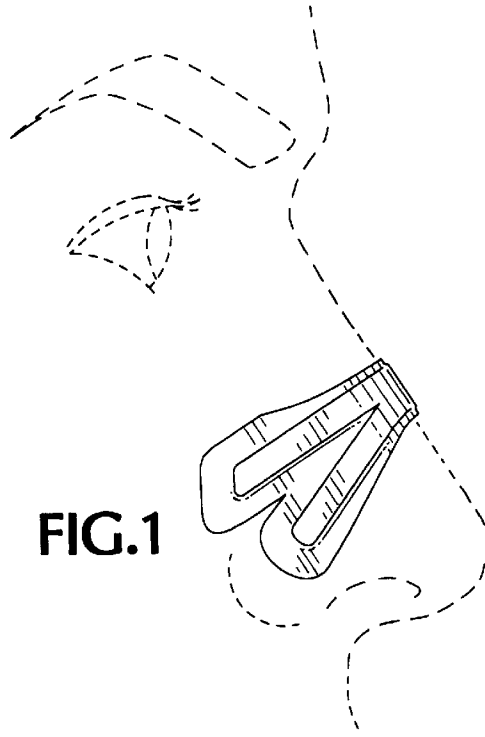


FIG.1



FIG.3

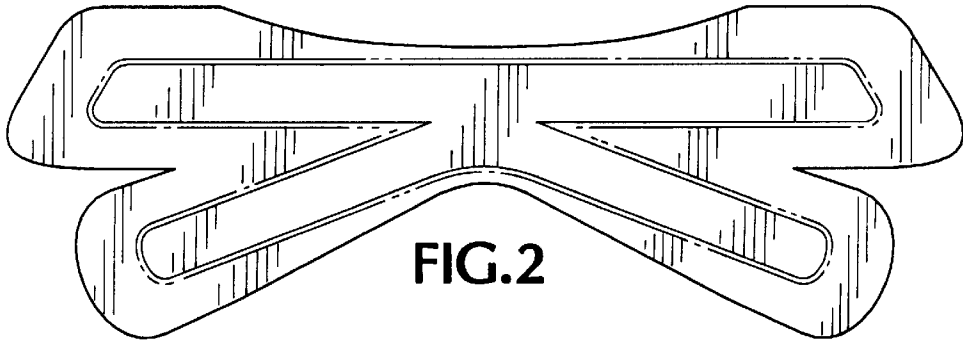


FIG.2



FIG.5



FIG.4

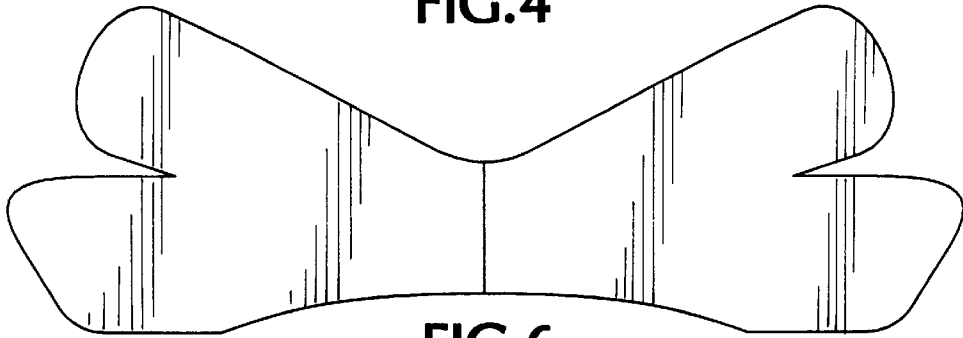


FIG.6