



US00D990191S

(12) **United States Design Patent**
Witt et al.

(10) **Patent No.:** **US D990,191 S**

(45) **Date of Patent:** **** Jun. 27, 2023**

(54) **TOILET PAPER HOLDER FIXTURE**

D465,369 S * 11/2002 Moore D6/546
D466,734 S * 12/2002 Moore D6/523
D474,671 S * 5/2003 Singtoroj D8/308

(Continued)

(71) Applicant: **HANSGROHE SE**, Schiltach (DE)

(72) Inventors: **Alvaro Witt**, Stuttgart (DE); **Andreas Diefenbach**, Ludwigsburg-Ossweil (DE)

FOREIGN PATENT DOCUMENTS

(73) Assignee: **Hansgrohe SE**, Schiltach (DE)

CN 303000841 11/2014
EM 007880810-0021 * 12/2020

(Continued)

(**) Term: **15 Years**

(21) Appl. No.: **29/757,440**

OTHER PUBLICATIONS

(22) Filed: **Nov. 5, 2020**

Toilet Paper Holder. hansgrohe (online) 10 pgs. Available Dec. 4, 2020. [Retrieved Jun. 2, 2022] <https://www.amazon.com/hansgrohe-Transitional-Accessories-Polished-04837830/dp/B08PNL4YDY> (Year: 2020).*

(30) **Foreign Application Priority Data**

May 11, 2020 (EM) 007880810-0022

(51) **LOC (14) Cl.** **23-08**

(52) **U.S. Cl.**
USPC **D6/523**

(58) **Field of Classification Search**
USPC D6/512, 515, 518, 519, 520, 521, 522,
D6/523, 546, 547, 549, 550; D7/631;
D19/89; D8/396, 367, 399; 248/905,
248/309.1, 309.2, 250; 221/92, 45, 63,
221/34, 46, 259

CPC A47K 10/38; A47K 10/3836; A47K 10/16;
A47K 10/18; A47K 10/04; A47K 10/24;
A47K 10/32; A47K 10/22; A47K
2010/3253; B65H 2701/1924

See application file for complete search history.

Primary Examiner — Marie D. Fast Horse
Assistant Examiner — Jennifer Sierra Yosinski
(74) *Attorney, Agent, or Firm* — Lora J. Graentzdoerffer

(57) **CLAIM**

The ornamental design for a toilet paper holder fixture, as shown and described.

DESCRIPTION

FIG. 1 is a perspective view of a toilet paper holder fixture showing our design;
FIG. 2 is a front elevational view thereof;
FIG. 3 is a rear elevational view thereof;
FIG. 4 is a right side elevational view thereof;
FIG. 5 is a left side elevational view thereof;
FIG. 6 is a top perspective view thereof; and,
FIG. 7 is a bottom perspective view thereof.

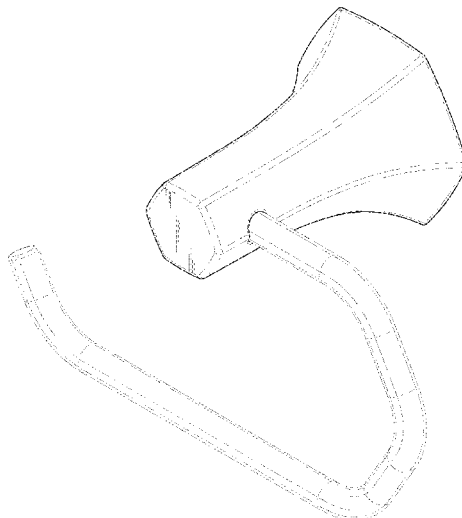
The broken lines showing the J-shaped bar depict environment only and form no part of the claim, while the broken line circle of FIG. 3 depicts a portion of the toilet paper holder fixture in which the claimed design is embodied but which forms no part of the claimed design.

1 Claim, 7 Drawing Sheets

(56) **References Cited**

U.S. PATENT DOCUMENTS

D155,897 S * 11/1949 Huntington 248/309.2
D277,347 S * 1/1985 Thompson D6/523
D280,009 S * 8/1985 Miller D23/242
D449,477 S * 10/2001 Travis D6/546
D450,503 S * 11/2001 Gottwald D6/523
D456,150 S * 4/2002 Moore D8/367
D465,365 S * 11/2002 Moore D6/523
D465,368 S * 11/2002 Moore D6/546



(56)

References Cited

U.S. PATENT DOCUMENTS

D476,064 S * 6/2003 Smith D23/250
D477,481 S * 7/2003 Ouano D6/546
D478,754 S * 8/2003 Moore D6/524
D484,951 S * 1/2004 Lin D23/252
D516,354 S * 3/2006 Sedwick D6/550
D523,273 S * 6/2006 Ferrer Beltran D6/546
D550,489 S * 9/2007 Williams D6/523
D661,146 S * 6/2012 Gilbert D6/524
D701,058 S * 3/2014 Goodman D6/522
D916,491 S * 4/2021 Chen D6/522
2002/0023993 A1* 2/2002 Fleischmann A47K 10/10
248/315

FOREIGN PATENT DOCUMENTS

EM 007880810-0022 * 12/2020
EM 007880810-0026 * 12/2020
GB 9007880810-0021 * 5/2020
GB 9007880810-0022 * 5/2020
GB 9007880810-0026 * 5/2020
WO D052425-008 9/2000

* cited by examiner

FIG. 1

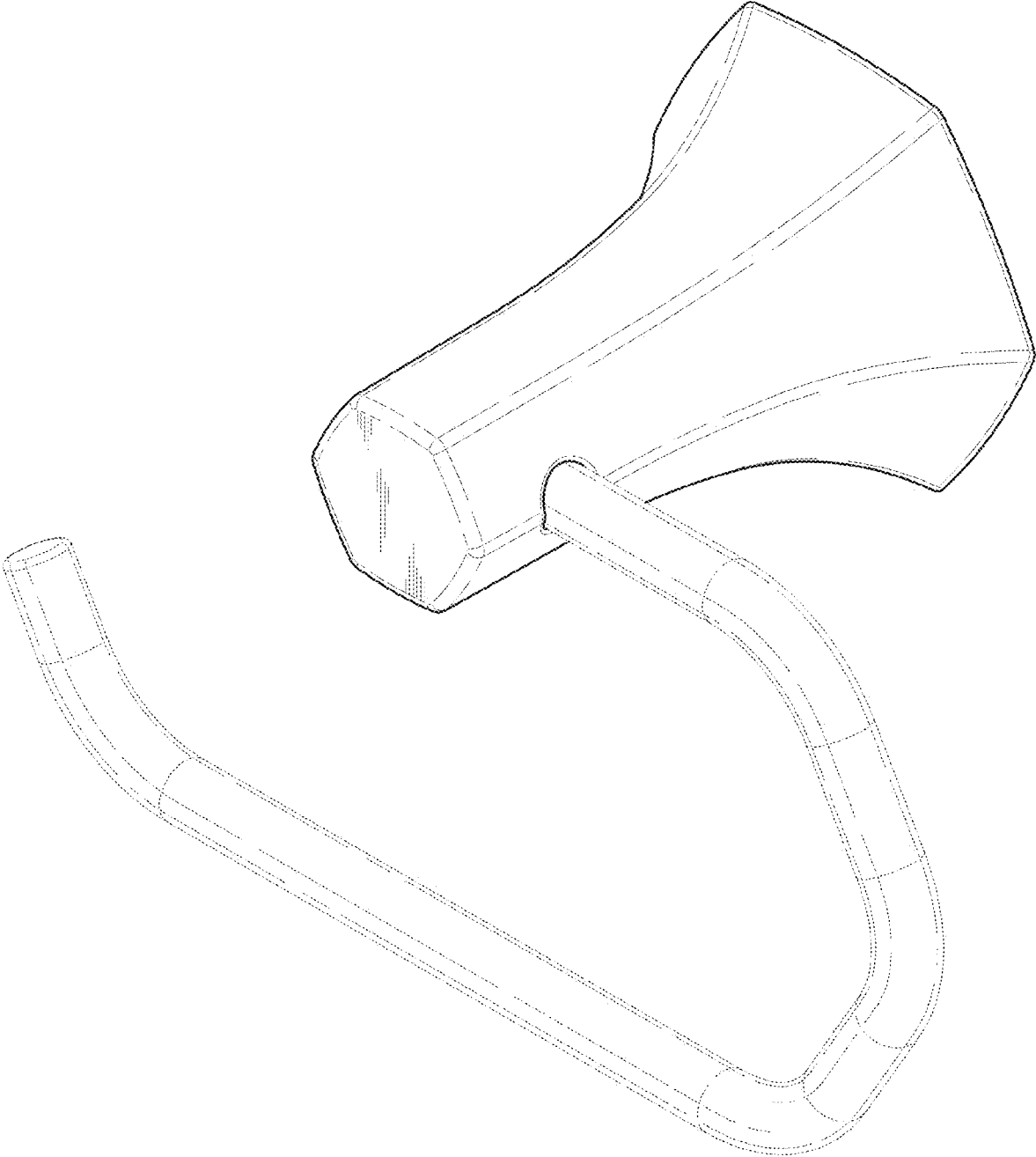


FIG. 2

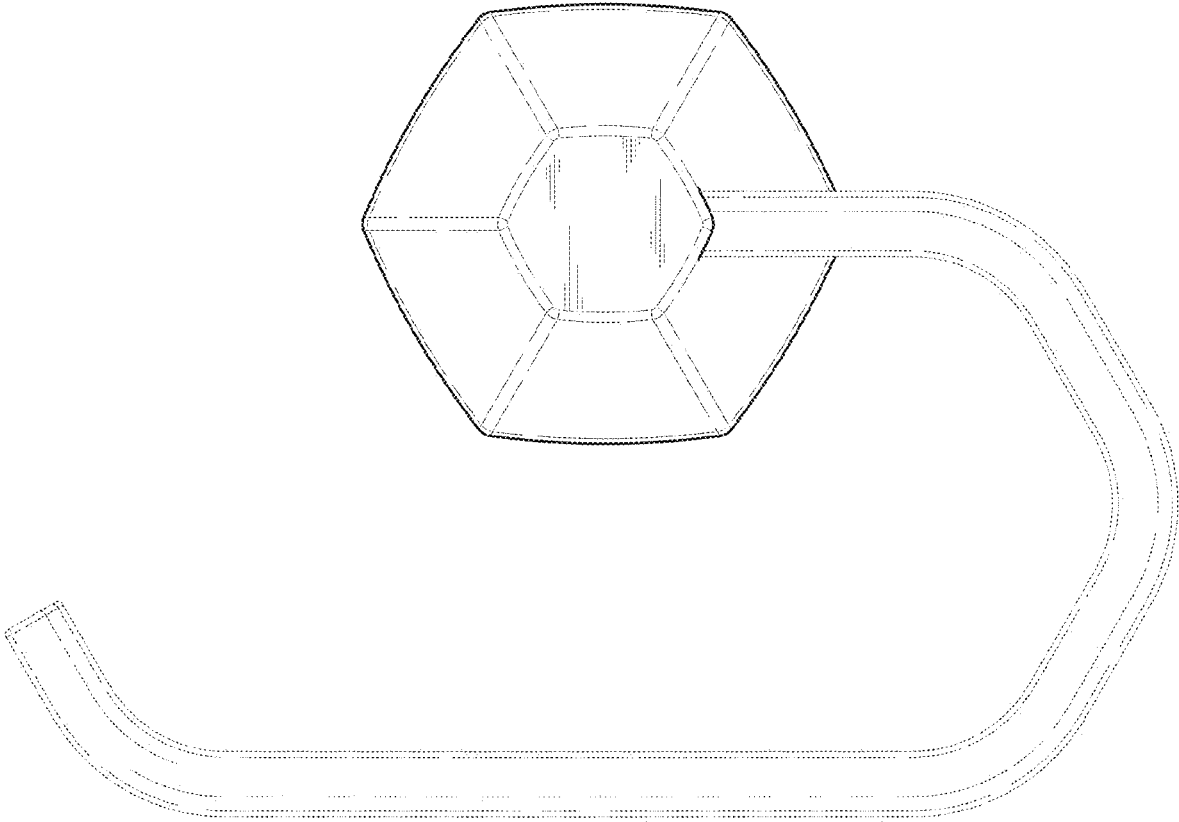


FIG. 3

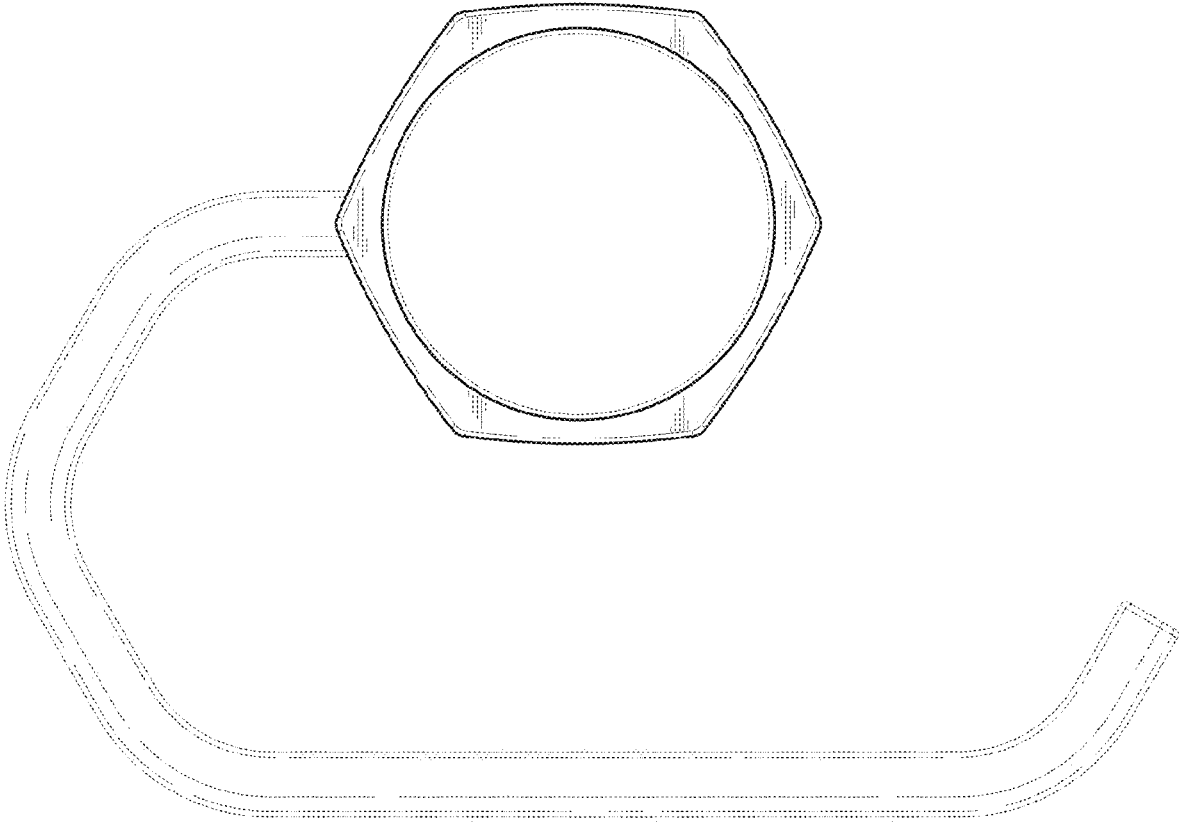


FIG. 4

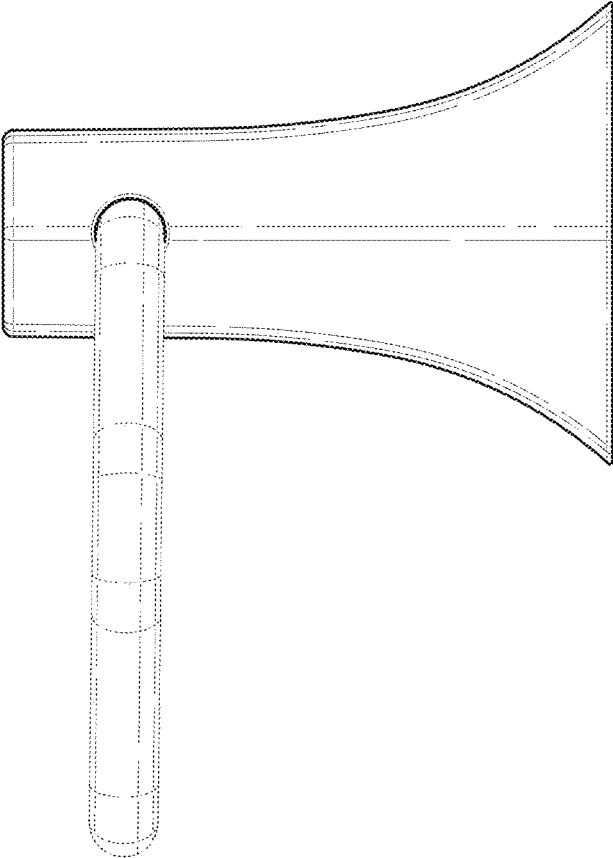


FIG. 5

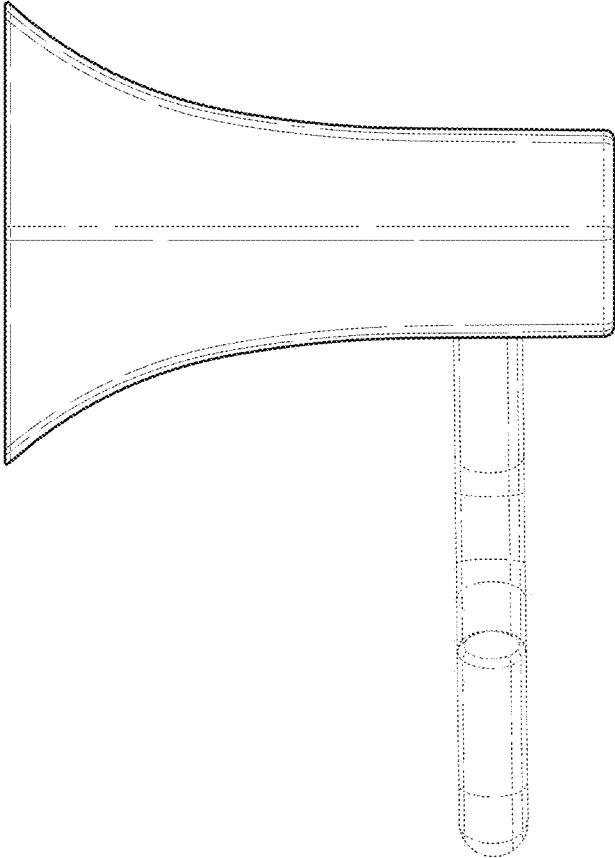


FIG. 6

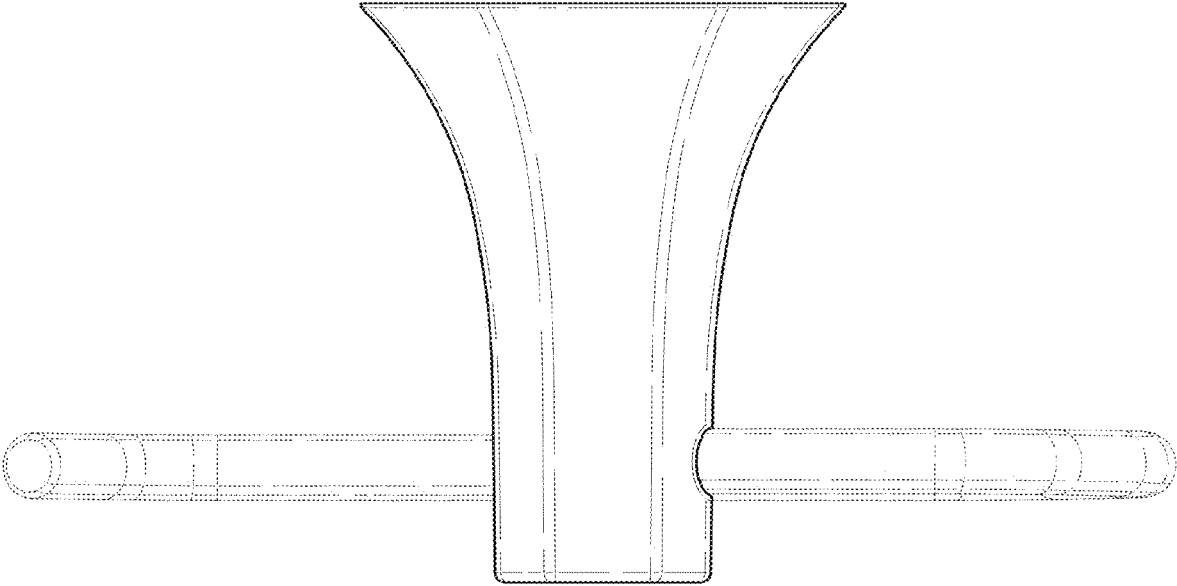


FIG. 7

