



US00D382203S

United States Patent [19]

[11] Patent Number: **Des. 382,203**

Fonville

[45] Date of Patent: ****Aug. 12, 1997**

[54] **LID**

[75] Inventor: **Fred S. Fonville**, Stephens City, Va.

[73] Assignee: **Rubbermaid Commercial Products Inc.**, Winchester, Va.

[**] Term: **14 Years**

[21] Appl. No.: **43,434**

[22] Filed: **Sep. 5, 1995**

[51] **LOC (6) Cl.** **09-07**

[52] **U.S. Cl.** **D9/449**

[58] **Field of Search** D9/434, 435, 438, D9/447, 449, 452; D7/629; 215/228, 307, 310; 220/367.1, 512, 541.1, 541.5, 703, 711, 714; 222/546

D. 361,265 8/1995 Doxey D9/435

D. 363,638 10/1995 Feer D7/391

3,756,480 9/1973 Swett 222/484

4,303,171 12/1981 Schremmer 220/238

4,471,880 9/1984 Taylor 220/306

4,537,325 8/1985 Zieff 220/234

5,395,015 3/1995 Bolen, Jr. et al. 222/546

5,398,843 3/1995 Warden et al. 220/703 X

5,425,467 6/1995 Feer et al. 220/281

OTHER PUBLICATIONS

Pp. 11 and 12, Container lids; Dura-ware Co. of America, Inc., 81 Spring Street, New York, New York 10012. Publication date Nov., 1993.

P. 48, Container covers; Continental Carlisle, Oklahoma City, Oklahoma. Publication date 1989.

P. 26, Container covers; Cambro Manufacturing Co., 7601 Clay Avenue, Huntington Beach, California 92647. Publication date 1994.

Pp. 5, 10, 11 and 12, Container covers; The Vollrath Company, Inc., P. O. Box 611, Sheboygan, Wisconsin. Publication date 1993.

Pp. 4, 6 and 7, Container covers; Rubbermaid Commercial Products Inc., 3124 Valley Avenue, Winchester, Virginia 22601. Publication date 1994.

Primary Examiner—James Gandy
Assistant Examiner—Cathron B. Matta
Attorney, Agent, or Firm—Richard B. O’Planick; Lisa B. Riedesel

References Cited

U.S. PATENT DOCUMENTS

D. 208,334 8/1967 Gerds D58/26

D. 228,867 10/1973 Mallonn D7/131

D. 229,737 1/1974 Taylor D7/131

D. 230,342 2/1974 Mallonn D7/131

D. 230,343 2/1974 Mallonn D7/131

D. 230,344 2/1974 Mallonn D7/131

D. 230,556 3/1974 Mallonn D7/131

D. 246,344 11/1977 Yonkers D7/131

D. 260,492 9/1981 Scott D9/452

D. 267,703 1/1983 Chase et al. D9/435

D. 272,324 1/1984 Mumford et al. D9/452

D. 277,724 2/1985 Daenen et al. D7/392

D. 281,758 12/1985 Trombly D7/629 X

D. 285,416 9/1986 Dart et al. D9/447

D. 288,667 3/1987 Miner D9/443

D. 308,169 5/1990 Anman D9/446

D. 314,708 2/1991 DeCoster D9/435 X

D. 318,777 8/1991 Freese D7/392

D. 323,116 1/1992 Dart et al. D9/435 X

D. 332,379 1/1993 Murphy D7/391

D. 333,065 2/1993 Murphy D7/391

D. 352,899 11/1994 Molo D9/447

D. 354,438 1/1995 Miller D9/438

D. 359,905 7/1995 Molo D9/449 X

D. 360,105 7/1995 Doxey D7/391

CLAIM

[57] The ornamental design for a lid, as shown and described.

DESCRIPTION

FIG. 1 is a top left front perspective view of a lid showing my new design;

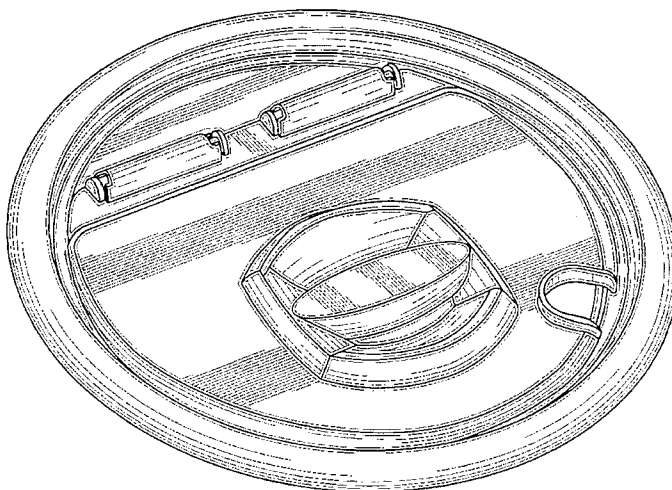
FIG. 2 is a bottom plan view thereof;

FIG. 3 is a top plan view thereof;

FIG. 4 is a front elevational view thereof; the rear elevational view being a mirror image; and,

FIG. 5 is a left side elevational view thereof; the right side elevational view being a mirror image.

1 Claim, 3 Drawing Sheets



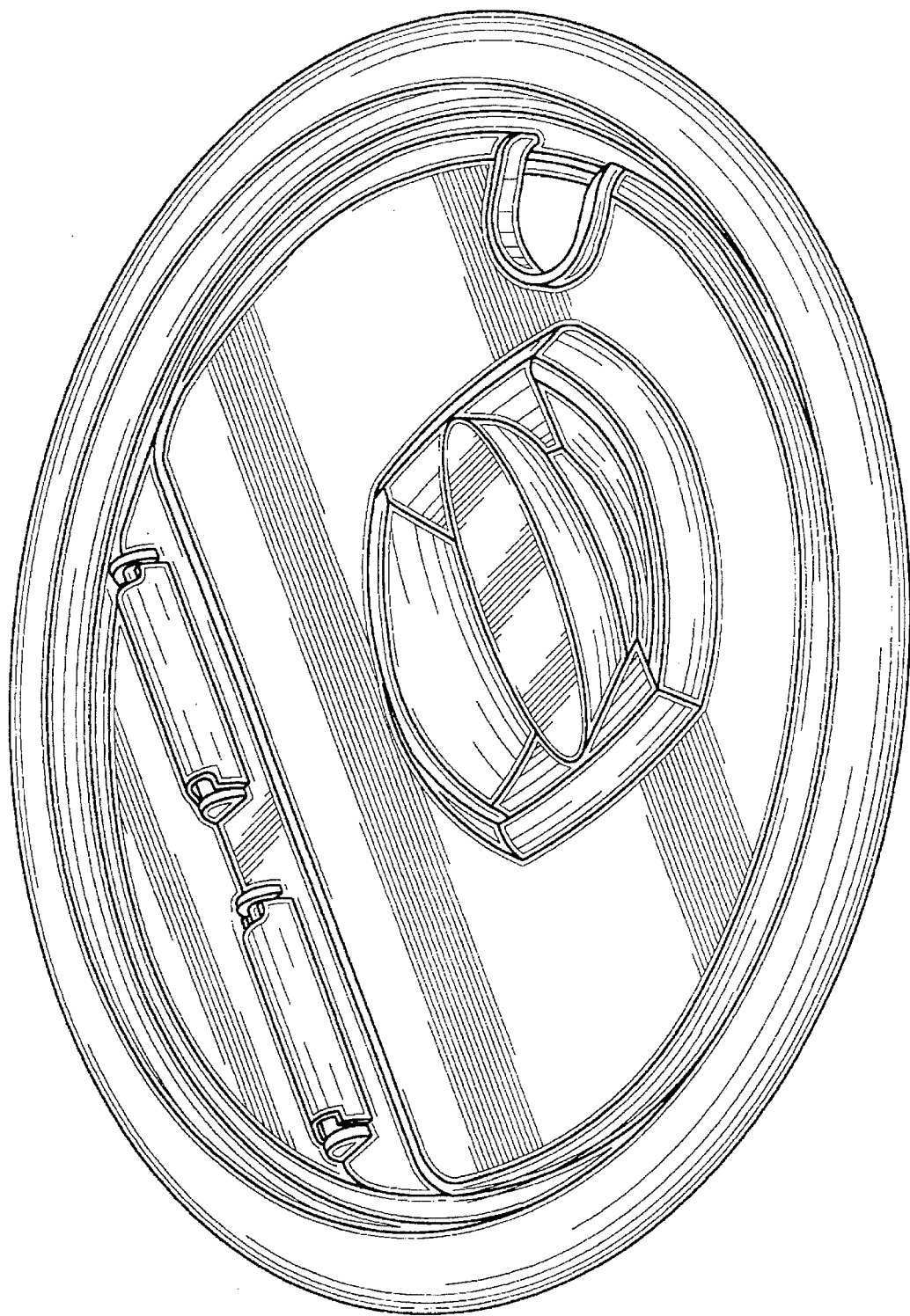


FIG. 1

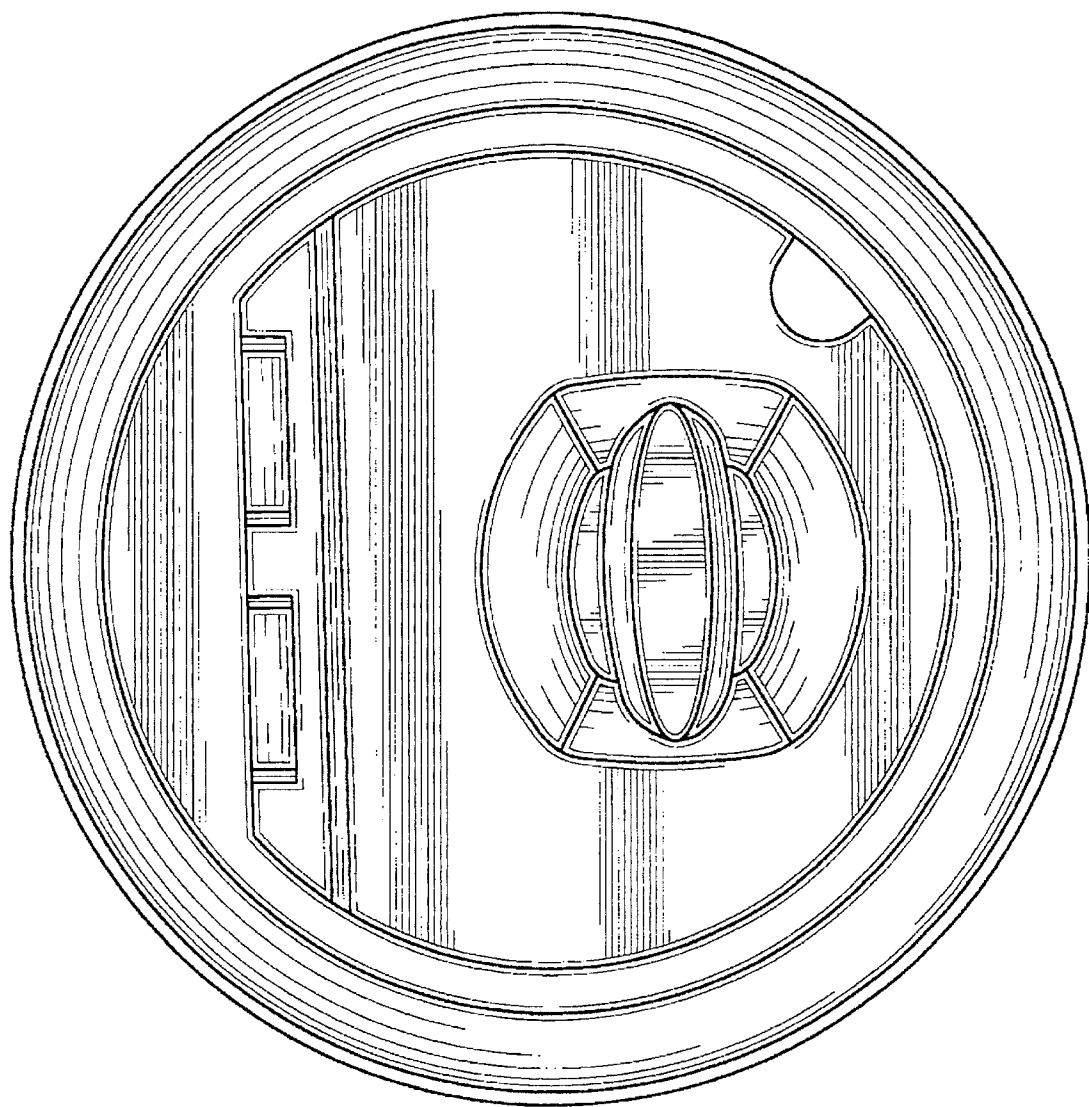


FIG. 2

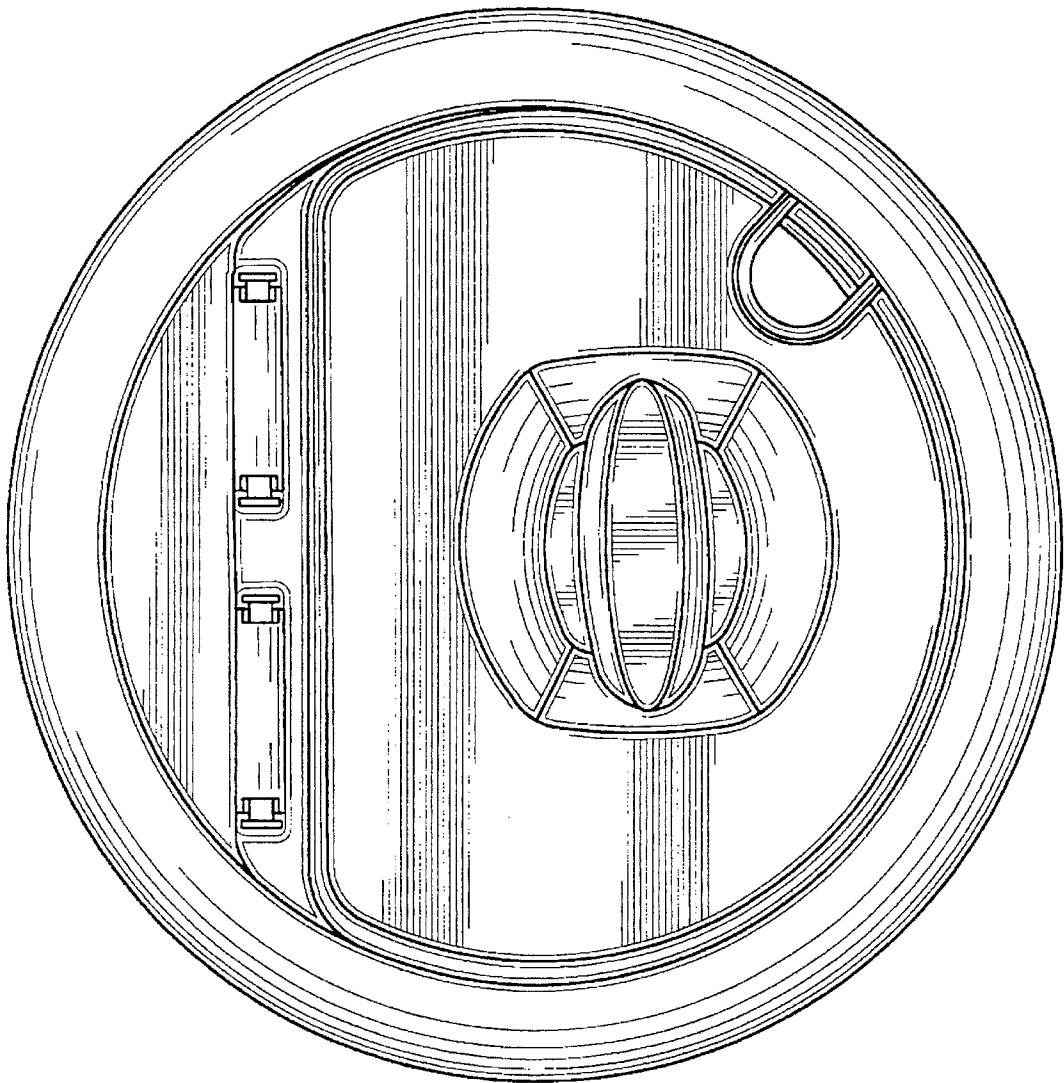


FIG. 3

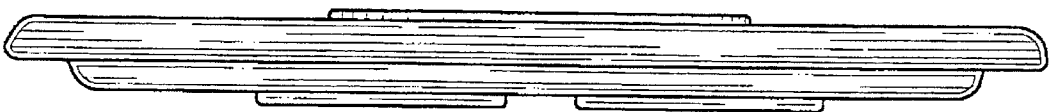


FIG. 4

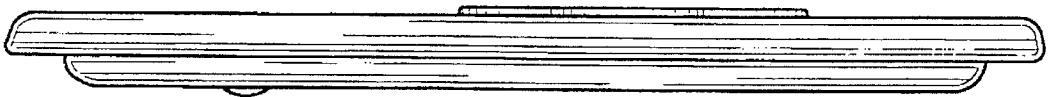


FIG. 5