



- (51) International Patent Classification:
H04W 36/08 (2009.01)
- (21) International Application Number:
PCT/IB2008/053570
- (22) International Filing Date:
3 September 2008 (03.09.2008)
- (25) Filing Language: English
- (26) Publication Language: English
- (30) Priority Data:
60/967,463 4 September 2007 (04.09.2007) US
- (71) Applicant (for all designated States except US): NOKIA SIEMENS NETWORKS OY [FI/FI]; Karaportti 3, FIN-02610 Espoo (FI).
- (71) Applicant (for LC only): NOKIA, INC. [US/US]; 6021 Connection Drive MS 2-5-520, Irving, TX 75039 (US).
- (72) Inventors; and
- (75) Inventors/Applicants (for US only): BREUER, Volker [DE/DE]; Schwalbenring 20, 16727 Botzow (DE). VESELY, Alexander [AT/AT]; Raabau 119, A-8330 Raabau (AT).
- (74) Agents: HARRINGTON, Mark, F. et al.; Harrington & Smith, PC, 4 Research Drive, Shelton, CT 06484-6212 (US).

- (81) Designated States (unless otherwise indicated, for every kind of national protection available): AE, AG, AL, AM, AO, AT, AU, AZ, BA, BB, BG, BH, BR, BW, BY, BZ, CA, CH, CN, CO, CR, CU, CZ, DE, DK, DM, DO, DZ, EC, EE, EG, ES, FI, GB, GD, GE, GH, GM, GT, HN, HR, HU, ID, IL, IN, IS, JP, KE, KG, KM, KN, KP, KR, KZ, LA, LC, LK, LR, LS, LT, LU, LY, MA, MD, ME, MG, MK, MN, MW, MX, MY, MZ, NA, NG, NI, NO, NZ, OM, PG, PH, PL, PT, RO, RS, RU, SC, SD, SE, SG, SK, SL, SM, ST, SV, SY, TJ, TM, TN, TR, TT, TZ, UA, UG, US, UZ, VC, VN, ZA, ZM, ZW.
- (84) Designated States (unless otherwise indicated, for every kind of regional protection available): ARIPO (BW, GH, GM, KE, LS, MW, MZ, NA, SD, SL, SZ, TZ, UG, ZM, ZW), Eurasian (AM, AZ, BY, KG, KZ, MD, RU, TJ, TM), European (AT, BE, BG, CH, CY, CZ, DE, DK, EE, ES, FI, FR, GB, GR, HR, HU, IE, IS, IT, LT, LU, LV, MC, MT, NL, NO, PL, PT, RO, SE, SI, SK, TR), OAPI (BF, BJ, CF, CG, CI, CM, GA, GN, GQ, GW, ML, MR, NE, SN, TD, TG).

Published:

- with international search report (Art. 21(3))
- before the expiration of the time limit for amending the claims and to be republished in the event of receipt of amendments (Rule 48.2(h))

(88) Date of publication of the international search report:
3 September 2009

[Continued on next page]

(54) Title: REDUCED PING PONG OCCURRENCE DURING HANDOVER

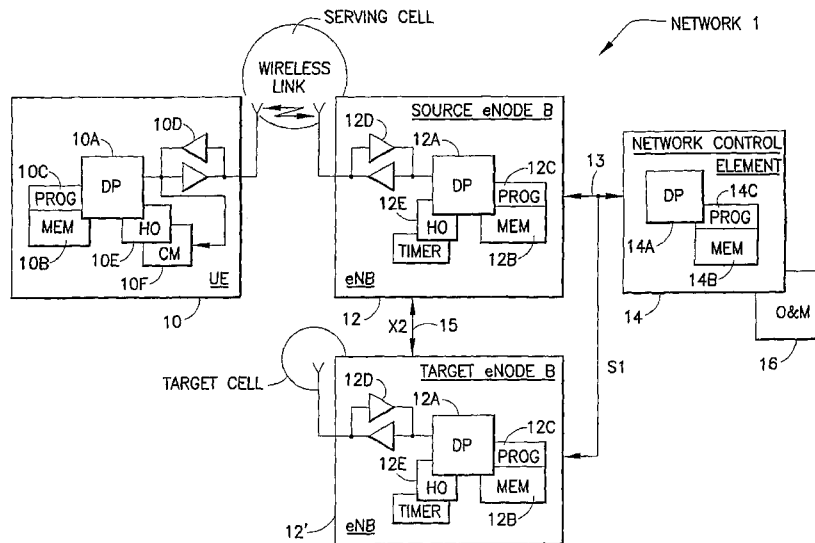


FIG. 1

(57) Abstract: Disclosed is a method, computer-readable memory medium and apparatus configured to reduce an occurrence of handover ping ponging of a user equipment between network access nodes.

WO 2009/031108 A3

(15) Information about Correction:

Previous Correction:

see Notice of 14 May 2009

INTERNATIONAL SEARCH REPORT

International application No
PCT/IB2008/053570

A. CLASSIFICATION OF SUBJECT MATTER
INV. H04W36/08

According to International Patent Classification (IPC) or to both national classification and IPC

B. FIELDS SEARCHED

Minimum documentation searched (classification system followed by classification symbols)
H04W

Documentation searched other than minimum documentation to the extent that such documents are included in the fields searched

Electronic data base consulted during the international search (name of data base and, where practical, search terms used)

EPO-Internal

C. DOCUMENTS CONSIDERED TO BE RELEVANT

Category*	Citation of document, with indication, where appropriate, of the relevant passages	Relevant to claim No.
A	US 2007/123252 A1 (TRONC JEROME [FR] ET AL) 31 May 2007 (2007-05-31) abstract paragraphs [0048] - [0053]	1-37
A	US 2003/190916 A1 (CELEDON RAFAEL [US] ET AL) 9 October 2003 (2003-10-09) paragraphs [0038], [0039]	1-37
A	EP 1 816 794 A (SAMSUNG ELECTRONICS CO LTD [KR]) 8 August 2007 (2007-08-08) paragraphs [0049] - [0057]	1-37

Further documents are listed in the continuation of Box C.

See patent family annex.

* Special categories of cited documents:

- *A* document defining the general state of the art which is not considered to be of particular relevance
- *E* earlier document but published on or after the international filing date
- *L* document which may throw doubts on priority claim(s) or which is cited to establish the publication date of another citation or other special reason (as specified)
- *O* document referring to an oral disclosure, use, exhibition or other means
- *P* document published prior to the international filing date but later than the priority date claimed

- *T* later document published after the international filing date or priority date and not in conflict with the application but cited to understand the principle or theory underlying the invention
- *X* document of particular relevance: the claimed invention cannot be considered novel or cannot be considered to involve an inventive step when the document is taken alone
- *Y* document of particular relevance: the claimed invention cannot be considered to involve an inventive step when the document is combined with one or more other such documents, such combination being obvious to a person skilled in the art.
- *&* document member of the same patent family

Date of the actual completion of the international search

10 July 2009

Date of mailing of the international search report

20/07/2009

Name and mailing address of the ISA/

European Patent Office, P.B. 5818 Patentlaan 2
NL - 2280 HV Rijswijk
Tel. (+31-70) 340-2040.
Fax: (+31-70) 340-3016

Authorized officer

Falò, Luca

INTERNATIONAL SEARCH REPORT

Information on patent family members

International application No PCT/IB2008/053570
--

Patent document cited in search report	Publication date	Patent family member(s)	Publication date
US 2007123252	A1	31-05-2007	NONE
<hr style="border-top: 1px dashed black;"/>			
US 2003190916	A1	09-10-2003	AU 2003216576 A1 20-10-2003
			EP 1493293 A1 05-01-2005
			WO 03086001 A1 16-10-2003
			JP 2005522156 T 21-07-2005
<hr style="border-top: 1px dashed black;"/>			
EP 1816794	A	08-08-2007	AU 2005219314 A1 15-09-2005
			BR PI0508179 A 07-08-2007
			CA 2554778 A1 15-09-2005
			JP 2007527176 T 20-09-2007
			US 2007249355 A1 25-10-2007
<hr style="border-top: 1px dashed black;"/>			