



US00D992178S

(12) **United States Design Patent**  
**He**

(10) **Patent No.:** **US D992,178 S**

(45) **Date of Patent:** **\*\* Jul. 11, 2023**

- (54) **VEHICLE HEADLIGHT**
- (71) Applicant: **Arex Industries, Inc.**, Irwindale, CA (US)
- (72) Inventor: **Mizeng He**, TaiZhou (CN)
- (\*\*) Term: **15 Years**
- (21) Appl. No.: **29/813,837**
- (22) Filed: **Nov. 1, 2021**
- (51) **LOC (14) Cl.** ..... **26-06**
- (52) **U.S. Cl.**  
USPC ..... **D26/28**
- (58) **Field of Classification Search**  
USPC ..... D26/28, 29, 30, 31, 32, 33, 34, 35, 36, D26/139  
CPC ..... F21S 41/00; F21S 41/141; F21S 41/162; F21S 41/18; F21S 41/20; F21S 41/33; F21S 41/36; F21S 41/60; F21S 43/00; F21W 2103/35; F21W 2103/40; F21W 2102/17; F21W 2102/30; F21W 2103/00; F21W 2103/55; F21W 2104/00; F21W 2107/17; F21W 2107/13  
See application file for complete search history.

D893,776 S *	8/2020	Lin	.....	D26/28
D899,641 S *	10/2020	He	.....	D26/28
D900,359 S *	10/2020	He	.....	D26/28
D919,845 S *	5/2021	Lin	.....	D26/28
D925,078 S *	7/2021	Lin	.....	D26/28
D929,622 S *	8/2021	Wu	.....	D26/28
D962,506 S *	8/2022	He	.....	D26/28
D962,507 S *	8/2022	He	.....	D26/28
D962,509 S *	8/2022	He	.....	D26/28

\* cited by examiner

*Primary Examiner* — Angela J Lee  
(74) *Attorney, Agent, or Firm* — Theodore Lee, Esq.

(57) **CLAIM**

The ornamental design for a vehicle headlight, as shown and described.

**DESCRIPTION**

FIG. 1 is a perspective view of a vehicle headlight according to the novel design;  
FIG. 2 is a left side view thereof;  
FIG. 3 is a front view thereof;  
FIG. 4 is a right side view thereof;  
FIG. 5 is a back side view thereof;  
FIG. 6 an alternative perspective view thereof; and,  
FIG. 7 a top view thereof.

The drawings and descriptions represent the right side embodiment. The claim is also for a mirror image of a left side embodiment that is not shown.

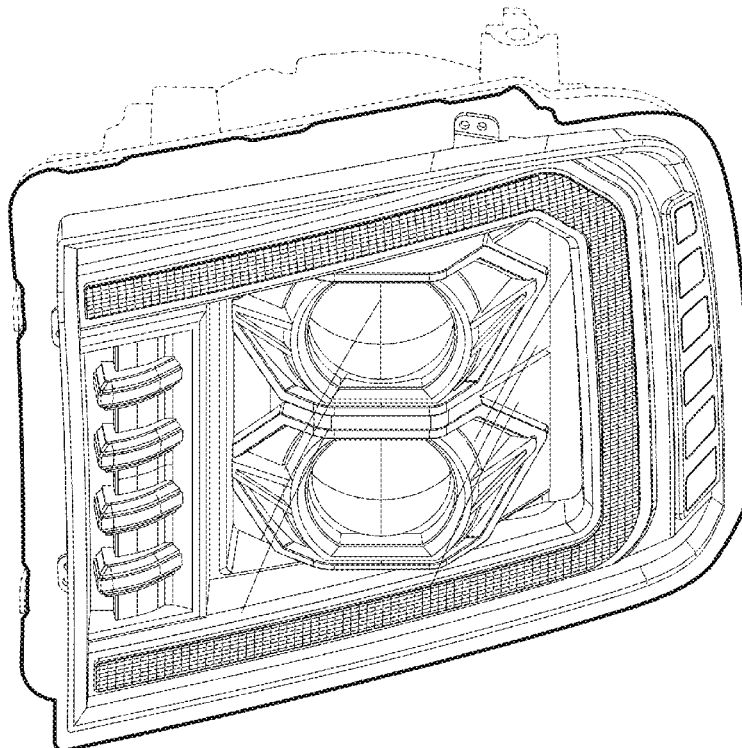
The broken lines shown in the drawings represent portions of the vehicle headlight that form no part of the claimed design.

**1 Claim, 7 Drawing Sheets**

(56) **References Cited**

U.S. PATENT DOCUMENTS

D831,246 S *	10/2018	Yang	.....	D26/28
D842,503 S *	3/2019	Yang	.....	D26/28
D889,003 S *	6/2020	He	.....	D26/28
D889,707 S *	7/2020	Wu	.....	D26/28



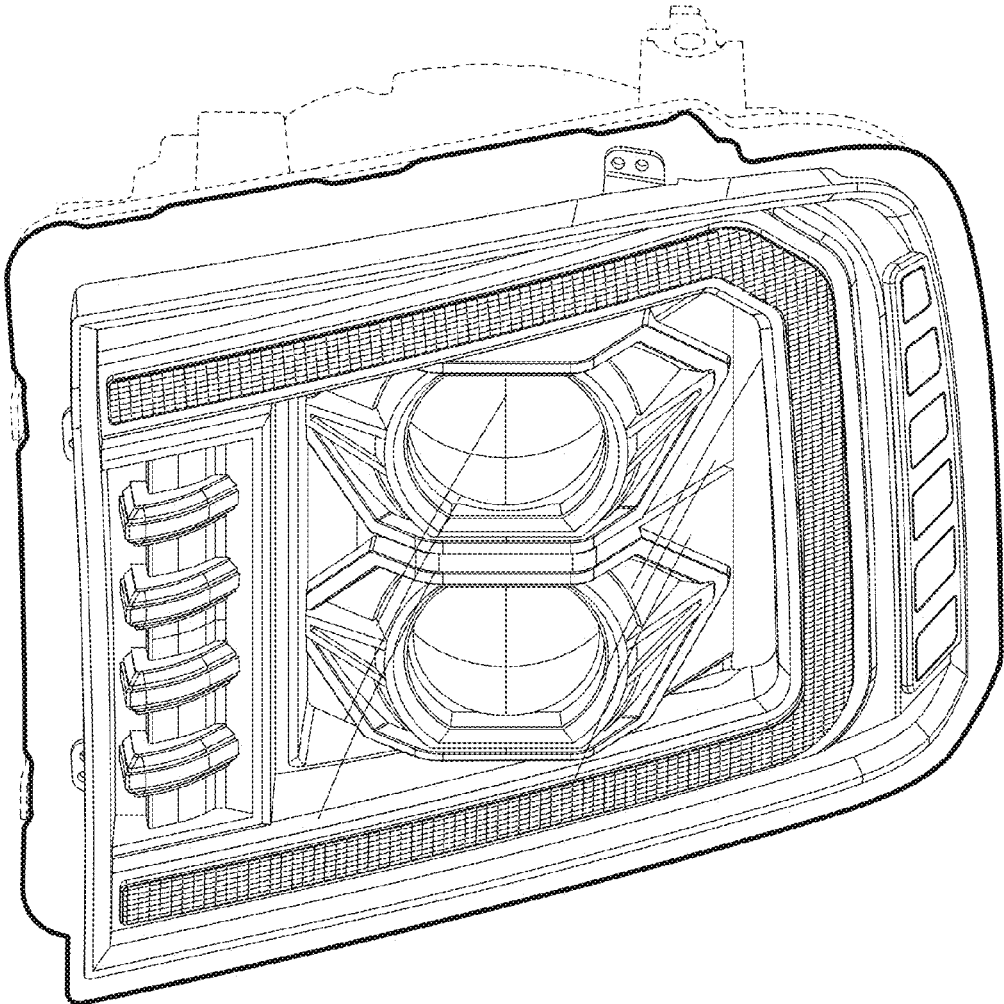


FIG. 1

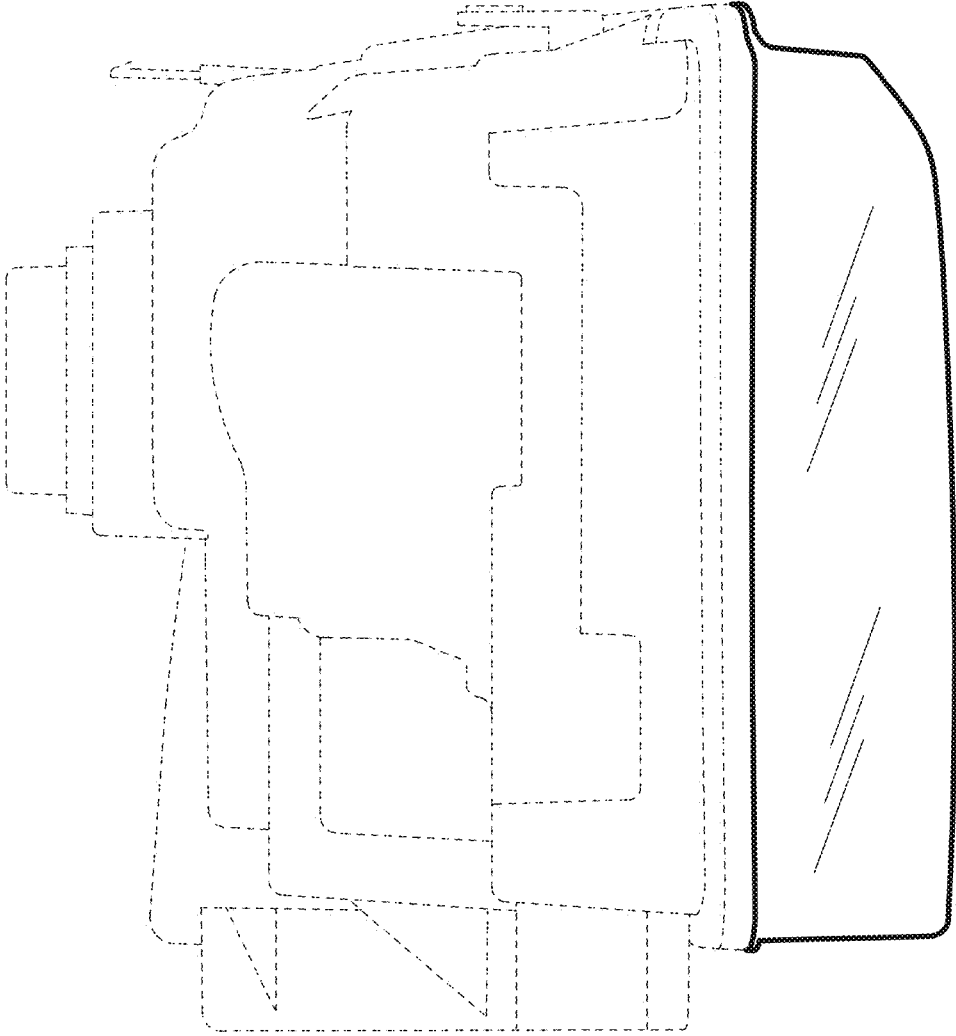


FIG. 2

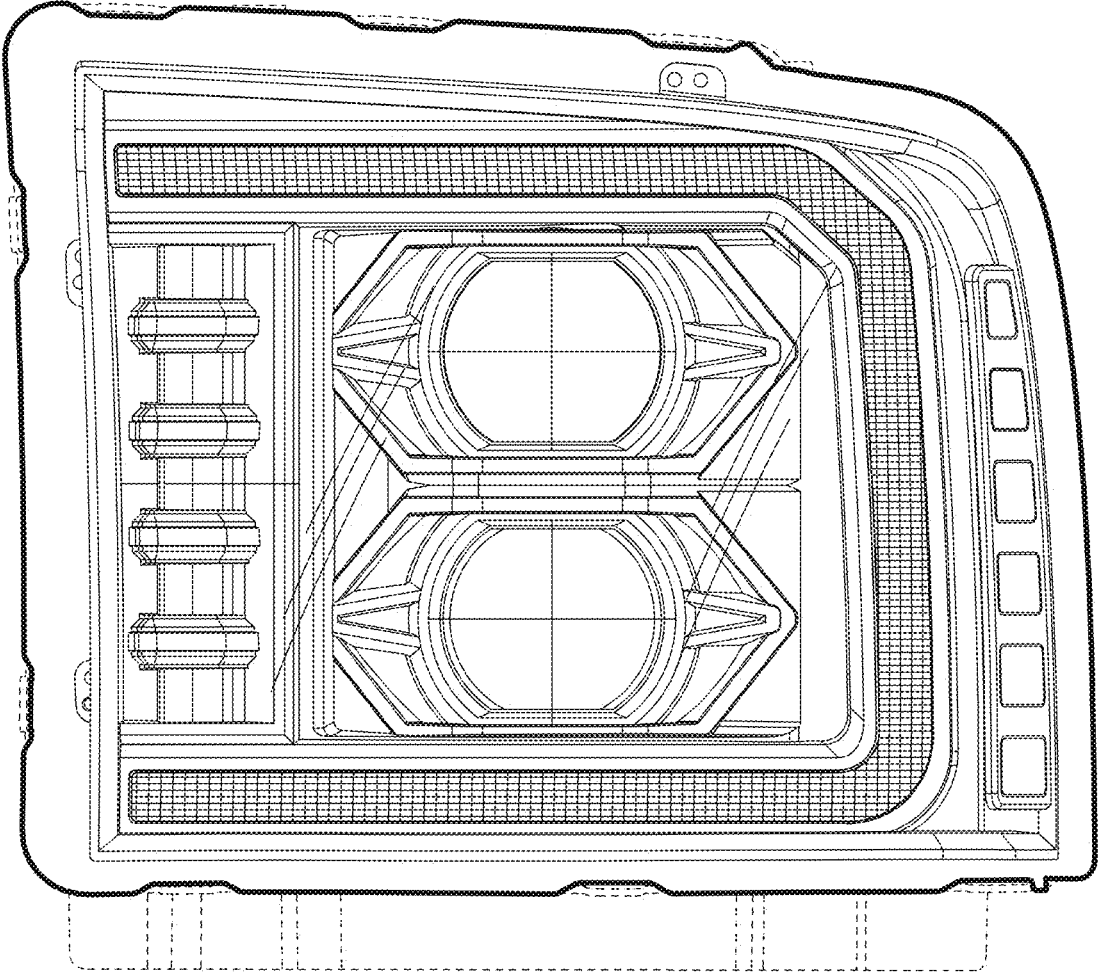


FIG. 3

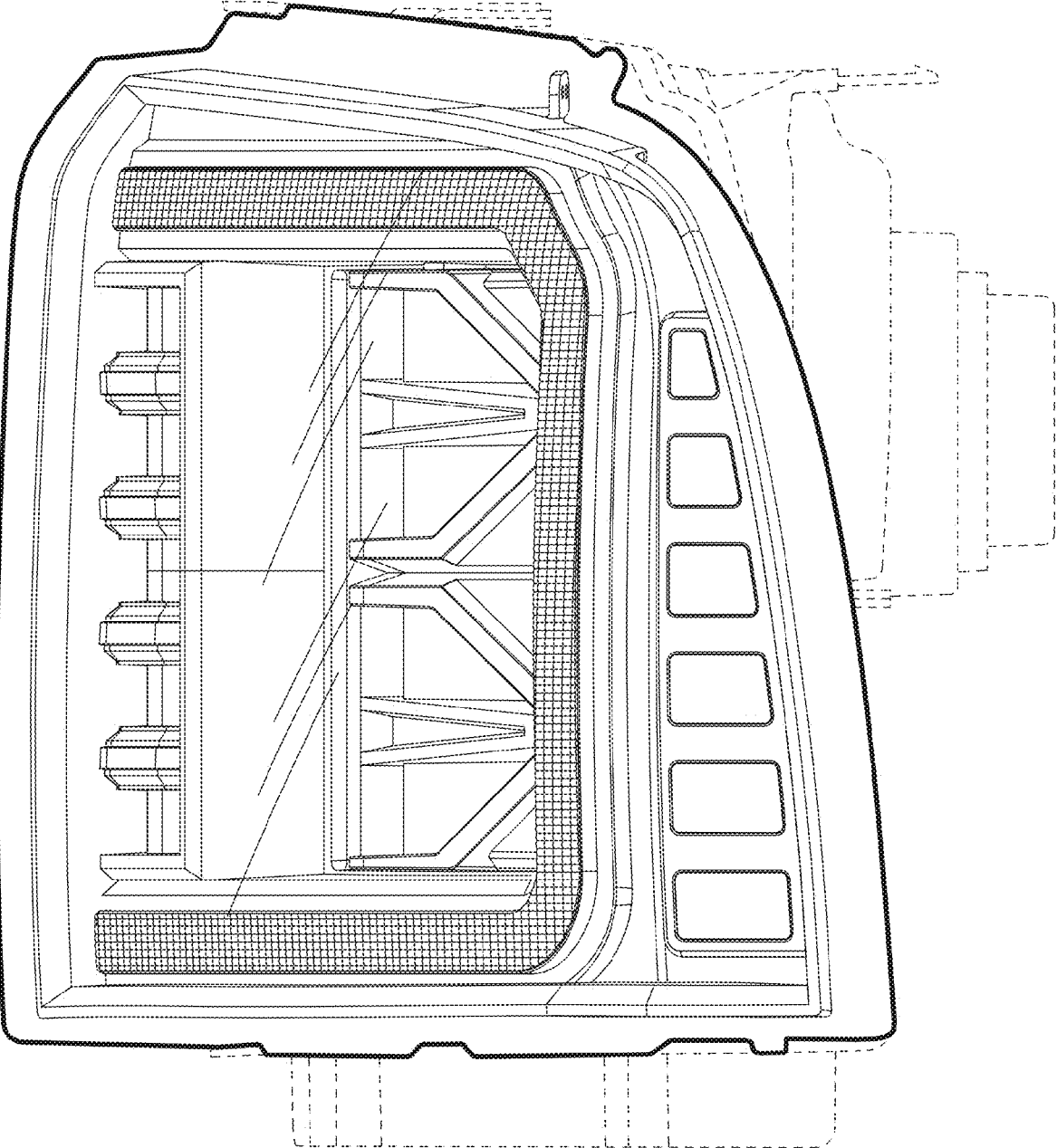


FIG. 4

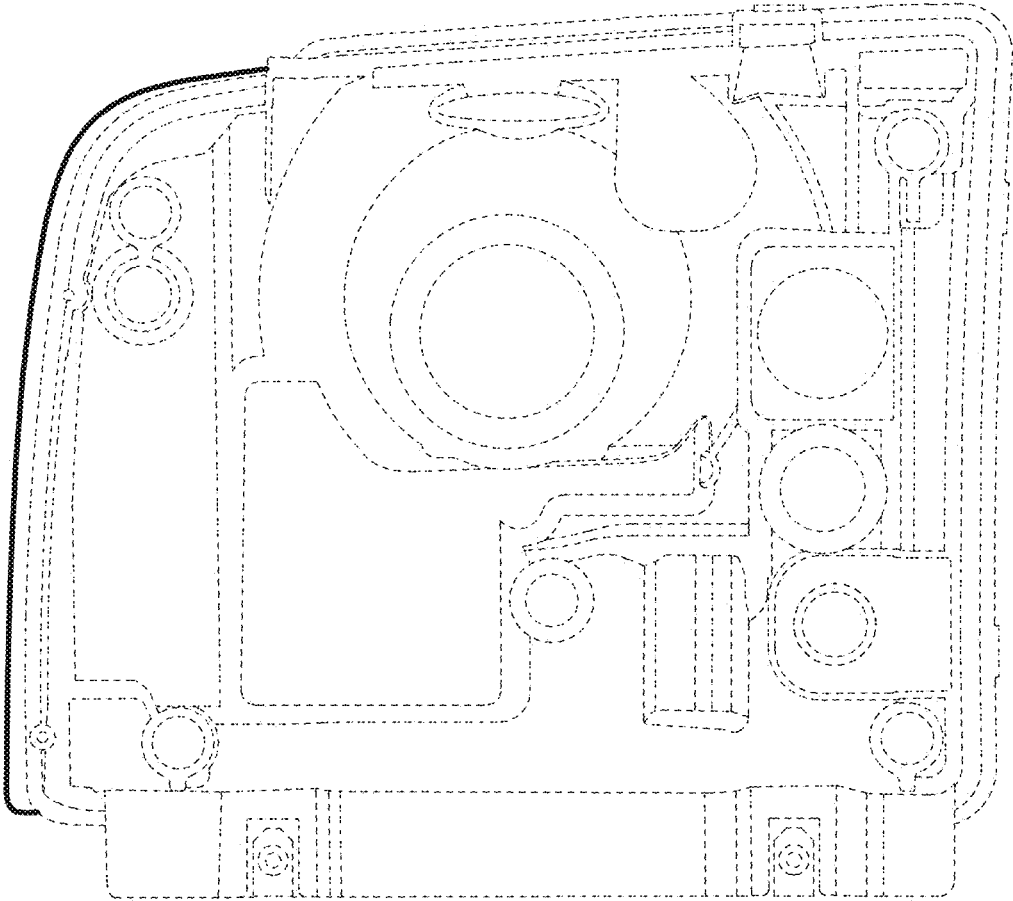


FIG. 5

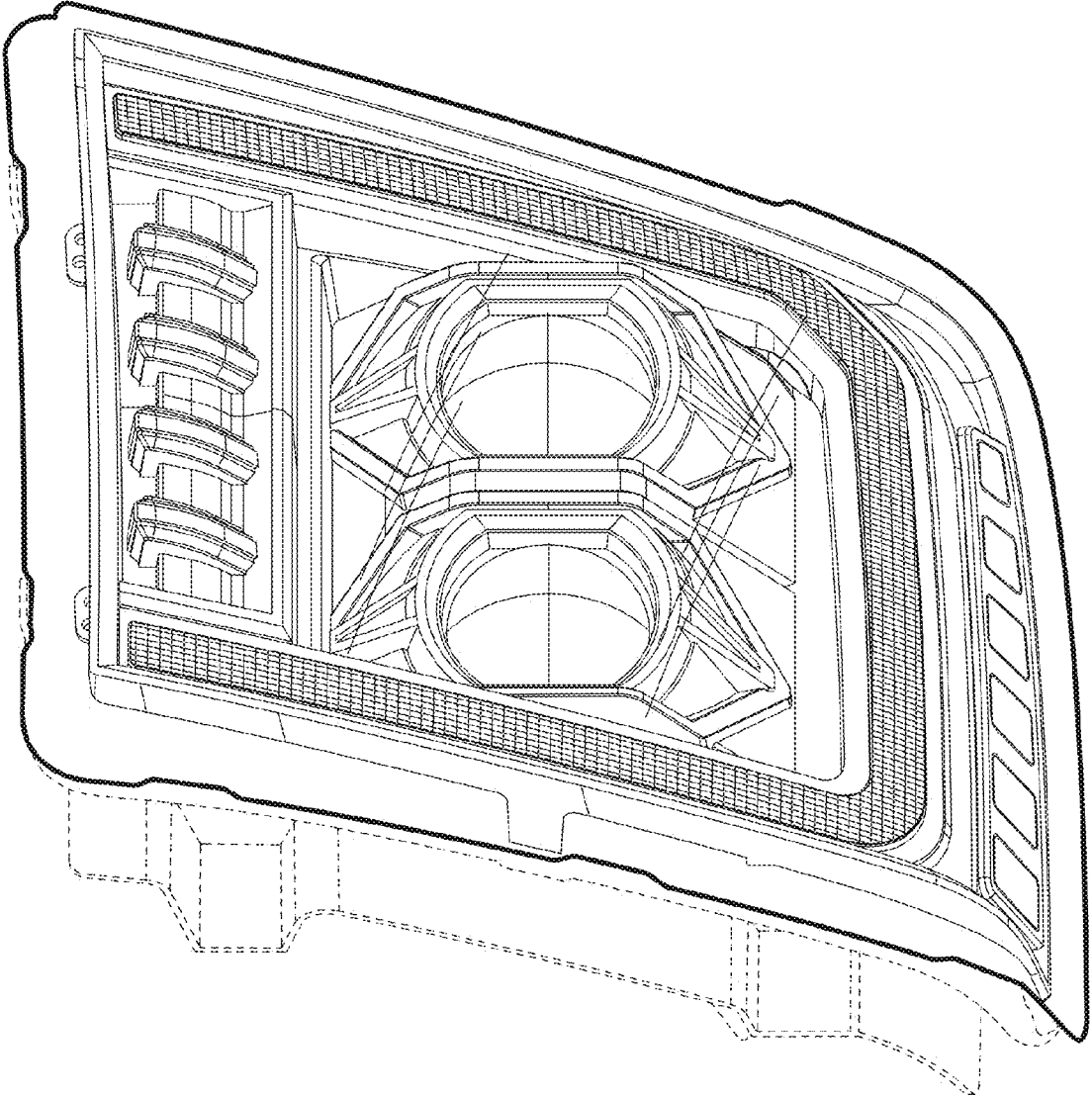


FIG. 6

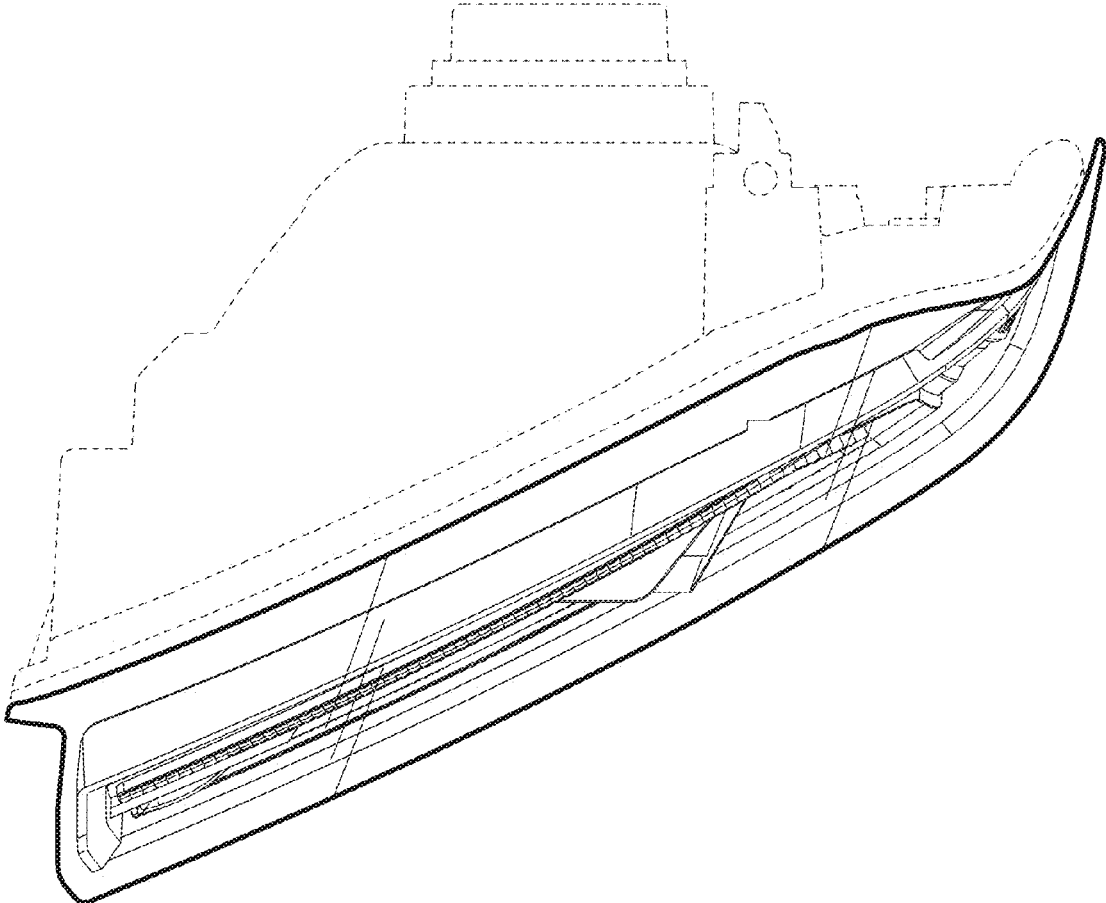


FIG. 7