



US00RE48037E

(19) **United States**  
(12) **Reissued Patent**  
**Marina et al.**

(10) **Patent Number:** **US RE48,037 E**  
(45) **Date of Reissued Patent:** **Jun. 9, 2020**

(54) **CAP AND CONTAINER**

FOREIGN PATENT DOCUMENTS

(71) Applicant: **PepsiCo, Inc.**, Purchase, NY (US)

CA 154626 11/2014  
WO 2013/103589 7/2013

(72) Inventors: **Carlos Hernan Marina**, Deerfield Beach, FL (US); **Jorge Manuel Maquita Nakano**, Distrito Federal (MX); **Tucker Fort**, Brooklyn, NY (US); **Carlos Francisco Gomez**, Querétaro (MX); **Paul Katz**, New York, NY (US); **Jacob Pamborg**, New York, NY (US); **Christopher R. Xydis**, New York, NY (US)

*Primary Examiner* — Philip S Hyder  
(74) *Attorney, Agent, or Firm* — Sterne, Kessler, Goldstein & Fox P.L.L.C.

(57) **CLAIM**

The ornamental design for a cap *and container*, as shown and described.

**DESCRIPTION**

(73) Assignee: **PepsiCo, Inc.**, Purchase, NY (US)

FIG. 1 is a top perspective view of a cap *and container* showing our new design;  
FIG. 2 is a front view thereof;  
FIG. 3 is a right side view thereof;  
FIG. 4 is a rear view thereof;  
FIG. 5 is a left side view thereof;  
FIG. 6 is a top view thereof;  
FIG. 7 is a bottom view thereof;  
FIG. 8 is a bottom, front, right perspective view thereof;  
FIG. 9 is a top perspective view thereof shown in an exemplary unclaimed environment;  
FIG. 10 is a top perspective view thereof shown in an exemplary unclaimed environment; [and,]  
FIG. 11 is a right side view thereof shown in an exemplary unclaimed environment[.];  
*FIG. 12 is a top perspective view of the container and cap; FIG. 13 is a side view thereof; and, FIG. 14 is a top perspective exploded view thereof.*  
The broken lines immediately adjacent to the shaded area represent unclaimed boundaries of the design. The broken lines showing the remainder of the cap are for environmental purposes only and form no part of the claimed design.

(21) Appl. No.: **29/620,463**

(22) Filed: **Nov. 18, 2016**

**Related U.S. Patent Documents**

Reissue of:

(64) Patent No.: **Des. 717,651**  
Issued: **Nov. 18, 2014**  
Appl. No.: **29/460,549**  
Filed: **Jul. 11, 2013**

(51) **LOC (12) Cl.** ..... **09-07**

(52) **U.S. Cl.**  
USPC ..... **D9/454; D9/519**

(58) **Field of Classification Search**  
USPC .... D7/300, 392.1, 396.2, 703; D9/434, 435, D9/436, 440, 441, 447, 449, 499, 454  
(Continued)

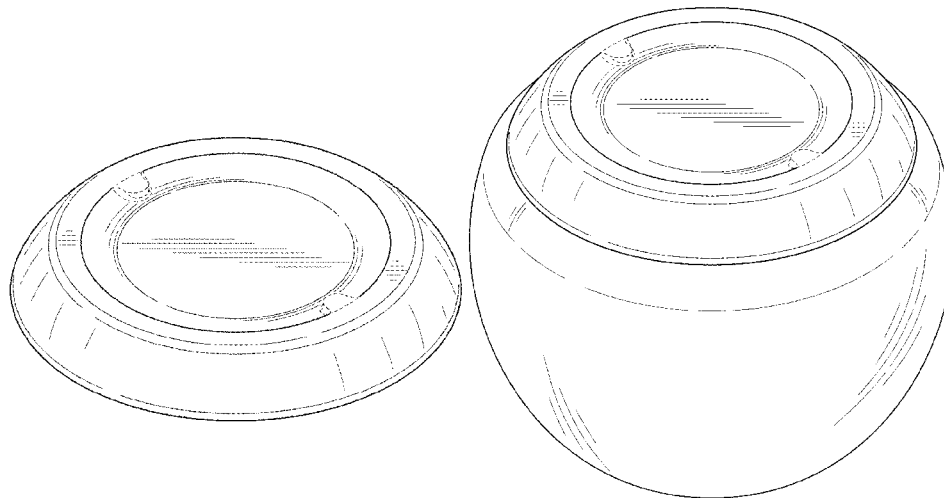
(56) **References Cited**

U.S. PATENT DOCUMENTS

D281,758 S \* 12/1985 Trombly ..... D7/391  
D286,026 S \* 10/1986 Rayner ..... D9/435  
(Continued)

**1 Claim, 10 Drawing Sheets**

**Matter enclosed in heavy brackets [ ] appears in the original patent but forms no part of this reissue; matter printed in italics indicates the additions made by reissue.**



(NEW)

# US RE48,037 E

Page 2

(58) **Field of Classification Search**

CPC ..... B65D 39/0029; B65D 39/0005; B65D 41/00; B65D 41/28; B65D 41/02; B65D 4/0464; B65D 41/0471; B65D 43/00; B65D 43/02; B65D 51/02; B65D 51/04; B65D 51/041; B65D 23/00

See application file for complete search history.

(56) **References Cited**

U.S. PATENT DOCUMENTS

D289,259 S 4/1987 Strand  
D298,592 S 11/1988 Stoop  
D309,109 S \* 7/1990 Allen ..... D9/435  
D373,727 S \* 9/1996 Lowry ..... D9/445  
D381,267 S \* 7/1997 Rush et al. .... D9/452  
D381,268 S \* 7/1997 Rush et al. .... D9/452  
D417,584 S \* 12/1999 Lillelund et al. .... D7/392.1  
D474,978 S 5/2003 Varlet  
D475,573 S \* 6/2003 Jalet et al. .... D7/392.1  
6,574,883 B2 6/2003 Giblin et al.  
D528,359 S \* 9/2006 Laib ..... D7/392.1  
D532,305 S 11/2006 Fellows et al.  
D552,473 S \* 10/2007 Simkin ..... D9/516  
D561,030 S \* 2/2008 Simkin ..... D9/519

D570,212 S \* 6/2008 Sussman ..... D9/444  
D572,535 S \* 7/2008 El-Ghouyel ..... D7/500  
D588,870 S 3/2009 Rasmussen  
D605,523 S 12/2009 Dibnah et al.  
D610,009 S 2/2010 Prufer  
D622,835 S 8/2010 Mendheim  
D641,209 S \* 7/2011 Ablo ..... D7/392.1  
D650,677 S 12/2011 Wurster et al.  
D660,700 S \* 5/2012 MacNeill ..... D9/445  
D664,853 S \* 8/2012 Kipry ..... D28/73  
D675,528 S 2/2013 Beaver  
D676,276 S \* 2/2013 Muspratt-Williams ..... D7/392.1  
D677,162 S \* 3/2013 Sharma ..... D7/392.1  
D697,800 S \* 1/2014 Villarreal ..... D28/82  
D699,578 S 2/2014 Marina et al.  
D701,767 S 4/2014 Marina et al.  
D732,978 S 6/2015 Kick  
D749,368 S 2/2016 Risso et al.  
D793,236 S \* 8/2017 Santos ..... D9/454  
2010/0055252 A1 3/2010 Marina et al. .... A47J 31/407  
426/77  
2011/0166910 A1 7/2011 Marina et al. .... B65D 51/2807  
705/7.29  
2012/0183657 A1 7/2012 Marina et al. .... A47J 31/407  
426/394

\* cited by examiner

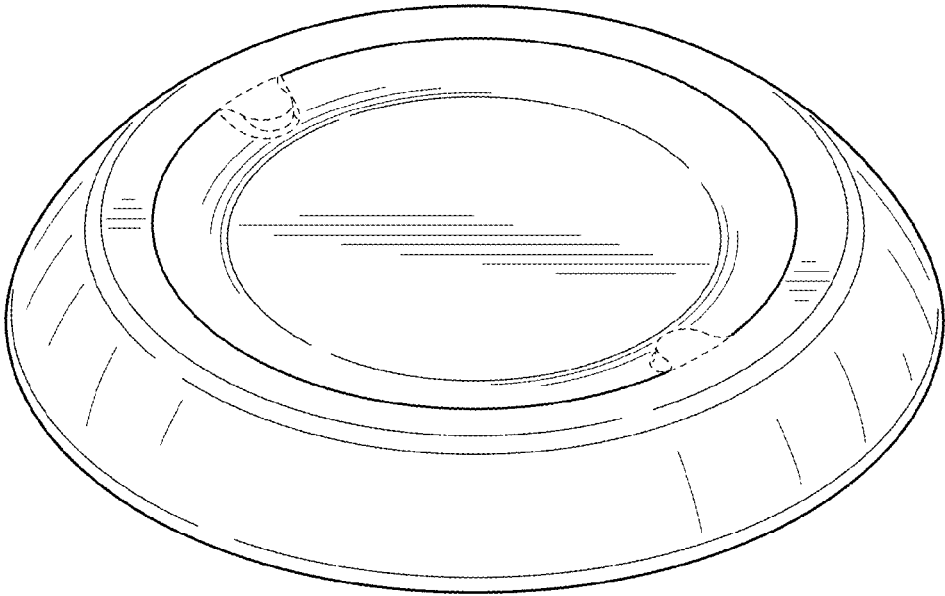


FIG. 1

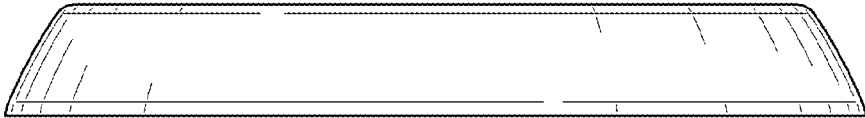


FIG. 2



FIG. 3

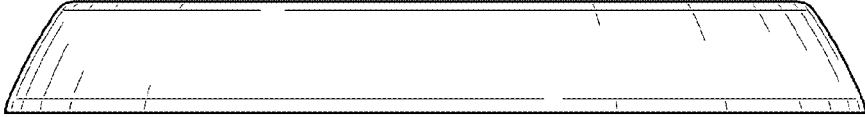


FIG. 4

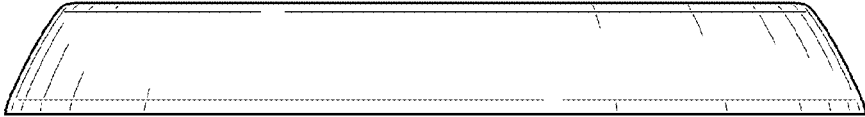


FIG. 5

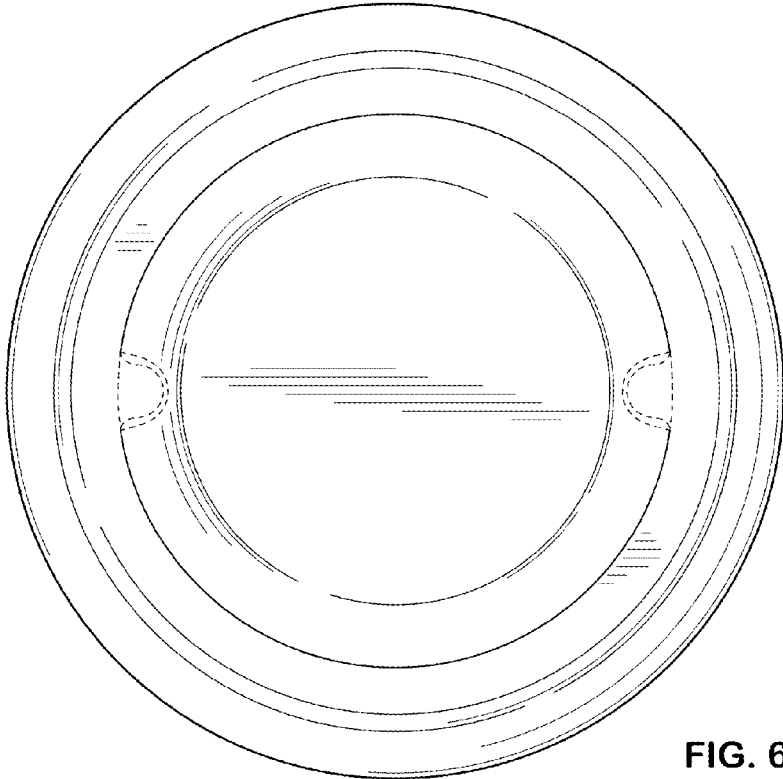


FIG. 6

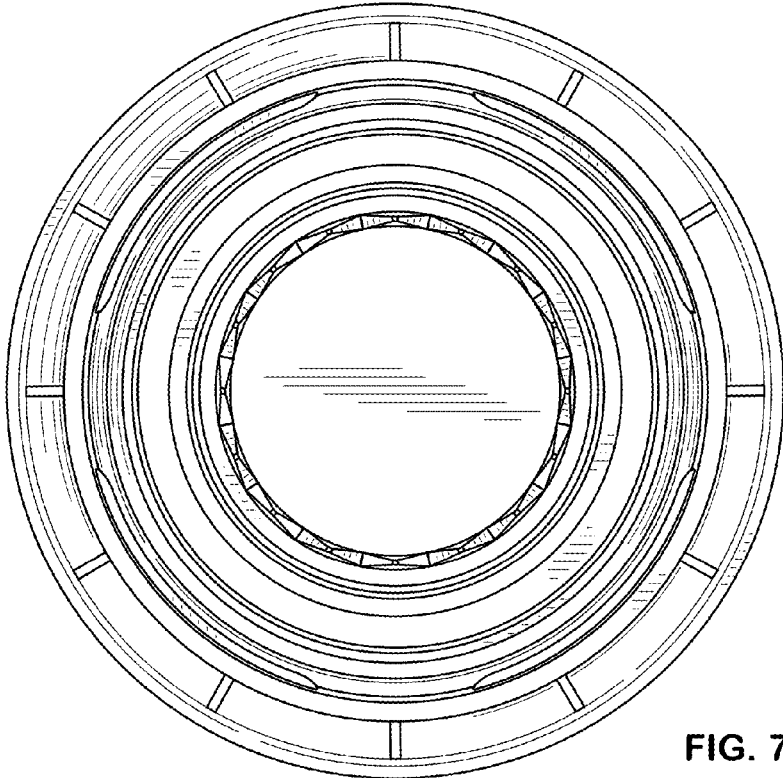


FIG. 7

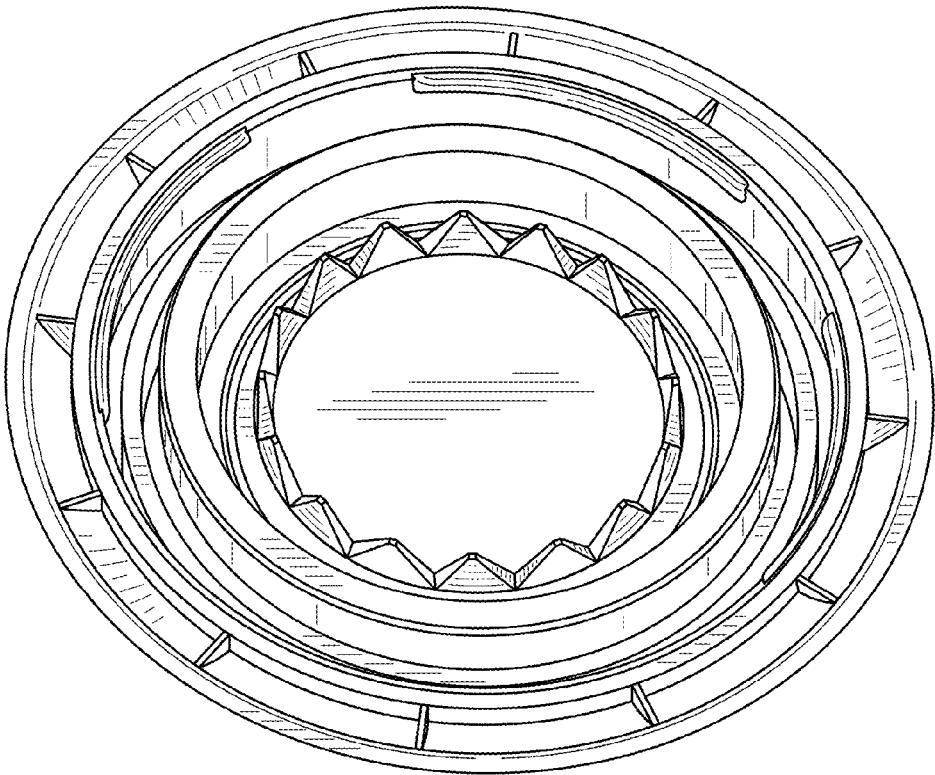


FIG. 8

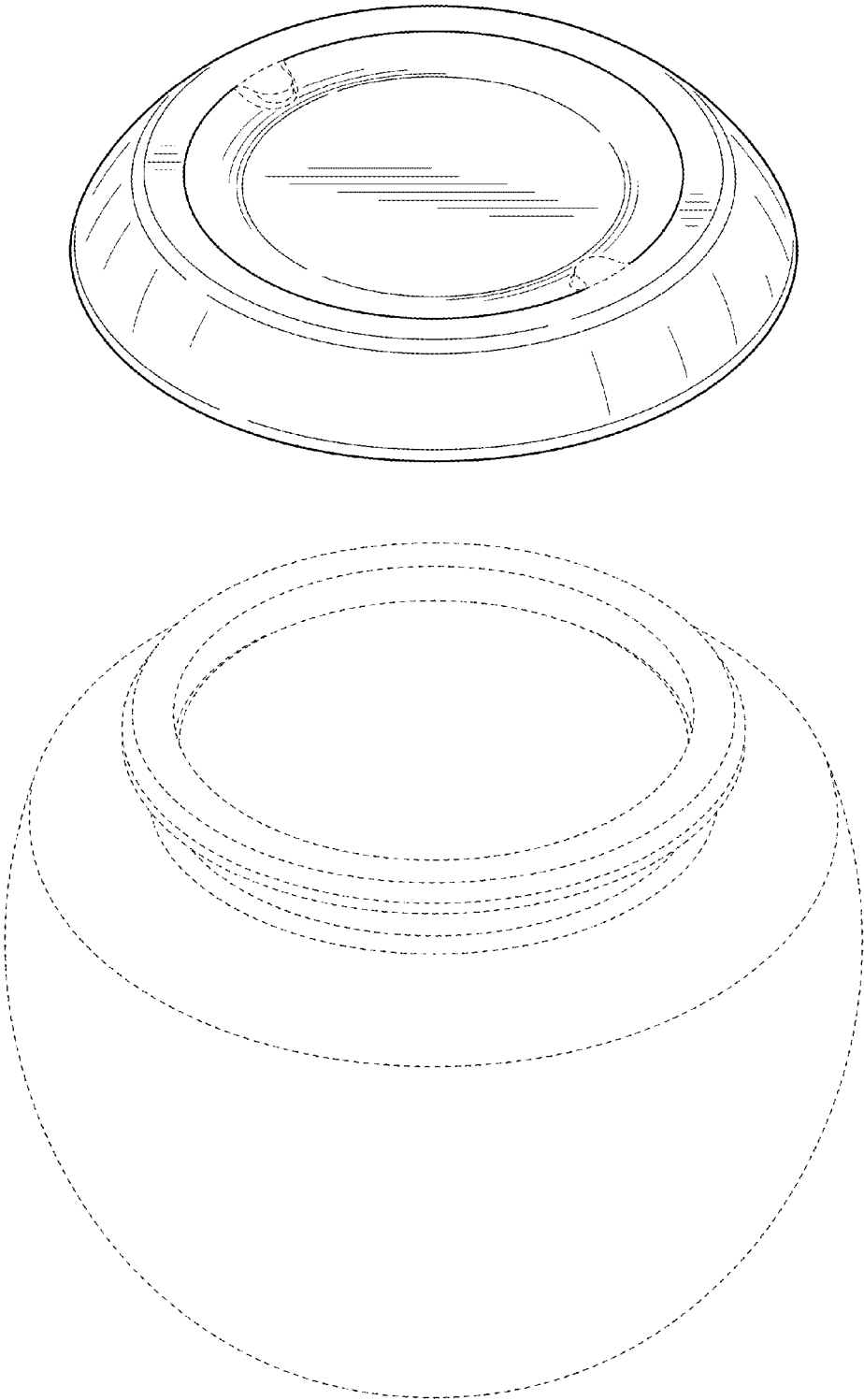


FIG. 9

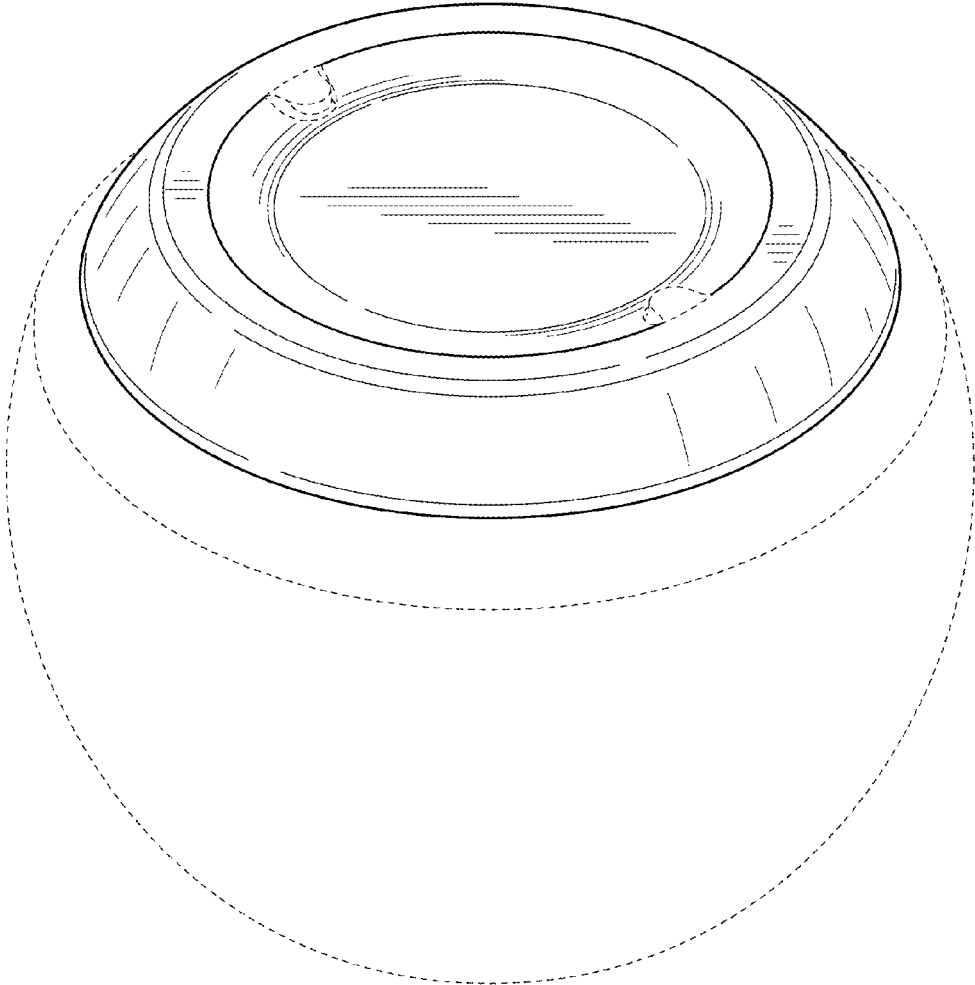


FIG. 10



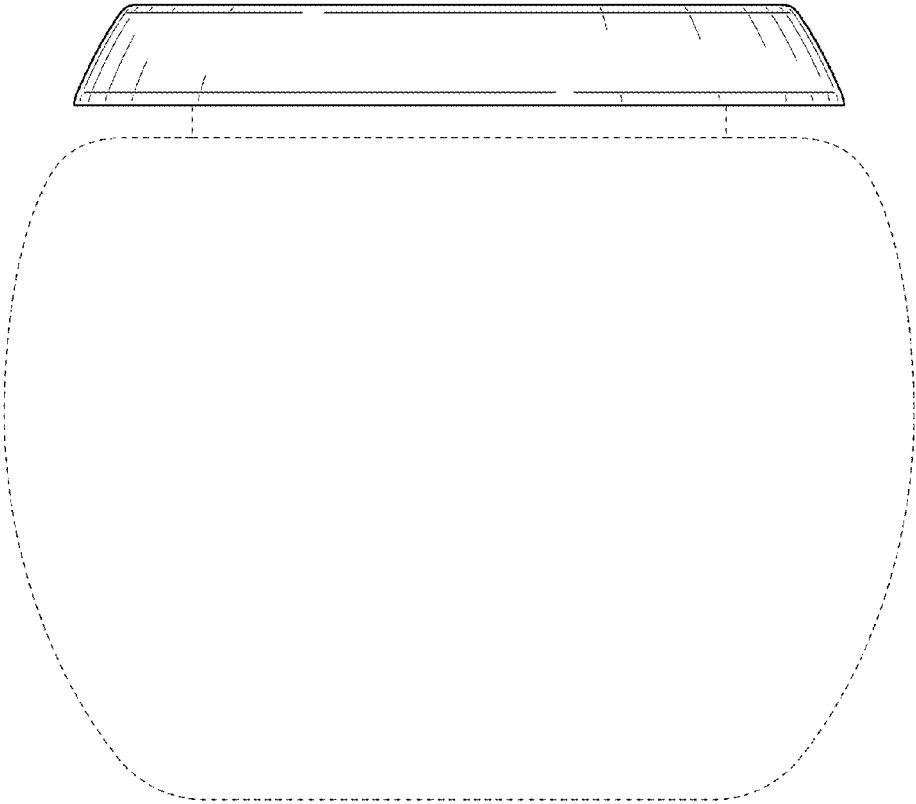


FIG. 11

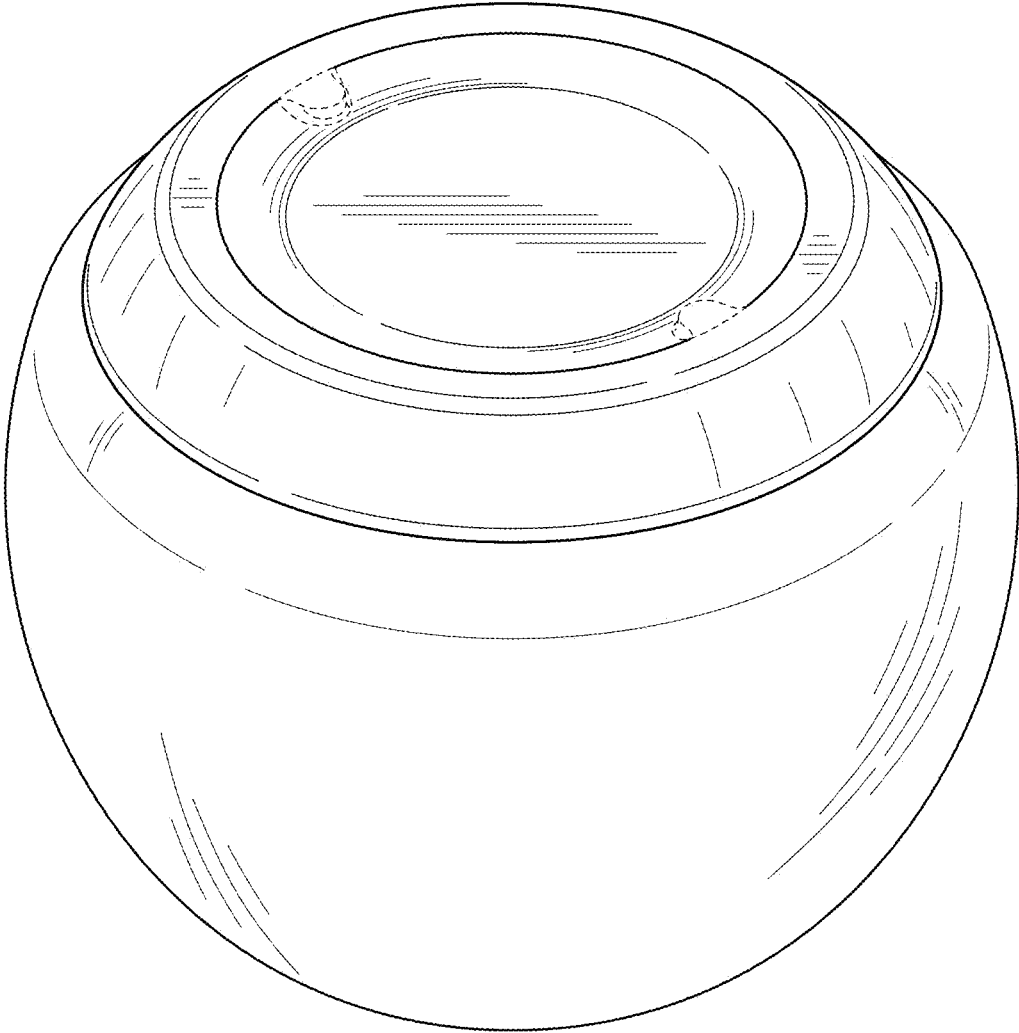


FIG . 12 (NEW)

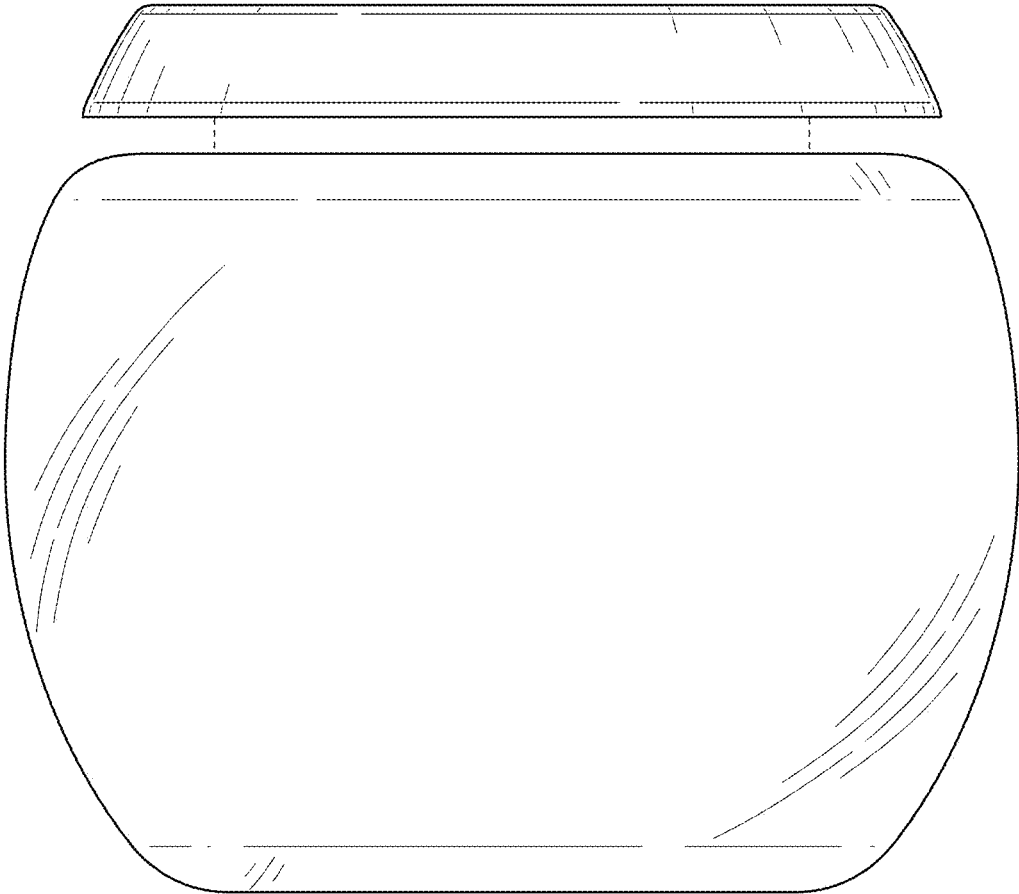


FIG . 13 (NEW)

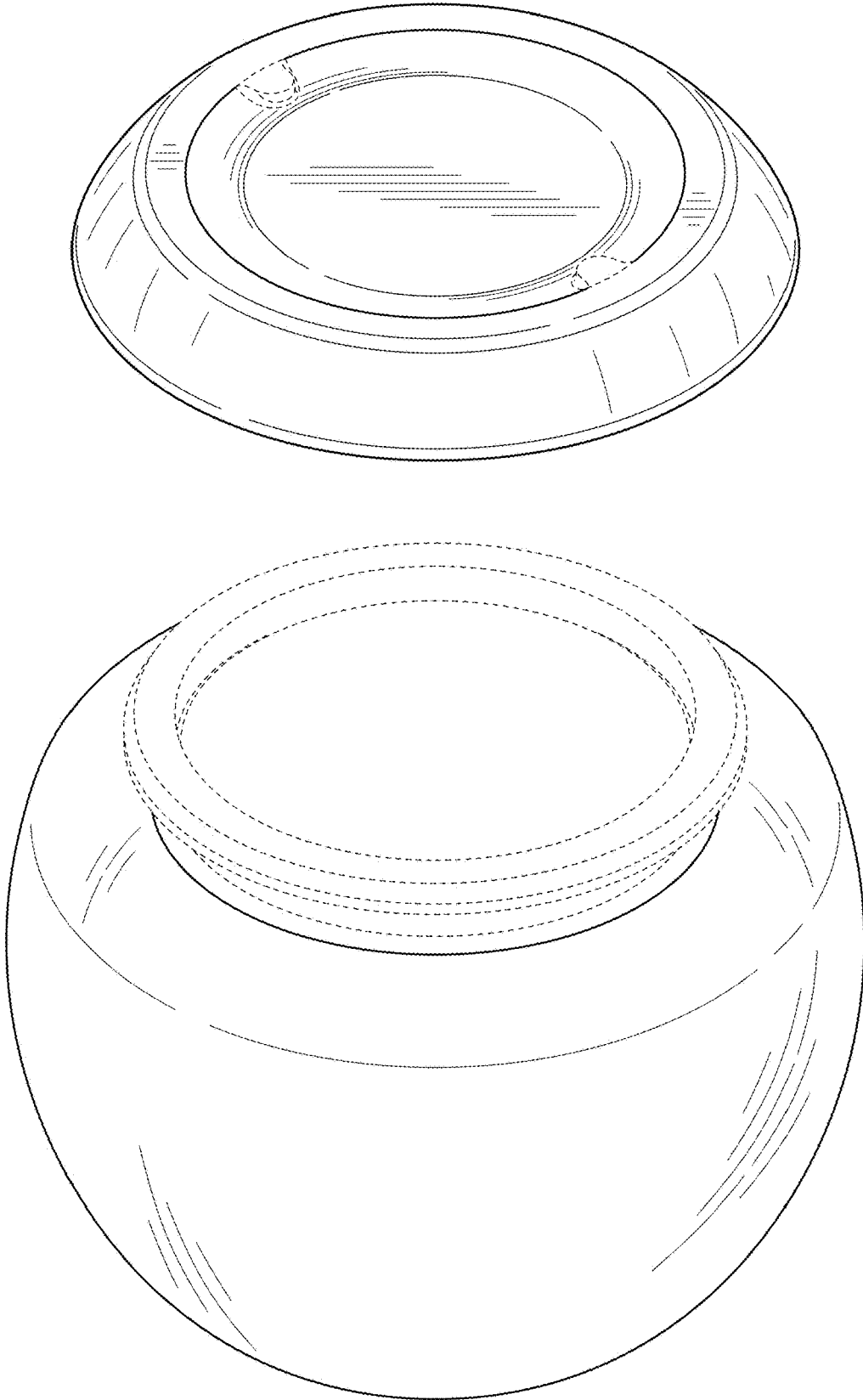


FIG . 14 (NEW)