



US00D615341S

(12) **United States Design Patent**
Lochen

(10) **Patent No.:** **US D615,341 S**

(45) **Date of Patent:** **** May 11, 2010**

(54) **JUG**

D594,690 S * 6/2009 Bursztein D7/319

(75) Inventor: **Romain Lochen**, Champigny-sur-Mame (FR)

* cited by examiner

Primary Examiner—Marianne Pandozzi
(74) *Attorney, Agent, or Firm*—Gallagher & Dawsey Co., LPA; Michael J. Gallagher; David J. Dawsey

(73) Assignee: **ViaPlast SARL**, Champigny-sur-Mame (FR)

(**) Term: **14 Years**

(57) **CLAIM**

(21) Appl. No.: **29/343,285**

I claim the ornamental design for a jug, as shown and described.

(22) Filed: **Sep. 10, 2009**

DESCRIPTION

(51) **LOC (9) Cl.** **07-01**

FIG. 1 is a perspective view of a jug showing my new design;

(52) **U.S. Cl.** **D7/317; D7/319**

FIG. 2 is a left side elevation view thereof;

(58) **Field of Classification Search** D7/316–319, D7/600, 598, 510, 511; 222/129.1, 465.1
See application file for complete search history.

FIG. 3 is a right side elevation view thereof;

FIG. 4 is a front elevation view thereof;

FIG. 5 is a rear elevation view thereof;

FIG. 6 is a top plan view thereof; and,

FIG. 7 is a bottom plan view thereof.

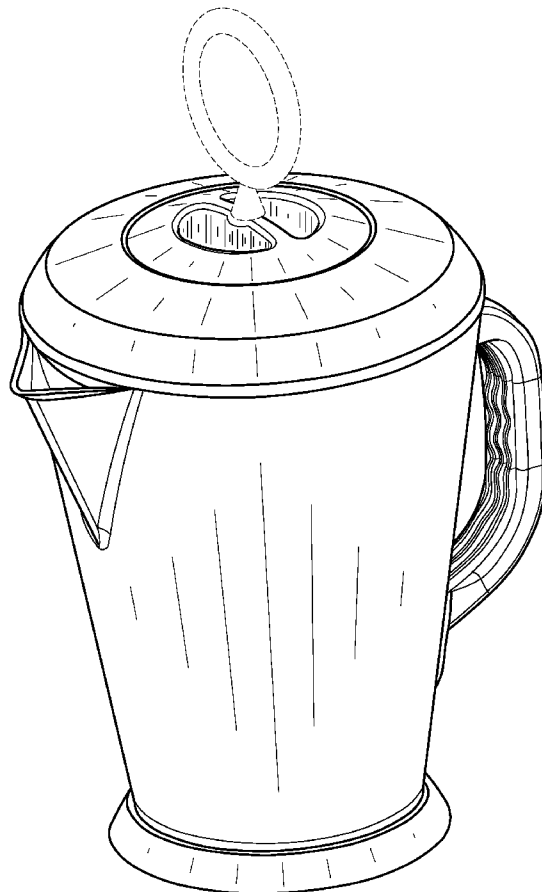
(56) **References Cited**

U.S. PATENT DOCUMENTS

D432,205 S *	10/2000	Tien Lin	D23/209
D439,789 S *	4/2001	Kaposi et al.	D7/316
D447,379 S *	9/2001	DiNunzio et al.	D7/376
D573,396 S *	7/2008	Gauss	D7/319
D587,512 S *	3/2009	Dorney et al.	D7/318

The broken lines are for illustrative purposes only and form no part of the claimed design.

1 Claim, 4 Drawing Sheets



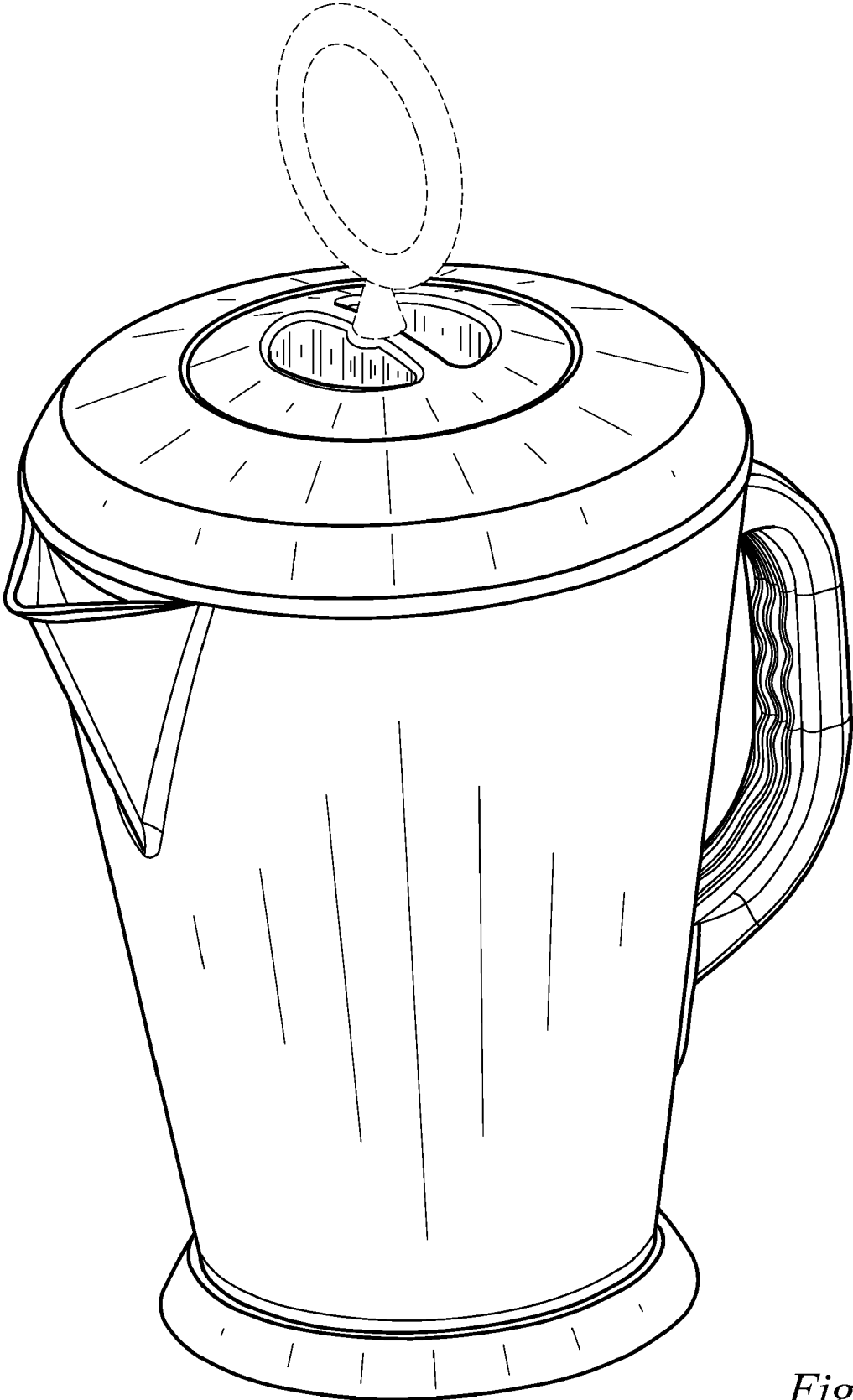


Fig. 1

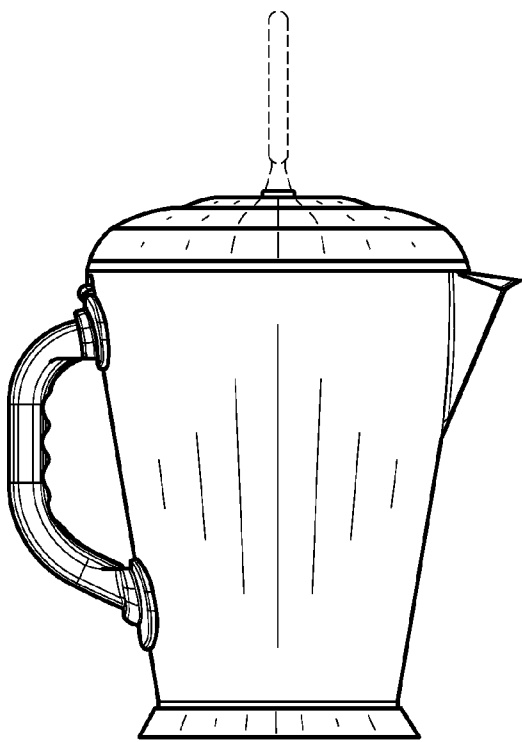


Fig. 2

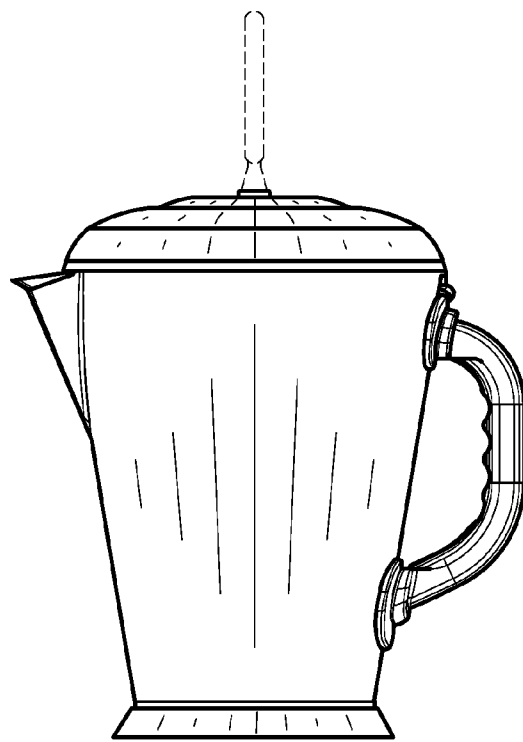


Fig. 3

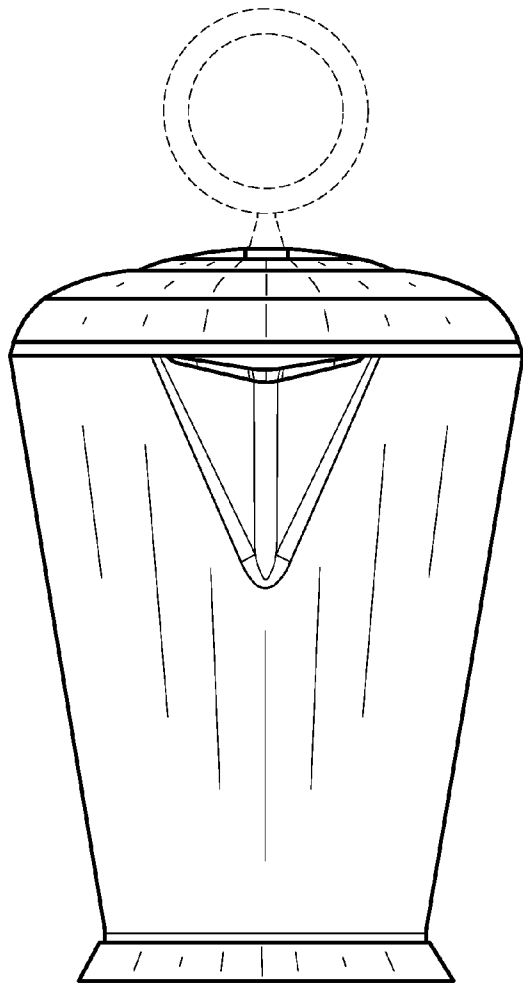


Fig. 4

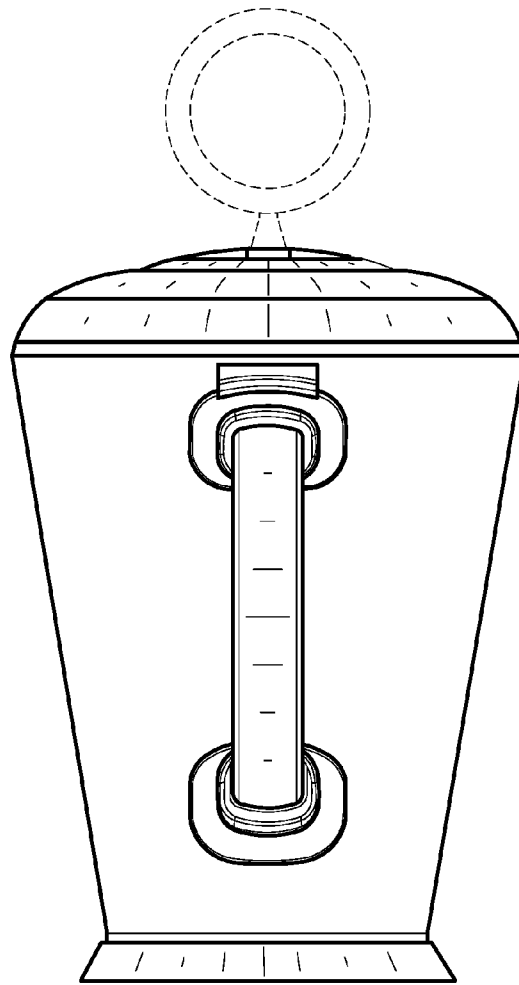


Fig. 5

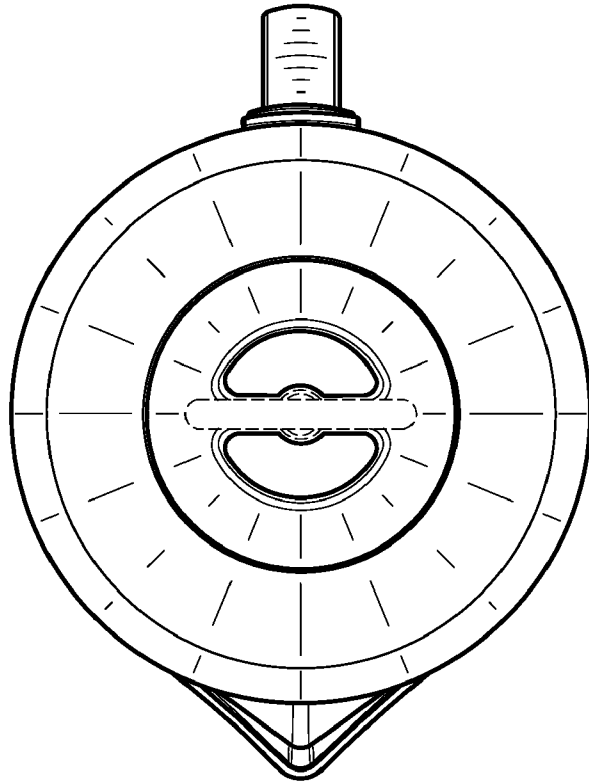


Fig. 6

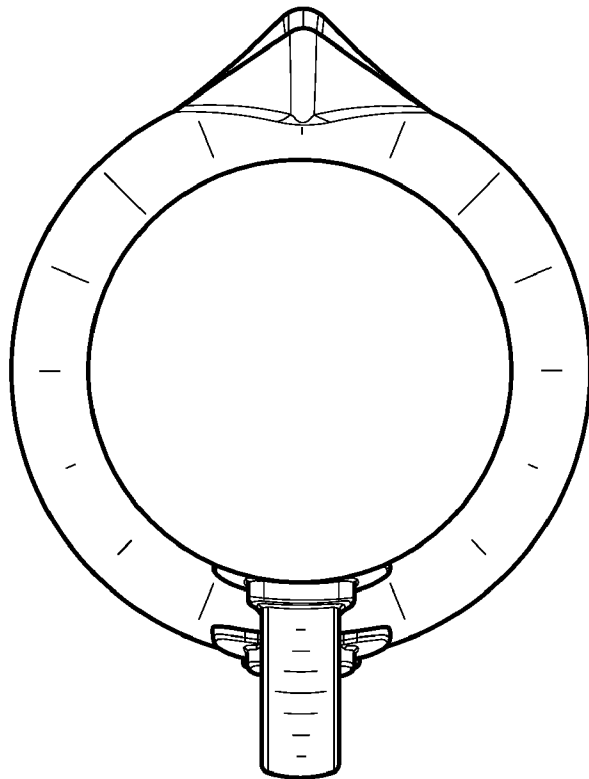


Fig. 7