



US00D837898S

(12) **United States Design Patent**
Flores

(10) **Patent No.:** **US D837,898 S**

(45) **Date of Patent:** **** Jan. 8, 2019**

(54) **TOY TRUCK**

2,211,102 A 8/1940 Davis
2,211,330 A 8/1940 Hochberg
2,270,553 A 1/1942 Potito
2,310,515 A 2/1943 Chester

(Continued)

(71) Applicant: **KIDS II, INC.**, Atlanta, GA (US)

(72) Inventor: **Milton Aaron Flores**, Cambridge, MA (US)

FOREIGN PATENT DOCUMENTS

(73) Assignee: **KIDS II, INC.**, Atlanta, GA (US)

EM 000523626-0001 6/2006
EP 1870351 A1 12/2007
WO 2011057203 A2 5/2011

(**) Term: **15 Years**

(21) Appl. No.: **29/603,203**

OTHER PUBLICATIONS

(22) Filed: **May 8, 2017**

Go Grippers Steam Roller [online] found on Feb. 1, 2018 from URL https://www.kidsii.com/brands/oball/10736-go-grippers-steam-roller.*

(51) **LOC (11) Cl.** **21-01**

(52) **U.S. Cl.**

USPC **D21/431**; D21/537; D21/552

(Continued)

(58) **Field of Classification Search**

USPC D12/14, 86, 88, 90–92, 164, 173,
D12/184–186, 190, 196; D21/419, 421,
D21/423, 424–426, 431, 433–435, 472,
D21/537, 539, 541, 548, 549, 550,
D21/552–555, 559, 561; 446/456, 465;
D6/534, 543; D15/20; 404/126
CPC A63H 17/26; A63H 17/262; A63H 17/264;
A63H 17/266; A63H 17/36; A63H 17/38;
A63H 29/00; A63H 29/22; A63H 29/24;
A63H 30/04

See application file for complete search history.

Primary Examiner — Robin V Webster
Assistant Examiner — Keith J Wilson
(74) *Attorney, Agent, or Firm* — Gardner Groff
Greenwald & Villanueva, PC

(57) **CLAIM**

The ornamental design for a toy truck, substantially as shown and described.

DESCRIPTION

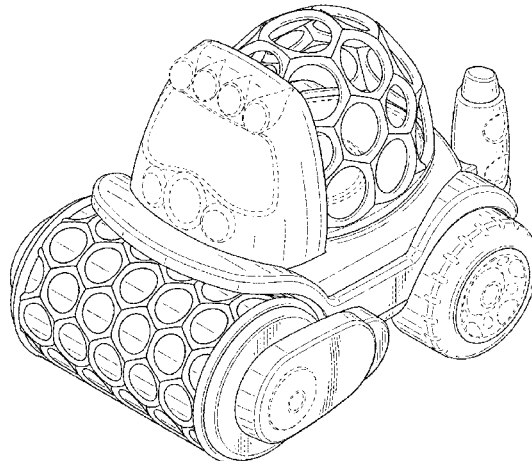
FIG. 1 is a top perspective view of a toy truck, showing my new design;
FIG. 2 is a bottom perspective view of the toy truck of FIG. 1;
FIG. 3 is a front view of the toy truck of FIG. 1;
FIG. 4 is a rear view of the toy truck of FIG. 1;
FIG. 5 is a right side view of the toy truck of FIG. 1;
FIG. 6 is a left side view of the toy truck of FIG. 1;
FIG. 7 is a bottom view of the toy truck of FIG. 1; and,
FIG. 8 is a top view of the toy truck of FIG. 1.
The broken lines shown in the drawings depict portions of the toy truck that form no part of the claimed design.

(56) **References Cited**

U.S. PATENT DOCUMENTS

180,196 A 7/1876 Butler
183,209 A 10/1876 Rich
449,146 A 3/1891 Watrous
693,064 A 2/1902 Proben et al.
1,077,340 A 11/1913 Graham
1,188,904 A 6/1916 Cosgriff
1,319,297 A 10/1919 Limacher
1,429,198 A 9/1922 Fawcett
1,457,360 A 6/1923 Gilbert
1,626,425 A 4/1927 Pelsue
2,006,230 A 6/1935 Dobbins

1 Claim, 4 Drawing Sheets



(56)

References Cited

U.S. PATENT DOCUMENTS

D138,150 S 6/1944 Davidson
 2,400,981 A 5/1946 Dishmaker
 2,499,483 A 3/1950 Foy
 2,519,248 A 8/1950 Hulbert
 2,687,302 A 8/1950 Stiegler
 2,717,473 A 9/1955 Moore
 2,742,771 A 4/1956 Negaard
 2,770,915 A 11/1956 Hicks
 2,937,475 A 5/1960 Crawford
 3,018,583 A 1/1962 Novotney
 D192,639 S * 4/1962 Mustchuk D21/431
 3,046,016 A 7/1962 Laws
 3,154,882 A 11/1964 Bossiere
 3,274,596 A 9/1966 Raabe
 3,276,148 A 10/1966 Snelson
 3,483,907 A 12/1969 Corridon
 3,531,009 A 9/1970 Saperstein
 3,571,970 A 3/1971 Dunn et al.
 3,603,023 A 9/1971 McHugh
 3,633,587 A 1/1972 Hunt
 3,691,704 A 9/1972 Novak
 3,758,116 A 9/1973 Pieronek
 3,768,202 A 10/1973 Wheelock
 3,777,392 A 12/1973 Span et al.
 3,841,039 A 10/1974 Farnsworth, III
 3,866,348 A 2/1975 Roby et al.
 3,889,950 A 6/1975 Kasravi
 3,913,879 A 10/1975 Wright, Jr.
 3,959,937 A 6/1976 Spunt
 4,088,319 A 5/1978 Clarke
 D249,978 S * 10/1978 Samson D21/537
 4,128,909 A 12/1978 Kawabe et al.
 D252,223 S * 6/1979 Asano D21/537
 4,213,266 A 7/1980 Hyland et al.
 4,274,224 A 6/1981 Pugh et al.
 4,282,679 A 8/1981 Grubb et al.
 4,309,852 A 1/1982 Stolpin
 4,381,620 A 5/1983 Panzarella
 4,403,441 A 9/1983 White et al.
 4,476,649 A 10/1984 Zaruba
 4,514,995 A 5/1985 Curtis et al.
 4,579,538 A 4/1986 Bass et al.
 D284,493 S 7/1986 King
 4,610,637 A 9/1986 Ferguson
 D287,988 S 1/1987 Billinghamurst
 4,637,941 A 1/1987 Rochte
 4,645,471 A 2/1987 Herring et al.
 4,778,429 A 10/1988 Todokoro
 4,813,674 A 3/1989 Lorphipat
 4,836,787 A 6/1989 Boo
 4,869,701 A 9/1989 Kawai et al.
 4,883,441 A 11/1989 Byer
 4,929,216 A 5/1990 Morris et al.
 4,941,579 A 7/1990 Lee
 D317,637 S * 6/1991 Mayuzumi D21/472
 5,104,125 A 4/1992 Wilson
 5,174,580 A 12/1992 Pratt
 5,195,917 A 3/1993 Russell et al.
 D336,317 S 6/1993 Thomson et al.
 5,219,162 A 6/1993 Orbanes et al.
 5,224,959 A 7/1993 Kasper
 5,236,196 A 8/1993 Blankenburg et al.
 D340,991 S 11/1993 Clements
 5,309,586 A 5/1994 Sies et al.
 D352,753 S 11/1994 Giannini et al.
 5,364,348 A 11/1994 Berry, Sr.
 5,411,262 A 5/1995 Smith
 D359,327 S 6/1995 Gould
 5,449,174 A 9/1995 Criner
 5,451,436 A 9/1995 Shelleman
 D366,288 S 1/1996 Kino
 5,611,721 A 3/1997 Hoeting et al.
 D379,206 S 5/1997 Meffert
 5,759,083 A 6/1998 Polumbaum et al.
 5,766,701 A 6/1998 Lee

5,772,204 A 6/1998 Phelps
 D396,431 S * 7/1998 Lindgren D12/14
 5,788,554 A 8/1998 Goodwin et al.
 5,853,313 A 12/1998 Zheng
 D437,010 S 1/2001 Meys
 6,203,393 B1 3/2001 Flynn
 6,279,984 B1 8/2001 Reina, Jr.
 D453,571 S 2/2002 Hall
 6,418,673 B1 7/2002 Flowerday
 6,488,556 B2 12/2002 Galomb
 6,517,406 B1 2/2003 Cash
 6,524,272 B1 2/2003 Berry, Sr.
 D477,441 S 7/2003 Willinger et al.
 6,609,944 B1 8/2003 Viola
 D479,897 S 9/2003 Willinger
 D489,494 S 5/2004 Silverglate
 6,729,984 B2 5/2004 Silverglate
 6,769,588 B2 8/2004 Zheng
 D514,263 S 1/2006 Willinger
 7,152,750 B2 12/2006 Coffey
 7,169,120 B2 1/2007 Murdock et al.
 D539,367 S 3/2007 Jones
 D563,609 S 3/2008 Gick
 7,520,793 B2 4/2009 Pillai et al.
 D596,248 S 7/2009 Silverglate
 7,600,488 B2 10/2009 Mann
 7,662,012 B2 2/2010 Wright
 D621,259 S 8/2010 Joy et al.
 7,806,746 B2 10/2010 Walterscheid
 7,867,101 B2 1/2011 Chiang
 7,867,115 B2 1/2011 Zawitz
 7,901,375 B2 3/2011 Dunn et al.
 D635,685 S 4/2011 Hendricks et al.
 D636,949 S 4/2011 Axelrod et al.
 7,931,520 B2 4/2011 Bryce
 D646,792 S 10/2011 Pope
 8,052,552 B2 11/2011 Silverglate
 D668,269 S * 10/2012 Tezuka D15/20
 8,282,518 B2 10/2012 Silverglate et al.
 8,371,899 B1 2/2013 Walterscheid
 8,506,345 B2 8/2013 Tigan et al.
 D694,278 S * 11/2013 Ewringmann D15/20
 D694,279 S * 11/2013 Ewringmann D15/20
 8,579,133 B2 11/2013 Marcus et al.
 8,764,511 B2 7/2014 Verbera et al.
 8,851,956 B2 10/2014 Niu
 D721,769 S * 1/2015 Johnson D21/552
 8,932,101 B2 1/2015 Silverglate et al.
 8,998,670 B1 4/2015 De Leon
 9,101,535 B2 8/2015 Silverglate et al.
 9,161,888 B2 10/2015 Lamar
 9,271,552 B2 3/2016 Van Ostenbridge
 9,289,695 B2 3/2016 Sadri et al.
 D765,735 S * 9/2016 Roemer D15/20
 D767,688 S 9/2016 Nelson
 D771,202 S * 11/2016 Gan D21/552
 D796,557 S * 9/2017 Loew D15/20
 D800,793 S * 10/2017 Loew D15/20
 2004/0221885 A1 11/2004 Zheng
 2005/0142980 A1 6/2005 Rivero
 2007/0077857 A1 4/2007 Wright
 2008/0032826 A1 2/2008 Mubarak et al.
 2009/0170643 A1 7/2009 Silverglate
 2009/0170645 A1 7/2009 Silvergate
 2011/0256797 A1 10/2011 Chernick et al.
 2012/0171924 A1 7/2012 Karnick et al.
 2014/0044483 A1* 2/2014 Kreutz E01C 19/26
 404/126
 2015/0297955 A1 10/2015 Silverglate et al.
 2015/0328515 A1 11/2015 Prendergast
 2016/0051862 A1 2/2016 Silverglate et al.
 2016/0310856 A1 10/2016 Mitchell et al.
 2017/0007937 A1 1/2017 Elson et al.

OTHER PUBLICATIONS

Odball Go Grippers Pink Vehicles [online found on Feb. 1, 2018 from URL https://www.fatbraintoy.com/toy_companies/toysmith/oball_go_grippers_pink_vehicles.cfm.*

(56)

References Cited

OTHER PUBLICATIONS

Go Grippers Truck Assortment [online] found on Feb. 1, 2018 from URL <https://www.kidsii.com/brands/oball/11519-go-grippers-truck-assortment>.*

Binxy (Paci-Sphere) Product Description Document; Sep. 13, 2009; 2 pgs.

Grab Ball Toy Product Description Document; 2 pgs; Jul. 28, 2001.

Hol-ee Roller Toy Product Description Document; 2 pgs; Jul. 28, 2001.

ISA Korean Intellectual Property Office, International Search Report of PCT/US2010/055855; Jul. 27, 2011; 9 pgs.

International Search Report for PCT/US2011/023339; 3 pgs; Oct. 27, 2011.

Mother's Cubbard Booth Listing; Sep. 13, 2009; 2 pgs.

Mother's Cubbard Name Tag; Sep. 13, 2009; 2 pgs.

Popko, Edward; Geodesics; Fig. No. 62 of "Bicycle Wheel" Dome;

University of Detroit Press; 1 pg.; 1968.

Sportime(R) Fall 2003 Catalog; p. 21; 2003.

* cited by examiner

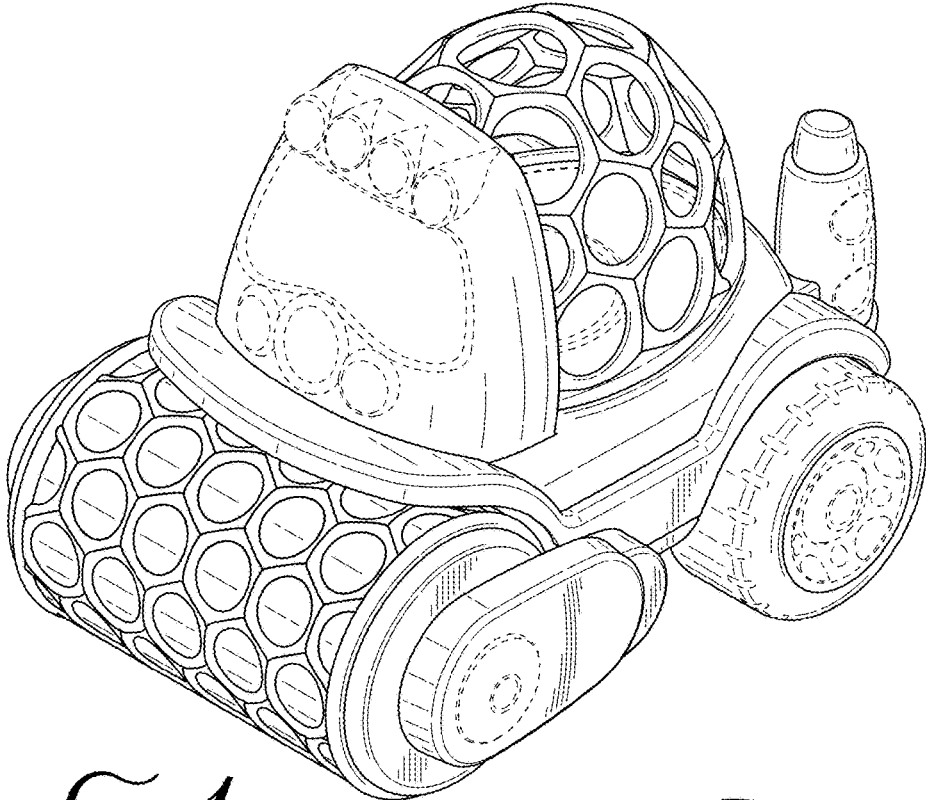


Fig. 1

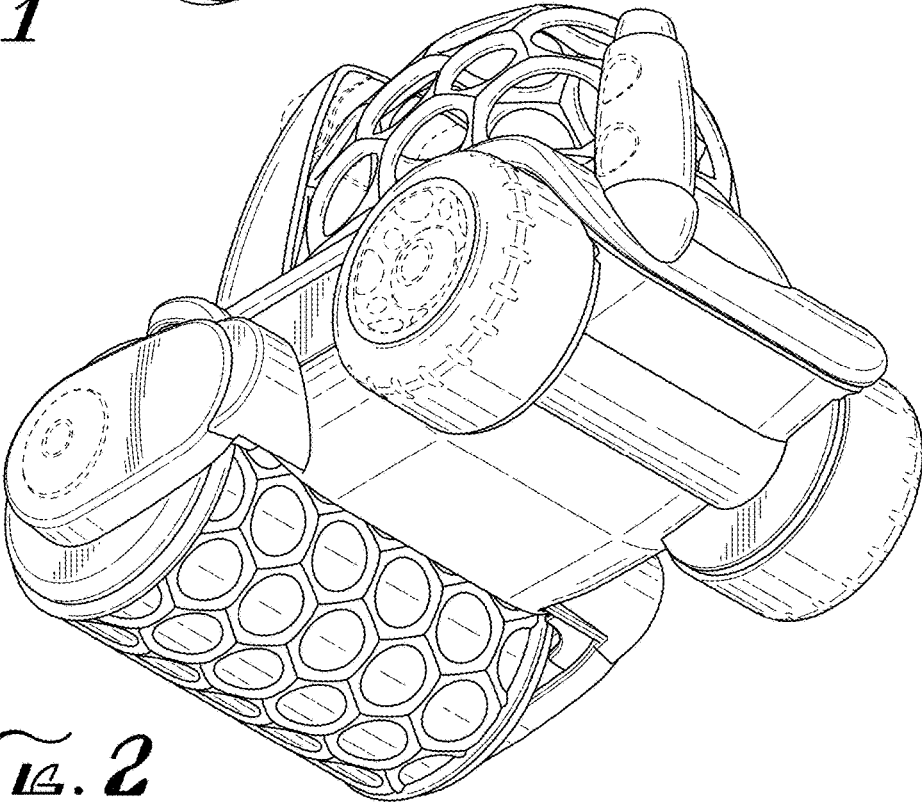


Fig. 2

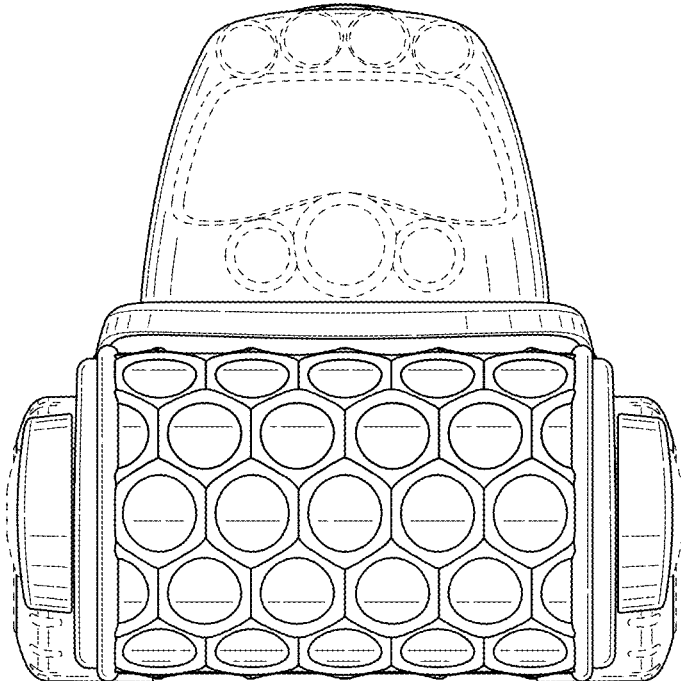


FIG. 3

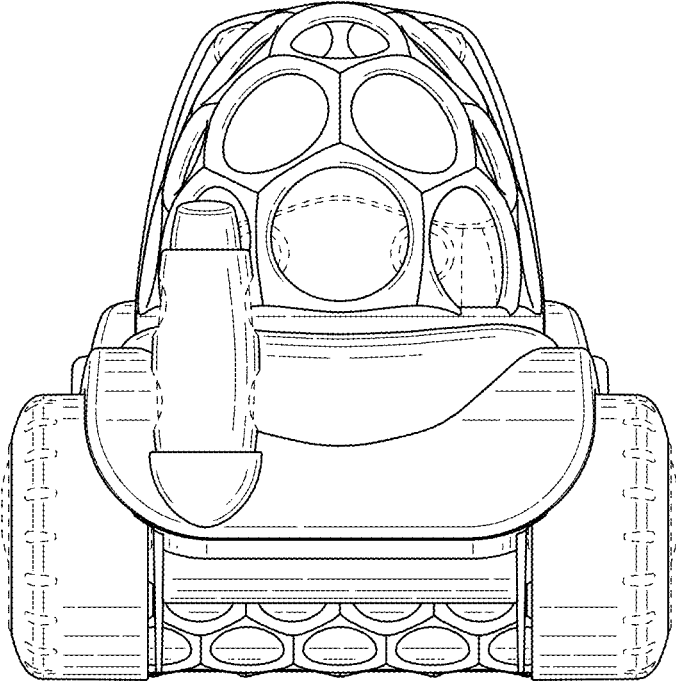


FIG. 4

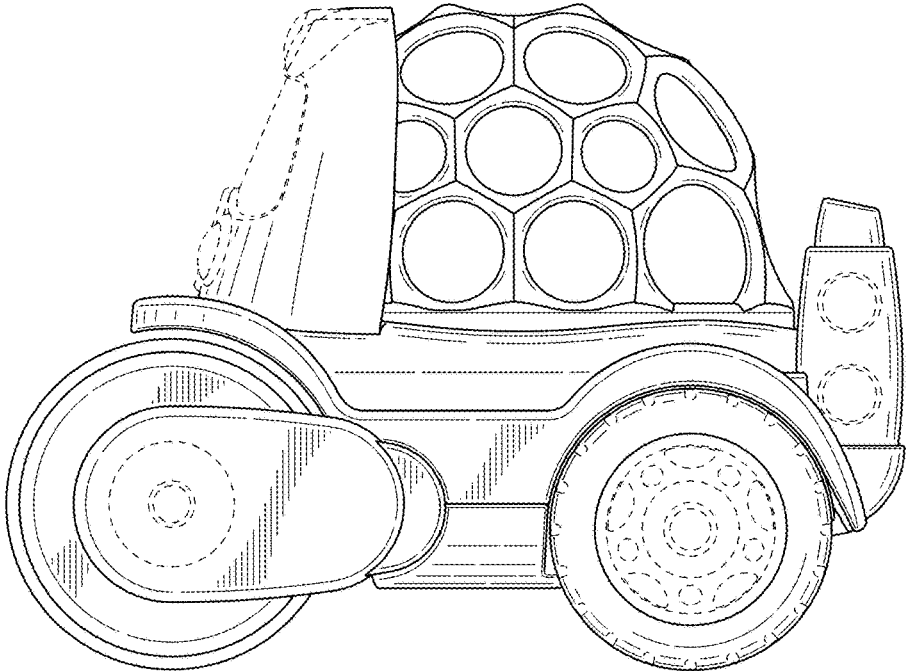


FIG. 5

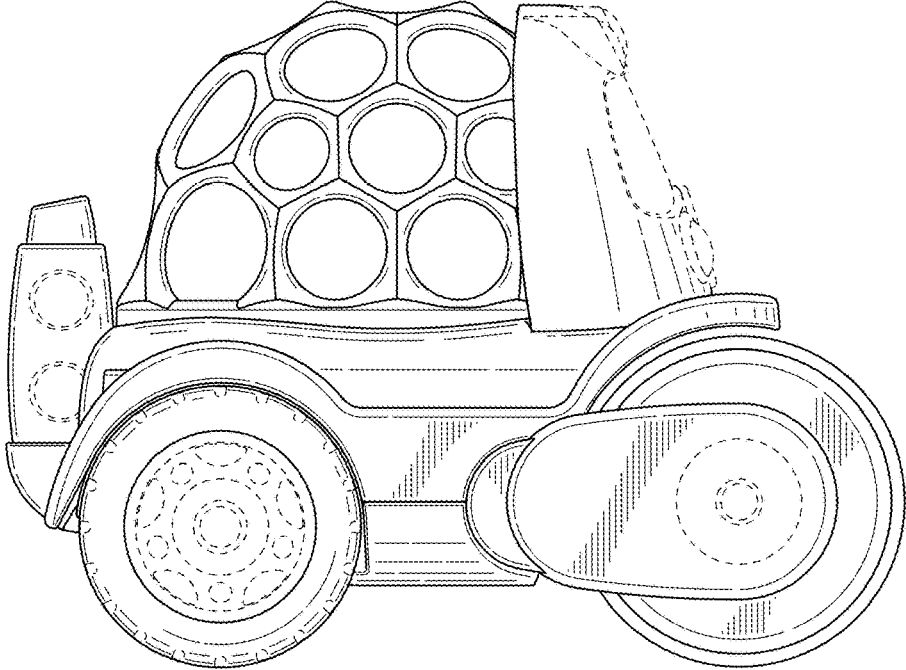


FIG. 6

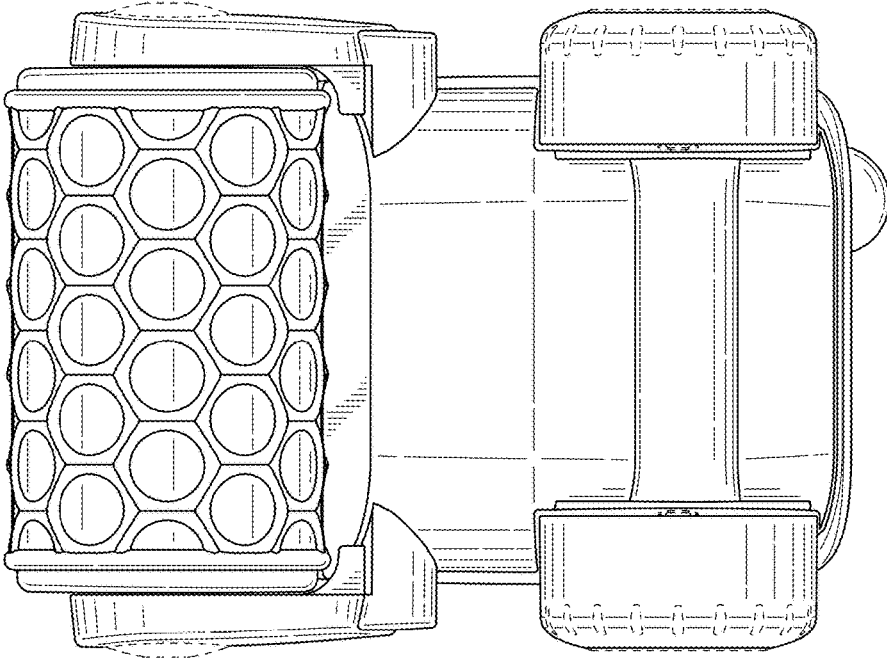


FIG. 8

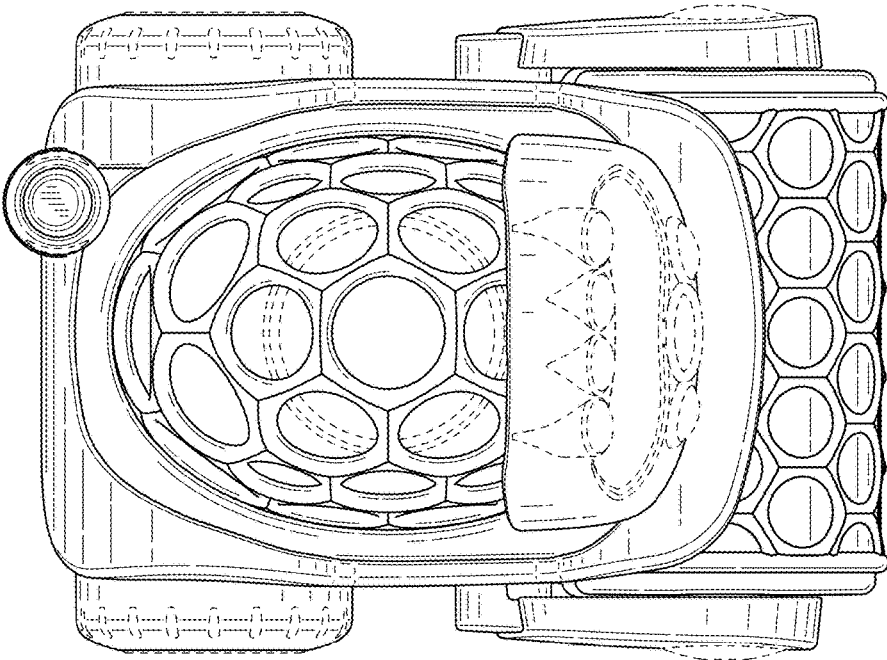


FIG. 7