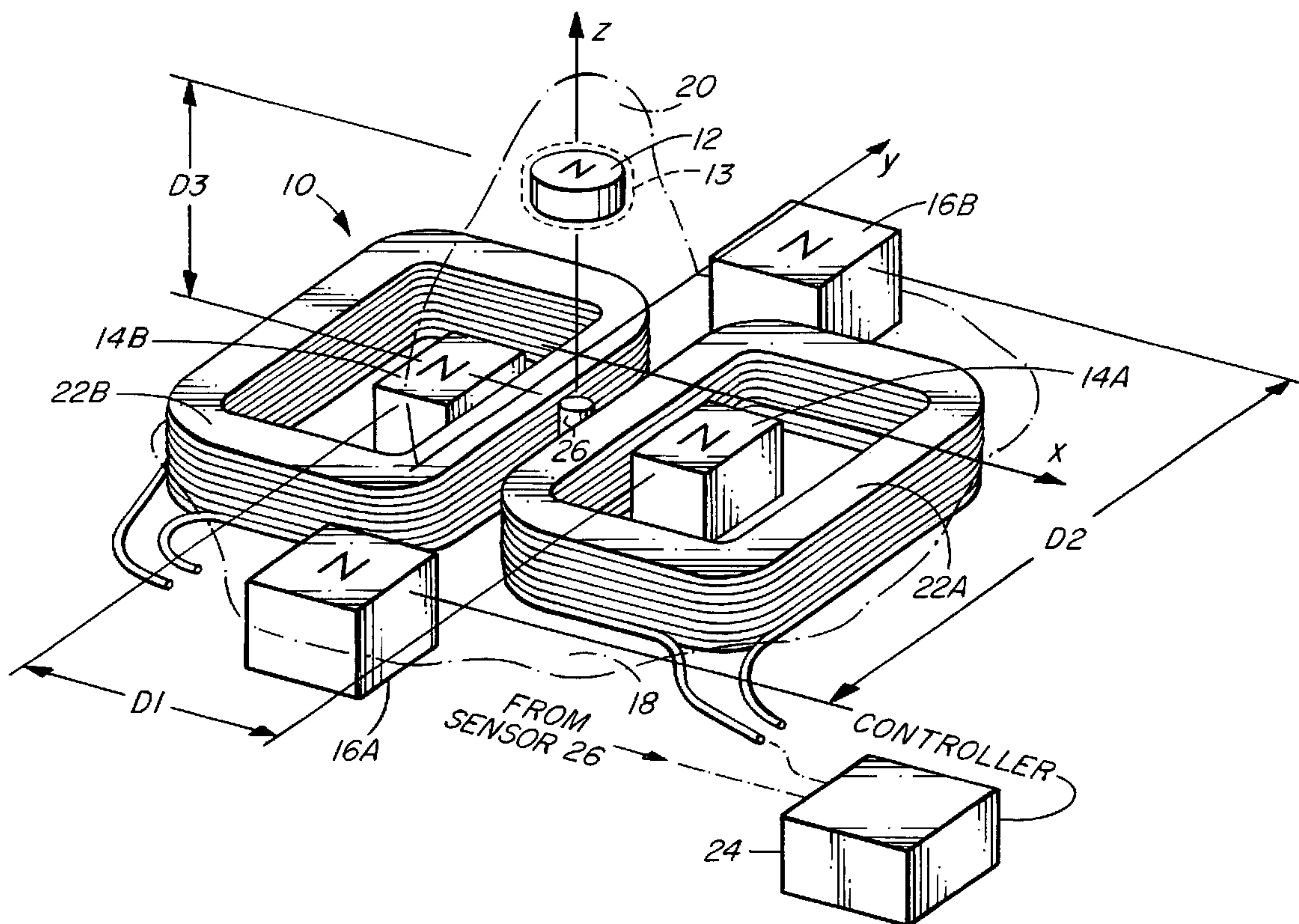




(86) Date de dépôt PCT/PCT Filing Date: 2003/09/29
 (87) Date publication PCT/PCT Publication Date: 2004/04/08
 (85) Entrée phase nationale/National Entry: 2005/03/24
 (86) N° demande PCT/PCT Application No.: CA 2003/001501
 (87) N° publication PCT/PCT Publication No.: 2004/030198
 (30) Priorité/Priority: 2002/09/27 (60/413,881) US

(51) Cl.Int.⁷/Int.Cl.⁷ H02N 15/00
 (71) Demandeur/Applicant:
IDENTIFIED FLYING OBJECTS LIMITED, CN
 (72) Inventeurs/Inventors:
DAVIS, HAROLD, CA;
WHITEHEAD, LORNE, CA
 (74) Agent: OYEN WIGGS GREEN & MUTALA LLP

(54) Titre : APPAREIL DE LEVITATION MAGNETIQUE
 (54) Title: MAGNETIC LEVITATION APPARATUS



(57) Abrégé/Abstract:

A magnetic levitation apparatus supports a magnetic element in a magnetic field. A control system controls a variable magnetic field to maintain the magnetic element at an equilibrium location relative to an unstable axis. In some embodiments the variable magnetic field has a gradient in the direction of the unstable axis but no field component. In some embodiments the magnetic field is provided by an array of four discrete magnets. In some embodiments additional magnets provide increased field intensity at the equilibrium location this increases stability of the levitated magnetic element against overturning. Light and electrical power may be supplied to the levitating magnetic element.

(12) INTERNATIONAL APPLICATION PUBLISHED UNDER THE PATENT COOPERATION TREATY (PCT)

(19) World Intellectual Property
Organization
International Bureau



(43) International Publication Date
8 April 2004 (08.04.2004)

PCT

(10) International Publication Number
WO 2004/030198 A3

(51) International Patent Classification⁷: **H02N 15/00**

(21) International Application Number:

PCT/CA2003/001501

(22) International Filing Date:

29 September 2003 (29.09.2003)

(25) Filing Language:

English

(26) Publication Language:

English

(30) Priority Data:

60/413,881 27 September 2002 (27.09.2002) US

(71) Applicant (for all designated States except US): **THE UNIVERSITY OF BRITISH COLUMBIA** [CA/CA]; Industry Liaison Office, 103 - 6190 Agronomy Road, Vancouver, British Columbia V6T 1Z3 (CA).

(72) Inventors; and

(75) Inventors/Applicants (for US only): **DAVIS, Harold** [CA/CA]; 4065 West 13th Avenue, Vancouver, British Columbia V6R 2T3 (CA). **WHITEHEAD, Lorne** [CA/CA]; 3015 West 12th Avenue, Vancouver, British Columbia V6K 2R4 (CA).

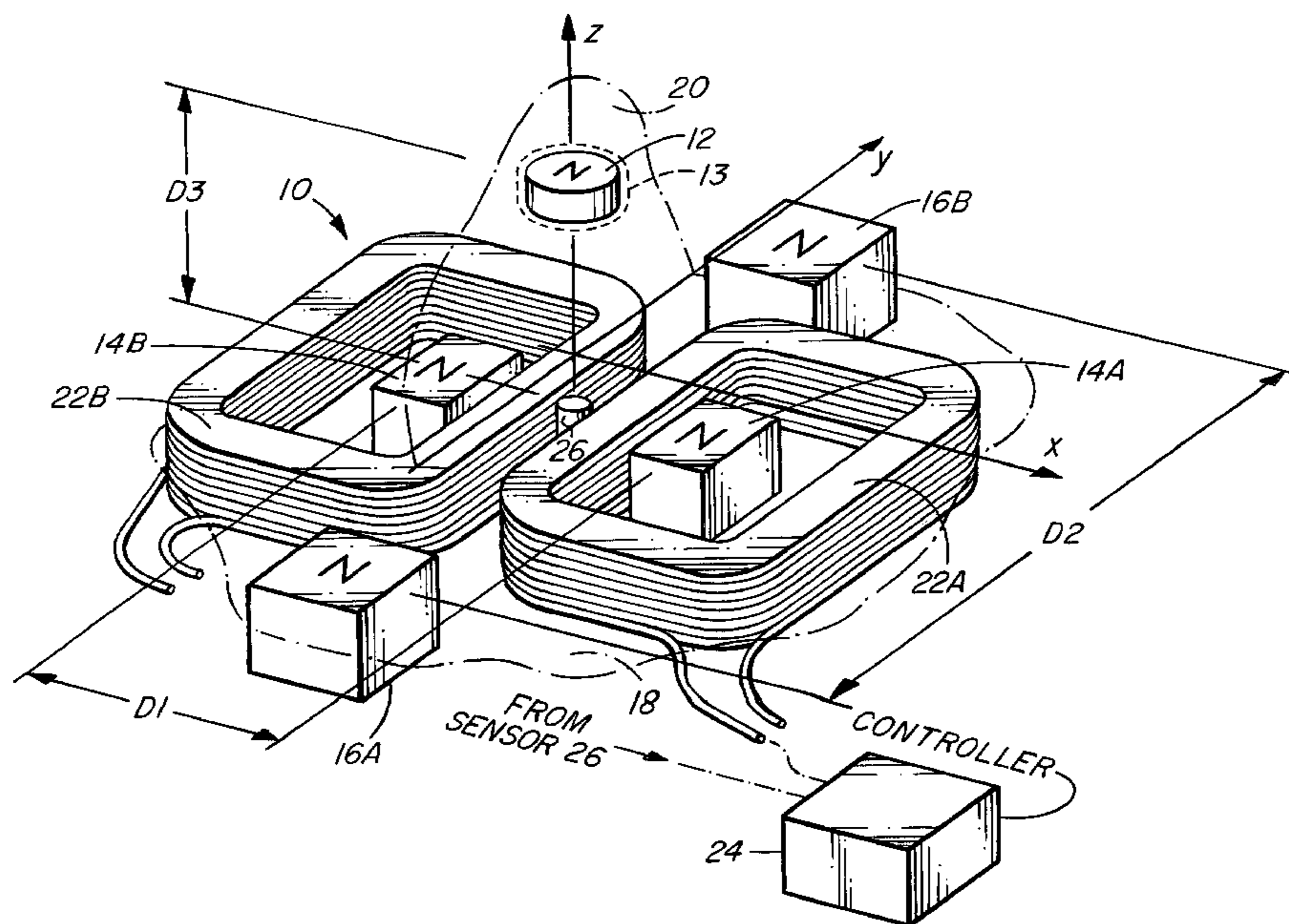
(74) Agents: **MANNING, Gavin, N.** et al.; Oyen Wiggs Green & Mutala, 480 - The Station, 601 West Cordova Street, Vancouver, British Columbia V6B 1G1 (CA).

(81) Designated States (*national*): AE, AG, AL, AM, AT (utility model), AT, AU, AZ, BA, BB, BG, BR, BY, BZ, CA, CH, CN, CO, CR, CU, CZ (utility model), CZ, DE (utility model), DE, DK (utility model), DK, DM, DZ, EC, EE (utility model), EE, EG, ES, FI (utility model), FI, GB, GD, GE, GH, GM, HR, HU, ID, IL, IN, IS, JP, KE, KG, KP, KR, KZ, LC, LK, LR, LS, LT, LU, LV, MA, MD, MG, MK, MN, MW, MX, MZ, NI, NO, NZ, OM, PG, PH, PL, PT, RO, RU, SC, SD, SE, SG, SK (utility model), SK, SL, SY, TJ, TM, TN, TR, TT, TZ, UA, UG, US, UZ, VC, VN, YU, ZA, ZM, ZW.

(84) Designated States (*regional*): ARIPO patent (GH, GM, KE, LS, MW, MZ, SD, SL, SZ, TZ, UG, ZM, ZW), Eurasian patent (AM, AZ, BY, KG, KZ, MD, RU, TJ, TM), European patent (AT, BE, BG, CH, CY, CZ, DE, DK, EE, ES, FI, FR, GB, GR, HU, IE, IT, LU, MC, NL, PT, RO, SE, SI, SK, TR), OAPI patent (BF, BJ, CF, CG, CI, CM, GA, GN, GQ, GW, ML, MR, NE, SN, TD, TG).

[Continued on next page]

(54) Title: MAGNETIC LEVITATION APPARATUS



(57) Abstract: A magnetic levitation apparatus supports a magnetic element in a magnetic field. A control system controls a variable magnetic field to maintain the magnetic element at an equilibrium location relative to an unstable axis. In some embodiments the variable magnetic field has a gradient in the direction of the unstable axis but no field component. In some embodiments the magnetic field is provided by an array of four discrete magnets. In some embodiments additional magnets provide increased field intensity at the equilibrium location this increases stability of the levitated magnetic element against overturning. Light and electrical power may be supplied to the levitating magnetic element.

WO 2004/030198 A3

**Declarations under Rule 4.17:**

- as to the identity of the inventor (Rule 4.17(i)) for the following designations AE, AG, AL, AM, AT, AU, AZ, BA, BB, BG, BR, BY, BZ, CA, CH, CN, CO, CR, CU, CZ, DE, DK, DM, DZ, EC, EE, EG, ES, FI, GB, GD, GE, GH, GM, HR, HU, ID, IL, IN, IS, JP, KE, KG, KP, KR, KZ, LC, LK, LR, LS, LT, LU, LV, MA, MD, MG, MK, MN, MW, MX, MZ, NI, NO, NZ, OM, PG, PH, PL, PT, RO, RU, SC, SD, SE, SG, SK, SL, SY, TJ, TM, TN, TR, TT, TZ, UA, UG, UZ, VC, VN, YU, ZA, ZM, ZW, ARIPO patent (GH, GM, KE, LS, MW, MZ, SD, SL, SZ, TZ, UG, ZM, ZW), Eurasian patent (AM, AZ, BY, KG, KZ, MD, RU, TJ, TM), European patent (AT, BE, BG, CH, CY, CZ, DE, DK, EE, ES, FI, FR, GB, GR, HU, IE, IT, LU, MC, NL, PT, RO, SE, SI, SK, TR), OAPI patent (BF, BJ, CF, CG, CI, CM, GA, GN, GQ, GW, ML, MR, NE, SN, TD, TG)

- as to the applicant's entitlement to claim the priority of the earlier application (Rule 4.17(iii)) for all designations
- of inventorship (Rule 4.17(iv)) for US only

Published:

- with international search report
- before the expiration of the time limit for amending the claims and to be republished in the event of receipt of amendments

(88) Date of publication of the international search report:

3 June 2004

For two-letter codes and other abbreviations, refer to the "Guidance Notes on Codes and Abbreviations" appearing at the beginning of each regular issue of the PCT Gazette.

MAGNETIC LEVITATION APPARATUS

Cross Reference to Related Application

[0001] This application claims priority from US patent application
5 No. 60/413,881 filed 27 September, 2002.

Technical Field

[0002] The invention relates to apparatus for levitating magnetic
10 elements.

Background

[0003] A levitated object is interesting to observe and can be useful
in various applications. Magnetic fields provide one tool which can be
used for levitating magnetic objects. According to Earnshaw's theorem,
15 it is not possible to support a magnetic object in a stable manner using
only static magnetic fields. One statement of Earnshaw's theorem is that a
levitated magnet cannot be held in stable equilibrium by any combination
of static magnetic or gravitational forces.

20 [0004] Whitehead, US Patent No. 5,168,183 discloses a magnetic
levitation system in which an arrangement of magnets on one side of a
separation plane can support a levitated magnetic element on an opposite
side of the separation plane. The magnetic arrangement provides a static
magnetic field such that, for displacements of the levitated element in
25 directions parallel to a stability plane, the potential energy of the
magnetic interaction between the levitated element and the static
magnetic field increases. The magnetic arrangement includes a control
system which controls a variable force, which may be a variable

- 2 -

magnetic field, to stabilize the levitated element in a direction perpendicular to the stability plane.

[0005] The inventors have determined that the magnetic fields
5 generated by the embodiments disclosed by Whitehead tend to apply torque to levitated magnetic elements. This is because the magnetic dipole of the levitated magnetic element aligns generally with the static magnetic field while the variable magnetic field used to control the position of the levitated magnetic element in the "unstable" direction is
10 directed generally perpendicularly to the static magnetic field at the equilibrium location of the levitated magnetic element. The rotation caused by this torque can lead to combined torsional and translational oscillation of the levitated element. In some cases this adversely affects stable feedback control and thus the stability of the levitated magnetic
15 element.

[0006] There is a need for magnetic levitation systems of the general type disclosed by Whitehead which have desirable operating characteristics, such as increased stability of the levitated magnetic
20 element, and/or are simple in construction. For certain applications, there is a particular need for such levitation systems which incorporate a reduced amount of magnetic material and can be made at relatively low cost.

25 Summary of the Invention

[0007] One aspect of the invention provides apparatus for levitating a magnetic element. The apparatus comprises at least two magnets

- 3 -

arranged to generate a static magnetic field providing a position-
dependent potential energy of interaction with a magnetic element. In
certain embodiments the at least two magnets include four magnets
arranged in a diamond pattern. The static magnetic field provides an
5 equilibrium location wherein the potential energy decreases for
displacements of the magnetic element away from the equilibrium
location along an unstable axis and increases for displacements of the
magnetic element away from the equilibrium location in any direction
perpendicular to the unstable axis. The apparatus includes a position
10 sensor generating a feedback signal indicative of the location of the
magnetic element on the unstable axis, an electromagnet configured to
generate a control magnetic field upon the passage of an electrical
current through the electromagnet, the control magnetic field having a
gradient with respect to displacements along the unstable axis at the
15 equilibrium location, and, a controller connected to receive the feedback
signal and to control the electrical current in the electromagnet to prevent
the magnetic element from leaving a vicinity of the equilibrium location.

[0008] In some embodiments the electromagnet comprises at least
20 two coils spaced along an axis parallel to the unstable axis. For example,
the electromagnet may comprise four coils spaced along an axis parallel
to the unstable axis wherein upon the passage of the electrical current
through the four coils each of the four coils has a magnetic polarity
opposite to the magnetic polarity of adjacent ones of the four coils.

25

[0009] A specific embodiment provides an apparatus wherein the at
least two magnets comprise first and second magnets spaced apart from

- 4 -

one another by a first distance, $D1$, in a direction parallel to the unstable axis and third and fourth magnets spaced apart from one another by a second distance, $D2$, in a direction transverse to the unstable axis, wherein $D1 < D2$, each of the first and second magnets is equidistant from an axis of symmetry of the at least two magnets and each of the third and fourth magnets is equidistant from the axis of symmetry. Each of the first, second, third and fourth magnets may have a first magnetic pole facing toward the equilibrium location and a second magnetic pole facing away from the equilibrium location. The first magnetic poles of the first, second, third and fourth magnets may be substantially coplanar.

[0010] Another aspect of the invention provides apparatus for levitating a magnetic element. The apparatus comprises means for generating a static magnetic field providing a position-dependent potential energy of interaction with a magnetic element, the static magnetic field providing an equilibrium location wherein the potential energy decreases for displacements of the magnetic element away from the equilibrium location along an unstable axis and increases for displacements of the magnetic element away from the equilibrium location in any direction perpendicular to the unstable axis. The apparatus also comprises means for generating a feedback signal indicative of the location of the magnetic element on the unstable axis and control means for directing the magnetic element to the equilibrium location by providing a quadrupole control magnetic field at the equilibrium location in response to the feedback signal.

- 5 -

[0011] Further aspects of the invention and features of specific embodiments of the invention are described below.

Brief Description of the Drawings

5

[0012] In drawings which illustrate non-limiting embodiments of the invention,

Figure 1 is a partially schematic view of a magnetic levitation system according to one embodiment of the invention;

10 Figures 1A and 1B are partially schematic views of magnetic levitation systems according to alternative embodiments of the invention.

Figures 2A through 2C are plots which show variation of magnetic potential energy with displacement from the equilibrium location of a levitated magnetic element along x , y and z axes of the system of

15 Figure 1 respectively;

Figure 3 is a top plan view of a magnetic levitation system having control coils arranged to generate a quadrupole field at a equilibrium location;

20 Figure 4 is a top plan view of a magnetic levitation system having magnets to improve stability of a levitated magnetic element against rotation;

Figure 5 is a side view of a magnetic levitation system having a movable platform for supporting a magnetic element near an equilibrium location;

25 Figure 6 shows mechanisms for illuminating and animating a levitated object;

- 6 -

Figure 7 is a section taken in the x - z plane through control coils of an embodiment of the invention; and,

Figures 8A and 8B show coil geometries according to alternative embodiments of the invention.

5

Description

[0013] Throughout the following description, specific details are set forth in order to provide a more thorough understanding of the invention. However, the invention may be practiced without these
10 particulars. In other instances, well known elements have not been shown or described in detail to avoid unnecessarily obscuring the invention. Accordingly, the specification and drawings are to be regarded in an illustrative, rather than a restrictive, sense.

15 [0014] Figure 1 shows a magnetic levitation system 10 according to the invention. System 10 is shown levitating a magnetic element 12 at an equilibrium location 13. Magnetic element 12 comprises a magnetic dipole or an array of magnetic dipoles. Magnetic element 12 may
20 comprise a permanent magnet attached to a lightweight body to be levitated.

[0015] System 10 comprises a first pair of magnets 14 (individually 14A and 14B) spaced apart by a distance $D1$ and a second pair of magnets 16 (individually 16A and 16B) spaced apart by a
25 distance $D2$ with $D2 > D1$. In currently preferred embodiments of the invention, the ratio $D2 : D1$ is in the range of $1\frac{1}{2} : 1$ to $2 : 2$.

- 7 -

- [0016] Magnets **16**, which are further apart than magnets **14**, preferably have dipole moments larger than or equal to those of magnets **14**. The magnetic dipole moments of magnets **16** are preferably large enough to substantially counteract the undesirable curvature of the field lines of the magnetic field that would be present in the absence of magnets **16**, but not so large as to counteract the levitating field of the less-powerful magnets **14**, which has much higher gradients due to the proximity of magnets **14** to equilibrium location **13**. Preferably magnets **14A** and **14B** have the same magnetic strength as one another and magnets **16A** and **16B** have the same magnetic strength as one another. The strength, M_{14} of magnets **14** is preferably less than or equal to the strength, M_{16} , of magnets **16**. The ratio of $M_{16} : M_{14}$ is in the range of 1 : 1 to 2 : 1 in some embodiments of the invention.
- [0017] Magnets **14** are ideally arranged so that magnets **14A** and **14B** are disposed a first axis and magnets **16A** and **16B** are disposed on a second axis orthogonal to the first axis. In the following description, magnets **14** and **16** are all shown as being adjacent a plane **18**. A cartesian coordinate system having orthogonal x and y axes in plane **18** and a z axis normal to plane **18** has its origin located symmetrically relative to magnets **14** and **16**. The x axis extends through magnets **14** and the y axis extends through magnets **16**. The z axis of the coordinate system of the illustrated system **10** provides a symmetry axis of system **10**. The z axis extends through equilibrium location **13**, which is a distance **D3** away from plane **18**.

- 8 -

[0018] While Figure 1 shows the ideal case where magnets 14 and 16 are located on orthogonal axes, some deviation from this ideal arrangement is possible without departing from the invention. In the illustrated embodiment, magnets 14 and 16 are arranged in a diamond
5 pattern. The establishment of a cartesian coordinate system is done only for convenience in describing the configuration of the illustrated apparatus. Other coordinate systems could be used.

[0019] Magnets 14 and 16 are preferably small in size compared to
10 the distances between magnets 14, 16 and equilibrium location 13 at which magnetic element 12 can be levitated by system 10. In this case, each of magnets 14 and 16 produces a magnetic field at equilibrium location 13 substantially the same as a field which would be produced by a single magnetic dipole at the location of the magnet 14 or 16.

15

[0020] In the embodiment illustrated in Figure 1, magnets 14 and 16 are all polarized in the same direction, which is parallel to the z axis. Figure 1A shows schematically an alternative embodiment of the invention wherein each of magnets 14 are inclined toward the z axis at an
20 angle, ϕ_1 , and each of magnets 16 are inclined toward the z axis at an angle, ϕ_2 . In some embodiments $\phi_1 = \phi_2$. In other embodiments ϕ_1 and ϕ_2 are different from one another. Inclining magnets 14 and/or 16 toward the z axis, as shown in Figure 1A, tends to gain some "stiffness" in the levitation of magnetic element 12 with respect to motion in one direction
25 at the expense of reduced stability in one or more other directions.

- 9 -

[0021] Magnets 14 and 16 have poles of a first polarity (for example, N) oriented in a first direction (for example, the +z direction) and poles of a second polarity (for example S) oriented in a second direction opposite to the first direction (for example, the -z direction).

5

[0022] Any suitable magnets may be used for magnets 14 and 16. Magnets 14 and 16 may, for example, comprise permanent magnets or electromagnets. Where system 10 is to be powered by batteries or another power supply that is limited in terms of total capacity or peak power, or in cases where it is desirable to minimize the electrical power consumption of system 10, magnets 14 and 16 are preferably permanent magnets. In some embodiments, magnets 14 and 16 comprise NdFeB, Barium Ferrite, Samarium Cobalt or AlNiCo magnets. Magnets 14 and 16 may each comprise an array of magnetic dipoles.

10
15

[0023] In the illustrated embodiment, the poles of magnets 14 and 16 which are closest to equilibrium location 13 are co-planar and all lie immediately adjacent to a plane 18. Magnets 14 and 16 may be mounted within a base 17 (See Figures 1B, 5 and 6). Magnets 14, 16 and base 17 may be thin in the z direction. In some embodiments base 17 has a thickness significantly less than D3. For example, base 17 may have a thickness of $\frac{1}{2} \times D3$ or less.

[0024] Magnets 14 and 16 generate a static magnetic field that supports magnetic element 12 in levitation at equilibrium location 13. The static magnetic field has gradients such that a potential energy of the

20
25

- 10 -

magnetic interaction between levitated magnetic element **12** and the static magnetic field increases for small displacements of levitated magnetic element **12** from equilibrium location **13** in directions parallel to a stability plane **20** (illustrated as the y - z plane in Figure 1).

5

[0025] Figures 2A, 2B and 2C illustrate the variation of magnetic potential energy with position of magnetic element **12** for displacements along x , y and z axes respectively. It can be seen that the magnetic potential energy increases for displacements away from equilibrium location **13** along either of the y and z axes. Magnetic element **12** is therefore stable in respect of displacements along these axes. On the other hand, the magnetic potential energy decreases for displacements away from equilibrium location **13** in either direction along the x axis. Magnetic element **12** is therefore unstable in respect of displacements from equilibrium location **13** along the x axis.

[0026] System **10** includes control coils **22** (individually **22A** and **22B**) which generate a variable magnetic field under the control of a controller **24** (Figure 1). When magnetic element **12** moves away from its levitated equilibrium position **13**, controller **24** adjusts flow(s) of electrical current in the control coils to cause control coils **22** to generate a magnetic field that results in a force being applied to magnetic element **12**. The force pushes magnetic element **12** in a selected direction along the unstable x axis. The variable magnetic field generated by the passage of electrical current in the control coils stabilizes levitated magnetic element **12** with respect to motions in the direction of the x axis. In the

20
25

- 11 -

embodiment illustrated in Figure 1, coils **22A**, and **22B** are adjacent to one another, have their centers spaced apart along the x axis, and each of coils **22** surrounds one of magnets **14**.

5 [0027] A position sensor **26** provides a signal representative of the displacement of levitated magnetic element **12** on the unstable x axis to controller **24**. In the illustrated embodiment, sensor **26** is located at the center of symmetry of system **10** directly below equilibrium location **13**. Position sensor **26** may comprise a Hall effect sensor, for example. A
10 Hall effect sensor may be oriented to detect the magnetic field intensity from levitated magnetic element **12** in a direction parallel to the x axis. When magnetic element **12** is located at equilibrium location **13** then the magnetic dipole of magnetic element **12** is aligned with the static magnetic field, which is oriented parallel to the z axis. The magnetic
15 dipole of magnetic element **12** yields no net magnetic field component in a direction parallel to the x axis at the location of sensor **26**. If magnetic element **12** moves along the unstable x axis in either direction then the field from its magnetic dipole, as detected at sensor **26**, has a non-zero component in the x direction which increases with increasing
20 displacement of magnetic element **12** from equilibrium location **13**. Thus, the signal output by a Hall effect sensor **26** can be used to provide feedback to controller **24** regarding the position of magnetic element **12** along the unstable x axis.

25 [0028] Controller **24** adjusts current in coils **22** to maintain levitated magnetic element **12** at equilibrium location **13**. Controller **24**

- 12 -

may comprise any suitable control technology including a suitably programmed data processor such as a computer, programmable controller, or digital signal processor, or a suitable analog or digital feedback control circuit.

5

[0029] The distance $D3$ between equilibrium location 13 at which magnetic element 12 can be stably levitated and the plane 18 adjacent to magnets 14 and 16 may be varied by adjusting distance $D1$ between magnets 14A and 14B. Decreasing distance $D1$ slightly while magnetic
10 element 12 is being levitated causes distance $D3$ to decrease while increasing the stability of magnetic element 12 with respect to displacements from equilibrium location 13 in stability plane 20 (i.e. the $y-z$ plane in Figure 1). Increasing distance $D1$ slightly while magnetic element 12 is being levitated causes distance $D3$ to increase while
15 decreasing the stability of magnetic element 12 with respect to displacements from equilibrium location 13 in stability plane 20.

[0030] Preferably equilibrium location 13 is a position such that the static magnetic field of magnets 14 and 16 provides sufficient force to
20 counteract the force of gravity on magnetic element 12 at equilibrium location 13 in the absence of current flowing in coils 22. Magnetic element 12 is unstable in the x direction. Coils 22 are operated to counteract any movement in the x direction of magnetic element 12 away from equilibrium location 13. In such embodiments it is only necessary
25 to cause current to flow in coils 22 when magnetic element 12 has moved or is moving away from equilibrium location 13. This makes it possible

- 13 -

to minimize the electrical power expenditure required to stabilize magnetic element **12** at equilibrium location **13**.

[0031] Control coils **22** are arranged so that they can be operated to
5 provide a magnetic field gradient (dBz/dx) near equilibrium location **13**
sufficient to control the position of magnetic element **12** on the unstable
 x axis. The dimensions and locations of coils **22** may advantageously be
chosen so that the magnitude of the magnetic field produced by coils **22**
is very small in the vicinity of equilibrium location **13**. This permits
10 stabilization of magnetic element **12** without introducing significant
transverse magnetic field components at the location of magnetic element
12 which would tend to rotate magnetic element **12**. In practice, it is
desirable that the components of the magnetic field from coils **22** in the
 x , y and z directions be as small as practical at equilibrium location **13**
15 while having a gradient (dBz/dx) in the x direction large enough to
provide sufficient force to control the position of magnetic element **12** on
the x axis.

[0032] Figure 3 illustrates a system **10A** having one configuration
20 of control coils **22** which minimizes the magnetic field from coils **22** in
the vicinity of equilibrium location **13**. The same reference numbers are
used to indicate parts of system **10A** which are also found in system **10**
of Figure 1. System **10A** has four coils **22**, coils **22A**, **22B**, **22C**, and
22D. Coils **22A** through **22D** are rectangular coils arranged parallel to
25 plane **18** and parallel to one another. The long sides of coils **22A** to **22D**
extend parallel to the y axis and transversely to the unstable x axis. Coils

- 14 -

22A through 22D are arrayed symmetrically along the x axis. Magnets 14A and 14B may be within coils 22A and 22B respectively, as shown. Coils 22A through 22D are located symmetrically with respect to the y - z stability plane. Ideally coils 22A and 22B are close together, coils 22A and 22C are close together and coils 22B and 22D are close together. Coils 22C and 22D are preferably wider than coils 22A and 22B in their dimensions parallel to the x axis. In the illustrated embodiment, coil 22A has the same dimensions as coil 22B and coil 22C has the same dimensions as coil 22D.

10

[0033] It is desirable that at least those components of the magnetic fields generated by coils 22 which are parallel to plane 18 substantially cancel one another, at least in the vicinity of equilibrium location 13. This result may be produced by suitably choosing the dimensions of coils 22 and passing appropriate electric current(s) through coils 22 in appropriate senses. Electrical current passes through inner coils 22A and 22B in opposite senses to generate a stabilizing magnetic force on magnet 12. If the current passes through coil 22A in a clockwise sense, current must pass counterclockwise through coil 22B. At the same time, the current flow in coil 22C is counterclockwise and the current flow in coil 22D is clockwise. This creates a stabilizing magnetic field which applies force to urge magnetic element 12 in one direction along the unstable x axis. To create a stabilizing magnetic field which applies force to urge magnetic element 12 in the opposite direction along the unstable x axis, the sense in which current flows in each of coils 22 can be reversed.

25

- 15 -

[0034] The arrangement of coils 22 shown in Figure 3 produces a magnetic quadrupole field at equilibrium location 13 when coils 22 have equal numbers of windings, suitable dimensions, and carry equal electrical currents flowing in the correct sense in each coil. A magnetic quadrupole is a point in space where the magnitude of a magnetic field is zero while the gradients of the magnetic field are linear and symmetric about the point. In this case, coils 22 cause a stabilizing magnetic force to be applied to magnetic element 12. The magnitude of the stabilizing force applied to magnetic element 12 is proportional to the magnitude of the gradient dBz/dx of the magnetic field at the location of magnetic element 12.

[0035] Figure 7 is a section taken in the x - z plane through coils 22. For coils 22 to produce a quadrupole field at equilibrium location 13 it is desirable that coils 22A and 22B have equal widths $W1$, coils 22C and 22D have equal widths $W2$ and that $W1$ be related to $W2$ and the distance $D3$ by $W1=D3$ and $W2 \geq D3$. All of coils 22 may have the same length. The length of each coil 22 in the direction transverse to the unstable x axis is greater than its width.

[0036] Controller 24 preferably inhibits the operation of system 10 in case magnetic element 12 is not detected by sensor 26 as being in the vicinity of equilibrium location 13. For example, if magnetic element 12 crashes it is desirable to prevent controller 24 from attempting to correct the position of magnetic element 12 by passing electrical current through

- 16 -

coils 22. This would waste energy, could cause coils 22 to overheat, and in an extreme case could damage the control circuits which supply power to coils 22. Controller 24 may be configured to switch to an inactive mode whenever the signal from sensor 26 indicates that magnetic
5 element 12 is not within a desired distance of equilibrium location 13. Controller 24 may be configured to remain in the inactive mode until reset. System 10 may include a reset switch which can be operated by a user to reset controller 24.

10 [0037] In some cases it can be desirable to provide additional magnets which add to the strength of the static magnetic field at equilibrium location 13. The stability of magnetic element 12 against overturning moments increases with the strength of the static magnetic field at equilibrium location 13. This is because the magnetic dipole of
15 magnetic element 12 tends to align itself with the surrounding magnetic field. If the magnetic dipole of magnetic element 12 becomes misaligned with the magnetic field then magnetic element 12 experiences a corrective torque. The magnitude of the corrective torque is proportional to the strength of the magnetic field at the location of magnetic element
20 12.

[0038] Figure 4 shows an arrangement of additional magnets 30 which increases the strength of the magnetic field at equilibrium location 13 but does not adversely affect the magnetic field gradients which create
25 the forces used to maintain magnetic element 12 at equilibrium location 13. Additional magnets 30 are arranged in a ring 31. Each additional

- 17 -

magnet **30** provides a magnetic dipole oriented in the same sense as magnets **14**.

[0039] Ring **31** lies in plane **18** or in a plane parallel to plane **18**.
5 Equilibrium location **13** lies on a line extending perpendicular to the plane of ring **31** from the center of ring **31**. The radius of ring **31** is chosen so that the z component of the magnetic field produced by magnets **30** has substantially no gradient in the z direction at equilibrium location **13** (i.e. at equilibrium location **13**, $dB(30)_z/dz = 0$) where
10 $B(30)_z$ is the z component of the magnetic field produced by magnets **30**.
In this context, "substantially no gradient" means a gradient which is at least significantly less than, preferably less than 25% of and most preferably less than 7% of, the gradient of the static magnetic field produced by magnets **14** and **16** which cause magnetic element **12** to
15 levitate at equilibrium location **13**. By virtue of symmetry of the magnets in ring **31** about the z axis, there are no net horizontal components of the magnetic field produced by magnets **30** at equilibrium location **13** that would cause magnetic element **12** to align itself in any direction but parallel to the z axis.

20

[0040] System **10** may be started by initially supporting magnetic element **12** in the vicinity of equilibrium location **13**, engaging controller **24** and then removing whatever support is used to provide initial support to magnetic element **12**. For example, system **10** may include a non-
25 magnetic support **40** which is movable relative to magnets **14** and **16** between a lowered position **42A** and a raised position **42B** as shown in

- 18 -

Figure 5. When support **40** is in its raised position **42B** it supports magnetic element **12** at equilibrium location **13**. After system **10** is operating to maintain magnetic element **12** at equilibrium location **13**, support **40** can be lowered to position **42A**.

5

[0041] Support **40** may comprise an arm, a table, a column, or the like. Support **40** is movable between a first position in which it supports magnetic element **12** at or near equilibrium location **13** and a second position in which it is out of the way of equilibrium location **13**. Any suitable mechanism may be provided to enable support **40** to move between the first and second positions. The mechanism may comprise, for example, one or more hinges, pivots, sliding members, flexible members, or the like.

10 [0042] As shown in Figure 1B, system **10** may optionally include one or more secondary electromagnets **22'**. Secondary electromagnets **22'** may be used to further stabilize magnetic element **12**. For instance, an electromagnet that is symmetric about the z axis and is located parallel to plane **18** can generate a magnetic field gradient parallel to the z axis that augments the static magnetic field from magnets **14** and **16**. This magnetic field gradient will generate a force on the magnetic element **12** in a direction parallel to the z axis. The magnitude and sense of the force is controlled by the electric current flowing in secondary electromagnet **22'**. A secondary sensor **26B** oriented to detect motion of the magnetic element along the z axis provides feedback to a secondary controller **24B** (which could be an independent control pathway provided by the same

15
20
25

- 19 -

hardware/software used to provide controller 24 or could be a separate independent controller). Controller 24B controls the electric current flow in secondary electromagnet 22'. The secondary electromagnet system may be used to dampen vibration of magnetic element 12 along the z axis or to cause magnetic element 12 to move in the +z or -z direction about equilibrium location 13. By repeatedly reversing the flow of current in secondary electromagnet 22' at an appropriate rate, controller 24B can cause magnetic element 12 to oscillate about equilibrium location 13 along the z axis.

10

[0043] Electromagnets in other orientations with appropriate feedback sensors may be provided in conjunction with suitable controllers to provide forces on the magnetic element 12 along the y axis or to provide magnetic torques on magnetic element 12. In this manner, the levitated element can be steered around the equilibrium location to a limited degree or made to vibrate in some direction.

[0044] System 10 may include mechanisms to animate or illuminate magnetic element 12. Figure 6 shows a novelty toy 50, which includes a mechanism for animating magnetic element 12, and a system for illuminating magnetic element 12. Figure 6 omits details of the mechanism for levitating magnetic element 12 for clarity. The levitation mechanism may be enclosed within base 17.

[0045] In toy 50, magnetic element 12 comprises a lightweight shell 52 resembling the body of a helicopter. A permanent magnet 54 is

25

- 20 -

affixed within shell 52. Magnet 54 interacts with a levitation system, as described above, to levitate magnetic element 12 at an equilibrium location. Toy 50 includes an animation mechanism 60. Animation mechanism 60 comprises a small electric motor 62 which drives a rotor 56. Motor 62 is powered by electrical power supplied by way of a high frequency coupling system. The coupling system may comprise an air core transformer. A transmitting coil 66 mounted in base 17 is excited with high frequency (e.g. radio frequency) electrical signals. A signal emitted by transmitting coil 66 is coupled to a receiving coil 67 in magnetic element 12. This induces electrical currents in receiving coil 67. The electrical currents are rectified by a rectifier circuit 68 to produce electricity which drives motor 62. Electricity from rectifier circuit 68 could be used to power electrical devices other than or in addition to motor 62. For example, the electricity could be used to operate small lamps (which could be, for example, light-emitting diodes (LEDs)).

[0046] Toy 50 also includes an illumination system 70. Illumination system 70 comprises a high intensity light source 72 in base 17. Light source 72 generates a beam 73 of light. Beam 73 illuminates a light receptor 74 on magnetic element 12. In the illustrated embodiment, light receptor 74 comprises a lens 75 which focuses light from beam 73 into a bundle of optical fibers 76. Optical fibers 76 extend to locations on shell 52 corresponding to navigation lights and the like. Beam 73 may be tightly confined so that it is not readily apparent to a person observing toy 50. Mirrors, diffusers or other optical elements may be used to direct

- 21 -

light from light receptor 74 to illuminate surface features of magnetic element 12 instead of or in addition to optical fibers 76.

[0047] Where a component (e.g. a magnet, assembly, device,
5 circuit, etc.) is referred to above, unless otherwise indicated, reference to that component (including a reference to a "means") should be interpreted as including as equivalents of that component any component which performs the function of the described component (i.e., that is functionally equivalent), including components which are not structurally
10 equivalent to the disclosed structure which performs the function in the illustrated exemplary embodiments of the invention.

[0048] As will be apparent to those skilled in the art in the light of the foregoing disclosure, many alterations and modifications are possible
15 in the practice of this invention without departing from the spirit or scope thereof. For example:

- In the illustrated embodiments, the magnetic dipole moments of magnets 14 and 16 are parallel to one another. In some
20 embodiments of the invention, magnets 14 and/or 16 are oriented so that their magnetic dipole moments lie at acute angles to plane 18.
- In the illustrated embodiment, the uppermost poles of magnets 14 and 16 are co-planar and all lie adjacent to a plane 18. Magnets 14 and 16 are not necessarily co-planar.
- 25 • In the illustrated embodiments, the "N" poles of magnets 14 and 16 face equilibrium location 13. The polarity of magnets 14 and 16

- 22 -

could be reversed so that "S" poles of magnets 14 and 16 face equilibrium location 13.

- Control coils 22 are not necessarily formed of a plurality of discrete coils. A single winding may be arranged to provide a magnetic field substantially the same as the magnetic field provided by a number of discrete coils.
- Additional rings of magnetic dipoles concentric with ring 31 may be provided. Since it is preferred that the ring (s) produce a magnetic field for which $dB(30)z/dz=0$ at equilibrium location 13, where there are rings of different diameters, each ring is preferably located at a different distance from equilibrium location 13 to keep $dB(30)z/dz=0$.
- Ring 31 may comprise one or more ring magnets instead of discrete dipoles.
- Magnets 14 and/or magnets 16 could be replaced by an arrangement of symmetrically arranged smaller magnets which produce a similar magnetic field. However, it is generally desirable to use fewer discrete magnets, rather than more so as to minimize the space taken up by magnets.
- While coils 22 have been illustrated as being rectangular, other coil shapes could also be used to generate a stabilizing magnetic force on magnetic element 12. For example, the coils could be triangular like coils 22E and 22F of Figure 8A or semicircular like coils 22G and 22H of Figure 8B.
- Any suitable non-contact sensor may be used for sensor 26 . Sensor 26 could, for example, comprise a suitable optical,

- 23 -

capacitative, or other sensor. Sensor 26 may detect the position of magnetic element 12 along the unstable axis in any suitable manner. In preferred embodiments, sensor 26 is of a type that can detect motion of magnetic element 12 along the unstable axis from
5 a location that is removed from equilibrium location 13 by a distance equal to the distance between plane 18 and equilibrium location 13.

Accordingly, the scope of the invention is to be construed in accordance with the substance defined by the following claims.

- 24 -

WHAT IS CLAIMED IS:

1. Apparatus for levitating a magnetic element, the apparatus comprising:
 - 5 at least two magnets arranged to generate a static magnetic field providing a position-dependent potential energy of interaction with a magnetic element, the static magnetic field providing an equilibrium location wherein the potential energy decreases for displacements of the magnetic element away from
10 the equilibrium location along an unstable axis and increases for displacements of the magnetic element away from the equilibrium location in any direction perpendicular to the unstable axis;
a position sensor generating a feedback signal indicative of the location of the magnetic element on the unstable axis;
 - 15 an electromagnet configured to generate a control magnetic field upon the passage of an electrical current through the electromagnet, the control magnetic field having a gradient with respect to displacements along the unstable axis at the equilibrium location; and,
 - 20 a controller connected to receive the feedback signal and to control the electrical current in the electromagnet to prevent the magnetic element from leaving a vicinity of the equilibrium location.
- 25 2. An apparatus according to claim 1 wherein the electromagnet comprises at least two coils spaced along an axis parallel to the unstable axis.

- 25 -

3. An apparatus according to claim 2 wherein the at least two coils are rectangular coils having long sides extending transversely to the unstable axis.
- 5 4. An apparatus according to claim 2 wherein the electromagnet comprises four coils spaced along an axis parallel to the unstable axis wherein upon the passage of the electrical current through the four coils each of the four coils has a magnetic polarity opposite to the magnetic polarity of adjacent ones of the four coils.
- 10 5. An apparatus according to claim 2 wherein the electromagnet comprises four coils spaced along an axis parallel to the unstable axis, the four coils comprising first and second rectangular coils located between third and fourth rectangular coils wherein, upon
15 the passage of the electrical current through the first through fourth coils, a component of a magnetic field produced by the first and second coils at the equilibrium location is cancelled by a magnetic field produced by the third and fourth coils.
- 20 6. An apparatus according to any one of claims 2 to 5 wherein the coils of the electromagnet are substantially coplanar.
7. An apparatus according to any one of claims 1 to 6 wherein the
25 electromagnet is configured to generate a quadrupole magnetic field at the equilibrium location upon the passage of the electrical current.

- 26 -

8. An apparatus according to any one of claims 1 to 7 wherein the at least two magnets comprise first, second, third and fourth magnets arranged in a diamond pattern with the first and second magnets closer together than the third and fourth magnets.

5

9. An apparatus according to claim 8 wherein the third and fourth magnets are stronger than the first and second magnets.

10. An apparatus according to any one of claims 1 to 7 wherein the at least two magnets comprise first and second magnets spaced apart from one another by a first distance, $D1$, in a direction parallel to the unstable axis and third and fourth magnets spaced apart from one another by a second distance, $D2$, in a direction transverse to the unstable axis, wherein $D1 < D2$, each of the first and second magnets is equidistant from an axis of symmetry of the at least two magnets and each of the third and fourth magnets is equidistant from the axis of symmetry.

15

11. An apparatus according to claim 10 wherein each of the first and second magnets is equidistant from each of the third and fourth magnets.

20

12. An apparatus according to claim 10 or 11 wherein each of the first, second, third and fourth magnets has a first magnetic pole facing toward the equilibrium location and a second magnetic pole facing away from the equilibrium location and the first magnetic poles of the first, second, third and fourth magnets are substantially coplanar.

25

- 27 -

13. An apparatus according to claim 12 wherein the first magnetic poles of the first, second, third and fourth magnets are substantially coplanar adjacent to a plane extending perpendicular to the symmetry axis.
- 5 14. An apparatus according to claim 13 wherein the electromagnet comprises at least two coils lying parallel to and adjacent the plane.
15. An apparatus according to any one of claims 1 to 14 wherein the at least two magnets comprise permanent magnets.
- 10 16. An apparatus according to any one of claims 1 to 14 wherein the at least two magnets are all permanent magnets.
- 15 17. An apparatus according to any one of claims 10 to 14 wherein the electromagnet comprises at least two coils spaced along an axis parallel to the unstable axis and a first one of the at least two coils extends around the first magnet and a second one of the at least two coils extends around the second magnet.
- 20 18. An apparatus according to claim 17 where the at least two coils of the electromagnet each have a width $W1$ along the axis parallel to the unstable axis equal to an equilibrium height $D3$, wherein the equilibrium height $D3$ is a distance between the equilibrium position and a plane passing through the at least two coils.
- 25 19. An apparatus according to claim 18 comprising third and fourth coils positioned along the axis parallel to the unstable axis on either side of

- 28 -

19. An apparatus according to claim 18 comprising third and fourth coils positioned along the axis parallel to the unstable axis on either side of and adjacent to the first and second coils, the third and fourth coils having have widths $W2$ at least equal to width $W1$ of the first and second
5 coils.
20. An apparatus according to claim 17 wherein the third and fourth permanent magnets are both located outside of any of the at least two
10 coils.
21. An apparatus according to any of claims 17 to 20 wherein the at least two coils comprise rectangular coils.
22. An apparatus according to any of claims 17 to 20 wherein the at
15 least two coils comprise semi-circular coils.
23. An apparatus according to any of claims 17 to 20 wherein the at least two coils comprise triangular coils.
- 20 24. An apparatus according to claim 12 wherein the first, second, third and fourth magnets are positioned such that a line passing through the first and second magnetic poles of each of the first, second, third and fourth magnets intersects and forms an acute angle with the axis of
25 symmetry.
25. An apparatus according to any one of claims 8 to 24 wherein the first, second, third and fourth permanent magnets are permanent magnets

- 29 -

selected from the group consisting of NdFeB, Barium Ferrite, Samarium Cobalt and AlNiCo magnets.

26. An apparatus according to any one of claims 1 to 25 comprising an
5 arrangement of field reinforcing magnets positioned to generate a magnetic field which has substantially no gradient at the equilibrium location and which augments the static magnetic field near the equilibrium position.

10 27. An apparatus according to claim 26 wherein the arrangement of field reinforcing magnets comprises at least three magnetic dipoles spaced apart to form a ring.

28. An apparatus according to claim 27 wherein the at least three
15 magnetic dipoles comprise at least three permanent magnets spaced apart to form the ring.

29. An apparatus according to claim 27 wherein the arrangement of
20 filed reinforcing magnets comprises a secondary electromagnet.

30. An apparatus according to claim 29 comprising a secondary
controller for controlling an electrical current through the secondary
electromagnet and a secondary sensor for generating a feedback signal
indicative of a distance of the magnetic element from a plane passing
25 through the secondary electromagnet.

- 30 -

31. An apparatus according to any one of claims 1 to 30 comprising a transmitting coil connected to a source of alternating current having a frequency in excess of 10 kHz wherein the magnetic element comprises a receiving coil and an electrical device powered by electrical current
5 induced in the receiving coil.
32. An apparatus according to claim 31 wherein the electrical device comprises a rectifier connected to supply direct current to a motor.
- 10 33. An apparatus according to claim 31 wherein the electrical device comprises a lamp.
34. An apparatus according to any one of claims 1 to 33 comprising a light source oriented to direct a beam of light at a light receptor on the
15 magnetic element wherein the magnetic element comprises an optical system for directing light from the light receptor to one or more visible locations on the magnetic element.
35. An application according to any one of claims 1 to 34 comprising
20 a support moveable between an first position in which the support supports the magnetic element approximately at the equilibrium location, and a second position in which the support is out of the way of the equilibrium location.
- 25 36. An apparatus according to any one of claims 1 to 35 comprising a secondary electromagnet disposed to apply a force to the levitated magnetic element.

- 31 -

37. Apparatus for levitating a magnetic element, the apparatus comprising:

5 means for generating a static magnetic field providing a position-dependent potential energy of interaction with a magnetic element, the static magnetic field providing an equilibrium location wherein the potential energy decreases for displacements of the magnetic element away from the equilibrium location along an unstable axis and increases for displacements of the magnetic
10 element away from the equilibrium location in any direction perpendicular to the unstable axis;

means for generating a feedback signal indicative of the location of the magnetic element on the unstable axis;

15 control means for directing the magnetic element to the equilibrium location by providing a quadrupole control magnetic field at the equilibrium location in response to the feedback signal.

38. A method for levitating a magnetic element at an equilibrium
20 location, the method comprising:

providing a static magnetic field providing a position-dependent potential energy of interaction with a magnetic element, the static magnetic field providing an equilibrium location wherein the potential energy decreases for displacements of the magnetic
25 element away from the equilibrium location along an unstable axis and increases for displacements of the magnetic element away

- 32 -

from the equilibrium location in any direction perpendicular to the unstable axis;

generating a feedback signal indicative of the location of the magnetic element on the unstable axis;

5 forcing the magnetic element toward the equilibrium location by providing a quadrupole control magnetic field at the equilibrium location in response to the feedback signal.

39. Apparatus for levitating a magnetic element, the apparatus
10 comprising:

at least two magnets arranged to generate a static magnetic field providing a position-dependent potential energy of interaction with a magnetic element, the static magnetic field providing an equilibrium location wherein the potential energy
15 decreases for displacements of the magnetic element away from the equilibrium location along an unstable axis and increases for displacements of the magnetic element away from the equilibrium location in any direction perpendicular to the unstable axis, the at least two magnets comprising first and second magnets spaced
20 apart from one another by a first distance, $D1$, in a direction parallel to the unstable axis and third and fourth magnets spaced apart from one another by a second distance, $D2$, in a direction perpendicular to the unstable axis, wherein $D1 < D2$ and each of the first and second magnets and each of the third and fourth magnets
25 is equidistant from the axis of symmetry;

a position sensor generating a feedback signal indicative of the location of the magnetic element on the unstable axis; and,

- 33 -

a controller connected to receive the feedback signal and to control a means for applying a controllable force to the magnetic element to direct the magnetic element to the equilibrium location.

5 40. Apparatus for levitating a magnetic element, the apparatus comprising:

at least two magnets arranged to generate a static magnetic field providing a position-dependent potential energy of interaction with a magnetic element, the static magnetic field providing an equilibrium
10 location wherein the potential energy decreases for displacements of the magnetic element away from the equilibrium location along an unstable axis and increases for displacements of the magnetic element away from the equilibrium location in any direction perpendicular to the unstable axis, the at least two magnets comprising at least two magnetic dipoles
15 spaced apart around a ring, the at least two magnetic dipoles providing a magnetic field component having substantially no gradient at the equilibrium location;

a position sensor generating a feedback signal indicative of the location of the magnetic element on the unstable axis; and,

20 a controller connected to receive the feedback signal and to control a means for applying a controllable force to the magnetic element to direct the magnetic element to the equilibrium location.

41. Apparatus having any new, useful and inventive feature,
25 combination of features or subcombination of features described herein whether or not otherwise claimed.

- 34 -

42. Methods having any new, useful and inventive step, act, combination of steps and/or acts, or subcombination of steps and/or acts described herein whether or not otherwise claimed.

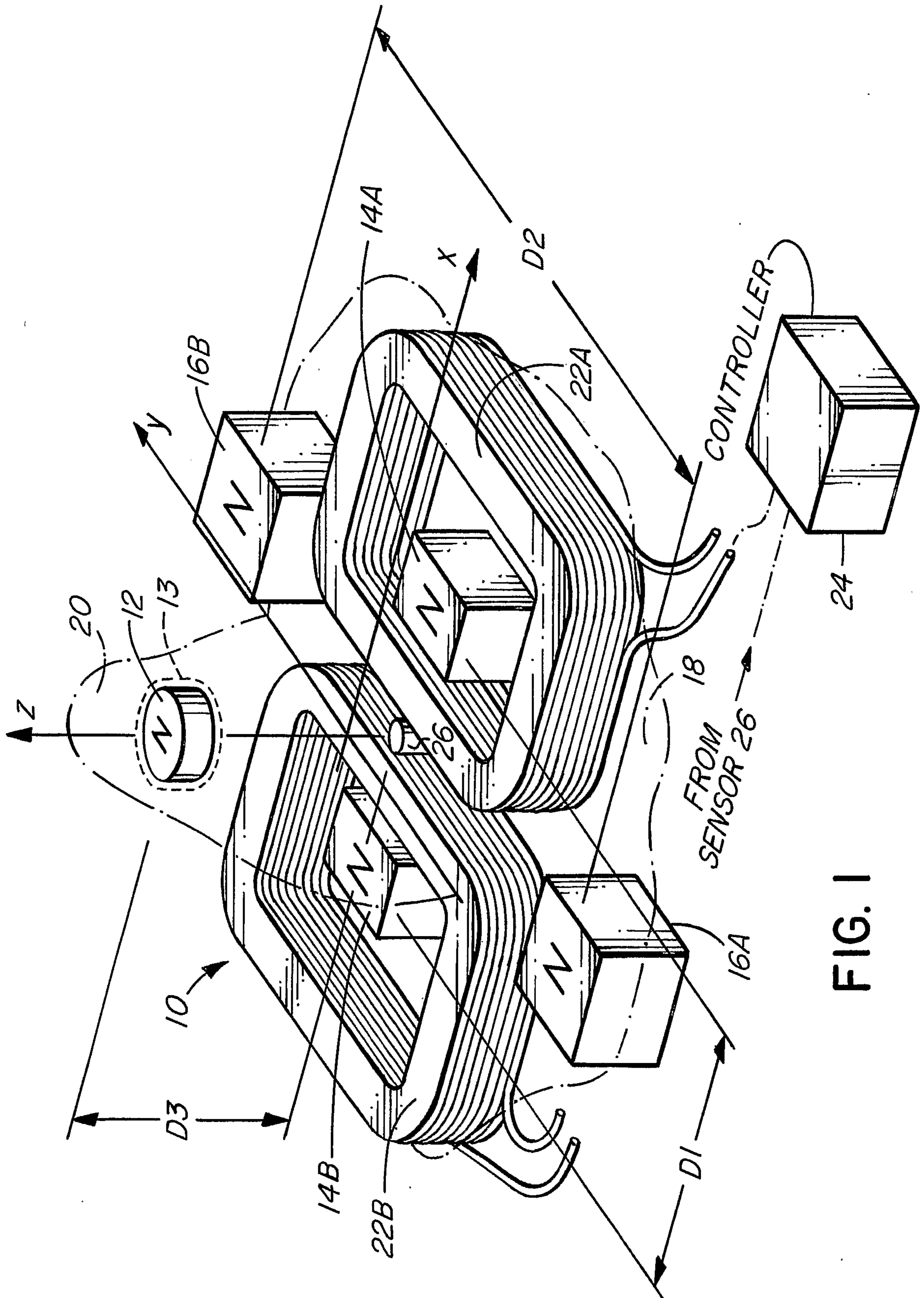


FIG. 1

2/9

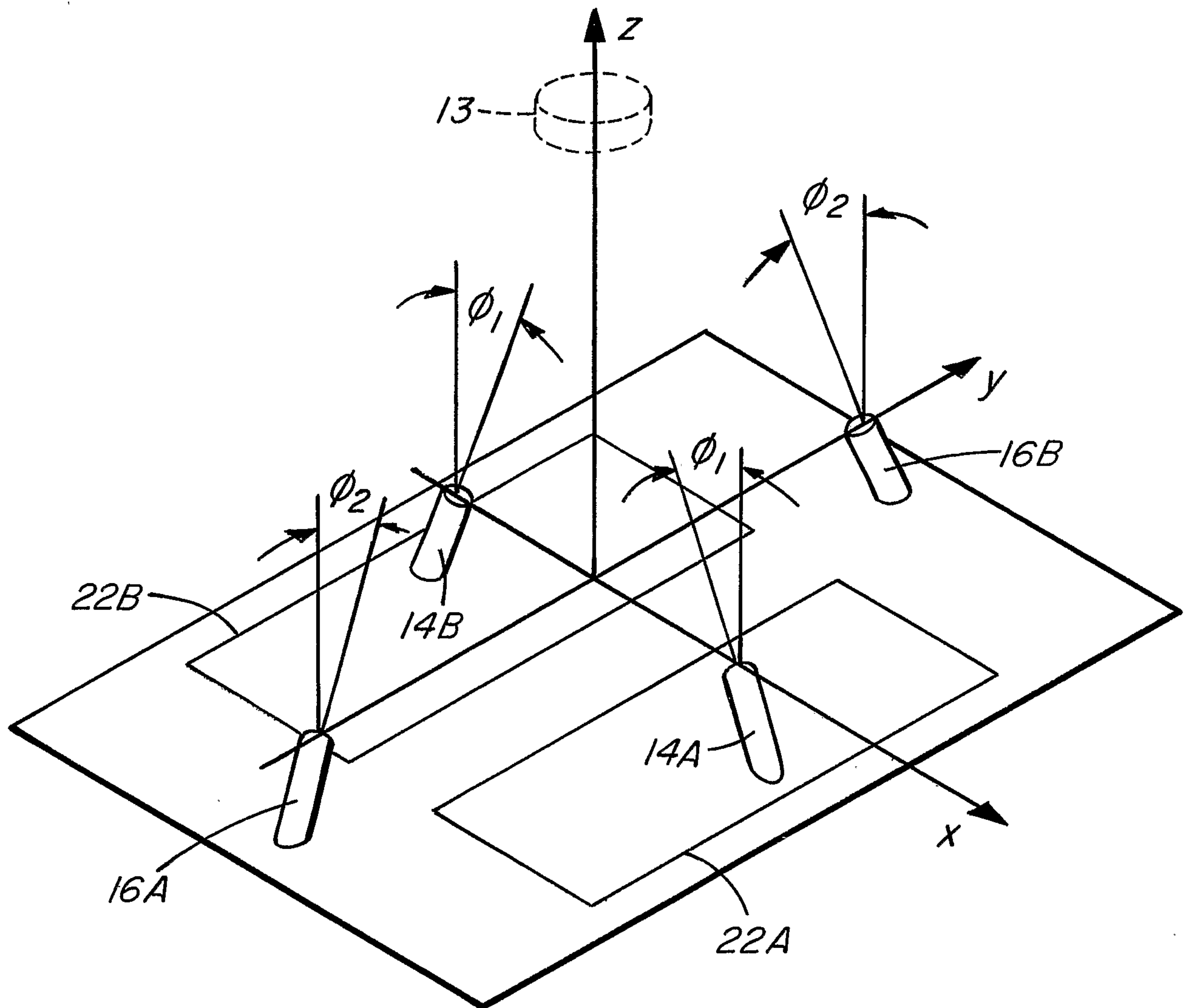


FIG. 1A

3/9

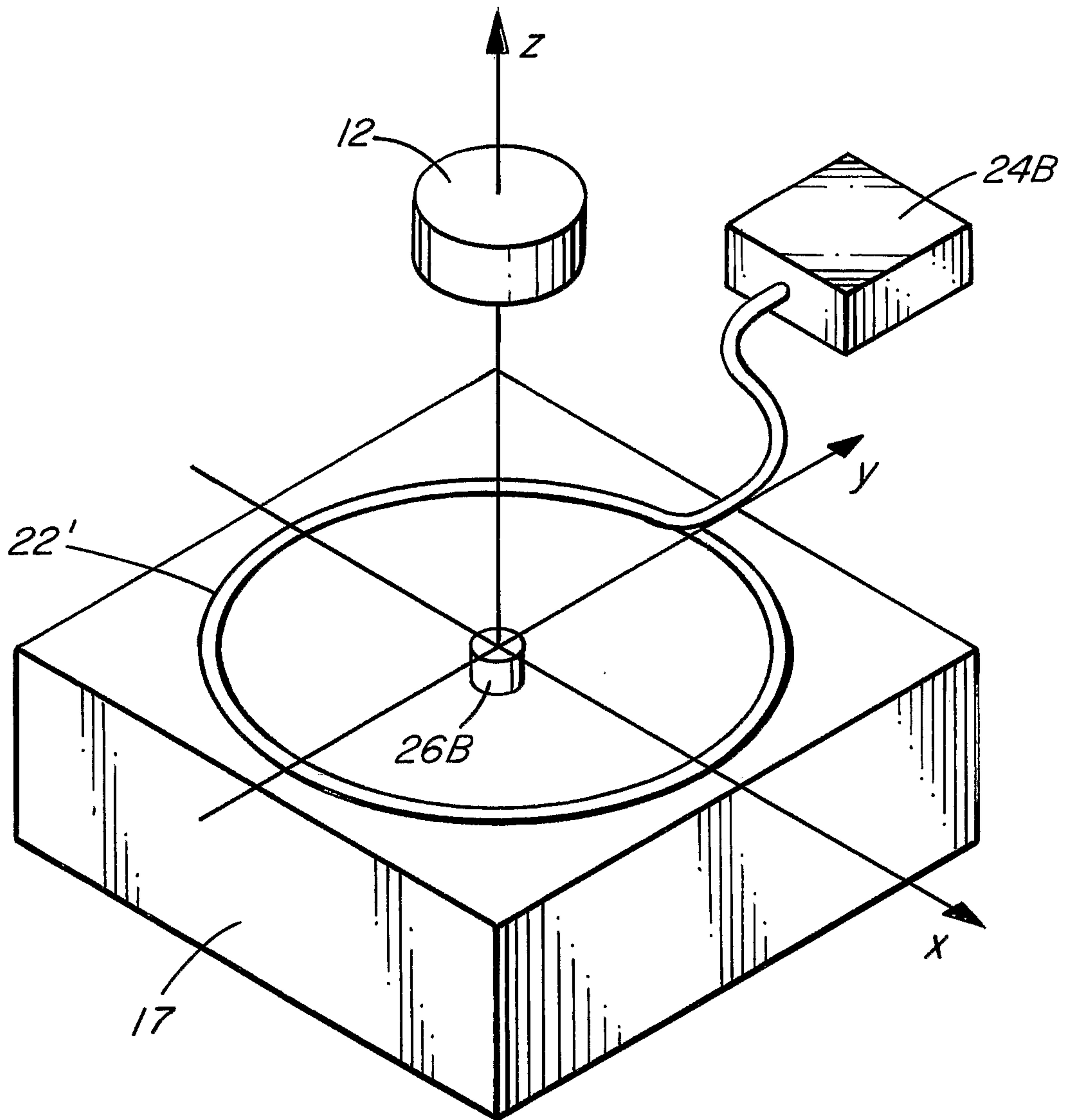


FIG. 1B

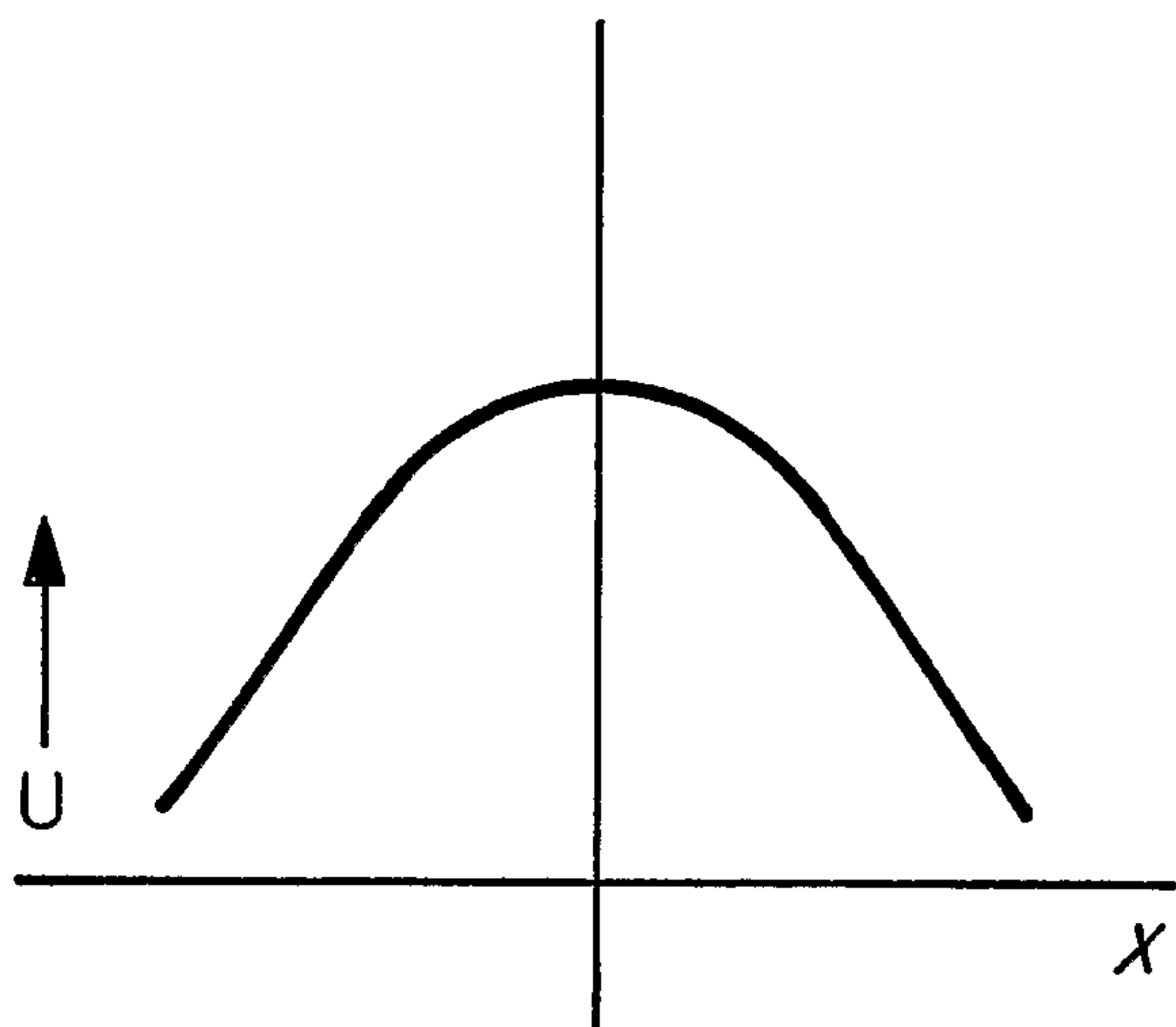


FIG. 2A

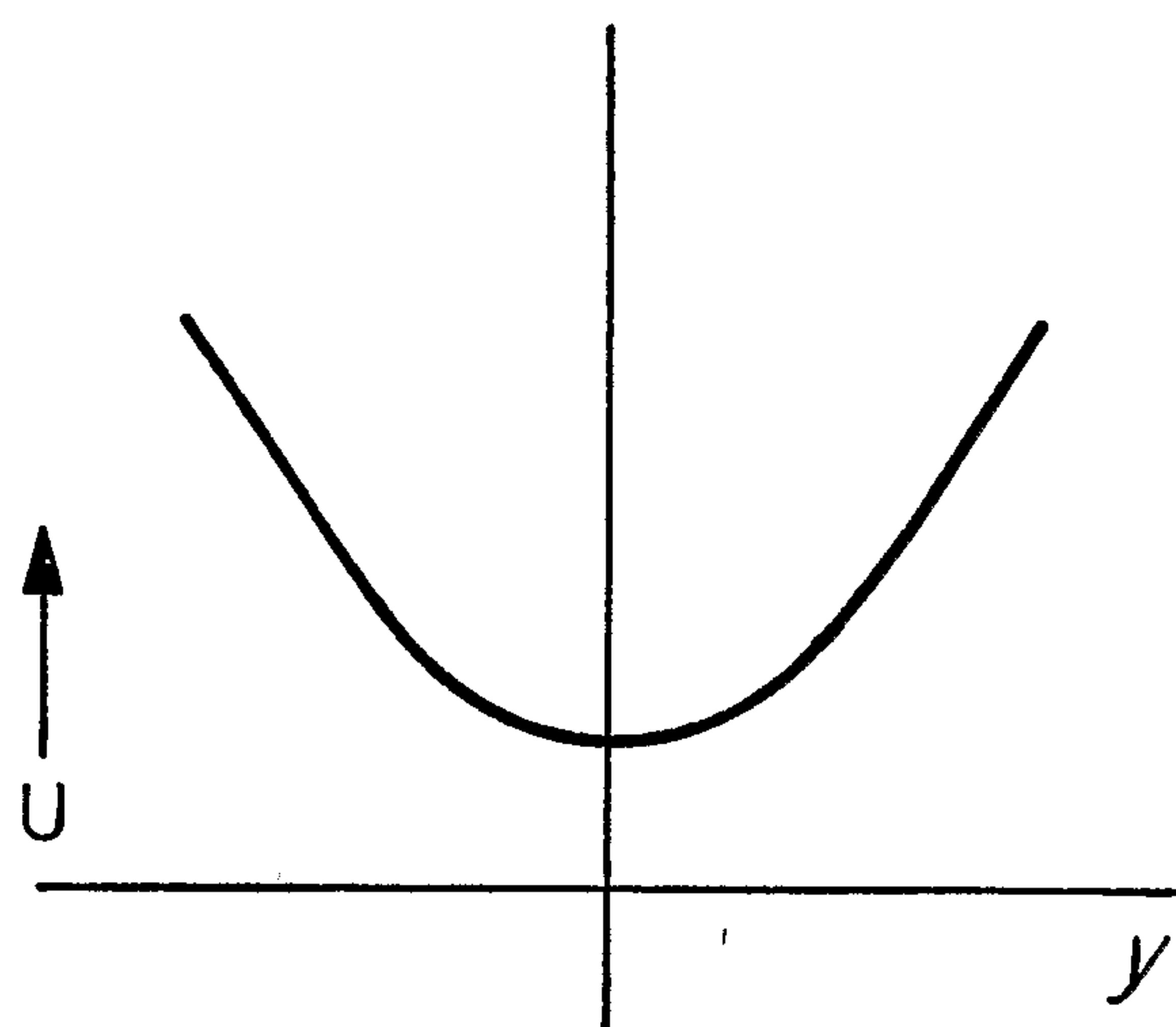


FIG. 2B

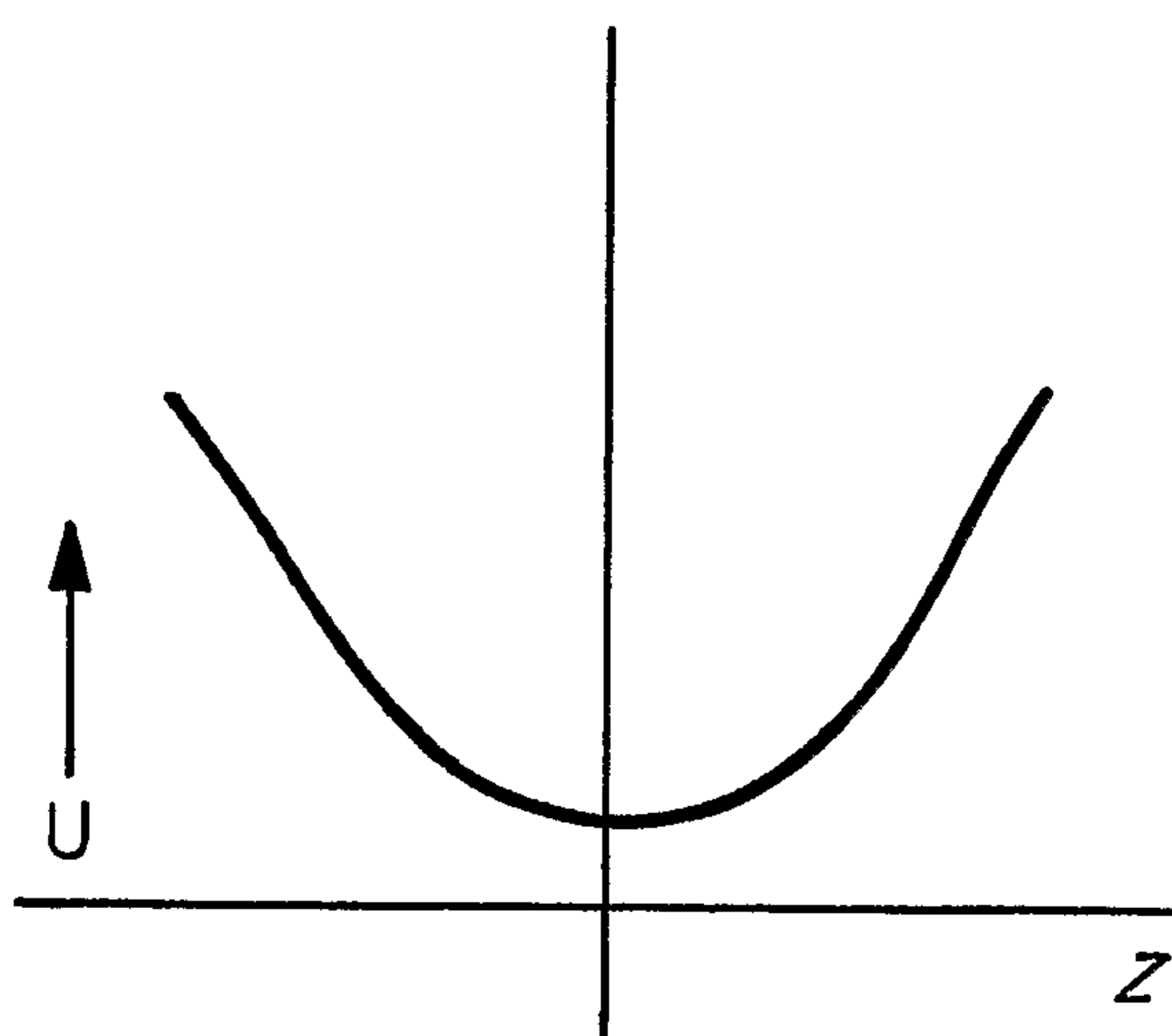


FIG. 2C

5/9

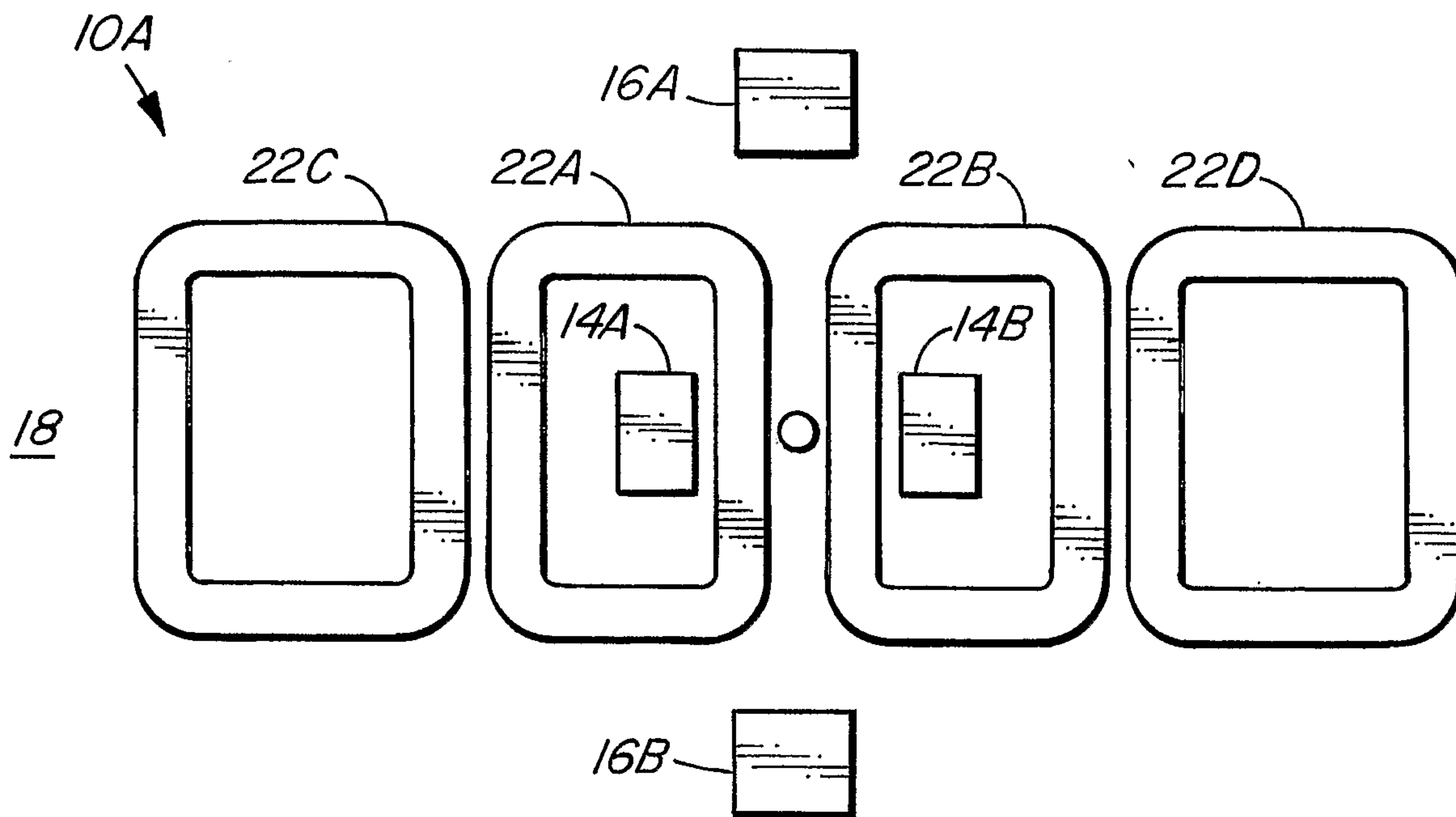


FIG. 3

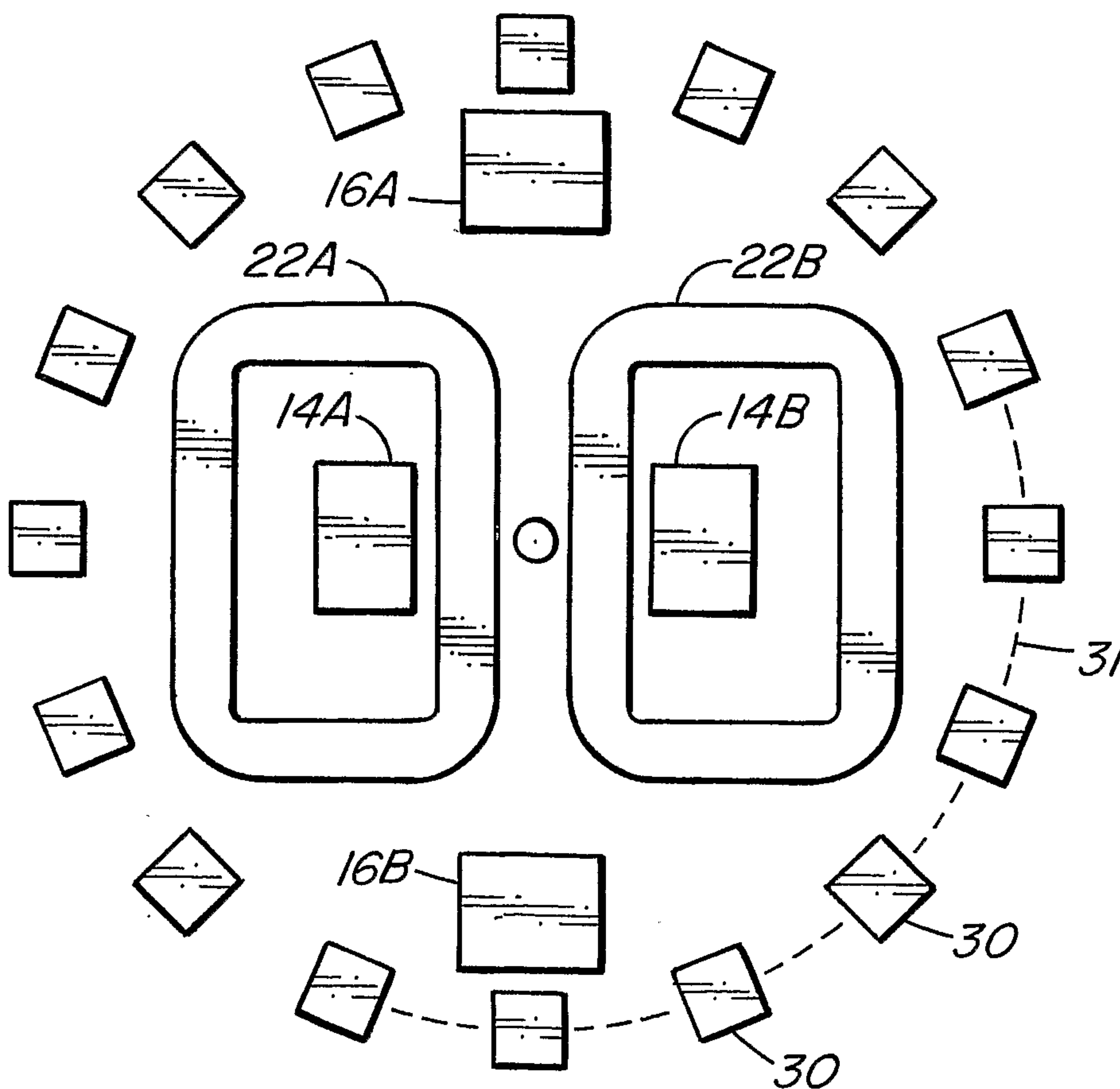


FIG. 4

6/9

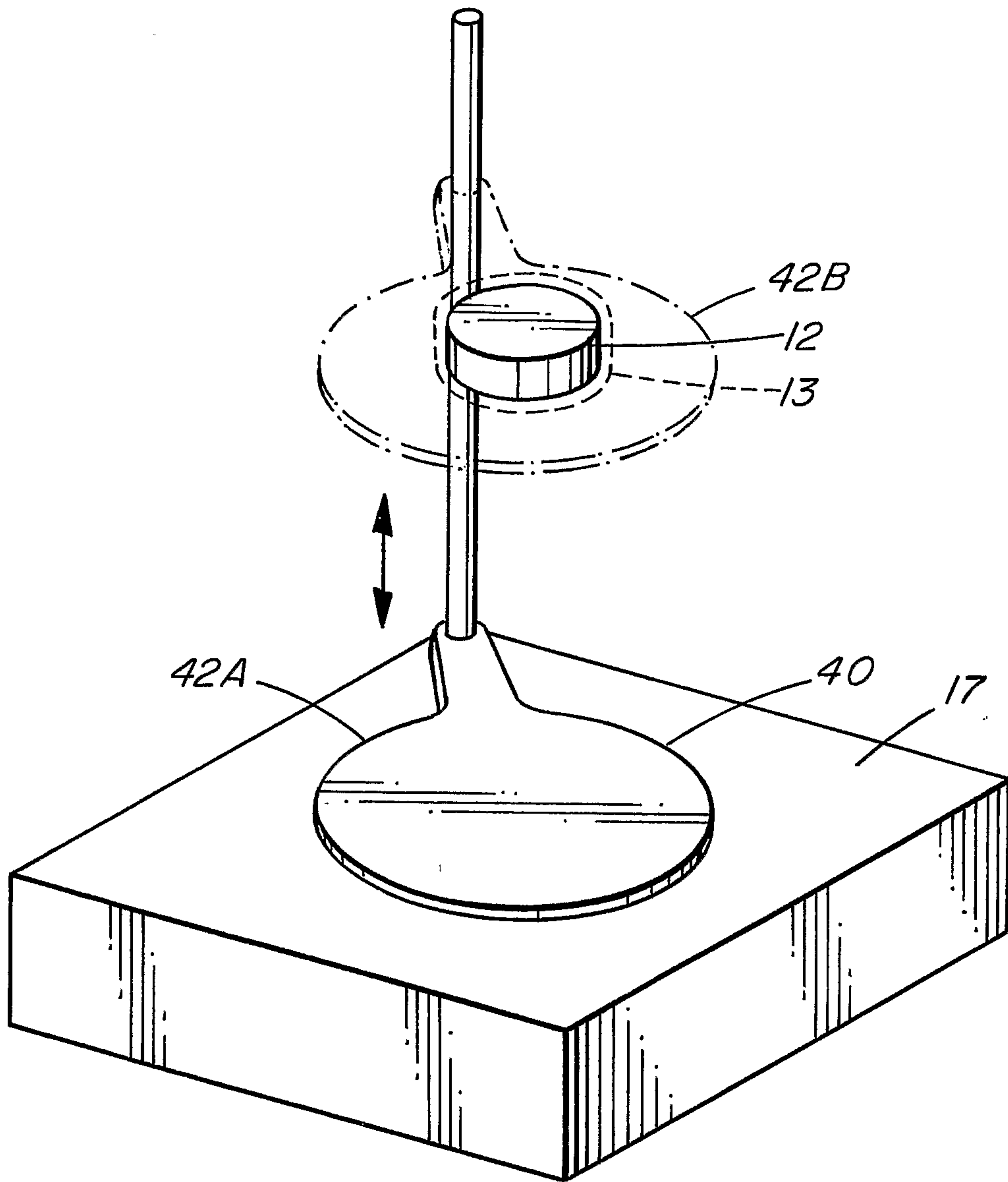


FIG. 5

7/9

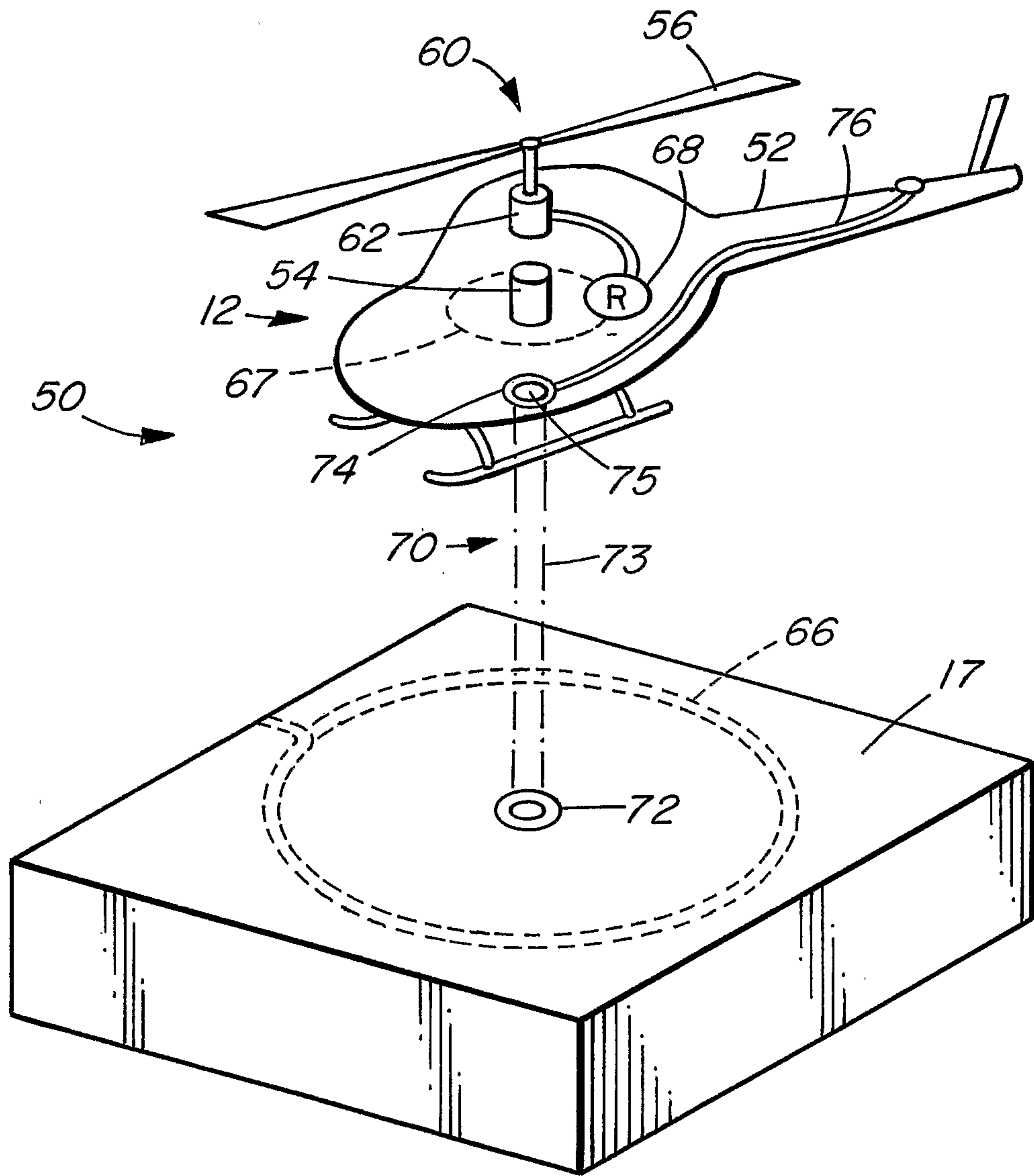


FIG. 6

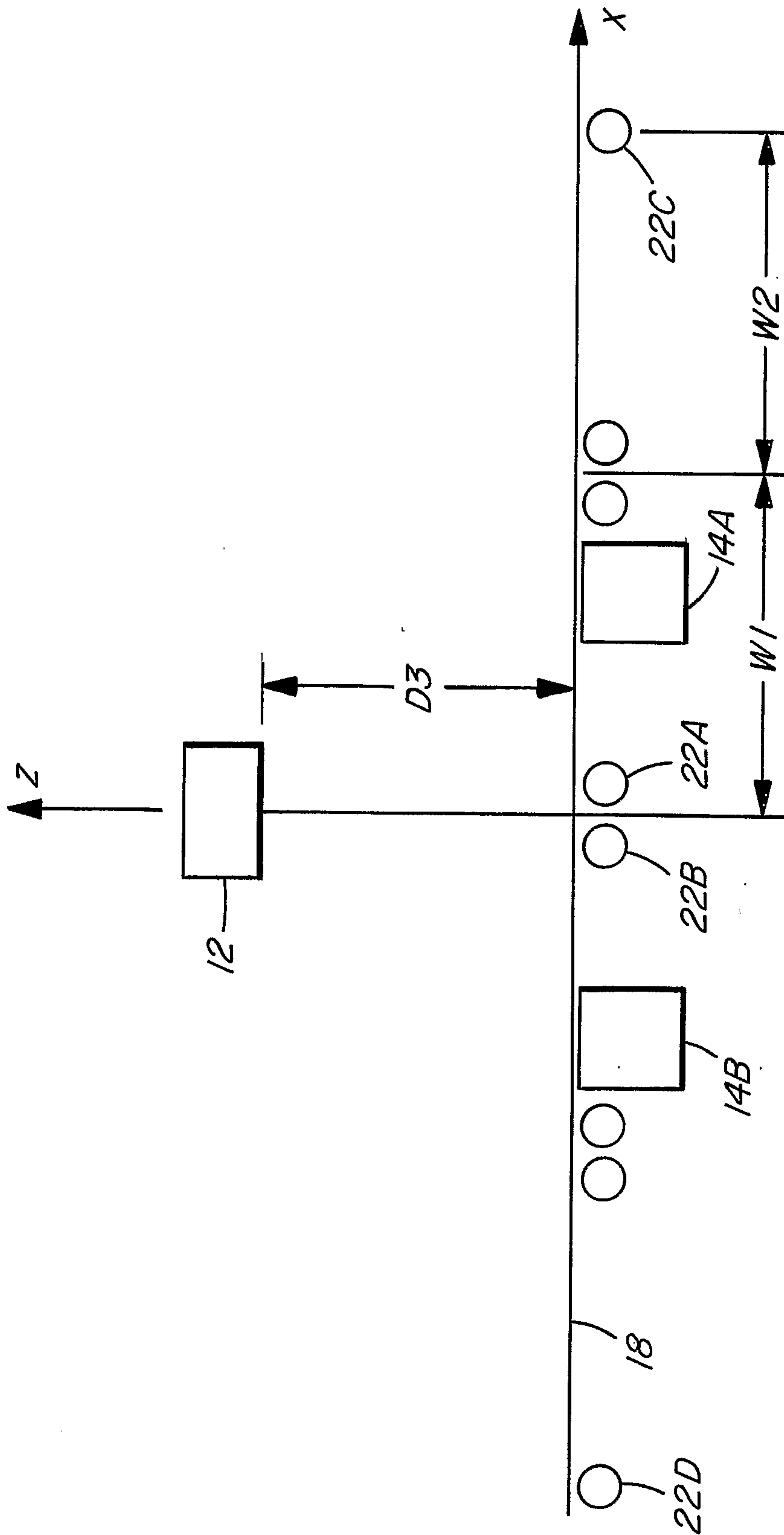


FIG. 7

9/9

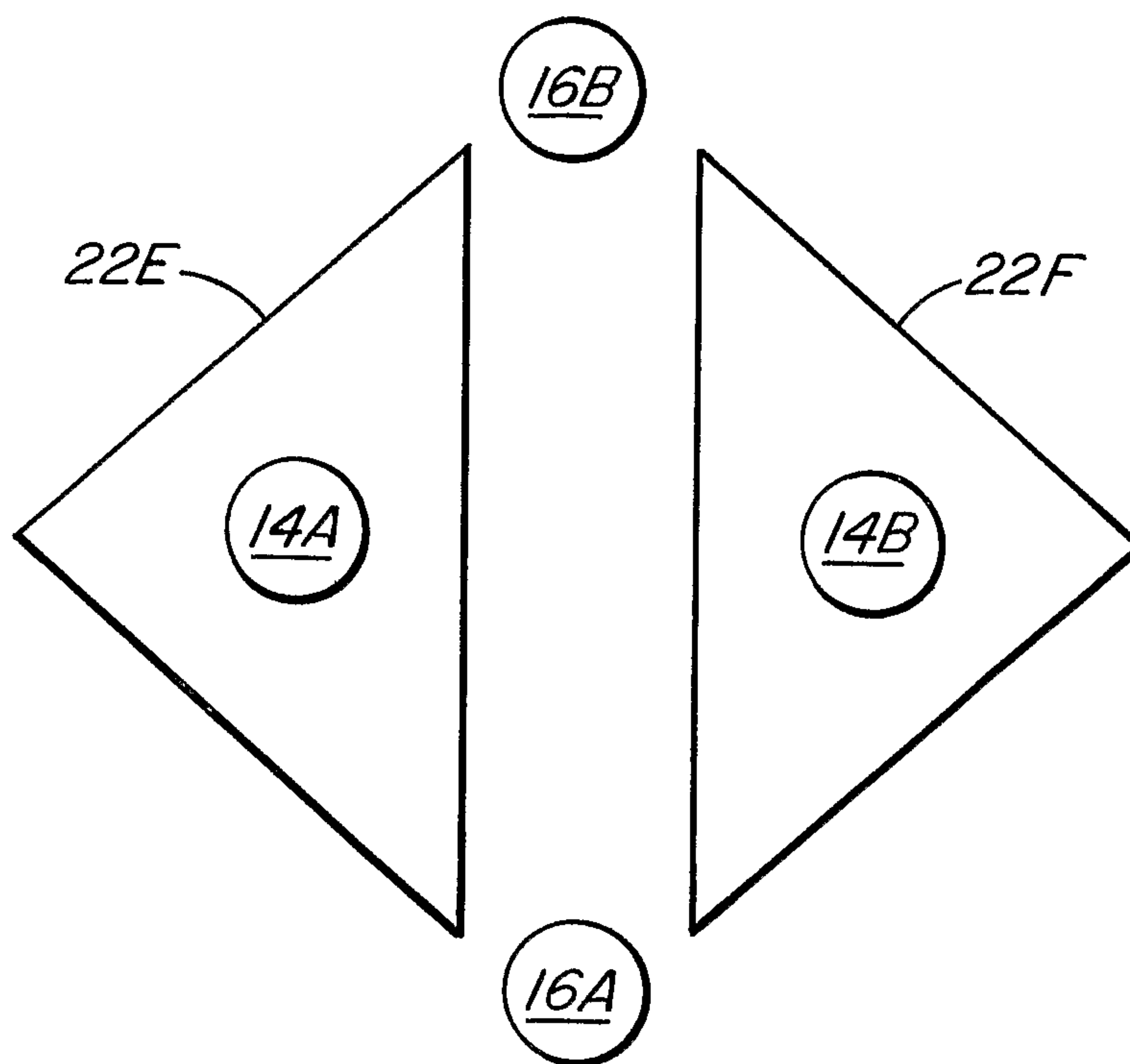


FIG. 8A

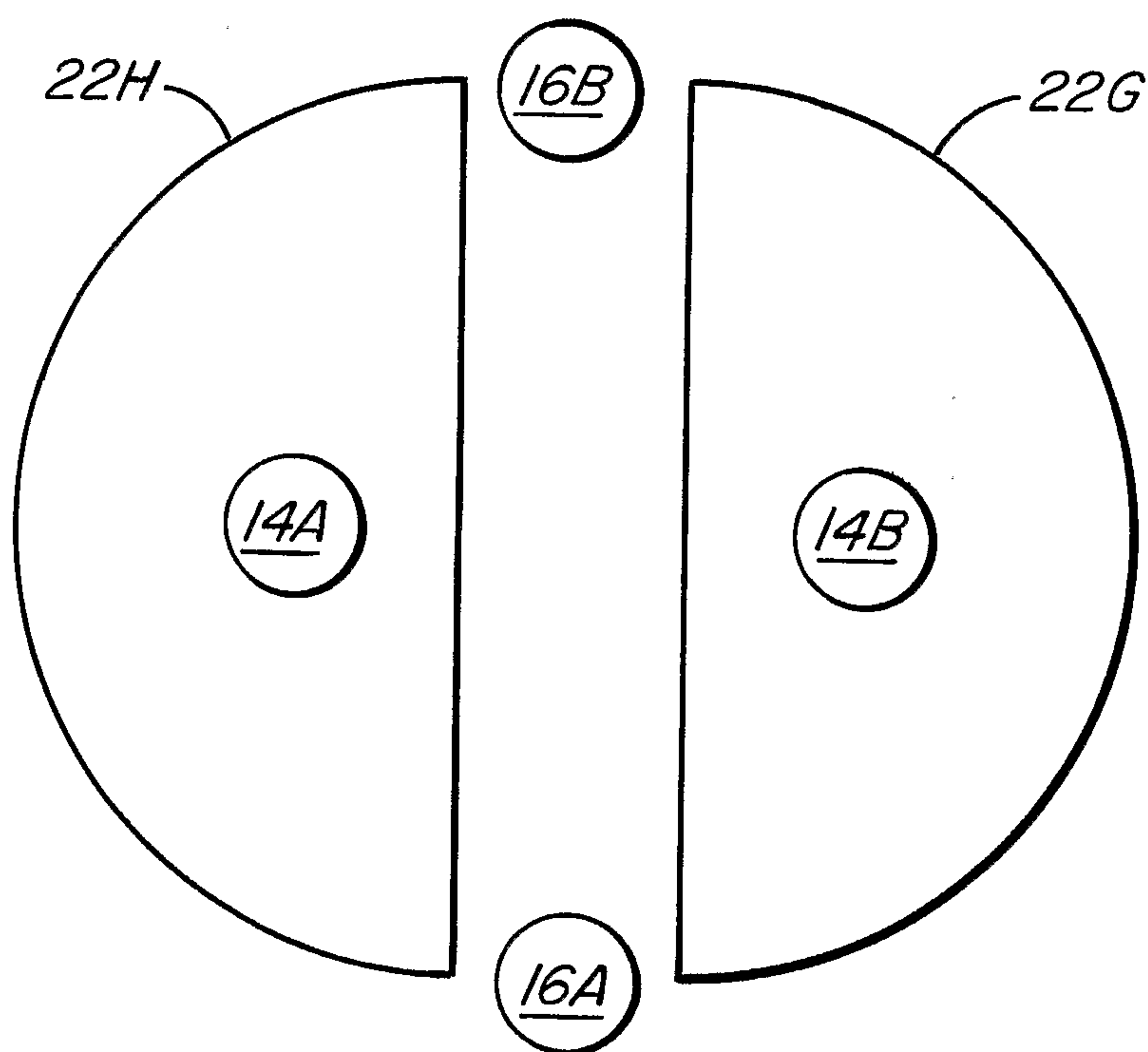


FIG. 8B

