

(19) World Intellectual Property Organization
International Bureau



(43) International Publication Date
11 October 2007 (11.10.2007)

PCT

(10) International Publication Number
WO 2007/114801 A3

(51) International Patent Classification:

F41A 5/00 (2006.01) F41A 19/00 (2006.01)
F41A 3/78 (2006.01) F41A 19/02 (2006.01)

(21) International Application Number:

PCT/US2006/002517

(22) International Filing Date: 25 January 2006 (25.01.2006)

(25) Filing Language:

English

(26) Publication Language:

English

(30) Priority Data:

60/646,875 25 January 2005 (25.01.2005) US

(71) Applicant (for all designated States except US):

COLT DEFENSE LLC [US/US]; 545 New Park Avenue, Hartford, CT 06110 (US).

(72) Inventors: **KUCZYNSKI, Grzegorz**;

85 Burlington Road, Unionville, CT 06085-1376 (US). **DORSEY, Josh**;
13 Bears Den Way, Columbia, CT 06237 (US).

(74) Agents: **GREEN, Clarence, A.** et al.; Perman & Green,

LLP, 425 Post Road, Fairfield, CT 06824 (US).

(81) Designated States (unless otherwise indicated, for every

kind of national protection available): AE, AG, AL, AM, AT, AU, AZ, BA, BB, BG, BR, BW, BY, BZ, CA, CH, CN, CO, CR, CU, CZ, DE, DK, DM, DZ, EC, EE, EG, ES, FI, GB, GD, GE, GH, GM, HR, HU, ID, IL, IN, IS, JP, KE, KG, KM, KN, KP, KR, KZ, LC, LK, LR, LS, LT, LU, LV, LY, MA, MD, MG, MK, MN, MW, MX, MZ, NA, NG, NI, NO, NZ, OM, PG, PH, PL, PT, RO, RU, SC, SD, SE, SG, SK, SL, SM, SY, TJ, TM, TN, TR, TT, TZ, UA, UG, US, UZ, VC, VN, YU, ZA, ZM, ZW.

(84) Designated States (unless otherwise indicated, for every

kind of regional protection available): ARIPO (BW, GH, GM, KE, LS, MW, MZ, NA, SD, SL, SZ, TZ, UG, ZM, ZW), Eurasian (AM, AZ, BY, KG, KZ, MD, RU, TJ, TM), European (AT, BE, BG, CH, CY, CZ, DE, DK, EE, ES, FI, FR, GB, GR, HU, IE, IS, IT, LT, LU, LV, MC, NL, PL, PT, RO, SE, SI, SK, TR), OAPI (BF, BJ, CF, CG, CI, CM, GA, GN, GQ, GW, ML, MR, NE, SN, TD, TG).

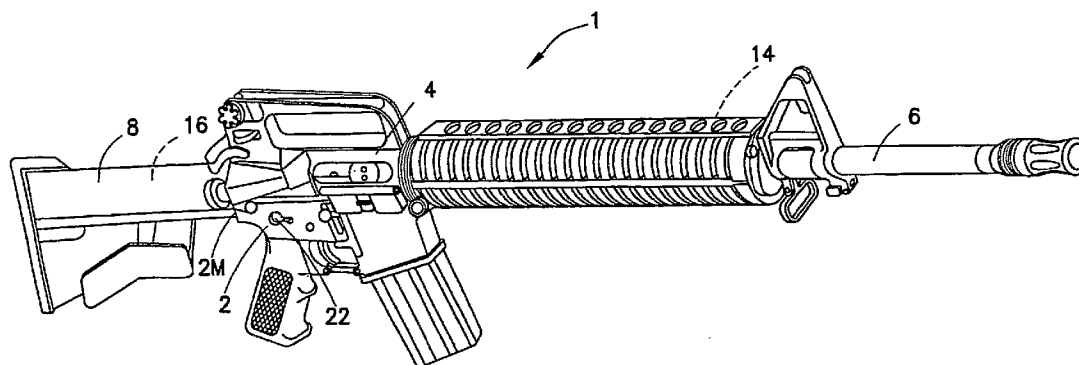
Published:

- with international search report
- before the expiration of the time limit for amending the claims and to be republished in the event of receipt of amendments

(88) Date of publication of the international search report:

15 May 2008

(54) Title: FIREARM WITH REAR REGULATOR



(57) Abstract: An M-4 type firearm is provided. The M-4 type firearm having a receiver with a bolt carrier movably located therein. A receiver extension is connected to the receiver with the receiver extension including a spring loaded bolt carrier buffer movable relative to the receiver for effecting return of the bolt carrier to a firing position of the bolt carrier. A regulator is provided on the receiver extension, for enabling movement of the bolt carrier buffer relative to the receiver and effecting automatic or semi-automatic fire when the receiver extension is at least partially filled with water.



WO 2007/114801 A3

INTERNATIONAL SEARCH REPORT

International application No. PCT/US06/02517

A. CLASSIFICATION OF SUBJECT MATTER
 IPC: F41A 5/00(2006.01),3/78(2006.01),19/00(2006.01),19/02(2006.01)

 USPC: 89/129.01,130,193,198
 According to International Patent Classification (IPC) or to both national classification and IPC

B. FIELDS SEARCHED
 Minimum documentation searched (classification system followed by classification symbols)
 U.S. : 89/129.01,130,193,198

 Documentation searched other than minimum documentation to the extent that such documents are included in the fields searched

 Electronic data base consulted during the international search (name of data base and, where practicable, search terms used)
 search terms: regulator, buffer, water, drain, M-16, M-4

C. DOCUMENTS CONSIDERED TO BE RELEVANT

Category *	Citation of document, with indication, where appropriate, of the relevant passages	Relevant to claim No.
A	US 5,272,956 A (HUDSON) 28 December 1993 (28.12.1993)	
A	US 6,848,351 B1 (DAVIES) 01 February 2005 (01.02.2005)	
A	US 6,829,974 B1 (GWINN, Jr.) 14 December 2004 (14.12.2004)	
A	US 5,909,002 A (ATCHISSON) 01 June 1999 (01.06.1999)	
E	US 7,131,367 B1 (BOERSCHIG et al) 07 November 2006 (07.11.2006)	

Further documents are listed in the continuation of Box C. See patent family annex.

<p>* Special categories of cited documents:</p> <p>"A" document defining the general state of the art which is not considered to be of particular relevance</p> <p>"E" earlier application or patent published on or after the international filing date</p> <p>"L" document which may throw doubts on priority claim(s) or which is cited to establish the publication date of another citation or other special reason (as specified)</p> <p>"O" document referring to an oral disclosure, use, exhibition or other means</p> <p>"P" document published prior to the international filing date but later than the priority date claimed</p>	<p>"T" later document published after the international filing date or priority date and not in conflict with the application but cited to understand the principle or theory underlying the invention</p> <p>"X" document of particular relevance; the claimed invention cannot be considered novel or cannot be considered to involve an inventive step when the document is taken alone</p> <p>"Y" document of particular relevance; the claimed invention cannot be considered to involve an inventive step when the document is combined with one or more other such documents, such combination being obvious to a person skilled in the art</p> <p>"&" document member of the same patent family</p>
---	---

Date of the actual completion of the international search 23 November 2007 (23.11.2007)	Date of mailing of the international search report <div style="text-align: center; font-size: 1.2em; font-weight: bold;">06 MAR 2008</div>
Name and mailing address of the ISA/US Mail Stop PCT, Attn: ISA/US Commissioner for Patents P.O. Box 1450 Alexandria, Virginia 22313-1450 Facsimile No. (571) 273-3201	Authorized officer Michael Carone Telephone No. 571-272-3600