



US00D926840S

(12) **United States Design Patent**
Zhang

(10) **Patent No.:** **US D926,840 S**

(45) **Date of Patent:** **** Aug. 3, 2021**

- (54) **CONCRETE MOLD**
- (71) Applicant: **Guangzhou Daqian Zhuoer Network Technology Co., Ltd., Guangdong (CN)**
- (72) Inventor: **Yuchang Zhang, Guangdong (CN)**
- (73) Assignee: **Guangzhou Daqian Zhuoer Network Technology Co., Ltd., Guangdong (CN)**
- (**) Term: **15 Years**
- (21) Appl. No.: **29/756,902**
- (22) Filed: **Oct. 30, 2020**
- (51) **LOC (13) Cl.** **15-03**
- (52) **U.S. Cl.**
USPC **D15/136**
- (58) **Field of Classification Search**
USPC D15/135, 136
CPC E01C 19/22; E01C 19/43
See application file for complete search history.

5,487,526	A *	1/1996	Hupp	B28B 7/24
					249/129
D377,181	S *	1/1997	Hupp	D15/136
D378,822	S *	4/1997	Hupp	D15/136
D379,359	S *	5/1997	Hupp	D15/136
D380,763	S *	7/1997	Hupp	D15/136
5,733,470	A *	3/1998	Roth	E01C 9/001
					249/129
D475,375	S *	6/2003	Curry	D15/136
D602,604	S *	10/2009	Harris	D25/113
D657,405	S	4/2012	Kinzalow		
D700,803	S *	3/2014	Hamlin	D7/409
D834,624	S *	11/2018	Ishizaki	D15/136
D907,669	S *	1/2021	Chen	D15/136
2018/0117792	A1*	5/2018	Walter	B28B 7/0064

* cited by examiner

Primary Examiner — Charles D Hanson
(74) *Attorney, Agent, or Firm* — ScienBiziP, P.C.

(57) **CLAIM**

The ornamental design for a concrete mold, as shown and described.

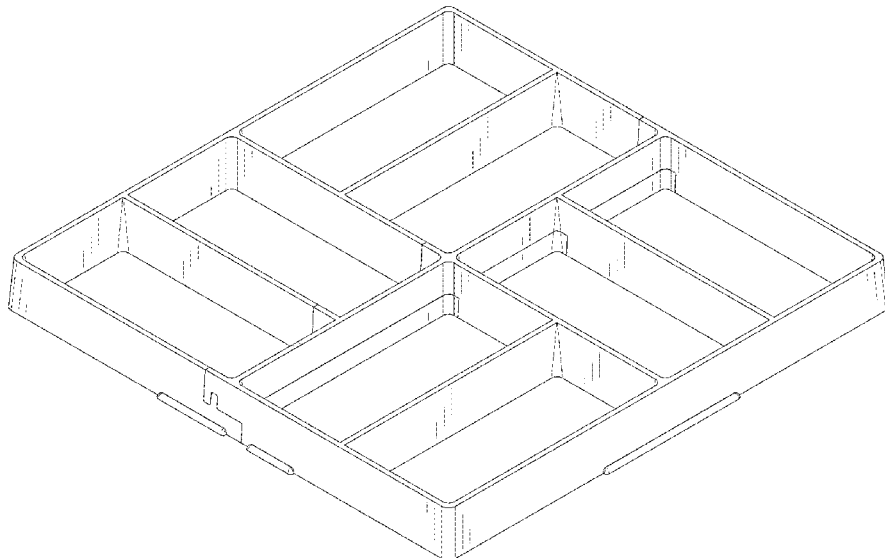
DESCRIPTION

FIG. 1 is a top perspective view of a concrete mold, showing my design.
 FIG. 2 is a bottom perspective view thereof.
 FIG. 3 is a front elevation view thereof.
 FIG. 4 is a rear elevation view thereof.
 FIG. 5 is a left side elevation thereof.
 FIG. 6 is a right side elevation thereof.
 FIG. 7 is a top plan view thereof.
 FIG. 8 is a bottom plan view thereof.
 FIG. 9 is an exploded view thereof; and,
 FIG. 10 is an enlarged view of an area labeled 10 in FIG. 9.
 The broken lines in the drawings depict environmental structure and boundaries and form no part of the claimed design.

1 Claim, 10 Drawing Sheets

(56) **References Cited**
U.S. PATENT DOCUMENTS

D204,803	S *	5/1966	Leeth	D15/136
4,231,677	A *	11/1980	Roming	B44B 11/02
					404/89
D257,825	S *	1/1981	Puccini	D8/45
4,354,773	A *	10/1982	Noack	E01C 5/00
					404/41
4,828,426	A *	5/1989	Hendricks	E01C 19/43
					404/89
4,838,728	A *	6/1989	McKeever	E01C 19/43
					15/105.5
D342,267	S *	12/1993	Scholtz	D15/136
D342,528	S *	12/1993	Hupp	D15/136
D356,803	S *	3/1995	Hupp	D15/136
5,406,763	A *	4/1995	Al-Saleh	E01C 9/001
					52/311.1



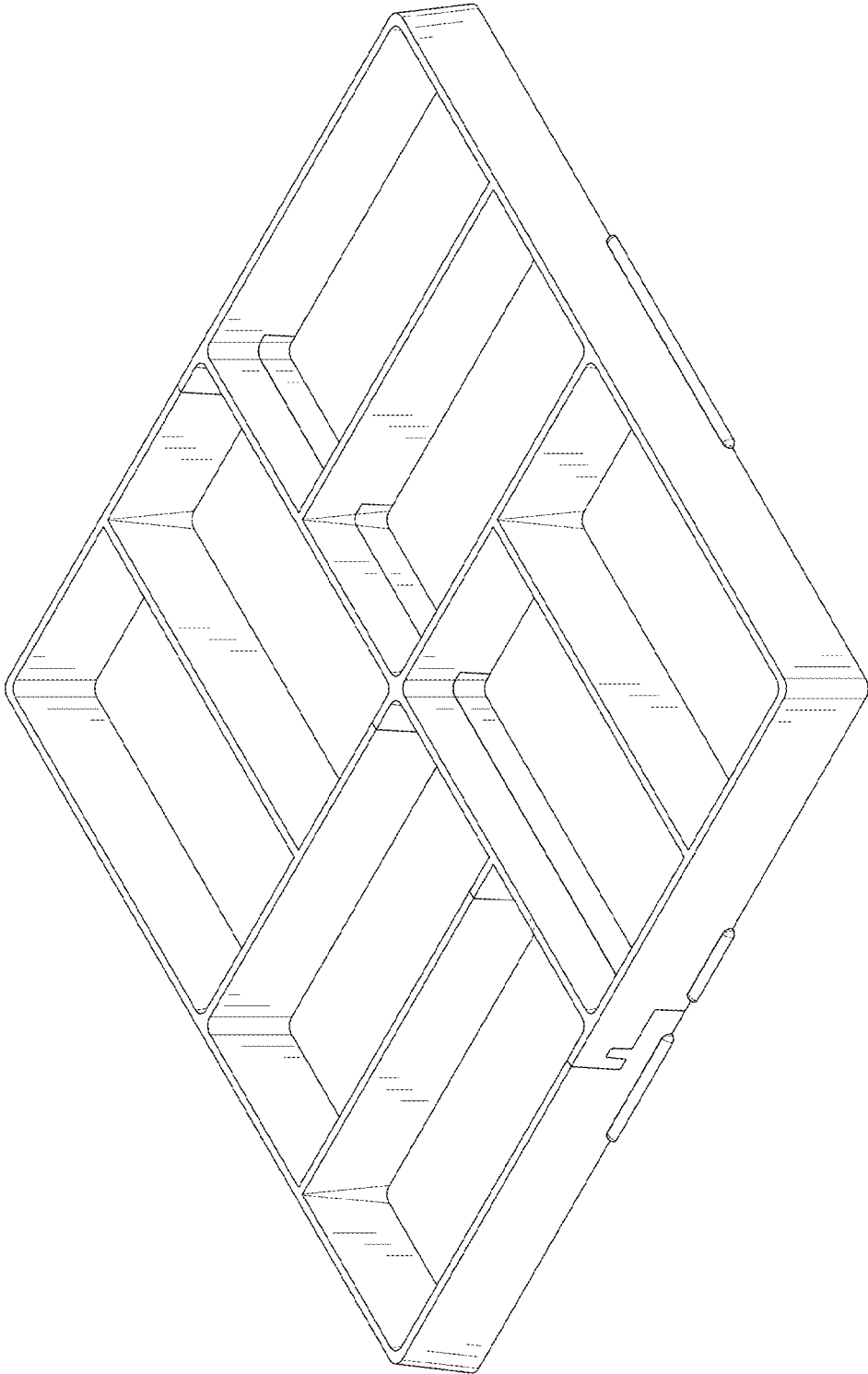


FIG.1

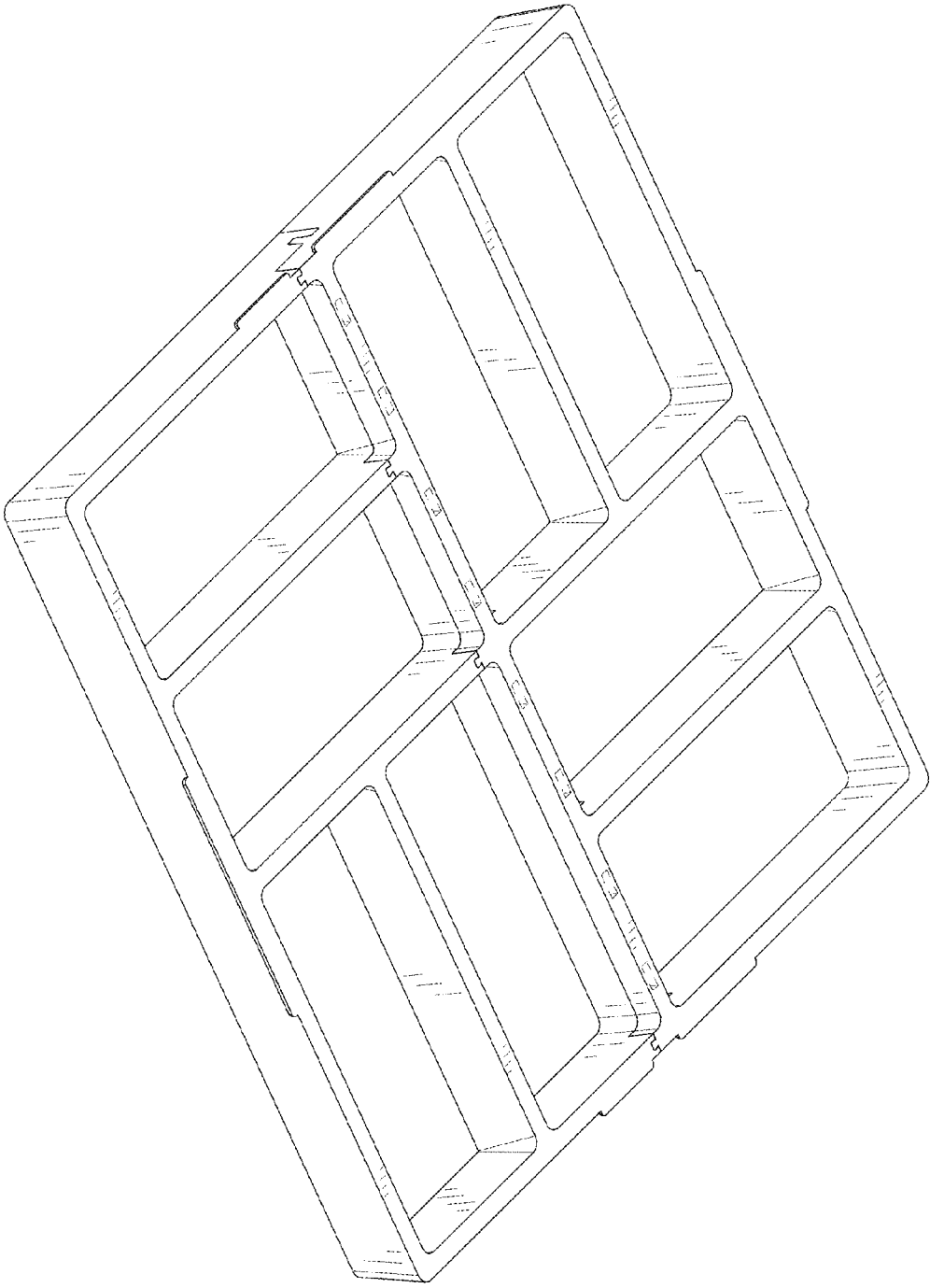


FIG. 2

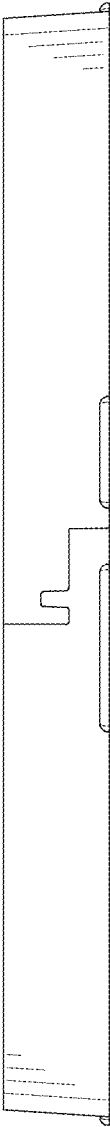


FIG. 3

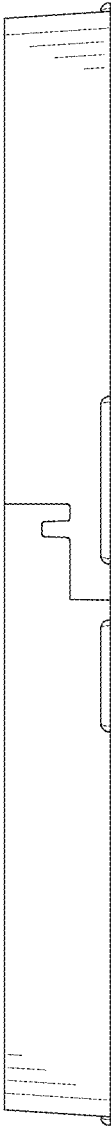


FIG.4



FIG. 5



FIG. 6

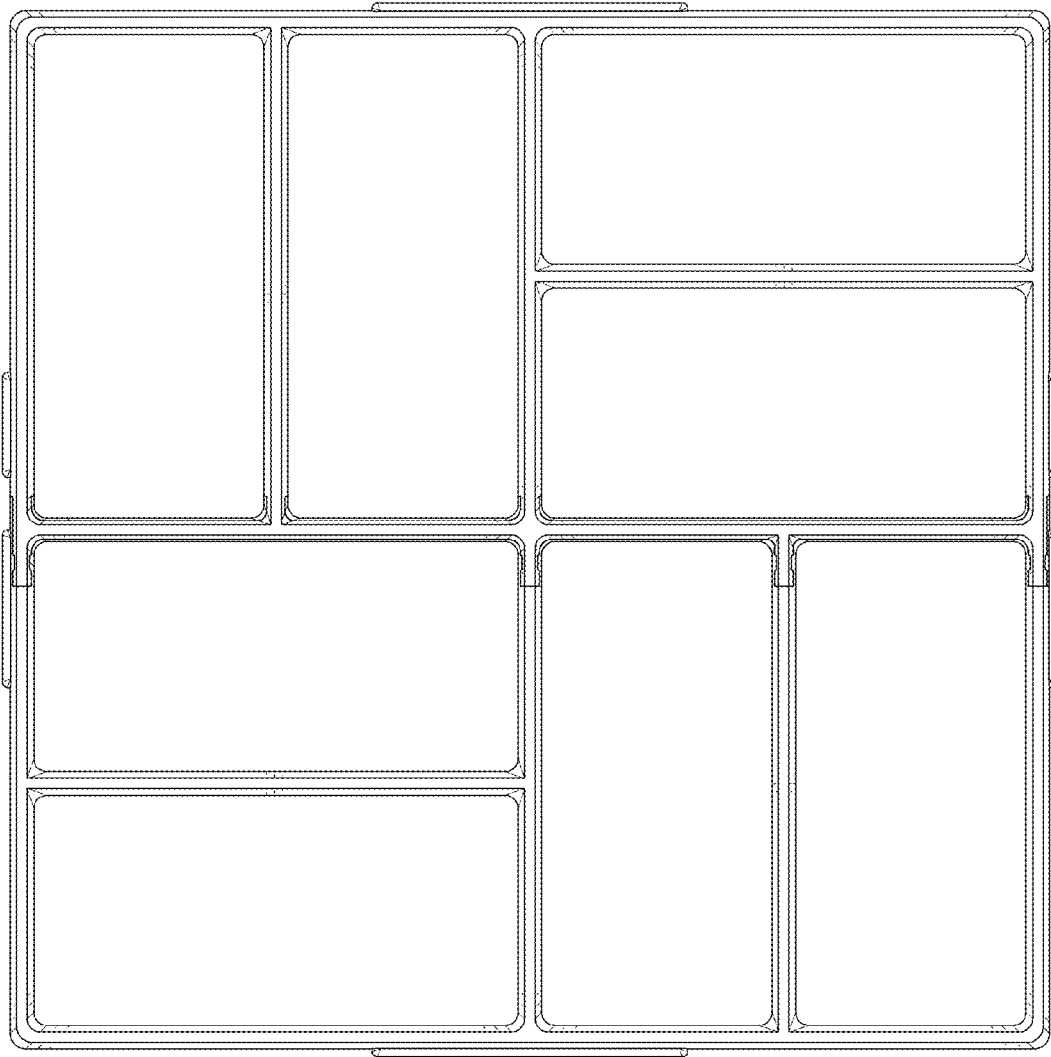


FIG. 7

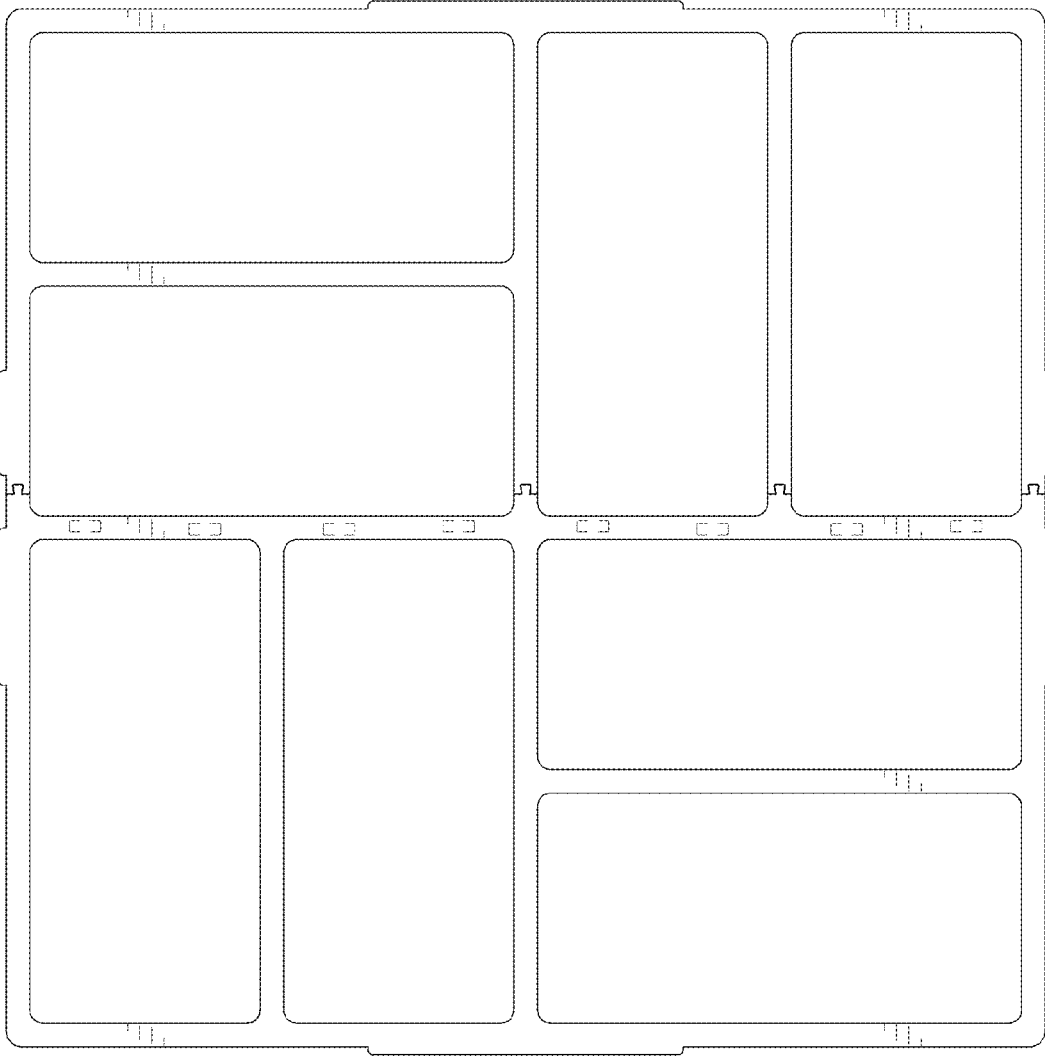


FIG. 8

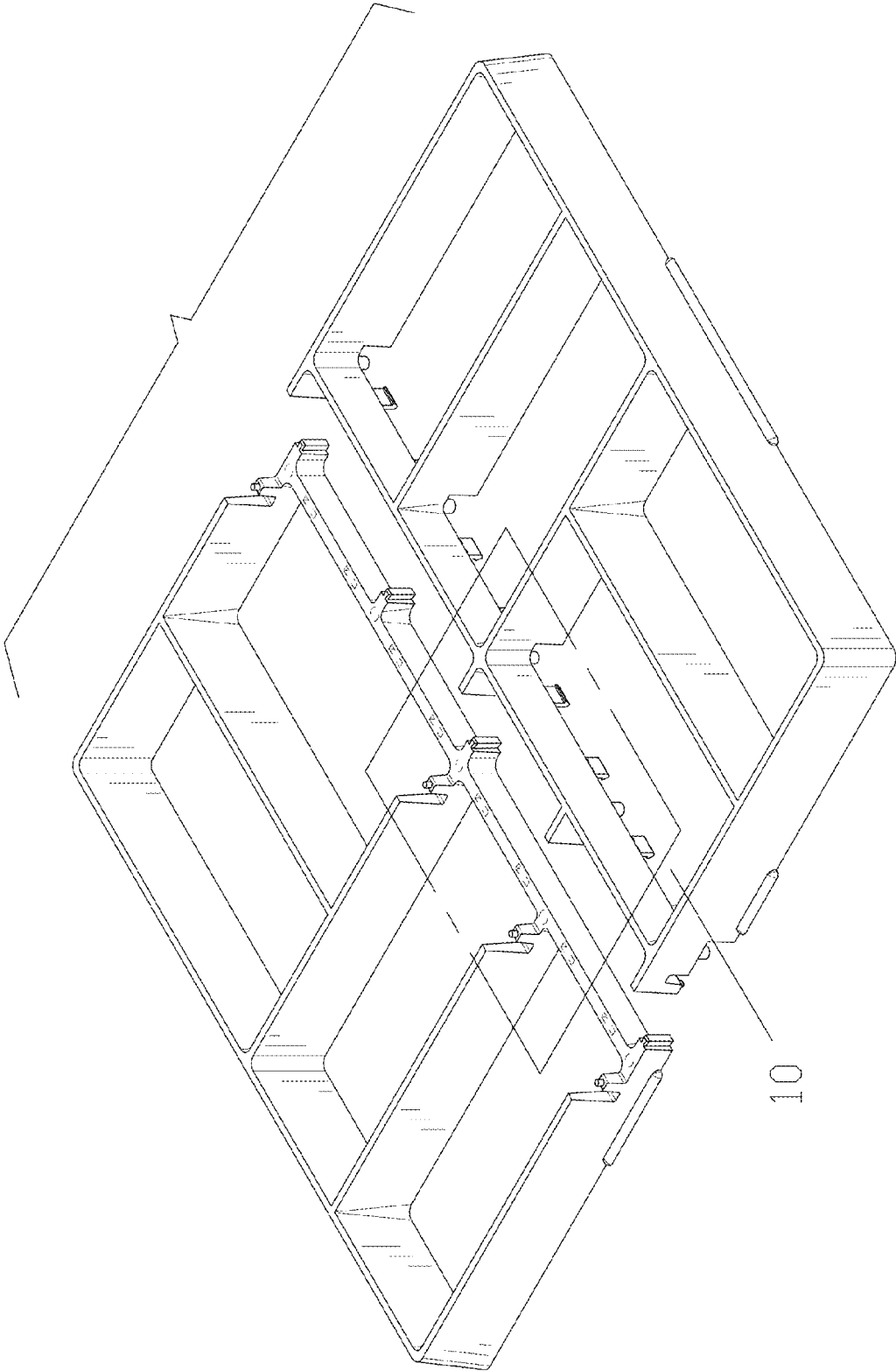


FIG. 9

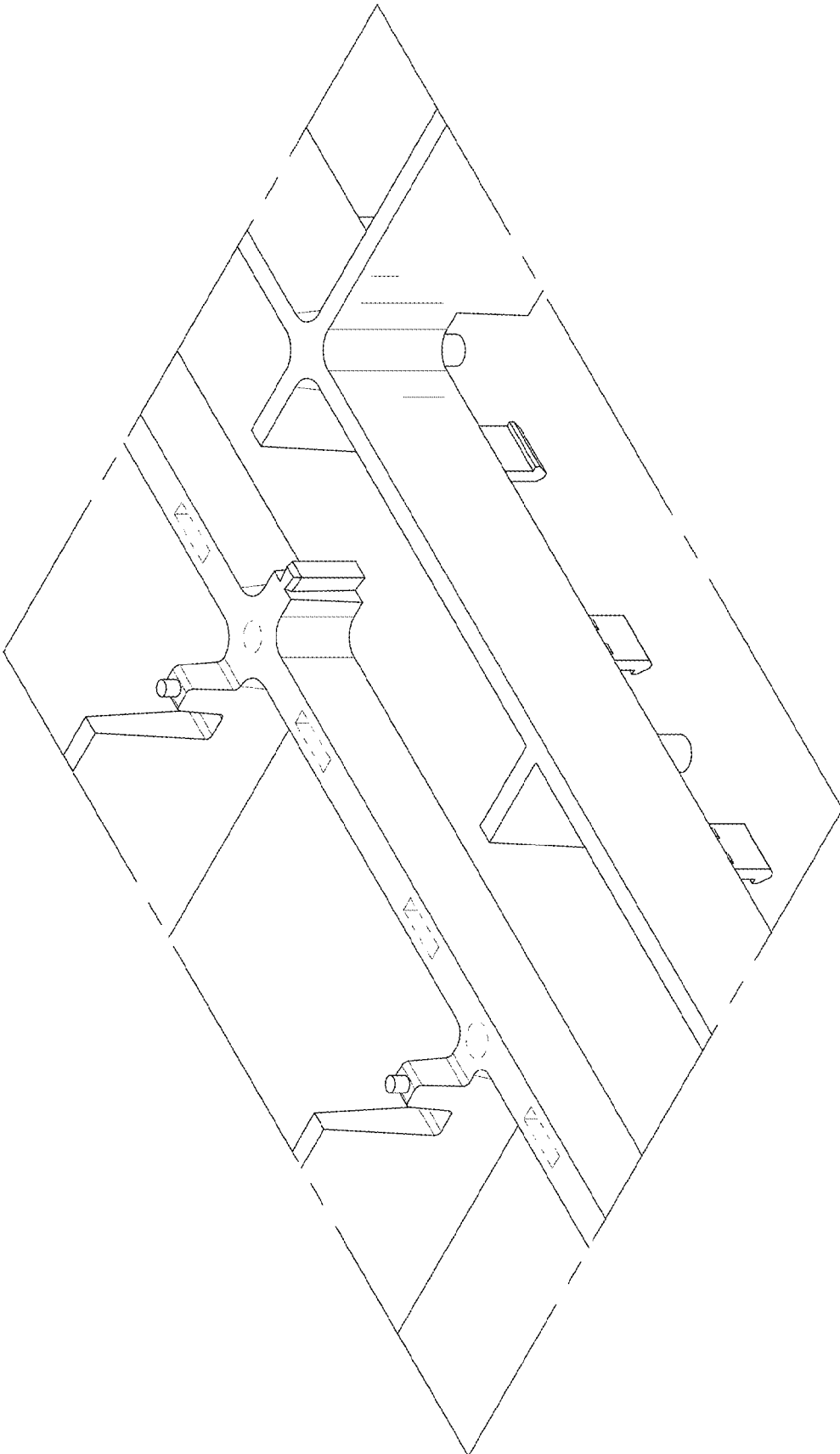


FIG.10