



US00D341647S

United States Patent [19] Bengtson

[11] Patent Number: **Des. 341,647**
[45] Date of Patent: **** Nov. 23, 1993**

[54] **SHOWERHEAD**

[75] Inventor: **Alan D. Bengtson, Sheboygan, Wis.**

[73] Assignee: **Kohler Co., Kohler, Wis.**

[**] Term: **14 Years**

[21] Appl. No.: **826,272**

[22] Filed: **Jan. 22, 1992**

Related U.S. Application Data

[63] Continuation-in-part of Ser. No. 743,551, Aug. 9, 1991, abandoned.

[52] U.S. Cl. **D23/213**

[58] Field of Search **D23/213, 223-229; 4/567-570, 599-603, 615, 675-678; 239/280-281, 282-283, 288.5, 310, 381, 383, 443-449, 456-460, 525, 550-552, 556-559, 562-565, 567, 581.1, 586-588**

[56] **References Cited**

U.S. PATENT DOCUMENTS

D. 208,526	9/1967	Delamater	D23/213
D. 295,889	5/1988	Haug et al.	D23/229
D. 296,002	5/1988	Haug et al.	D23/229
D. 313,833	1/1991	Presman	D23/313
D. 314,608	2/1991	Presman	D23/213
D. 315,191	3/1991	Mikol	D23/213
D. 315,393	3/1991	Presman	D23/213
D. 323,545	1/1992	Ward	D23/213
4,117,979	10/1978	Lagarelli et al.	239/381
4,346,844	8/1982	Harmony	239/383
4,588,130	5/1986	Trenary et al.	238/381

OTHER PUBLICATIONS

Catalog showing a showerhead.
Pp. from a catalog published by Kohler Co. in 1989 showing several different styles of showerheads.
P. from a Kohler catalog showing several different styles of showerheads.

Primary Examiner—Wallace R. Burke
Assistant Examiner—M. H. Tung
Attorney, Agent, or Firm—Quarles & Brady

[57] **CLAIM**

The ornamental design for a showerhead, as shown and described.

DESCRIPTION

FIG. 1 is a perspective view taken from the bottom, rear and left side of a showerhead showing our new design;

FIG. 2 is a left side elevation view thereof, the right side elevation view being a mirror image of the left side shown;

FIG. 3 is a front elevation view thereof;

FIG. 4 is a rear elevation view thereof;

FIG. 5 is a left side elevation view of a second embodiment of the present invention, the right side elevation view being a mirror image of the left side shown, and the rear elevation being shown in FIG. 4;

FIG. 6 is a front elevation view of the showerhead shown in FIG. 5;

FIG. 7 is a left side elevation view of a third embodiment of the present invention, the right side elevation view being a mirror image of the left side shown, and the rear elevation being shown in FIG. 4; and,

FIG. 8 is a front elevation view of the showerhead shown in FIG. 7 with a patterned front surface.

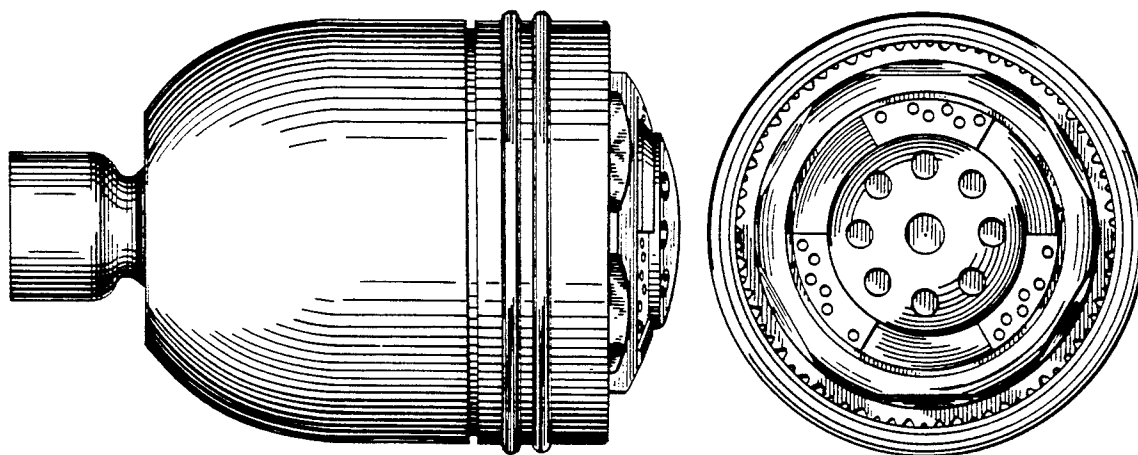


FIG. 1

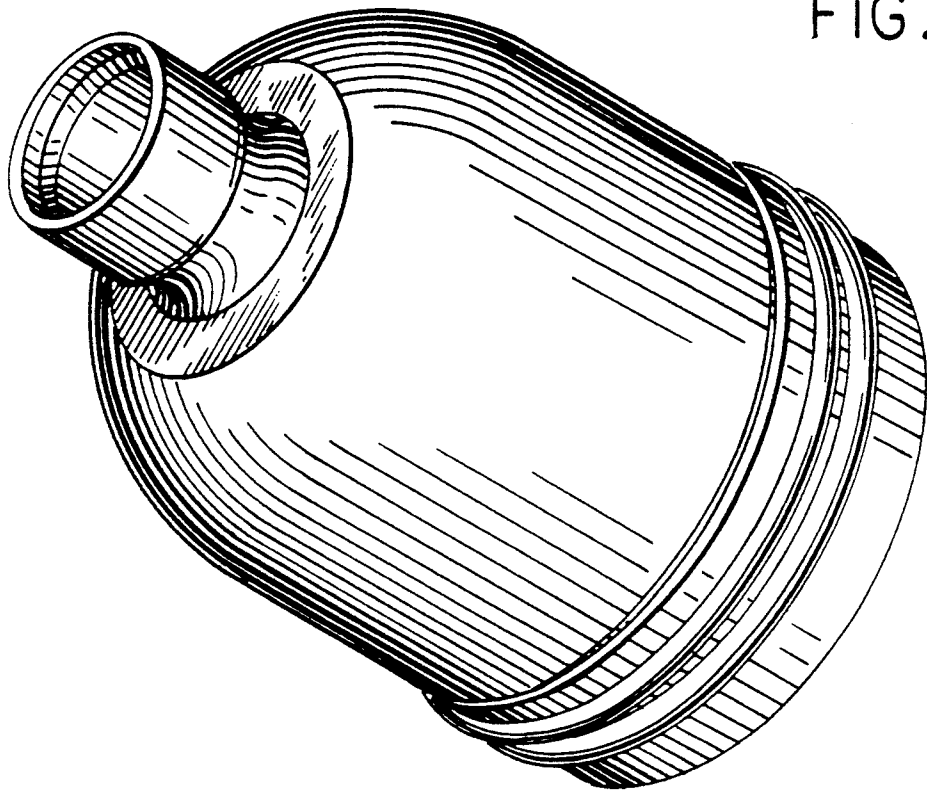
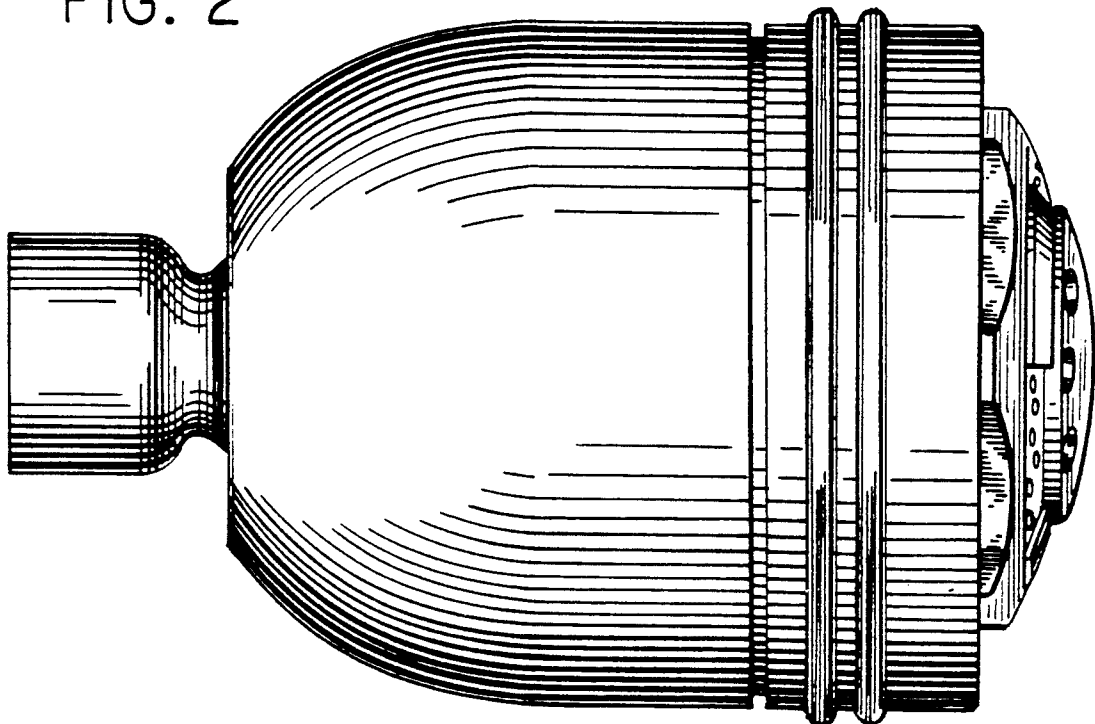


FIG. 2



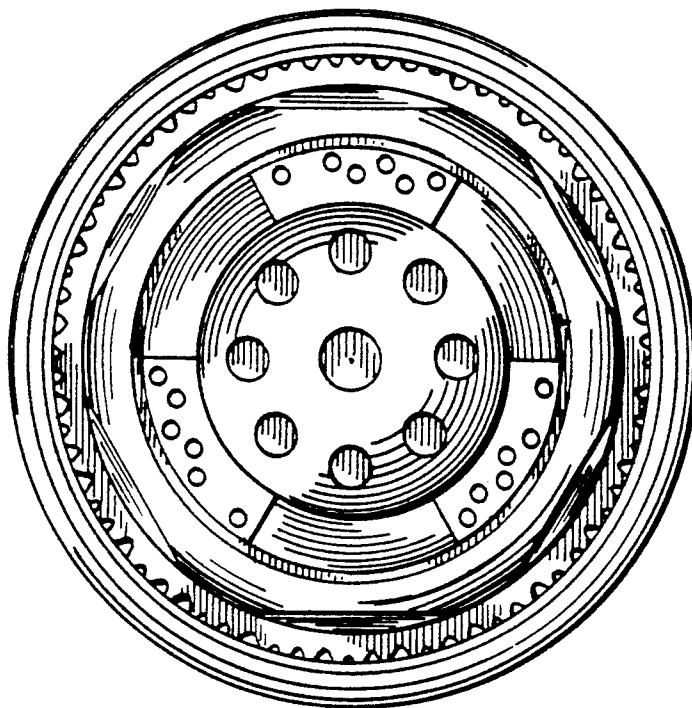


FIG. 3

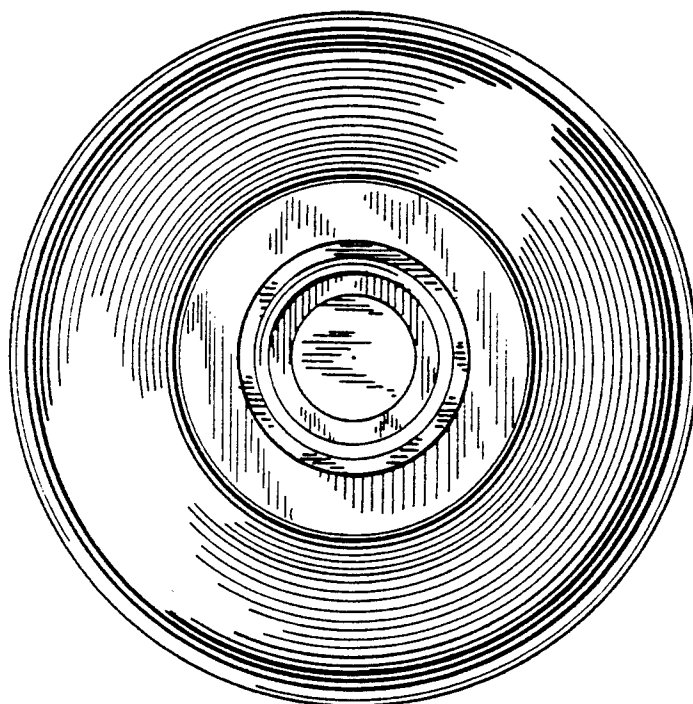


FIG. 4

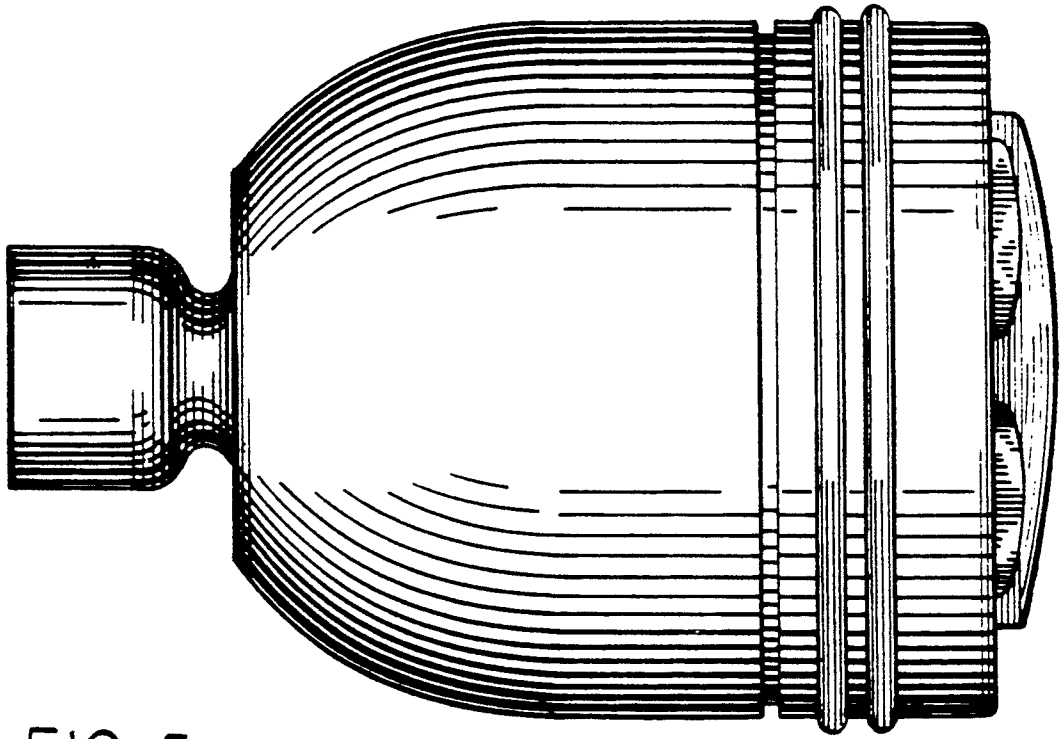


FIG. 5

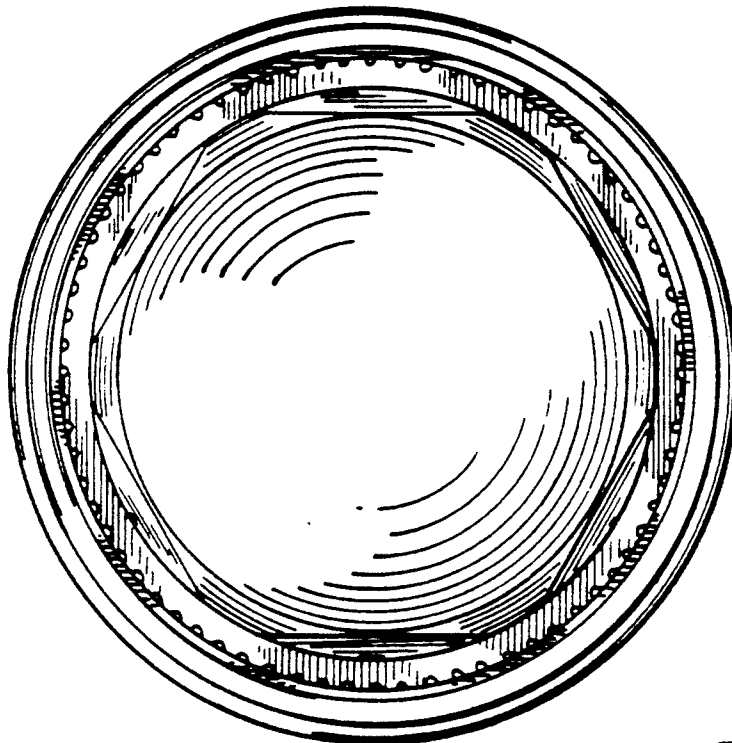


FIG. 6

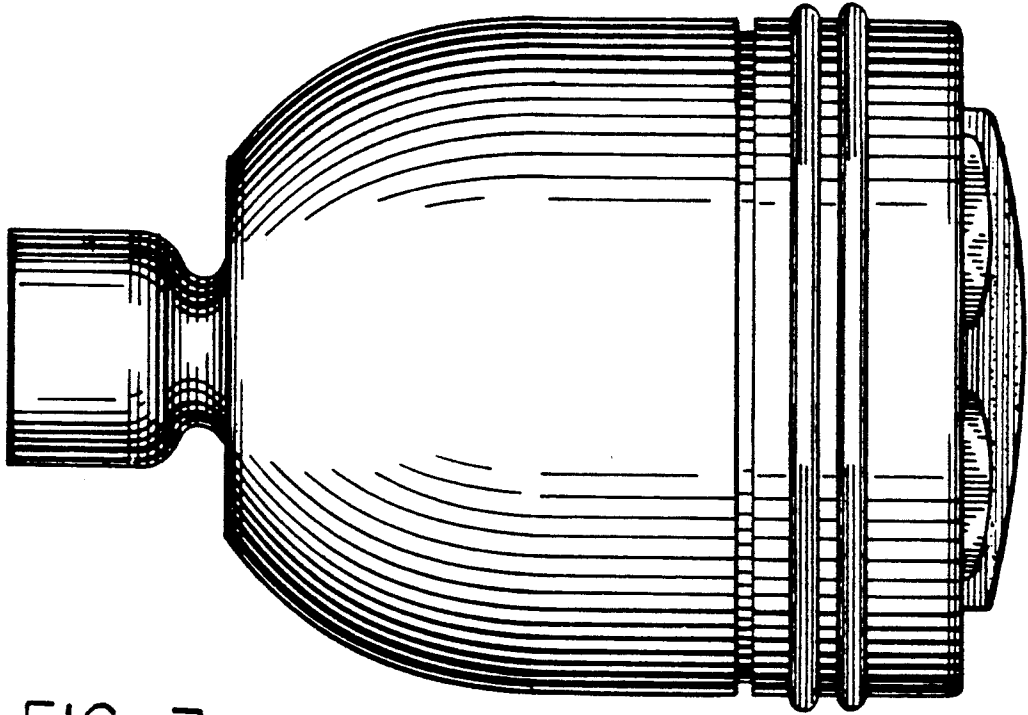


FIG. 7



FIG. 8