

(19) World Intellectual Property Organization  
International Bureau



(43) International Publication Date  
23 February 2006 (23.02.2006)

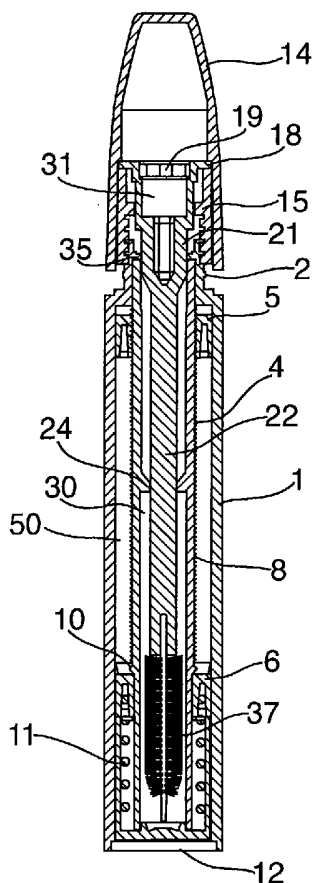
PCT

(10) International Publication Number  
WO 2006/020552 A3

- (51) International Patent Classification<sup>7</sup>: **A46B 11/00**, B43K 5/06, 5/00, B65D 88/54, 83/00, B67D 5/42
- (21) International Application Number: PCT/US2005/028089
- (22) International Filing Date: 5 August 2005 (05.08.2005)
- (25) Filing Language: English
- (26) Publication Language: English
- (30) Priority Data: 60/599,909 9 August 2004 (09.08.2004) US
- (71) Applicant (for all designated States except US): **AVON PRODUCTS, INC.** [US/US]; 1251 Avenue of the Americans, New York, NY 10020-1196 (US).
- (72) Inventors; and
- (75) Inventors/Applicants (for US only): **KUREK, John, S.** [US/US]; 287 Reservoir Road, Goshen, NY 10942 (US). **McNAMARA, William, E.** [US/US]; 65 Grand Avenue, Middletown, NY 10940 (US).
- (74) Agent: **ZELLER, Charles, J., Esq.**; Avon Products, Inc., Avon Place, Suffern, NY 10901 (US).
- (81) Designated States (unless otherwise indicated, for every kind of national protection available): AE, AG, AL, AM, AT, AU, AZ, BA, BB, BG, BR, BW, BY, BZ, CA, CH, CN, CO, CR, CU, CZ, DE, DK, DM, DZ, EC, EE, EG, ES, FI, GB, GD, GE, GH, GM, HR, HU, ID, IL, IN, IS, JP, KE, KG, KM, KP, KR, KZ, LC, LK, LR, LS, LT, LU, LV, MA, MD, MG, MK, MN, MW, MX, MZ, NA, NG, NI, NO, NZ, OM, PG, PH, PL, PT, RO, RU, SC, SD, SE, SG, SK, SL, SM, SY, TJ, TM, TN, TR, TT, TZ, UA, UG, US, UZ, VC, VN, YU, ZA, ZM, ZW.
- (84) Designated States (unless otherwise indicated, for every kind of regional protection available): ARIPO (BW, GH, GM, KE, LS, MW, MZ, NA, SD, SL, SZ, TZ, UG, ZM, ZW), Eurasian (AM, AZ, BY, KG, KZ, MD, RU, TJ, TM), European (AT, BE, BG, CH, CY, CZ, DE, DK, EE, ES, FI, FR, GB, GR, HU, IE, IS, IT, LT, LU, LV, MC, NL, PL, PT, RO, SE, SI, SK, TR), OAPI (BF, BJ, CF, CG, CI, CM, GA, GN, GQ, GW, ML, MR, NE, SN, TD, TG).
- Published:  
— with international search report

[Continued on next page]

(54) Title: DEVICE FOR STORING AND DISPENSING COSMETIC COMPOSITIONS



(57) Abstract: A drive screw having an axial bore is disposed within a tubular container. A cap for closing the container has mounted therefrom an applicator that is insertable in the bore of the drive screw. A first seal and a second seal, on the drive screw, form with the inner wall of the container and the outer wall of the drive screw an annular compartment for housing a cosmetic composition. A normally closed channel is provided between the compartment and the bore of the drive screw. A drive on the cap and a complementary drive on the drive screw cooperate with the first seal and the second seal to decrease the volume of the compartment in which the composition is housed each time the container is opened by removing the cap. A valve opens the channel in response to the decrease in volume in the compartment when the cap is removed so as to permit composition to flow through the channel into the bore of the drive screw to contact the applicator.

WO 2006/020552 A3



---

**(88) Date of publication of the international search report:**

18 May 2006

*For two-letter codes and other abbreviations, refer to the "Guidance Notes on Codes and Abbreviations" appearing at the beginning of each regular issue of the PCT Gazette.*

# INTERNATIONAL SEARCH REPORT

International application No.

PCT/US05/28089

**A. CLASSIFICATION OF SUBJECT MATTER**  
 IPC(7) : A46B 11/00; B43K 5/06, 5/00; B65D 88/54, 83/00; B67D 5/42  
 US CL : 401/123, 124, 172-175, 202; 222/335, 386, 387, 390, 395  
 According to International Patent Classification (IPC) or to both national classification and IPC

**B. FIELDS SEARCHED**  
 Minimum documentation searched (classification system followed by classification symbols)  
 U.S. : 401/123, 124, 172-175, 202; 222/335, 386, 387, 390, 395

Documentation searched other than minimum documentation to the extent that such documents are included in the fields searched  
 none

Electronic data base consulted during the international search (name of data base and, where practicable, search terms used)  
 none

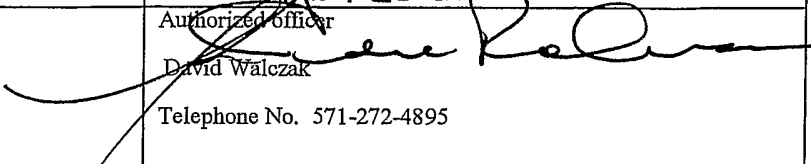
**C. DOCUMENTS CONSIDERED TO BE RELEVANT**

Category *	Citation of document, with indication, where appropriate, of the relevant passages	Relevant to claim No.
X	US 5,678,941 A (NAKAJIMA) 21 October 197 (21.10.1997), see entire document.	29
X	US 3,400,997 A (SCHWARTZMAN) 10 September 1965 (10.09.1965), se entire document.	29
A	US 6,503,013 A (STRAUSS) 07 January 2003 (07.01.2003), see entire document.	1-28

Further documents are listed in the continuation of Box C.       See patent family annex.

<p>* Special categories of cited documents:</p> <p>"A" document defining the general state of the art which is not considered to be of particular relevance</p> <p>"E" earlier application or patent published on or after the international filing date</p> <p>"L" document which may throw doubts on priority claim(s) or which is cited to establish the publication date of another citation or other special reason (as specified)</p> <p>"O" document referring to an oral disclosure, use, exhibition or other means</p> <p>"P" document published prior to the international filing date but later than the priority date claimed</p>	<p>"T" later document published after the international filing date or priority date and not in conflict with the application but cited to understand the principle or theory underlying the invention</p> <p>"X" document of particular relevance; the claimed invention cannot be considered novel or cannot be considered to involve an inventive step when the document is taken alone</p> <p>"Y" document of particular relevance; the claimed invention cannot be considered to involve an inventive step when the document is combined with one or more other such documents, such combination being obvious to a person skilled in the art</p> <p>"&amp;" document member of the same patent family</p>
-----------------------------------------------------------------------------------------------------------------------------------------------------------------------------------------------------------------------------------------------------------------------------------------------------------------------------------------------------------------------------------------------------------------------------------------------------------------------------------------------------------------------------------------------------------------------------------------------------------------------------------------------	-----------------------------------------------------------------------------------------------------------------------------------------------------------------------------------------------------------------------------------------------------------------------------------------------------------------------------------------------------------------------------------------------------------------------------------------------------------------------------------------------------------------------------------------------------------------------------------------------------------------------------------------------------------------------------------------------------------------

Date of the actual completion of the international search 20 December 2005 (20.12.2005)	Date of mailing of the international search report <b>02 FEB 2006</b>
--------------------------------------------------------------------------------------------	--------------------------------------------------------------------------

Name and mailing address of the ISA/US Mail Stop PCT, Attn: ISA/US Commissioner for Patents P.O. Box 1450 Alexandria, Virginia 22313-1450 Facsimile No. (571) 273-3201	Authorized officer  David Walczak Telephone No. 571-272-4895
---------------------------------------------------------------------------------------------------------------------------------------------------------------------------------------	-----------------------------------------------------------------------------------------------------------------------------------------------------------