

(19) World Intellectual Property Organization  
International Bureau



(43) International Publication Date  
31 May 2007 (31.05.2007)

PCT

(10) International Publication Number  
**WO 2007/061506 A3**

(51) International Patent Classification:  
A01K 15/02 (2006.01)

(21) International Application Number:  
PCT/US2006/038046

(22) International Filing Date:  
28 September 2006 (28.09.2006)

(25) Filing Language: English

(26) Publication Language: English

(30) Priority Data:  
11/284,278 21 November 2005 (21.11.2005) US

(71) Applicant (for all designated States except US): **RADIO SYSTEMS CORPORATION** [US/US]; 10427 Electric Avenue, Knoxville, Tennessee 37932 (US).

(72) Inventors; and

(75) Inventors/Applicants (for US only): **MAININI, Christopher E.** [US/US]; 609 Tree Ridge Road, Knoxville, Tennessee 37922 (US). **LAWRENCE, Steven L.** [US/US]; 104 Tamassee Drive, Johnson City, Tennessee 37601-1226 (US). **CARPENTER, Terry G.** [US/US]; 628 Augusta National Way, Knoxville, Tennessee 37934 (US).

(74) Agents: **FITCH, Morgan L.** et al.; Pitts & Brittan, P.C., P.O. Box No. 51295, Knoxville, Tennessee 37950-1295 (US).

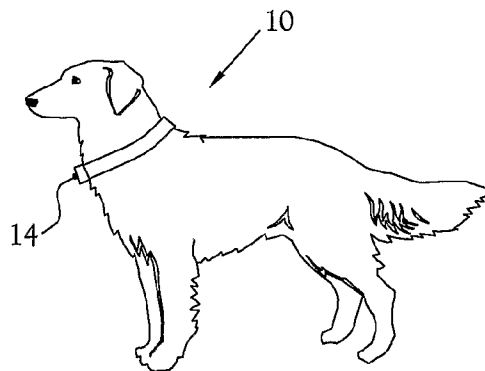
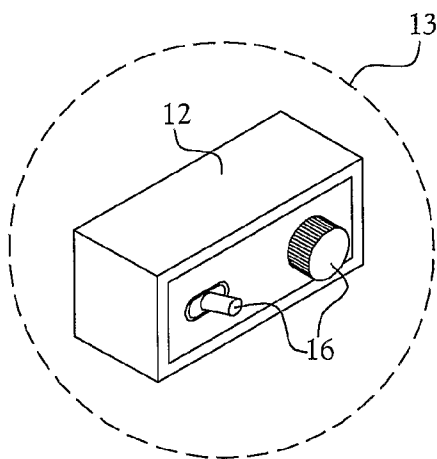
(81) Designated States (unless otherwise indicated, for every kind of national protection available): AE, AG, AL, AM, AT, AU, AZ, BA, BB, BG, BR, BW, BY, BZ, CA, CH, CN, CO, CR, CU, CZ, DE, DK, DM, DZ, EC, EE, EG, ES, FI, GB, GD, GE, GH, GM, HN, HR, HU, ID, IL, IN, IS, JP, KE, KG, KM, KN, KP, KR, KZ, LA, LC, LK, LR, LS, LT, LU, LV, LY, MA, MD, MG, MK, MN, MW, MX, MY, MZ, NA, NG, NI, NO, NZ, OM, PG, PH, PL, PT, RO, RS, RU, SC, SD, SE, SG, SK, SL, SM, SV, SY, TJ, TM, TN, TR, TT, TZ, UA, UG, US, UZ, VC, VN, ZA, ZM, ZW.

(84) Designated States (unless otherwise indicated, for every kind of regional protection available): ARIPO (BW, GH, GM, KE, LS, MW, MZ, NA, SD, SL, SZ, TZ, UG, ZM, ZW), Eurasian (AM, AZ, BY, KG, KZ, MD, RU, TJ, TM), European (AT, BE, BG, CH, CY, CZ, DE, DK, EE, ES, FI, FR, GB, GR, HU, IE, IS, IT, LT, LU, LV, MC, NL, PL, PT, RO, SE, SI, SK, TR), OAPI (BF, BJ, CF, CG, CI, CM, GA, GN, GQ, GW, ML, MR, NE, SN, TD, TG).

Published:  
— with international search report

(88) Date of publication of the international search report:  
30 April 2009

(54) Title: ELECTRICAL PET GATE



(57) Abstract: Described is a pet gate device for generating a non-tangible electrical pet barrier and for generating a non-tangible electrical pet passageway. The pet gate device includes a signal generating device and a receiver. The signal generating device is adapted to generate at least two different signals, namely a barrier signal and a passageway signal. The signal generating device includes a transmitter for transmitting the generated signals. The receiver is adapted to receive the transmitted signals and to recognize whether the barrier signal or the passageway signal is being generated and transmitted. The receiver is adapted to administer a stimulus to the pet when the receiver recognizes the barrier signal. Conversely, the receiver is adapted to not administer a stimulus to the pet when the receiver recognizes a passageway signal.

WO 2007/061506 A3

**INTERNATIONAL SEARCH REPORT**

International application No.

PCT/US06/38046

**A. CLASSIFICATION OF SUBJECT MATTER**  
 IPC: **A01K 15/02**( 2006.01)  
       **A01K 15/02**( 2006.01)  
  
 USPC: 119/721  
 According to International Patent Classification (IPC) or to both national classification and IPC

**B. FIELDS SEARCHED**  
 Minimum documentation searched (classification system followed by classification symbols)  
 U.S. : 119/721,719,720

Documentation searched other than minimum documentation to the extent that such documents are included in the fields searched

Electronic data base consulted during the international search (name of data base and, where practicable, search terms used)  
 Please See Continuation Sheet

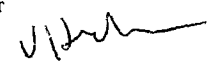
**C. DOCUMENTS CONSIDERED TO BE RELEVANT**

Category *	Citation of document, with indication, where appropriate, of the relevant passages	Relevant to claim No.
X --- Y	US 6166643 A (JANNING ET AL.) 26 DECEMBER 2000 (26.12.2000), WHOLE DOCUMENT.	1-4,6,10-14,16-18 ----- 7,8
Y	US 2002/0046713A1 (OTTO) 25 APRIL 2002 (25.04.2002) WHOLE DOCUMENT.	5
Y	US 6163261A (WESTRICK) 19 DECEMBER 2000 (19.12.2000), WHOLE DOCUMENT.	9,15

Further documents are listed in the continuation of Box C.       See patent family annex.

* Special categories of cited documents:	
"A" document defining the general state of the art which is not considered to be of particular relevance	"T" later document published after the international filing date or priority date and not in conflict with the application but cited to understand the principle or theory underlying the invention
"E" earlier application or patent published on or after the international filing date	"X" document of particular relevance; the claimed invention cannot be considered novel or cannot be considered to involve an inventive step when the document is taken alone
"L" document which may throw doubts on priority claim(s) or which is cited to establish the publication date of another citation or other special reason (as specified)	"Y" document of particular relevance; the claimed invention cannot be considered to involve an inventive step when the document is combined with one or more other such documents, such combination being obvious to a person skilled in the art
"O" document referring to an oral disclosure, use, exhibition or other means	"&" document member of the same patent family
"P" document published prior to the international filing date but later than the priority date claimed	

Date of the actual completion of the international search 04 April 2008 (04.04.2008)	Date of mailing of the international search report <b>17 JUN 2008</b>
---	--

Name and mailing address of the ISA/US Mail Stop PCT, Attn: ISA/US Commissioner for Patents P.O. Box 1450 Alexandria, Virginia 22313-1450 Facsimile No. (571) 273-3201	Authorized officer /Son T. Nguyen/  Telephone No. 571-272-3600
---	--