



- (51) International Patent Classification:  
E05B 65/46 (2006.01) A47B 67/02 (2006.01)  
A47F 1/00 (2006.01) A61G 12/00 (2006.01)
- (21) International Application Number: PCT/US2012/022243
- (22) International Filing Date: 23 January 2012 (23.01.2012)
- (25) Filing Language: English
- (26) Publication Language: English
- (30) Priority Data: 13/012,721 24 January 2011 (24.01.2011) US
- (63) Related by continuation (CON) or continuation-in-part (CIP) to earlier application: US 13/012,721 (CON)  
Filed on 24 January 2011 (24.01.2011)
- (71) Applicant (for all designated States except US): CARE-FUSION 303, INC. [US/US]; 3750 Torrey Valley Court, San Diego, California 92129 (US).
- (72) Inventors; and
- (75) Inventors/Applicants (for US only): WEBER, Frank Dean [US/US]; 8941 Allenbrook Way, San Diego, California 92129 (US). RAHILLY, Michael [US/US]; 1652 Orange Blossom Way, Encinitas, California 92024 (US).

(74) Agents: GALLENSON, Mavis S. et al.; 5670 Wilshire Boulevard, Suite 2100, Los Angeles, California 90036 (US).

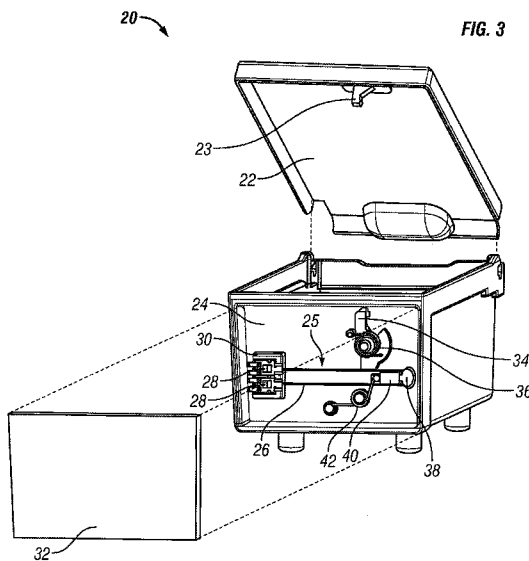
(81) Designated States (unless otherwise indicated, for every kind of national protection available): AE, AG, AL, AM, AO, AT, AU, AZ, BA, BB, BG, BH, BR, BW, BY, BZ, CA, CH, CL, CN, CO, CR, CU, CZ, DE, DK, DM, DO, DZ, EC, EE, EG, ES, FI, GB, GD, GE, GH, GM, GT, HN, HR, HU, ID, IL, IN, IS, JP, KE, KG, KM, KN, KP, KR, KZ, LA, LC, LK, LR, LS, LT, LU, LY, MA, MD, ME, MG, MK, MN, MW, MX, MY, MZ, NA, NG, NI, NO, NZ, OM, PE, PG, PH, PL, PT, QA, RO, RS, RU, RW, SC, SD, SE, SG, SK, SL, SM, ST, SV, SY, TH, TJ, TM, TN, TR, TT, TZ, UA, UG, US, UZ, VC, VN, ZA, ZM, ZW.

(84) Designated States (unless otherwise indicated, for every kind of regional protection available): ARIPO (BW, GH, GM, KE, LR, LS, MW, MZ, NA, RW, SD, SL, SZ, TZ, UG, ZM, ZW), Eurasian (AM, AZ, BY, KG, KZ, MD, RU, TJ, TM), European (AL, AT, BE, BG, CH, CY, CZ, DE, DK, EE, ES, FI, FR, GB, GR, HR, HU, IE, IS, IT, LT, LU, LV, MC, MK, MT, NL, NO, PL, PT, RO, RS, SE, SI, SK, SM, TR), OAPI (BF, BJ, CF, CG, CI, CM, GA, GN, GQ, GW, ML, MR, NE, SN, TD, TG).

Published:  
— with international search report (Art. 21(3))  
— before the expiration of the time limit for amending the claims and to be republished in the event of receipt of amendments (Rule 48.2(h))

[Continued on next page]

(54) Title: MEMORY WIRE TERMINATOR



(57) Abstract: A container for use in a dispensing system is disclosed. The container comprises a body, a linkage element movably attached to the body, a control module, and an actuator comprising a memory wire having a length and a terminator that is attached to the memory wire. The linkage element has a first position and a second position, and the actuator is mechanically coupled to the linkage element. The control module is attached to the body and comprises a contact element. The terminator is attached to the body and electrically coupled to the contact element, wherein the electrical coupling between the memory wire and the contact element is mechanically compliant such that the position of the terminator relative to the body is invariant when the position of the control module relative to the body varies.



**(88) Date of publication of the international search report:**  
8 November 2012

## INTERNATIONAL SEARCH REPORT

International application No.  
**PCT/US2012/022243****A. CLASSIFICATION OF SUBJECT MATTER***E05B 65/46(2006.01)i, A47F 1/00(2006.01)i, A47B 67/02(2006.01)i, A61G 12/00(2006.01)i*

According to International Patent Classification (IPC) or to both national classification and IPC

**B. FIELDS SEARCHED**

Minimum documentation searched (classification system followed by classification symbols)

E05B 65/46; B65D 83/04; G06G 7/48; G06F 17/00; A47F 1/00; G07F 11/00

Documentation searched other than minimum documentation to the extent that such documents are included in the fields searched

Korean utility models and applications for utility models  
Japanese utility models and applications for utility models

Electronic data base consulted during the international search (name of data base and, where practicable, search terms used)

eKOMPASS(KIPO internal) &amp; Keywords:container,ADM,memory, wire

**C. DOCUMENTS CONSIDERED TO BE RELEVANT**

Category*	Citation of document, with indication, where appropriate, of the relevant passages	Relevant to claim No.
A	US 06116461A A (LAIRD BROADFIELD et al.) 12 September 2000 See column 4, line 59 - column 8, line 28 and figures 1-22.	1-20
A	US 06011999A A (WILLIAM K. HOLMES) 04 January 2000 See column 4, line 54 - column 8, line 38 and figures 1-15.	1-20
A	US 2008-0288105 A1 (JENNIFER ANN MAUGER et al.) 20 November 2008 See paragraphs [0034]-[0053] figures 4-14.	1-20
A	US 05883806A A (JAMES W. MEADOR et al.) 16 March 1999 See column 5, line 35 - column 6, line 49 and figures 1-10.	1-20

 Further documents are listed in the continuation of Box C. See patent family annex.

\* Special categories of cited documents:

"A" document defining the general state of the art which is not considered to be of particular relevance

"E" earlier application or patent but published on or after the international filing date

"L" document which may throw doubts on priority claim(s) or which is cited to establish the publication date of citation or other special reason (as specified)

"O" document referring to an oral disclosure, use, exhibition or other means

"P" document published prior to the international filing date but later than the priority date claimed

"T" later document published after the international filing date or priority date and not in conflict with the application but cited to understand the principle or theory underlying the invention

"X" document of particular relevance; the claimed invention cannot be considered novel or cannot be considered to involve an inventive step when the document is taken alone

"Y" document of particular relevance; the claimed invention cannot be considered to involve an inventive step when the document is combined with one or more other such documents, such combination being obvious to a person skilled in the art

"&amp;" document member of the same patent family

Date of the actual completion of the international search

31 AUGUST 2012 (31.08.2012)

Date of mailing of the international search report

**03 SEPTEMBER 2012 (03.09.2012)**

Name and mailing address of the ISA/KR

Korean Intellectual Property Office  
189 Cheongsa-ro, Seo-gu, Daejeon Metropolitan  
City, 302-701, Republic of Korea

Facsimile No. 82-42-472-7140

Authorized officer

LIM, Hae Young

Telephone No. 82-42-481-5980



**INTERNATIONAL SEARCH REPORT**

Information on patent family members

International application No.

**PCT/US2012/022243**

Patent document cited in search report	Publication date	Patent family member(s)	Publication date
US 06116461A A	12.09.2000	AU 1999-46728 A1	13.12.1999
		AU 1999-46728 B2	05.09.2002
		CA 2333120 A1	02.12.1999
		CA 2333120 C	08.02.2005
		CA 2478318 A1	02.12.1999
		CA 2478318 C	18.03.2008
		EP 1086442 A2	28.03.2001
		EP 1086442 B1	19.07.2006
		EP 1701313 A2	13.09.2006
		EP 1701313 A3	27.09.2006
		EP 1701313 B1	22.07.2009
		JP 03-721306 B2	30.11.2005
		JP 2002-516228 A	04.06.2002
		US 2004-0111179 A1	10.06.2004
		US 2006-0226167 A1	12.10.2006
		US 6338007 B1	08.01.2002
		US 7040504 B2	09.05.2006
		US 7630789 B2	08.12.2009
		WO 99-60982 A2	02.12.1999
		WO 99-60982 A3	02.12.1999
US 06011999A A	04.01.2000	AU 1999-16265 A1	28.06.1999
		AU 1999-16265 B2	18.04.2002
		CA 2312751 A1	17.06.1999
		CA 2312751 C	20.10.2009
		EP 1036365 A1	20.09.2000
		EP 1036365 B1	09.11.2005
		EP 1598748 A2	23.11.2005
		EP 1598748 A3	30.11.2005
		EP 1598748 B1	01.07.2009
		JP 03-845703 B2	15.11.2006
		JP 2001-526069 A	18.12.2001
		WO 99-30248 A1	17.06.1999
US 2008-0288105 A1	20.11.2008	CA 2681263 A1	27.11.2008
		US 7840307 B2	23.11.2010
		WO 2008-143757 A1	27.11.2008
US 05883806A A	16.03.1999	WO 96-10240 A1	04.04.1996