

(19) World Intellectual Property Organization
International Bureau



(43) International Publication Date
22 November 2007 (22.11.2007)

PCT

(10) International Publication Number
WO 2007/132176 A1

- (51) **International Patent Classification:**
H04R 1/08 (2006.01) *H04R 3/00* (2006.01)
H04R 1/40 (2006.01) *H04R 25/00* (2006.01)
- (21) **International Application Number:**
PCT/GB2007/001659
- (22) **International Filing Date:** 4 May 2007 (04.05.2007)
- (25) **Filing Language:** English
- (26) **Publication Language:** English
- (30) **Priority Data:**
0609416.3 12 May 2006 (12.05.2006) GB
- (71) **Applicant (for all designated States except US):** **AUDIO-GRAVITY HOLDINGS LIMITED** [GB/GB]; 36 Elder Street, London E1 6BT (GB).
- (72) **Inventor; and**
- (75) **Inventor/Applicant (for US only):** **HERMAN, David** [GB/GB]; 115B Havelock Road, Brighton BN1 6GN (GB).
- (74) **Agents:** **CRAWFORD, Andrew, B.** et al.; A.A. Thornton & Co., 235 High Holborn, London WC1V 7LE (GB).
- (81) **Designated States (unless otherwise indicated, for every kind of national protection available):** AE, AG, AL, AM,

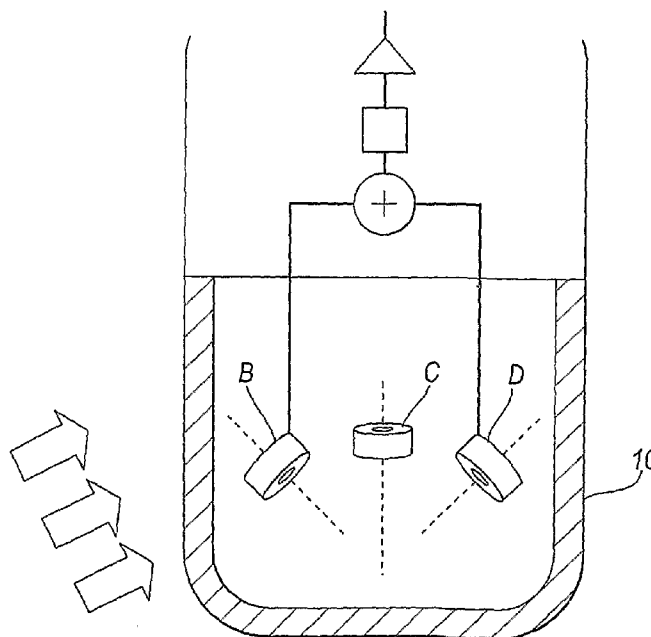
AT, AU, AZ, BA, BB, BG, BH, BR, BW, BY, BZ, CA, CH, CN, CO, CR, CU, CZ, DE, DK, DM, DZ, EC, EE, EG, ES, FI, GB, GD, GE, GH, GM, GT, HN, HR, HU, ID, IL, IN, IS, JP, KE, KG, KM, KN, KP, KR, KZ, LA, LC, LK, LR, LS, LT, LU, LY, MA, MD, MG, MK, MN, MW, MX, MY, MZ, NA, NG, NI, NO, NZ, OM, PG, PH, PL, PT, RO, RS, RU, SC, SD, SE, SG, SK, SL, SM, SV, SY, TJ, TM, TN, TR, TT, TZ, UA, UG, US, UZ, VC, VN, ZA, ZM, ZW.

(84) **Designated States (unless otherwise indicated, for every kind of regional protection available):** ARIPO (BW, GH, GM, KE, LS, MW, MZ, NA, SD, SL, SZ, TZ, UG, ZM, ZW), Eurasian (AM, AZ, BY, KG, KZ, MD, RU, TJ, TM), European (AT, BE, BG, CH, CY, CZ, DE, DK, EE, ES, FI, FR, GB, GR, HU, IE, IS, IT, LT, LU, LV, MC, MT, NL, PL, PT, RO, SE, SI, SK, TR), OAPI (BF, BJ, CF, CG, CI, CM, GA, GN, GQ, GW, ML, MR, NE, SN, TD, TG).

Published:
— with international search report
— before the expiration of the time limit for amending the claims and to be republished in the event of receipt of amendments

For two-letter codes and other abbreviations, refer to the "Guidance Notes on Codes and Abbreviations" appearing at the beginning of each regular issue of the PCT Gazette.

(54) **Title:** WIND NOISE REJECTION APPARATUS



(57) **Abstract:** An apparatus for reduction of wind noise comprised of an electro-acoustic transducer arrangement with at least two and preferably three omni-directional transducer elements. The exposed structure is covered with a thin layer of acoustic-resistive material. The electrical outputs of the elements are added together to provide an output signal with increased signal to noise ratio.

WO 2007/132176 A1



WIND NOISE REJECTION APPARATUS

The present invention relates to use of electro-acoustic transducers and more particularly to an arrangement in conjunction with an electronic circuit which reduces the effects of wind noise in the case of a microphone.

The problem with wind noise in relation to microphones is well known and many solutions have been proposed. Such proposals have often required the use of complex signal processing equipment which increases the cost of a microphone quite considerably. Simpler solutions such as providing the microphone with a wind screen of some sort have also been proposed which can be effective, however, they are extremely bulky.

The present invention provides an electro-acoustic transducer arrangement comprising a plurality of omni-directional transducer elements covered by a thin acoustic resistive material. The outputs of the elements are added together to provide an output signal with increased signal to noise ratio.

In practice, it is preferred to use three or four elements

An advantage of the present invention is that there is no requirement for there to be a desired sound source present for the invention to work.

In order that the present invention be more readily understood, an embodiment thereof will now be described by way of example only with reference to the accompanying drawings, in which:-

Fig 1 shows diagrammatically a first embodiment of microphone in accordance with the present invention;

Fig 2 shows diagrammatically a second embodiment of a microphone in accordance with the present invention;

Fig 3 shows a block diagram of a circuit for use with the microphone of Fig 1 or 2;

Fig 4 shows a block diagram of a further arrangement including modified circuitry according to the present invention.

Embodiments of the present invention comprise a plurality of omni-directional transducer elements. An omni-directional transducer element is one where there is a single port in a housing with the diaphragm of the transducer disposed within the housing. The disposition of the elements with respect to one another is not significant as the

advantages of the invention can be obtained irrespective of direction the elements face with respect to the sound source. In other words, the wind noise rejection effect is not significantly affected by the positioning of the ports of the elements with respect to the sound source nor by the direction that the wind is blowing.

However, there may be circumstances in which the elements are positioned relative to each other such that their ports are equidistant from a desired source. In one such arrangement, the elements can be located on the surface of an imaginary sphere so that they are all equidistant from the desired sound source. The microphones can be mounted in an enclosed container and exposed through a common hole. Furthermore, the microphones should be shielded from the wind with a thin acoustic resistive material that may surround them or at least placed over the exposed hole(s) common to all microphone elements. This material can be thin felt or acoustic foam similar to that used to cover the ear pieces of headphones. The material should not significantly adversely affect the frequency response of the elements.

Referring now to Fig. 1, this shows an arrangement which comprises two omnidirectional transducer elements A and B covered with a layer of acoustic resistive material 10 which may be thin felt or acoustic foam similar to that used to cover the ear pieces of headphones. As such, the material 10 does not affect the frequency response of the elements A and B. The outputs of the elements A and B are added together (not subtracted). It is to be noted that the ports a,b of the elements A and B face in very different directions but yet do not affect the performance of the arrangement.

If one considers Fig 2, three omnidirectional microphone elements are present and are disposed relative to each other so that they are physically in three dimensions and may be pointing at a common sound source. The elements are covered with material 10 as in Fig. 1. The B and D elements in Fig 1 are physically disposed in the same plane but the ports of the elements B and D point generally at a zone containing the sound source. In other words, the ports of the two elements are in the same plane but at different angles. The middle element C is physically above the plane as the elements B and D but it is tilted. Thus, it is pointing at the zone containing the sound source.

Turning now to Fig 3, it will be seen that with the arrangement of microphone elements shown in Figs 1 and 2, it is possible to arithmetically add the outputs of all the microphone elements and there may be two or more.

The electrical outputs can be added together in any convenient manner with equal signal weighting or gain using any suitable analogue or digital procedure such as digital signal processing.

Although the preferred embodiment utilises three omni-directional microphones, more than three microphone elements may be used.

It is to be noted that the omni-directional elements may be located within a housing provided with or formed by a layer of acoustic resistant material. Alternatively, the elements may be located in a case with one or more holes, in which case only the holes need be covered with a layer of acoustic resistive material. Further, this material may be of a very thin variety such as that normally associated with headphones and therefore not burden the practical manufacturability of the invention.

One intended use is that the microphone elements will be mounted in some manner so that array is in a relatively fixed position with respect to the desired sound source. In the case of a microphone for use with a person, the microphone could be attached to the end of a boom which itself is part of an ear piece or headset. Alternatively, the microphone could be mounted in a helmet which may have an oxygen feed acting as an internal source of unwanted wind noise, or it could be used to replace the existing microphone in existing outside broadcast arrangements where the microphone is located within a cage which is arranged to be held against the face of a user with the microphone itself spaced from the user's mouth by a distance. Applications include wired or Bluetooth PHF (Personal Hands Free) for use with a mobile phone. The microphone may be used with a digital or video camera such that the desired sound is coming from approximately in front of the camera. The people speaking may be non-stationary or moving without affecting the desired affect wind noise rejection.

It is to be emphasised that the microphone elements described in relation to Fig. 1 and 2 will enhance any sound whether or not the desired sound source is physically located in front of a port of one or more of the elements. Thus, precise location of the microphone with respect to, say, the mouth, is not required and it has been found that an array of microphone elements as described in relation to Fig 1 or Fig. 2 will function

satisfactorily even if the array is dangling near a suitable sound source and consequently receiving only off-axis signals.

Fig 4 shows a block diagram of a microphone array with electronic circuitry for carrying out signal processing if such is desired for any particular application e.g. should one or more of the elements be producing an inappropriate signal and it be desired to exclude it There are many other methods for achieving this using either analog or digital solutions. In this figure, the microphone elements B,C and D are shown covered by a common thin layer of acoustic resistive foam material 50. The outputs of the elements are fed to a selector circuit 51 where the signals are compared and the signal from the worst affected element is inhibited. Thereafter, the signals are fed through level and frequency control circuits 52, signal conditioning circuits 53 and then added together and fed to an output 55 after processing in a filter circuit 54 which applies band pass filtering below 200Hz. Other notch and band pass filtering can be provided to compensate for slight low frequency drop off in the voice frequency band.

The array of microphone elements replaces a conventional microphone and thus can be used as a direct replacement for such a microphone by being incorporated into equipment during manufacture. This may be achieved by incorporating the microphone elements and the associated signal addition circuitry as components of the larger equipment during manufacture. Alternatively, the microphone elements could be packaged in such convenient manner with or without their associated signal addition circuitry and provided to manufacturers as a module.

The array of omni-directional transducer elements, whether in modular form or not may be mounted in a housing which may be waterproof but is provided with an array of perforations covered by a thin layer of acoustic resistive material. The housing may be provided with means for attaching the array of elements to another piece of equipment on a user, e.g. by means of a spring clip. The present invention has wide application either as component parts of a larger piece of equipment or as a module for the larger equipment. To give some indication of the various applications, a number of different implementation will now be described. This is not an exhaustive list.

One implementation is to replace an outside broadcast microphone as indicated previously. Another is to replace the microphone in a mobile phone or part of a personal

hands-free kit for a mobile phone. Another is to replace the microphone in portable recording devices.

A further implementation is to replace the microphone in a digital camera or video camera, video camera-phone, or another portable communication device. This can be either the microphone which is pointed at the user so that the user can comment on the scene being photographed. While the above arrangements are all disclosed with reference to wind and microphones, the same principles can be applied to other fluids such as water, in which case the transducer is normally termed a hydrophone.

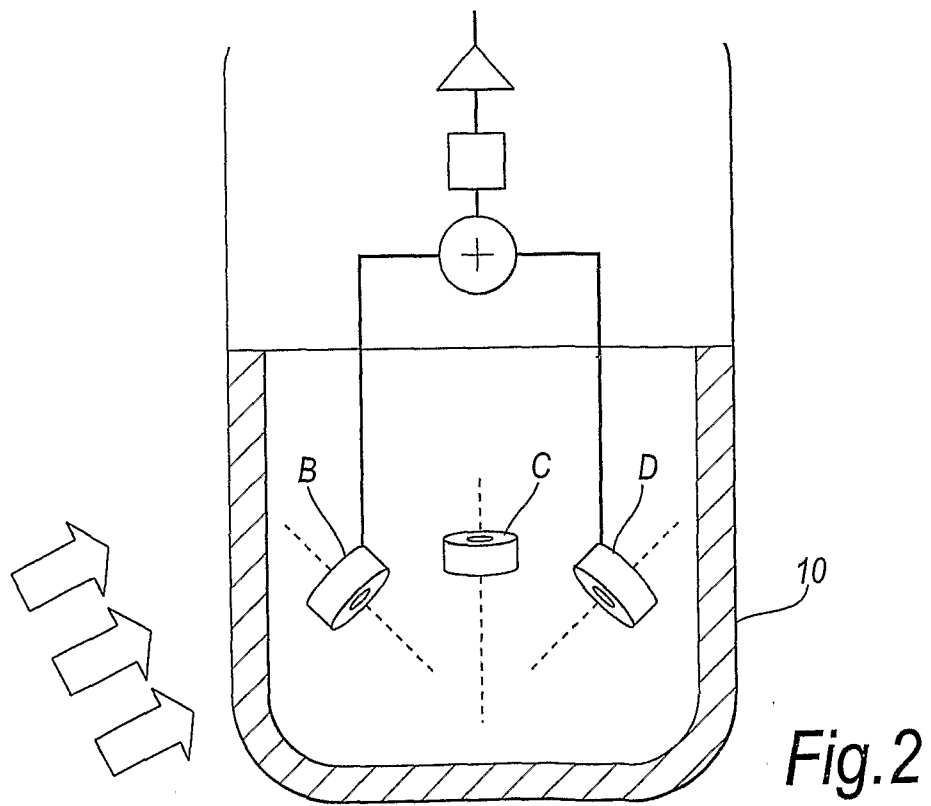
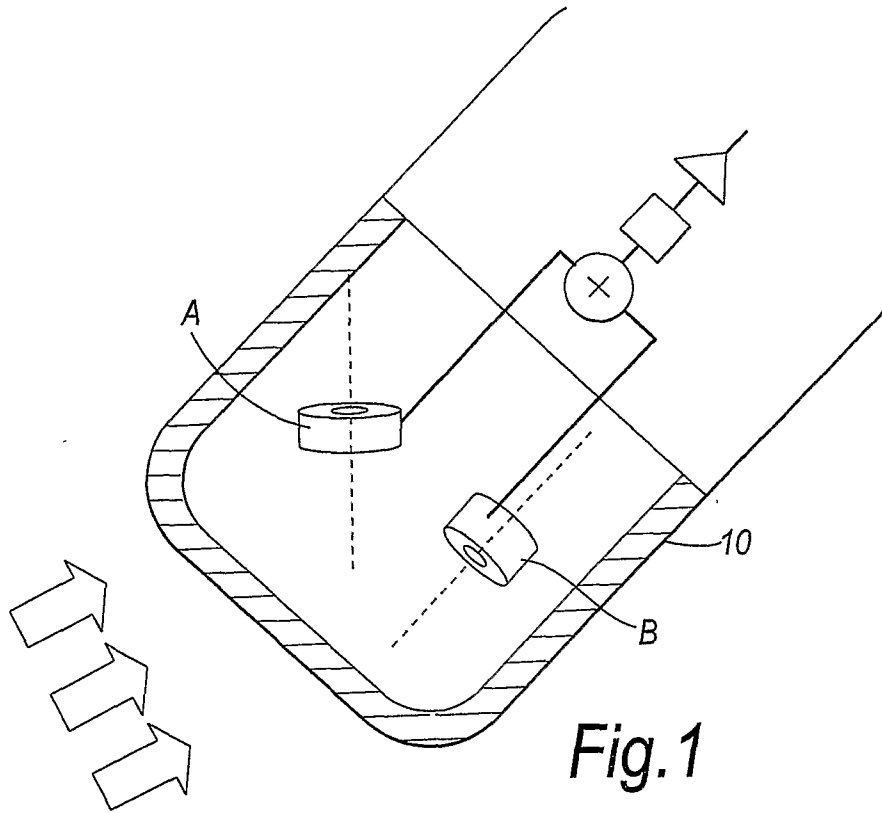
Further, the omni-directional transducer elements can be fabricated using semiconductor techniques which allows the array of elements to occupy very little space. A MEMs microphone sometimes referred to as a SiMIC (Silicon Microphone) will require the addition of a rear aperture or apertures to enable bi-directionality.

Using miniature omni-directional microphone elements in an appropriate array permits a version of the invention to be utilised in a hearing aid that is suitable for use outdoors and in breezy or windy conditions.

CLAIMS:

1. An electro-acoustic transducer arrangement comprising a plurality of omnidirectional transducer elements a means for receiving the outputs of the elements and for adding the outputs together, and acoustically resistive material covering at least a portion of the common volume that all the transducers are exposed to the wind.
2. A transducer arrangement according to claim 1, wherein there are at least three transducer elements located in an array forming part of an imaginary sphere or parabola.
3. A transducer arrangement according to claim 1 or 2, wherein the elements are microphone elements and are located on a boom attached to a user's head so as to be located pointing at the user's mouth.
4. A transducer arrangement according to claim 1 or 2, wherein the elements are microphone elements and are located on a helmet so as to be pointing at a user's mouth.
5. A transducer arrangement according to any one of claims 1 to 4 wherein the elements are mounted at the appropriate angle and orientation by use of an over-moulded high temperature polymer which will be placed by the standard SMT process.
6. A transducer arrangement according to any one of claims 1 to 5 wherein the plurality of elements are manufactured using semiconductor micro fabrication techniques.
7. A transducer module comprising a housing within which is provided a transducer arrangement as claimed in any of the preceding claims, wherein an outer surface of the housing is semi-permeable in one direction and is waterproofed.
8. A module as claimed in claim 7, wherein an array of perforations is provided in said waterproofing housing adjacent to each microphone.

9. A module as claimed in claim 8 is adjustable in direction all planar direction normal to the microphone face, the said orientation is fully adjustable, and self positions with adequate friction.
10. A module as claimed in any one of claims 7, 8 or 9 wherein mounting means are provided in the form of an over-moulded package.
11. A module according to claim 7, wherein said waterproofing material is bonded to the rear of the microphone package and forms an elliptical core, which is in clearance of all other points.
12. A module as claimed in 7, wherein said housing is provided with a resilient snap back clip.
13. A module as claimed in any one of claims 7 to 12 wherein electrical connections and said transducer arrangement are secured electrically in the other equipment.
14. A camera incorporating a transducer arrangement according to any one of the preceding claims.
15. A portable communication device incorporating a transducer arrangement or module according to any one of the claims 1 to 13.
16. A portable communication device according to claim 15, wherein the device communicates data, as well as sound.
17. A hearing aid incorporating a transducer arrangement according to claim 6.
18. A recording device incorporating a transducer arrangement or module according to any one of claims 1 to 13.



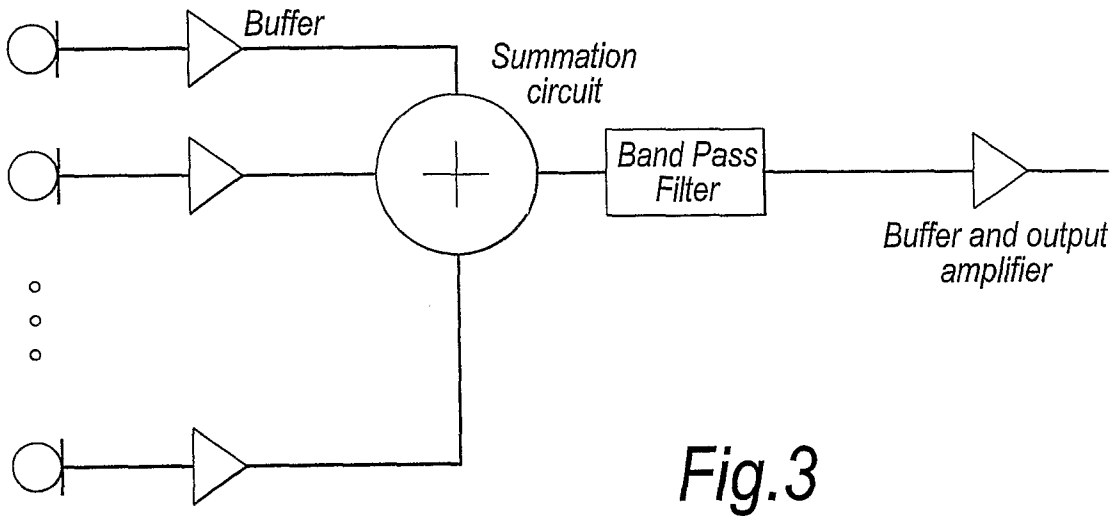


Fig.3

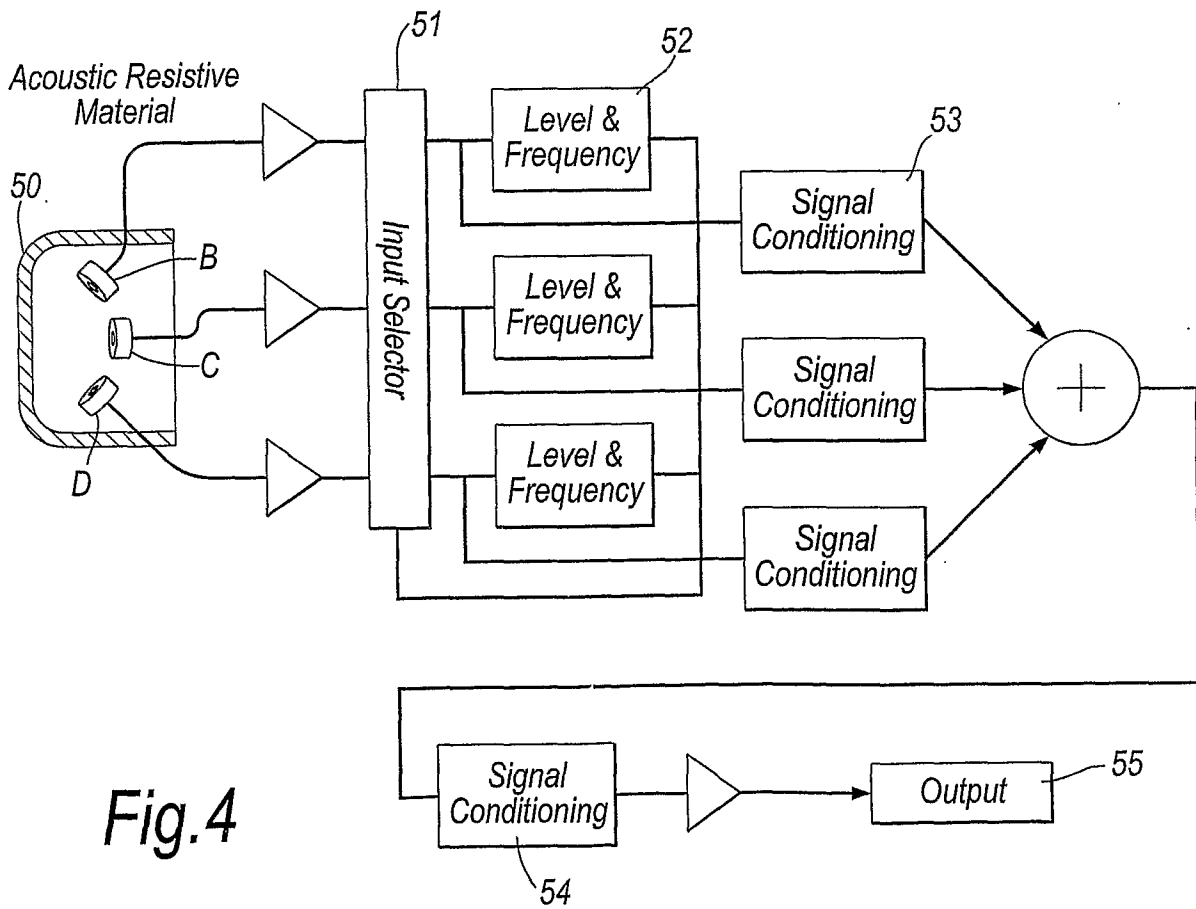


Fig.4

INTERNATIONAL SEARCH REPORT

International application No

PCT/GB2007/001659

A. CLASSIFICATION OF SUBJECT MATTER
 INV. H04R1/08 H04R1/40 H04R3/00
 ADD. H04R25/00

According to International Patent Classification (IPC) or to both national classification and IPC

B. FIELDS SEARCHED

Minimum documentation searched (classification system followed by classification symbols)
 H04R

Documentation searched other than minimum documentation to the extent that such documents are included in the fields searched

Electronic data base consulted during the international search (name of data base and, where practical, search terms used)

EPO-Internal

C. DOCUMENTS CONSIDERED TO BE RELEVANT

Category*	Citation of document, with indication, where appropriate, of the relevant passages	Relevant to claim No.
P, X	WO 2006/103441 A (AUDIOGRAVITY HOLDINGS LTD [GB]; HERMAN DAVID [GB]) 5 October 2006 (2006-10-05) the whole document	1-18
Y	WO 98/46043 A (INTERKOM ELECTRONIC KOCK & MRE [DE]; KOCK GERHARD [DE]) 15 October 1998 (1998-10-15) abstract page 3, line 13 - line 16 page 5, line 11 - line 30 page 10, line 14 - page 11, line 27; claims 1,2,5,6,11; figures 1,2,6	1-18
Y	US 3 652 810 A (WEINGARTNER BERNHARD) 28 March 1972 (1972-03-28) the whole document	1-18

 Further documents are listed in the continuation of Box C. See patent family annex.

* Special categories of cited documents :

A document defining the general state of the art which is not considered to be of particular relevance

E earlier document but published on or after the international filing date

L document which may throw doubts on priority claim(s) or which is cited to establish the publication date of another citation or other special reason (as specified)

O document referring to an oral disclosure, use, exhibition or other means

P document published prior to the international filing date but later than the priority date claimed

T later document published after the international filing date or priority date and not in conflict with the application but cited to understand the principle or theory underlying the invention

X document of particular relevance; the claimed invention cannot be considered novel or cannot be considered to involve an inventive step when the document is taken alone

Y document of particular relevance; the claimed invention cannot be considered to involve an inventive step when the document is combined with one or more other such documents, such combination being obvious to a person skilled in the art.

* & * document member of the same patent family

Date of the actual completion of the international search

8 October 2007

Date of mailing of the international search report

22/10/2007

Name and mailing address of the ISA/

European Patent Office, P.B. 5818 Patentlaan 2
 NL - 2280 HV Rijswijk
 Tel. (+31-70) 340-2040, Tx. 31 651 epo nl,
 Fax: (+31-70) 340-3016

Authorized officer

Fülöp, István

INTERNATIONAL SEARCH REPORT

International application No
PCT/GB2007/001659

C(Continuation). DOCUMENTS CONSIDERED TO BE RELEVANT		
Category*	Citation of document, with indication, where appropriate, of the relevant passages	Relevant to claim No.
A	US 2003/147538 A1 (ELKO GARY W [US]) 7 August 2003 (2003-08-07) abstract paragraph [0005] paragraph [0016] paragraph [0021] paragraph [0054] paragraph [0113] paragraph [0116] -----	1-18

INTERNATIONAL SEARCH REPORT

Information on patent family members

International application No PCT/GB2007/001659

Patent document cited in search report	A	Publication date	Patent family member(s)	Publication date
WO 2006103441	A	05-10-2006	NONE	
WO 9846043	A	15-10-1998	AT 203869 T EP 1008277 A2 JP 2001519110 T	15-08-2001 14-06-2000 16-10-2001
US 3652810	A	28-03-1972	AT 252343 B DE 1290978 B GB 1102306 A	10-02-1967 20-03-1969 07-02-1968
US 2003147538	A1	07-08-2003	AU 2003217328 A1 EP 1488661 A2 WO 03067922 A2	02-09-2003 22-12-2004 14-08-2003