



US0D1049697S

(12) **United States Design Patent**  
**Chen**

(10) **Patent No.:** **US D1,049,697 S**

(45) **Date of Patent:** **\*\* Nov. 5, 2024**

(54) **WALL SHELF**

(71) Applicant: **Xiaozhi Chen**, Fuzhou (CN)

(72) Inventor: **Xiaozhi Chen**, Fuzhou (CN)

(\*\*) Term: **15 Years**

(21) Appl. No.: **29/959,077**

(22) Filed: **Aug. 23, 2024**

(51) **LOC (14) Cl.** ..... **06-04**

(52) **U.S. Cl.**  
USPC ..... **D6/574**

(58) **Field of Classification Search**

USPC ..... D6/512, 518–525, 548–550, 552, 553,  
D6/573, 574, 560, 566, 567, 562, 672,  
D6/673, 675, 675.1, 705; D8/300, 303,  
D8/315–321, 349, 354, 363, 373, 380;  
108/28–29, 152; 211/13.1, 42, 71.01,  
211/86.01, 87.01, 88.01, 88.03, 90.01,  
211/90.03, 126.1, 133.5, 134, 153, 182;  
248/205.3, 235, 243, 247, 249, 250  
CPC ..... A47K 17/00; A47K 3/281; A47K 3/001;  
B23P 17/04; A47B 57/265; A47B 57/565;  
A47B 57/26; A47B 69/00; A47B 71/00;  
A47B 43/00; A47B 43/04; A47B  
47/0066; A47B 47/04; A47B 63/00;  
B65D 51/00

See application file for complete search history.

(56) **References Cited**

**U.S. PATENT DOCUMENTS**

1,403,368 A \* 1/1922 Allen ..... A47F 5/005  
312/137  
D106,698 S \* 10/1937 Taylor ..... D7/406  
D129,462 S \* 9/1941 Pellegrin ..... D7/406  
D146,279 S \* 1/1947 Goodard ..... D6/574  
D146,280 S \* 1/1947 Goodard ..... D6/574  
D372,847 S \* 8/1996 Sparks ..... D7/600.1  
D477,742 S \* 7/2003 Hoernig ..... D6/574  
D501,622 S \* 2/2005 Hoernig ..... D6/574

D510,205 S \* 10/2005 Nickel ..... D6/705  
D512,867 S \* 12/2005 Gates ..... D6/574  
D514,363 S \* 2/2006 Hoernig ..... D6/574  
D671,781 S \* 12/2012 Kwok ..... D6/574  
D932,210 S \* 10/2021 Hong ..... D6/574  
D935,801 S \* 11/2021 Wang ..... D6/549  
D945,791 S \* 3/2022 Peng ..... D6/574  
D953,782 S \* 6/2022 Mai ..... D6/672  
D955,139 S 6/2022 Lin  
D966,742 S 10/2022 Hu  
D999,560 S \* 9/2023 Zheng ..... D6/567  
D999,561 S \* 9/2023 Zheng ..... D6/567  
D1,000,866 S \* 10/2023 Zhu ..... D6/574  
D1,007,184 S \* 12/2023 Chen ..... D6/574  
D1,011,084 S \* 1/2024 Ma ..... D6/574

(Continued)

**OTHER PUBLICATIONS**

Amazon.com, Floating Shelves for Wall Decor Bathroom Shelves Over Toilet, Apr. 28, 2023, <https://www.amazon.com/RYOFOBETTO-Floating-Shelves-Bathroom-Farmhouse/dp/B0C3V9V8CR/> (Year: 2023).\*

*Primary Examiner* — Nathan M Johnston

(74) *Attorney, Agent, or Firm* — Jose Cherson Weissbrot

(57) **CLAIM**

The ornamental design for a wall shelf, as shown and described.

**DESCRIPTION**

FIG. 1 is a top perspective view of a wall shelf, showing my new design;

FIG. 2 is a front view thereof;

FIG. 3 is a rear view thereof;

FIG. 4 is a right side view thereof;

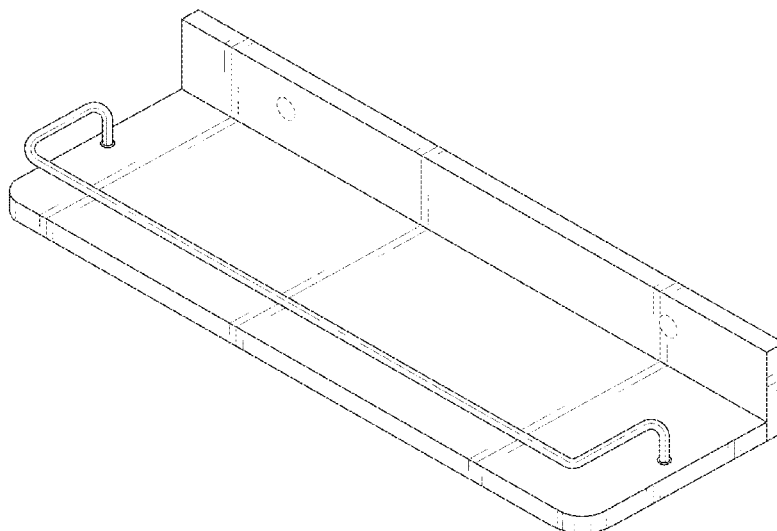
FIG. 5 is a left side view thereof;

FIG. 6 is a top view thereof; and,

FIG. 7 is a bottom view thereof.

All the broken lines in the drawings depict portions of the wall shelf, that form no part of the claimed design.

**1 Claim, 5 Drawing Sheets**



(56)

**References Cited**

U.S. PATENT DOCUMENTS

D1,013,413	S *	2/2024	Cai .....	D6/574
D1,028,569	S *	5/2024	Zhang .....	D6/567
D1,033,975	S *	7/2024	Li .....	D6/574
D1,036,154	S *	7/2024	Wu .....	D6/574
2007/0241071	A1 *	10/2007	Antonioni .....	A47F 5/0807 211/87.01

\* cited by examiner

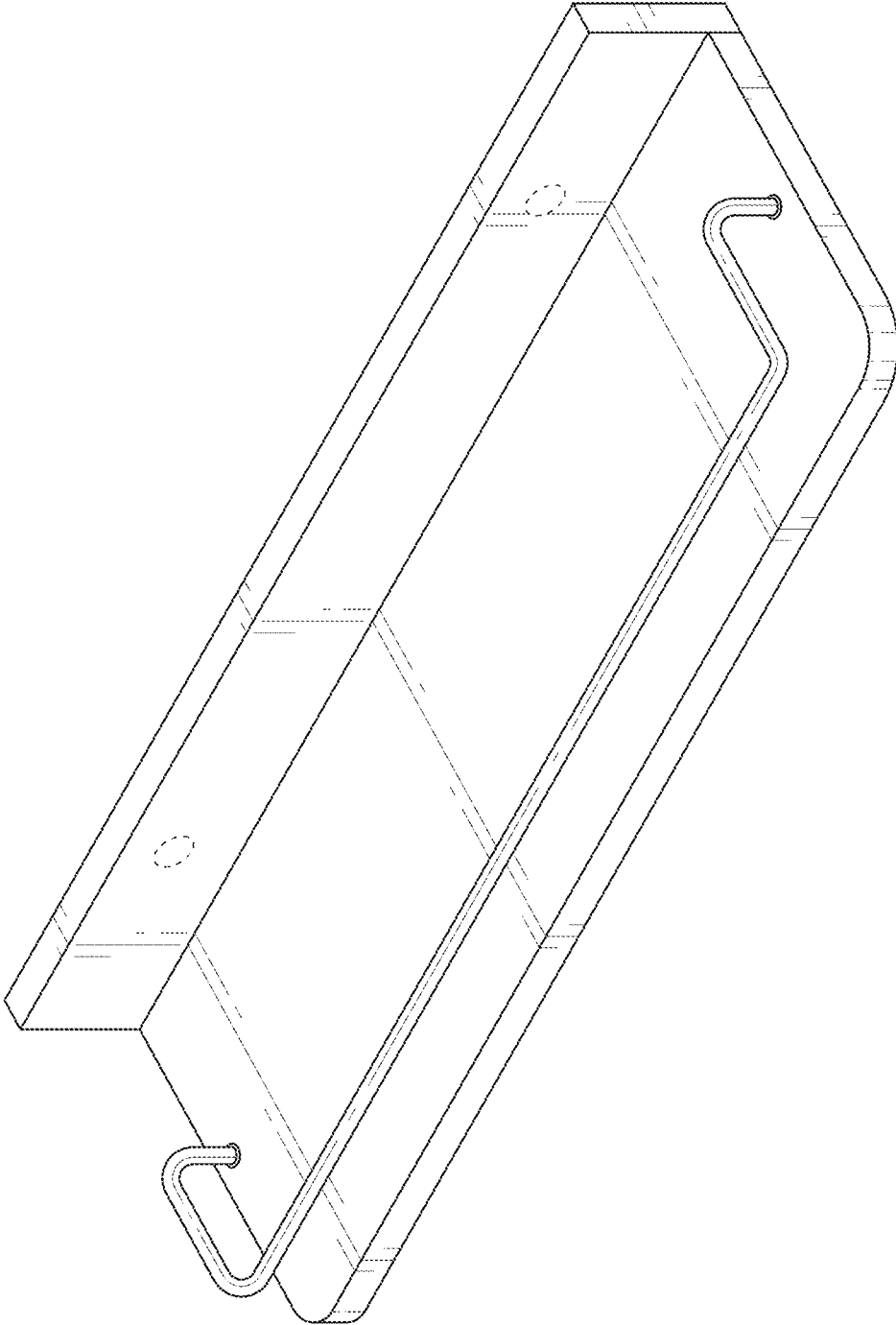


FIG. 1

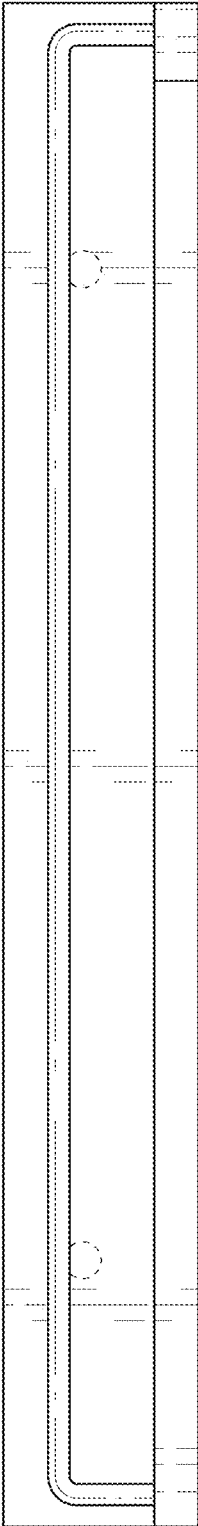


FIG. 2

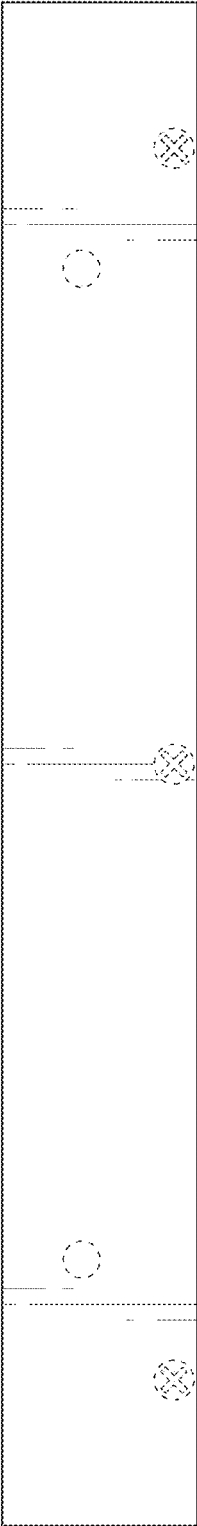


FIG. 3

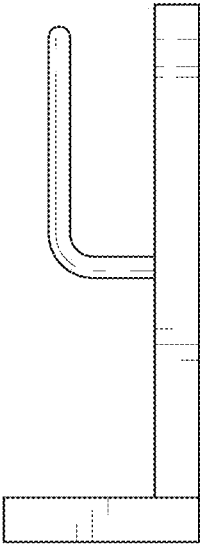


FIG. 5

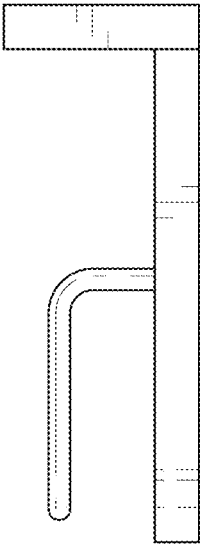


FIG. 4

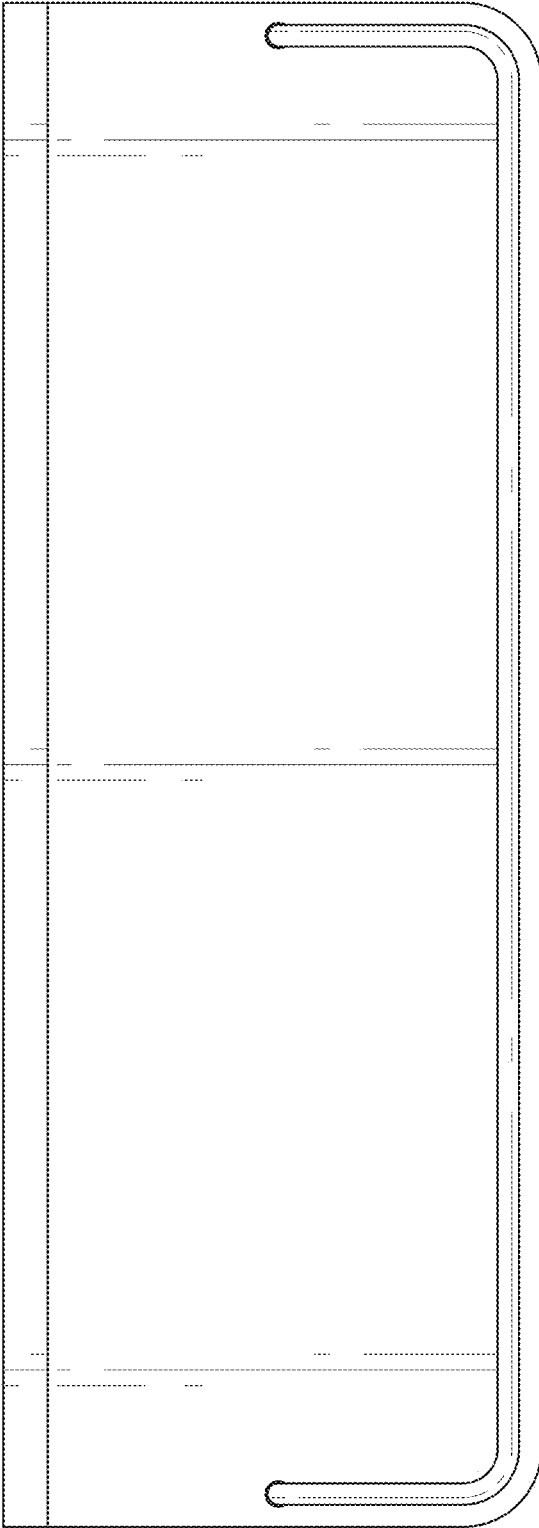


FIG. 6

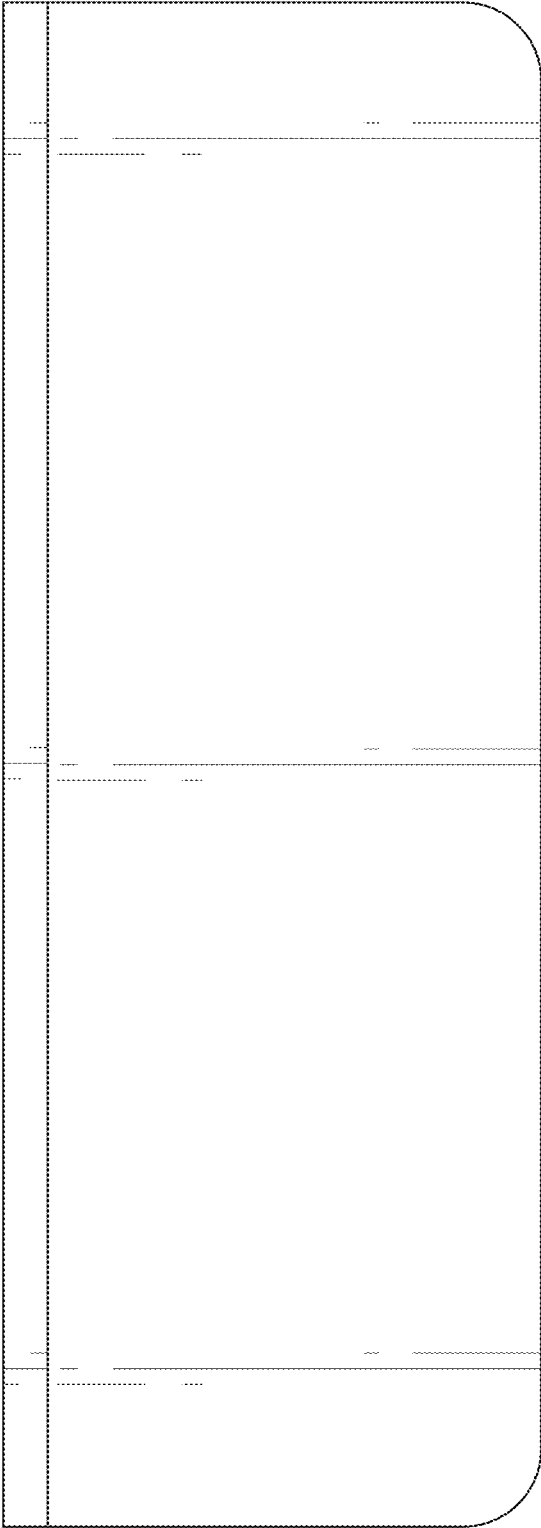


FIG. 7