



US00D766115S

(12) **United States Design Patent** (10) **Patent No.:** **US D766,115 S**
Ma (45) **Date of Patent:** **** Sep. 13, 2016**

(54) **HEALTH WRISTWATCH**
(71) Applicant: **SHENZHEN BREO TECHNOLOGY CO., LTD.**, Shenzhen (CN)

(72) Inventor: **Xuejun Ma**, Shenzhen (CN)

(73) Assignee: **ShenZhen Breo Technology Co., Ltd.**, Guangdong (CN)

(**) Term: **15 Years**

(21) Appl. No.: **29/528,128**

(22) Filed: **May 26, 2015**

(30) **Foreign Application Priority Data**
Mar. 6, 2015 (CN) 2015 3 0055231
(51) **LOC (10) Cl.** **10-04**
(52) **U.S. Cl.**
USPC **D10/70; D10/38; D10/97; D10/98; D24/167; D14/344**

(58) **Field of Classification Search**
USPC D10/38, 70, 97, 98; D24/167; D14/344
CPC A44C 5/00-5/16; G04B 45/0069; G04B 47/04; G04B 19/00-19/34; G04B 21/12; G04B 23/12; G04B 37/00-37/228; G04B 47/00-47/068; G01C 17/00; G01C 21/00-21/3697

See application file for complete search history.

(56) **References Cited**
U.S. PATENT DOCUMENTS
D361,042 S * 8/1995 Nanayakkara D10/30
D528,439 S * 9/2006 Burton D10/32
D528,928 S * 9/2006 Burton D10/38
D708,534 S * 7/2014 Martin D10/104.1
D729,653 S * 5/2015 Nuovo D10/103
D741,726 S * 10/2015 Akana D10/30
D745,005 S * 12/2015 Kim D10/38
D753,510 S * 4/2016 Puttongul D10/30
9,318,907 B2 * 4/2016 Huang H02J 7/0045

* cited by examiner

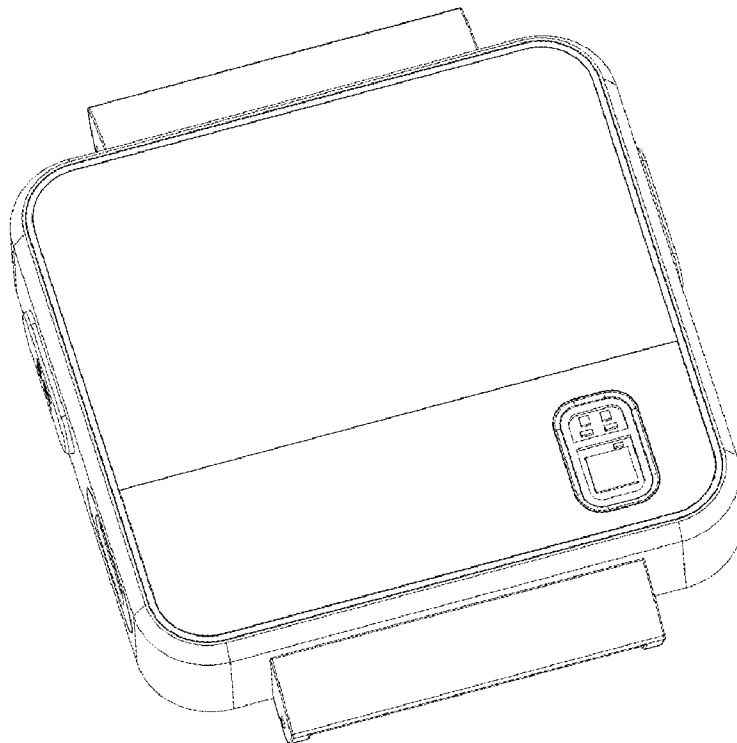
Primary Examiner — Antoine D Davis
(74) *Attorney, Agent, or Firm* — Westerman, Hattori, Daniels & Adrian, LLP

(57) **CLAIM**
The ornamental design for a “health wristwatch,” as shown and described.

DESCRIPTION

FIG. 1 is a perspective view of the health wristwatch; FIG. 2 is a front view thereof; FIG. 3 is a rear view thereof; FIG. 4 is a left view thereof; FIG. 5 is a right view thereof; FIG. 6 is a top view thereof; FIG. 7 is a bottom view thereof; and, FIG. 8 is a reference view thereof in use.

1 Claim, 4 Drawing Sheets



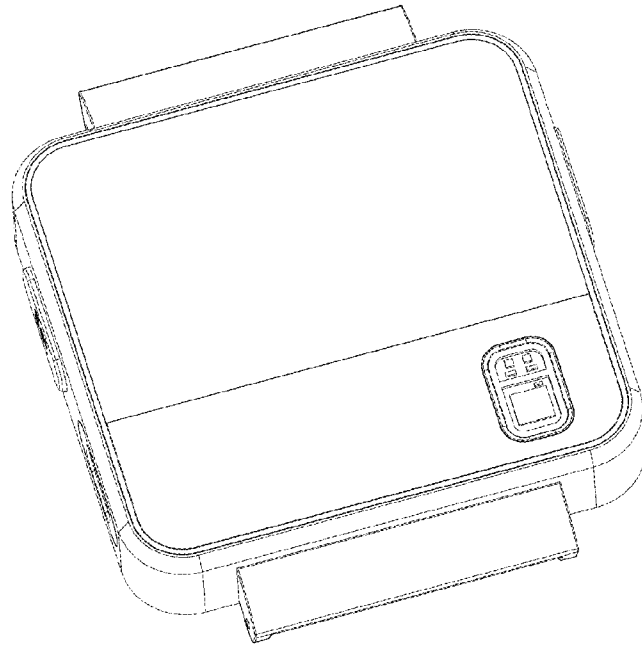


FIG.1

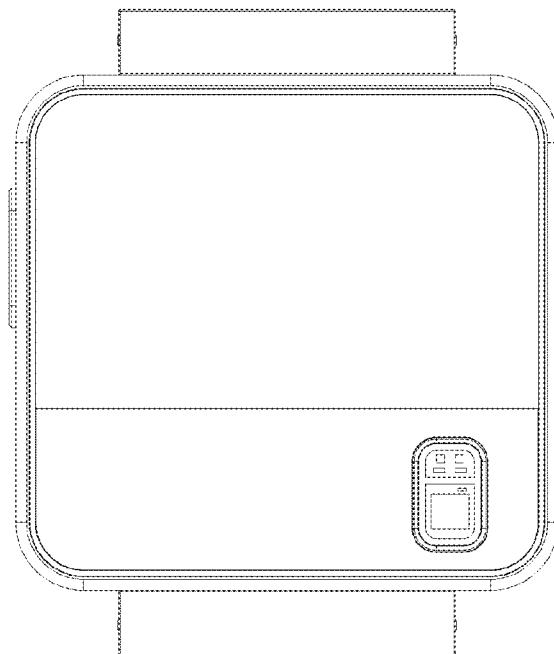


FIG.2

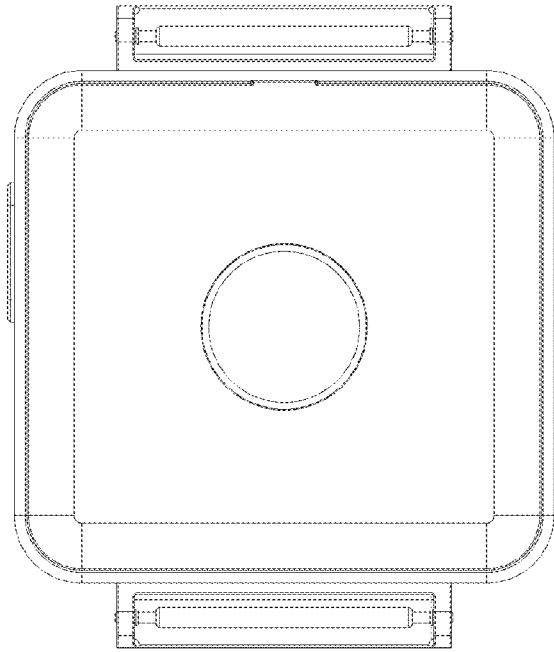


FIG.3

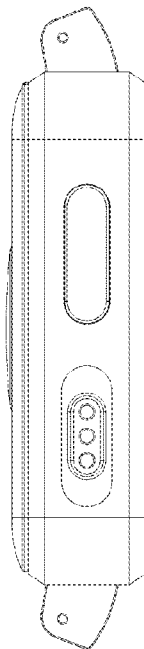


FIG.4

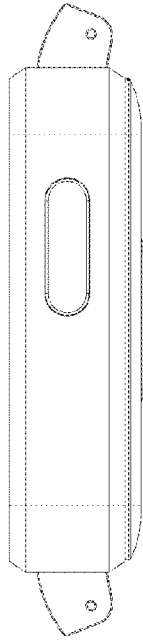


FIG.5

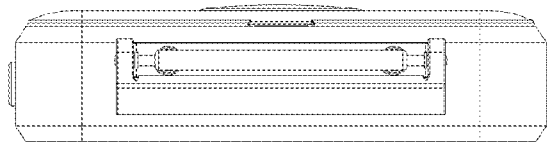


FIG.6

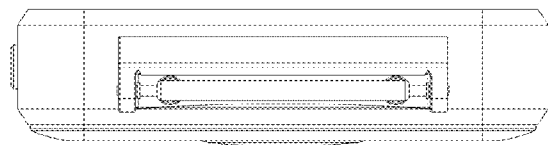


FIG.7

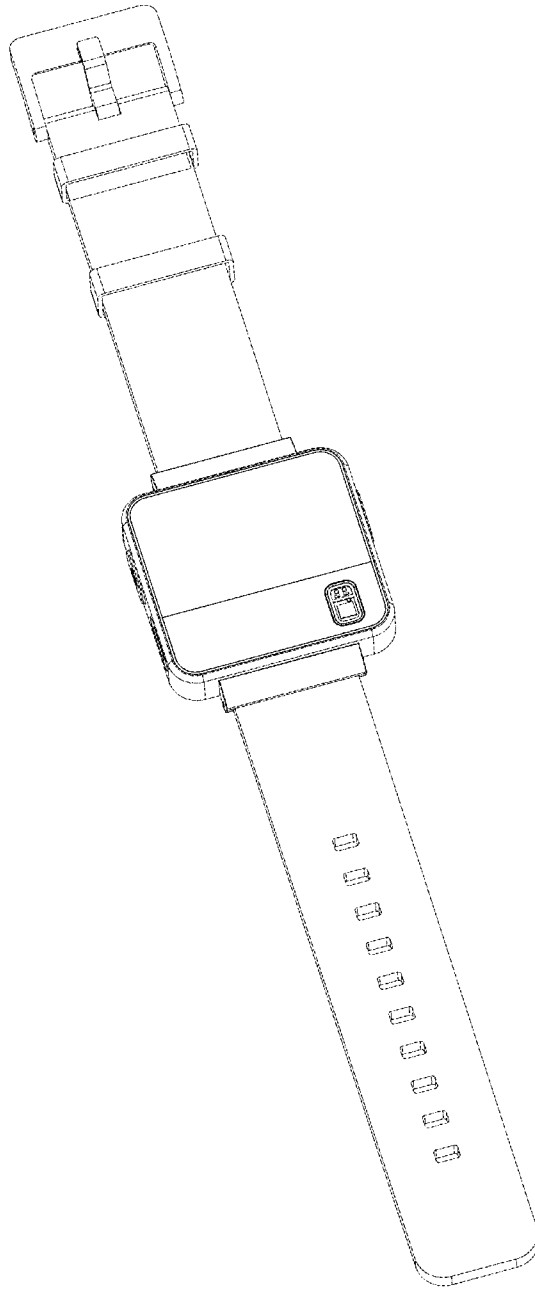


FIG.8