



US00D788043S

(12) **United States Design Patent**  
**Smith**

(10) **Patent No.:** **US D788,043 S**

(45) **Date of Patent:** **\*\* May 30, 2017**

(54) **ADJUSTABLE ELECTRICAL CONNECTOR**

OTHER PUBLICATIONS

(71) Applicant: **Bridgeport Fittings, Inc.**, Stratford, CT (US)

“Thomas & Betts 3307M Insulated Connector 2 Inch Malleable Iron 2-Screw Clamp Mount,” cesco.com, Cat #: 3307M, Part#: 195578, SKU: 101740; <http://www.cesco.com/b2c/product/101740>.

(72) Inventor: **Lawrence J. Smith**, Stamford, CT (US)

*Primary Examiner* — Derrick Holland

(73) Assignee: **BRIDGEPORT FITTINGS, INC.**, Stratford, CT (US)

*Assistant Examiner* — Jennifer O King

(\*\*) Term: **15 Years**

(74) *Attorney, Agent, or Firm* — Ware, Fressola, Maguire & Barber LLP

(21) Appl. No.: **29/533,611**

(57) **CLAIM**

The ornamental design for an adjustable electrical connector, as shown and described.

(22) Filed: **Jul. 20, 2015**

(51) **LOC (10) Cl.** ..... **13-03**

(52) **U.S. Cl.**  
USPC ..... **D13/151**

(58) **Field of Classification Search**

USPC ..... D13/133, 149, 150, 151, 153, 154, 156, 157, 158, 159, 160, 161, 162, 163, 164, 165, 166, 167, 168, 169, 170, 171, 172, 173, 174, 175, 176, 177, 178, 179, 180, 181, 182, 183, 184, 185, 186, 187, 188, 189, 190, 191, 192, 193, 194, 195, 196, 197, 198, 199, 200, 201, 202, 203, 204, 205, 206, 207, 208, 209, 210, 211, 212, 213, 214, 215, 216, 217, 218, 219, 220, 221, 222, 223, 224, 225, 226, 227, 228, 229, 230, 231, 232, 233, 234, 235, 236, 237, 238, 239, 240, 241, 242, 243, 244, 245, 246, 247, 248, 249, 250, 251, 252, 253, 254, 255, 256, 257, 258, 259, 260, 261, 262, 263, 264, 265, 266, 267, 268, 269, 270, 271, 272, 273, 274, 275, 276, 277, 278, 279, 280, 281, 282, 283, 284, 285, 286, 287, 288, 289, 290, 291, 292, 293, 294, 295, 296, 297, 298, 299, 300, 301, 302, 303, 304, 305, 306, 307, 308, 309, 310, 311, 312, 313, 314, 315, 316, 317, 318, 319, 320, 321, 322, 323, 324, 325, 326, 327, 328, 329, 330, 331, 332, 333, 334, 335, 336, 337, 338, 339, 340, 341, 342, 343, 344, 345, 346, 347, 348, 349, 350, 351, 352, 353, 354, 355, 356, 357, 358, 359, 360, 361, 362, 363, 364, 365, 366, 367, 368, 369, 370, 371, 372, 373, 374, 375, 376, 377, 378, 379, 380, 381, 382, 383, 384, 385, 386, 387, 388, 389, 390, 391, 392, 393, 394, 395, 396, 397, 398, 399, 400, 401, 402, 403, 404, 405, 406, 407, 408, 409, 410, 411, 412, 413, 414, 415, 416, 417, 418, 419, 420, 421, 422, 423, 424, 425, 426, 427, 428, 429, 430, 431, 432, 433, 434, 435, 436, 437, 438, 439, 440, 441, 442, 443, 444, 445, 446, 447, 448, 449, 450, 451, 452, 453, 454, 455, 456, 457, 458, 459, 460, 461, 462, 463, 464, 465, 466, 467, 468, 469, 470, 471, 472, 473, 474, 475, 476, 477, 478, 479, 480, 481, 482, 483, 484, 485, 486, 487, 488, 489, 490, 491, 492, 493, 494, 495, 496, 497, 498, 499, 500, 501, 502, 503, 504, 505, 506, 507, 508, 509, 510, 511, 512, 513, 514, 515, 516, 517, 518, 519, 520, 521, 522, 523, 524, 525, 526, 527, 528, 529, 530, 531, 532, 533, 534, 535, 536, 537, 538, 539, 540, 541, 542, 543, 544, 545, 546, 547, 548, 549, 550, 551, 552, 553, 554, 555, 556, 557, 558, 559, 560, 561, 562, 563, 564, 565, 566, 567, 568, 569, 570, 571, 572, 573, 574, 575, 576, 577, 578, 579, 580, 581, 582, 583, 584, 585, 586, 587, 588, 589, 590, 591, 592, 593, 594, 595, 596, 597, 598, 599, 600, 601, 602, 603, 604, 605, 606, 607, 608, 609, 610, 611, 612, 613, 614, 615, 616, 617, 618, 619, 620, 621, 622, 623, 624, 625, 626, 627, 628, 629, 630, 631, 632, 633, 634, 635, 636, 637, 638, 639, 640, 641, 642, 643, 644, 645, 646, 647, 648, 649, 650, 651, 652, 653, 654, 655, 656, 657, 658, 659, 660, 661, 662, 663, 664, 665, 666, 667, 668, 669, 670, 671, 672, 673, 674, 675, 676, 677, 678, 679, 680, 681, 682, 683, 684, 685, 686, 687, 688, 689, 690, 691, 692, 693, 694, 695, 696, 697, 698, 699, 700, 701, 702, 703, 704, 705, 706, 707, 708, 709, 710, 711, 712, 713, 714, 715, 716, 717, 718, 719, 720, 721, 722, 723, 724, 725, 726, 727, 728, 729, 730, 731, 732, 733, 734, 735, 736, 737, 738, 739, 740, 741, 742, 743, 744, 745, 746, 747, 748, 749, 750, 751, 752, 753, 754, 755, 756, 757, 758, 759, 760, 761, 762, 763, 764, 765, 766, 767, 768, 769, 770, 771, 772, 773, 774, 775, 776, 777, 778, 779, 780, 781, 782, 783, 784, 785, 786, 787, 788, 789, 790, 791, 792, 793, 794, 795, 796, 797, 798, 799, 800, 801, 802, 803, 804, 805, 806, 807, 808, 809, 810, 811, 812, 813, 814, 815, 816, 817, 818, 819, 820, 821, 822, 823, 824, 825, 826, 827, 828, 829, 830, 831, 832, 833, 834, 835, 836, 837, 838, 839, 840, 841, 842, 843, 844, 845, 846, 847, 848, 849, 850, 851, 852, 853, 854, 855, 856, 857, 858, 859, 860, 861, 862, 863, 864, 865, 866, 867, 868, 869, 870, 871, 872, 873, 874, 875, 876, 877, 878, 879, 880, 881, 882, 883, 884, 885, 886, 887, 888, 889, 890, 891, 892, 893, 894, 895, 896, 897, 898, 899, 900, 901, 902, 903, 904, 905, 906, 907, 908, 909, 910, 911, 912, 913, 914, 915, 916, 917, 918, 919, 920, 921, 922, 923, 924, 925, 926, 927, 928, 929, 930, 931, 932, 933, 934, 935, 936, 937, 938, 939, 940, 941, 942, 943, 944, 945, 946, 947, 948, 949, 950, 951, 952, 953, 954, 955, 956, 957, 958, 959, 960, 961, 962, 963, 964, 965, 966, 967, 968, 969, 970, 971, 972, 973, 974, 975, 976, 977, 978, 979, 980, 981, 982, 983, 984, 985, 986, 987, 988, 989, 990, 991, 992, 993, 994, 995, 996, 997, 998, 999, 1000

CPC ..... H01R 4/38; H01R 24/58  
See application file for complete search history.

**DESCRIPTION**

FIG. 1 is a front perspective view of an adjustable electrical connector of my new design shown in environmental use. FIG. 2 is a right side view thereof. FIG. 3 is a left side view thereof. FIG. 4 is a top view thereof. FIG. 5 is a bottom view thereof. FIG. 6 is a front view thereof. FIG. 7 is a rear view thereof. FIG. 8 is a side view thereof shown in environmental use. FIG. 9 is a front perspective view of an alternative embodiment of the adjustable electrical connector shown in environmental use. FIG. 10 is a right side view of the alternative embodiment. FIG. 11 is a left side view thereof. FIG. 12 is a top view thereof. FIG. 13 is a bottom view thereof. FIG. 14 is a front view thereof. FIG. 15 is a rear view thereof; and, FIG. 16 is a side view of the alternative embodiment shown in environmental use. The broken lines shown represent unclaimed subject matter and form no part of the claimed design.

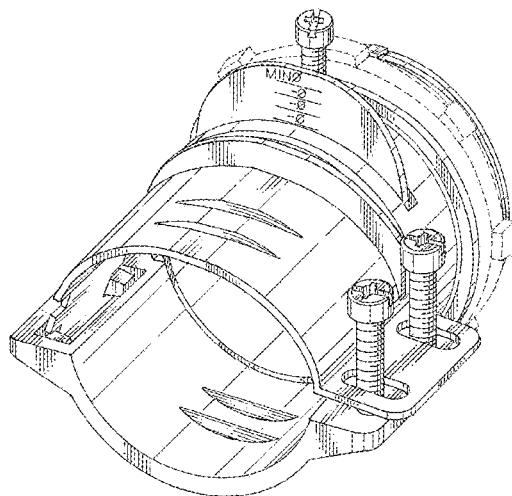
(56) **References Cited**

U.S. PATENT DOCUMENTS

1,644,306	A	10/1927	Ledbetter	
1,769,947	A	7/1930	Fullman	
1,810,958	A	6/1931	Fullman	
1,850,792	A	3/1932	Frederickson	
2,413,927	A	1/1947	Robertson	
2,485,676	A	10/1949	Thomas, Jr.	
2,490,253	A	12/1949	Buchanan	
2,540,999	A	2/1951	Thomas, Jr.	
2,973,212	A	2/1961	Rose	
3,183,297	A	5/1965	Curtiss	
3,746,373	A	7/1973	Prudente	
D243,405	S *	2/1977	Mooney	D13/149
D283,675	S *	5/1986	Fogel	D8/396
4,990,721	A	2/1991	Sheehan	

(Continued)

**1 Claim, 12 Drawing Sheets**



(56)

References Cited

U.S. PATENT DOCUMENTS

D338,445 S *	8/1993	Lamont .....	D13/156	D573,102 S *	7/2008	Sheehan .....	D13/153
D339,793 S *	9/1993	Nardi .....	D13/149	7,432,452 B2	10/2008	Gardner	
D360,188 S *	7/1995	Kiely .....	D13/152	7,442,079 B1	10/2008	Gretz	
5,539,152 A	7/1996	Gretz		D581,877 S *	12/2008	Kiely .....	D13/133
D380,197 S *	6/1997	Garcia .....	D13/152	7,485,806 B1	2/2009	Gretz	
5,775,739 A	7/1998	Gretz		D596,578 S *	7/2009	Kiely .....	D13/149
5,789,706 A	8/1998	Perkins		D600,650 S *	9/2009	Smith .....	D13/133
D404,362 S *	1/1999	Auray .....	D13/152	D600,651 S *	9/2009	Smith .....	D13/133
5,894,109 A *	4/1999	Marik .....	H02G 3/0683 174/650	D601,094 S *	9/2009	Smith .....	D13/133
6,064,009 A	5/2000	Jorgensen et al.		7,901,222 B2	3/2011	Dixon et al.	
6,140,582 A	10/2000	Sheehan		7,952,034 B2	5/2011	Kiely et al.	
D473,783 S	4/2003	Kiely		D648,279 S *	11/2011	Kiely .....	D13/149
D479,984 S	9/2003	Kiely		8,105,096 B2	1/2012	Dixon et al.	
6,935,891 B2	8/2005	Kiely		8,129,634 B2	3/2012	Sheehan et al.	
D518,791 S	4/2006	Kiely		D666,153 S *	8/2012	Smith .....	D13/149
7,022,914 B1	4/2006	Kiely		D668,617 S *	10/2012	Kiely .....	D13/149
D530,678 S	10/2006	Kiely		8,476,541 B1	7/2013	Kiely	
7,329,144 B1	2/2008	Gretz		D749,047 S *	2/2016	Smith .....	D13/149
				9,257,795 B2 *	2/2016	Smith .....	H01R 13/655
				9,373,919 B1 *	6/2016	Smith .....	H01R 13/73
				2011/0290550 A1	12/2011	Kiely	

\* cited by examiner

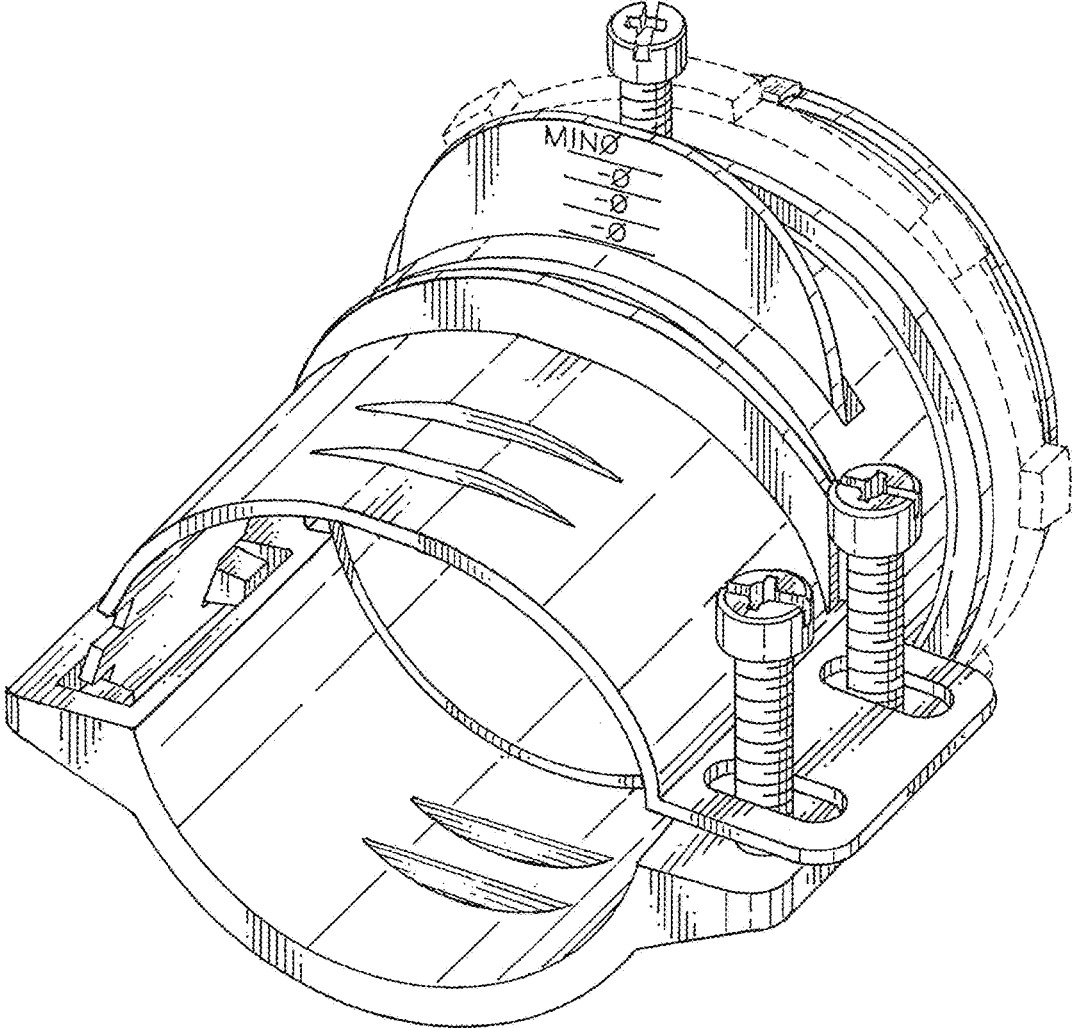


FIG. 1

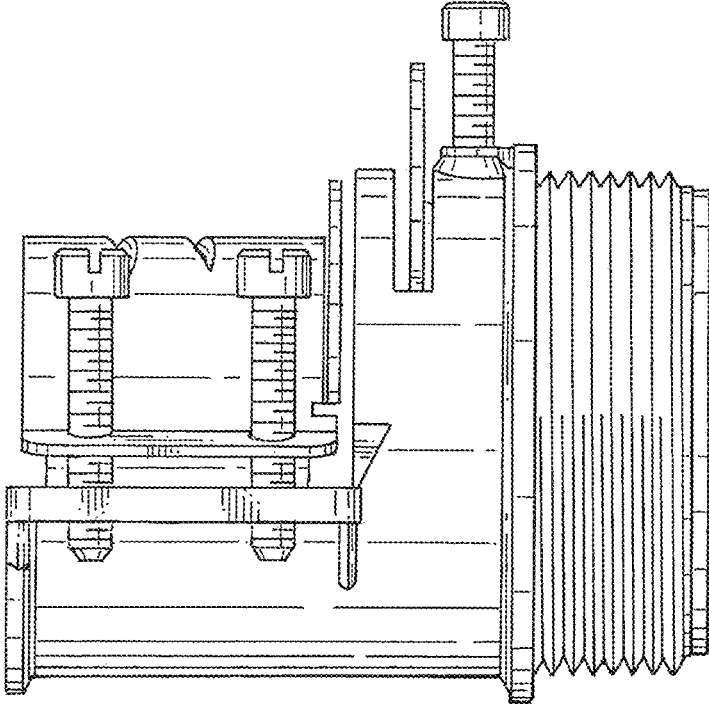


FIG. 2

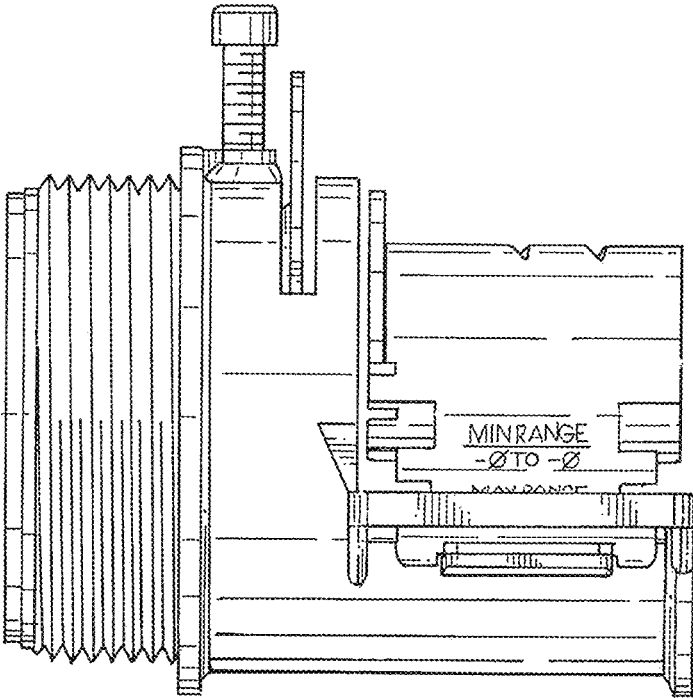


FIG. 3

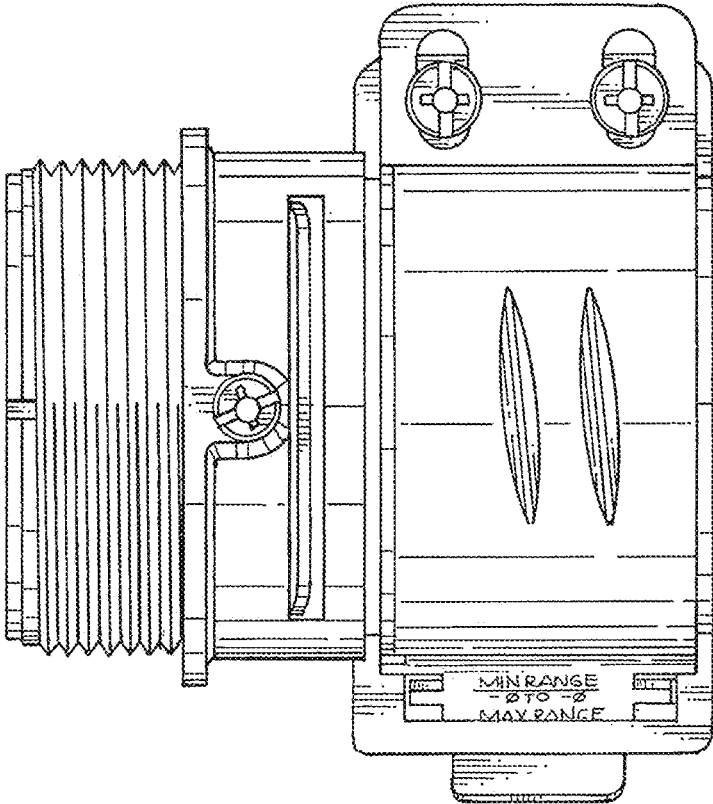


FIG. 4

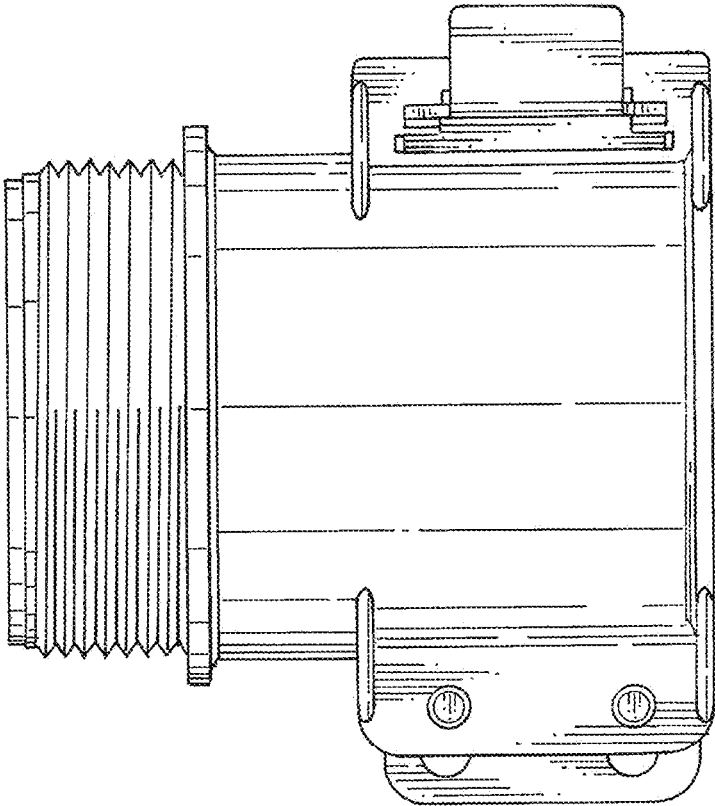
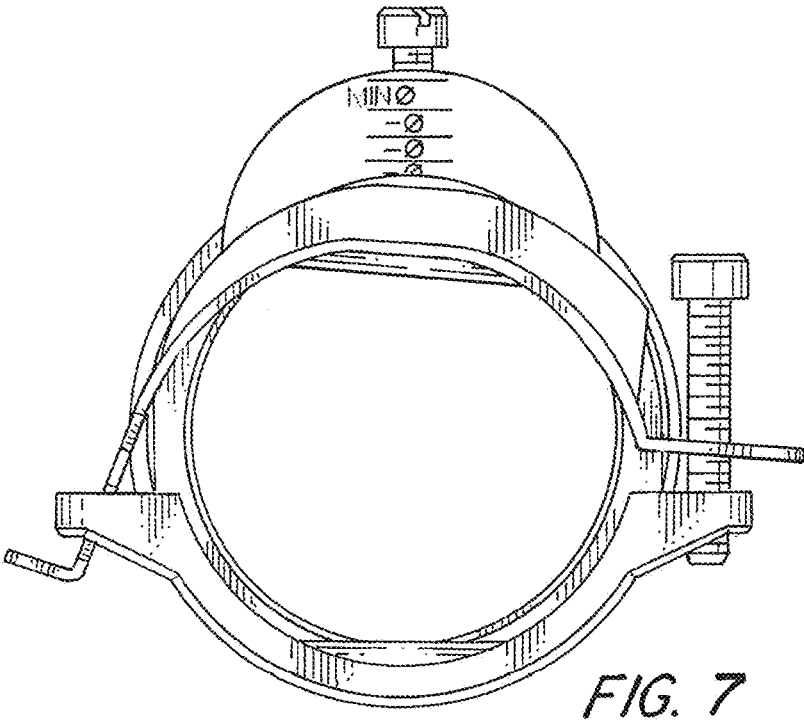
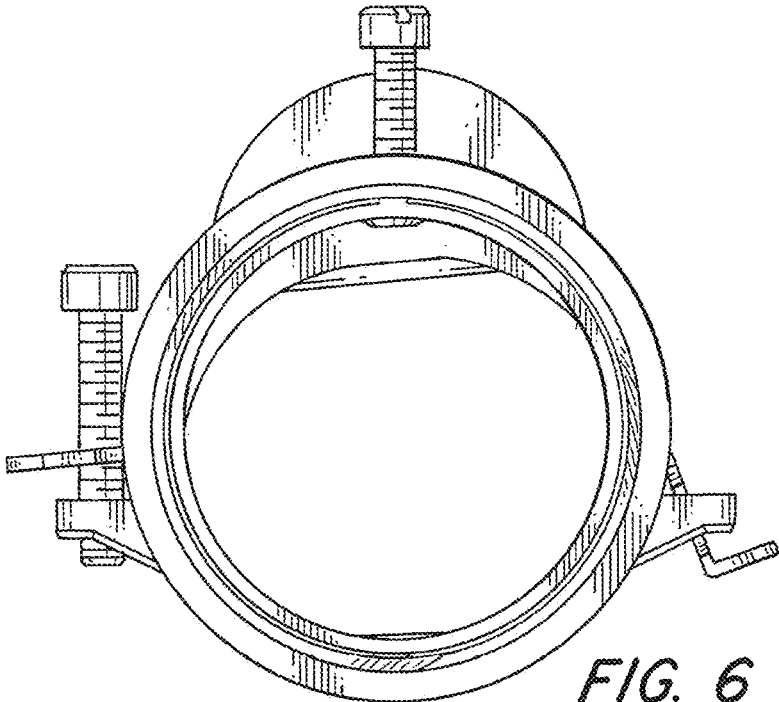


FIG. 5



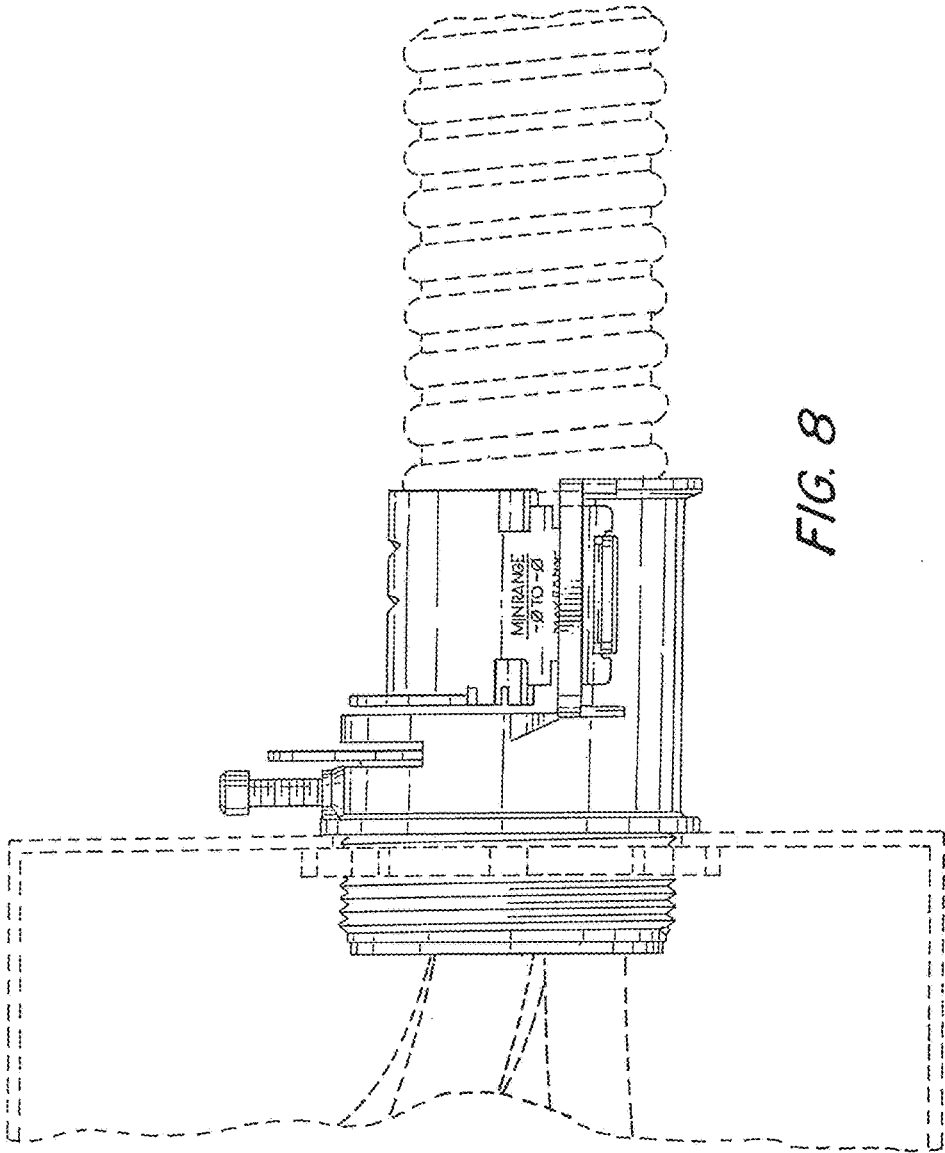


FIG. 8

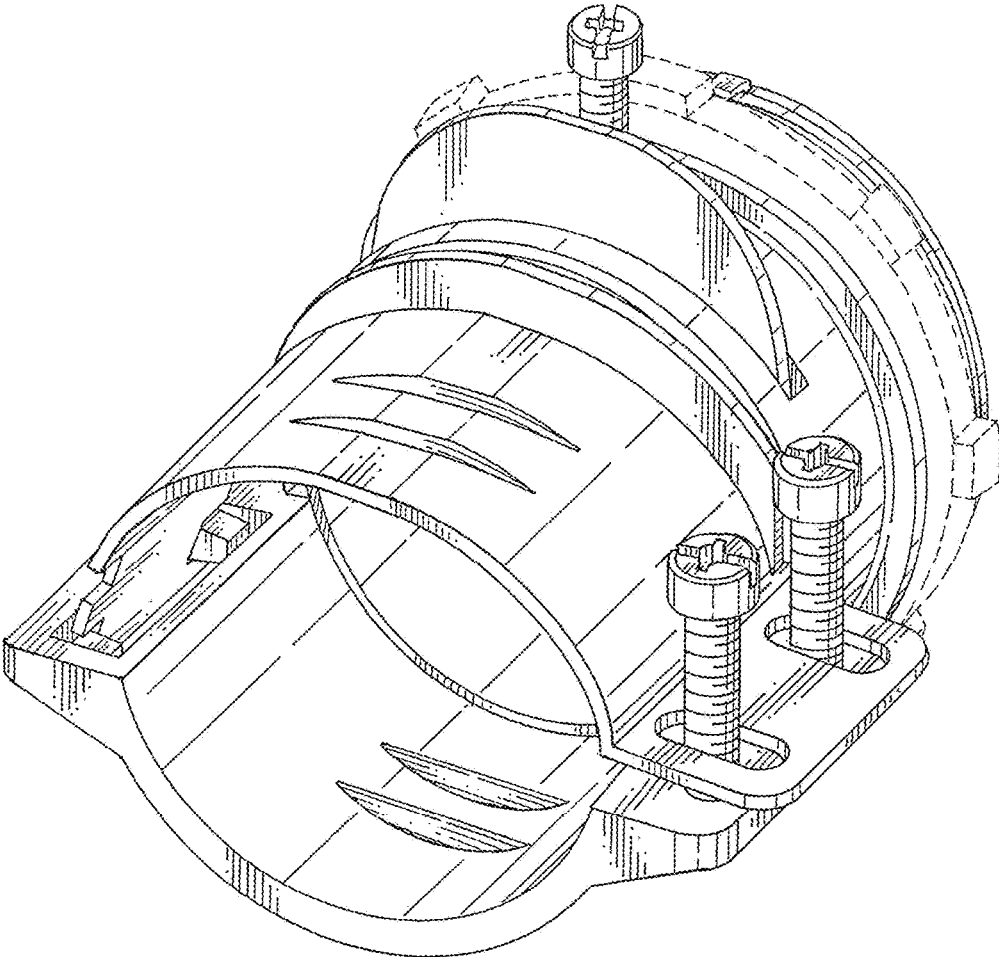


FIG. 9

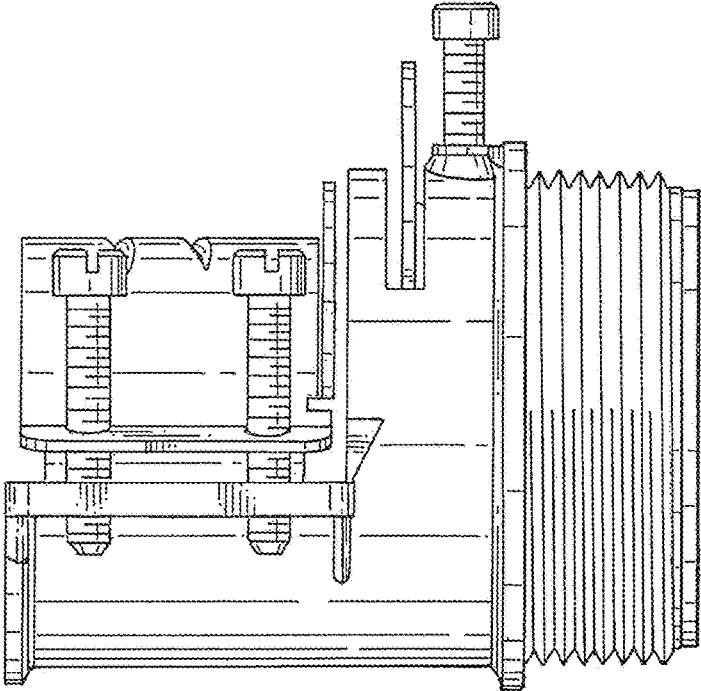


FIG. 10

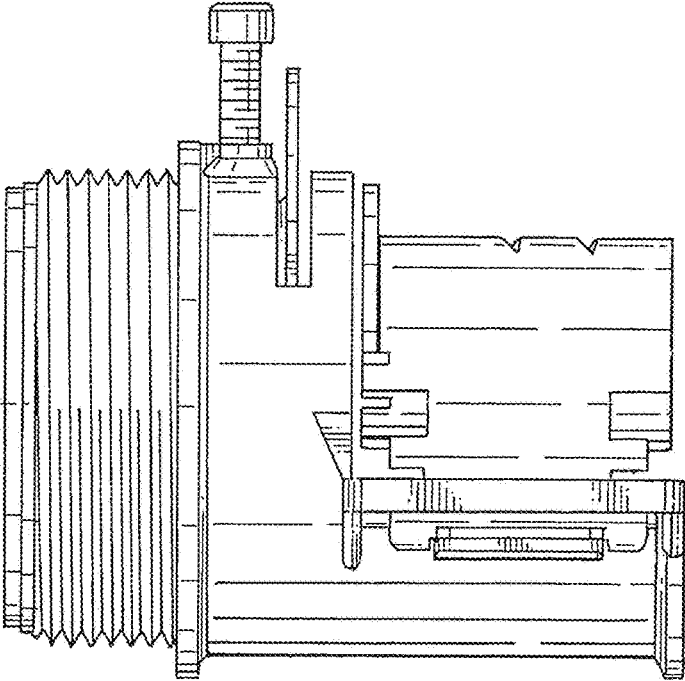


FIG. 11

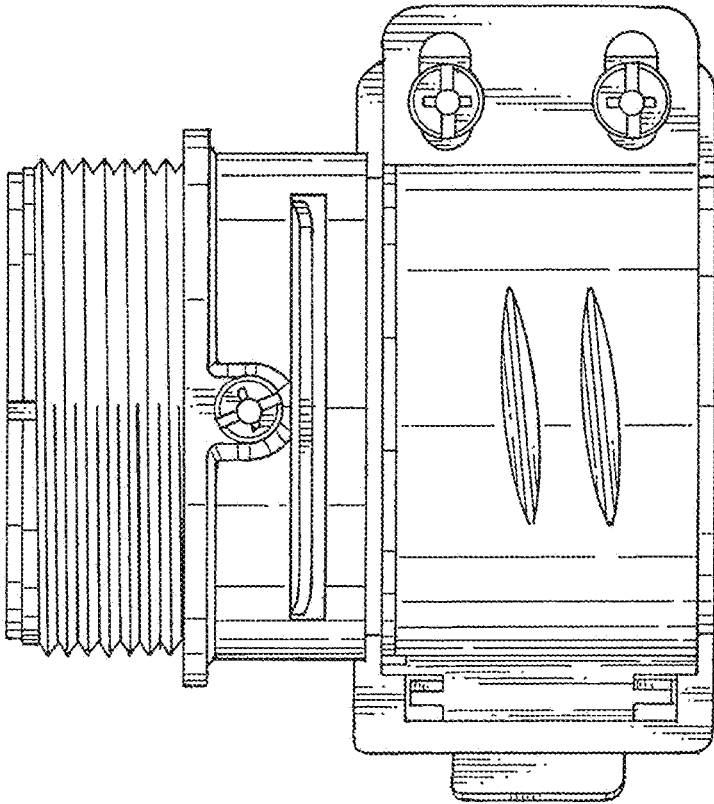


FIG. 12

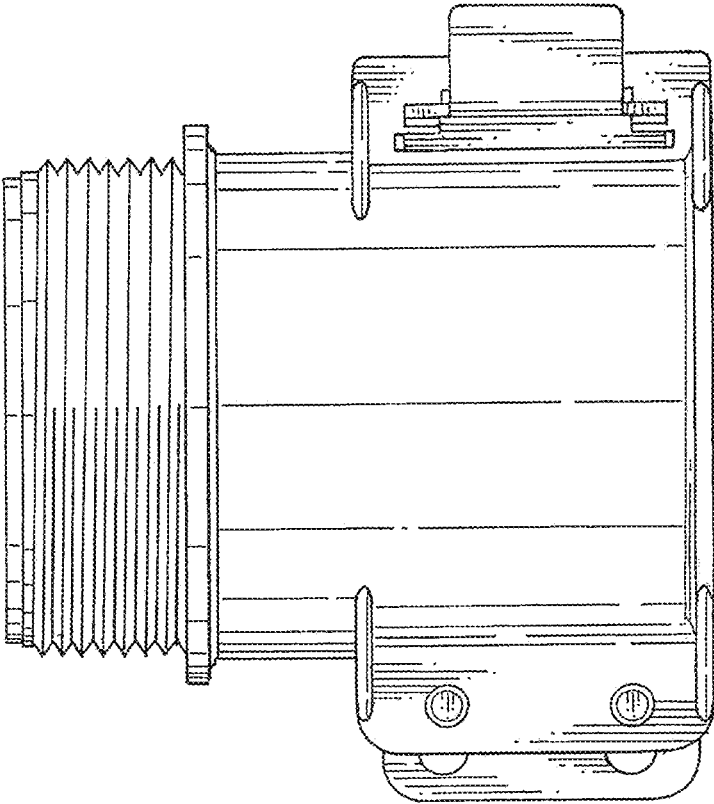
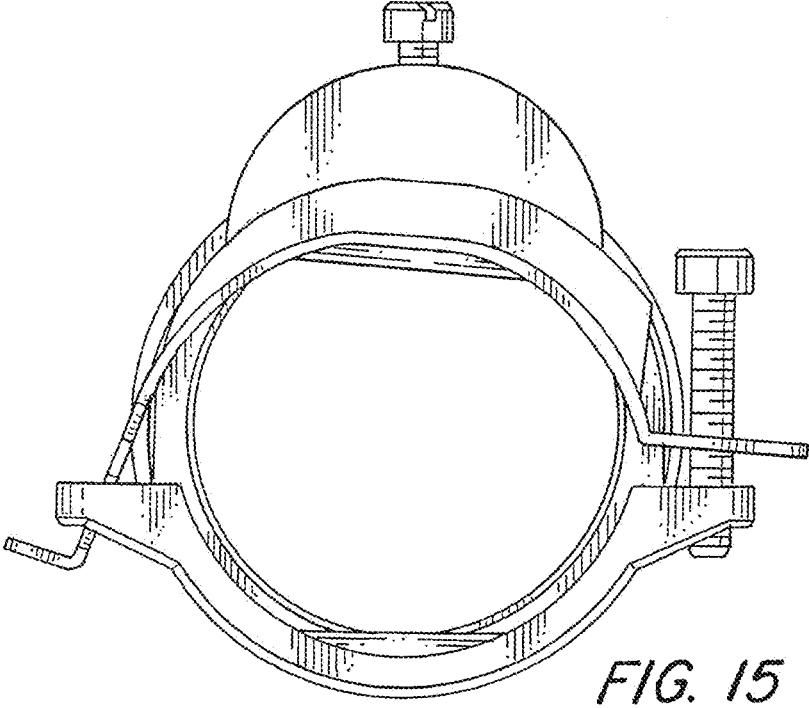
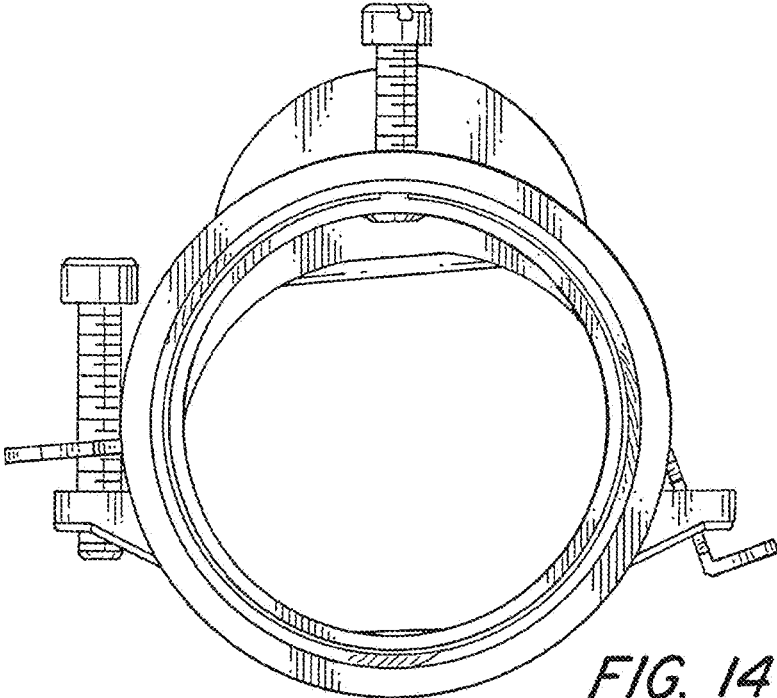


FIG. 13



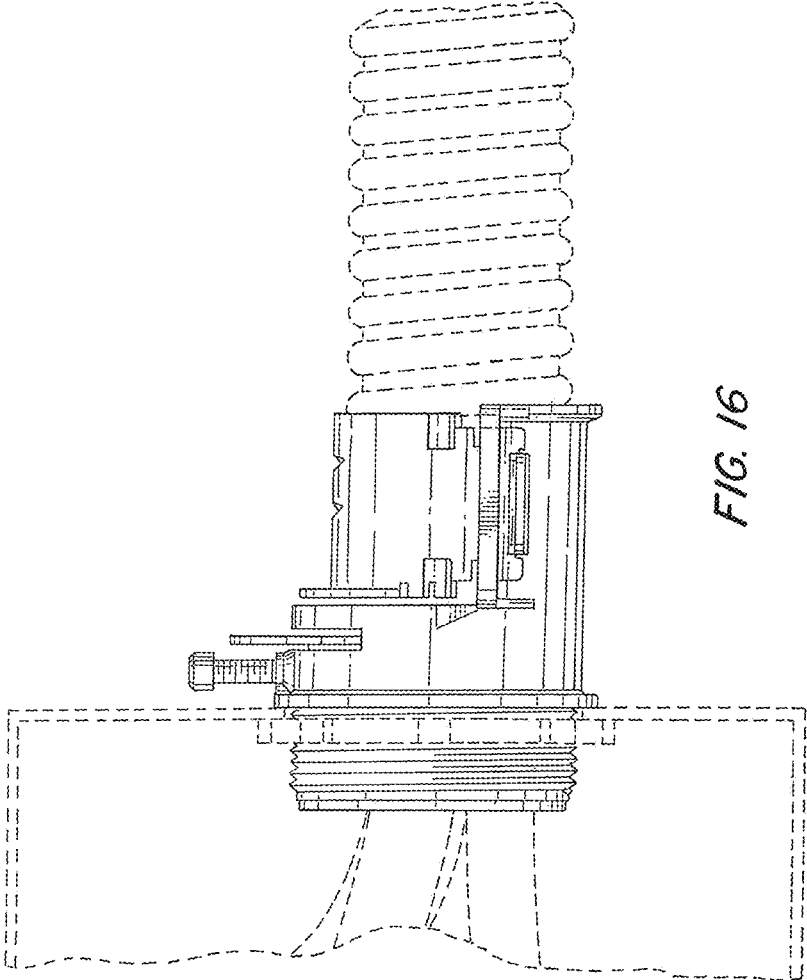


FIG. 16