



US00D913930S

(12) **United States Design Patent**
Mehra et al.

(10) **Patent No.:** **US D913,930 S**

(45) **Date of Patent:** **** Mar. 23, 2021**

(54) **BATTERY COVER**

(71) Applicant: **HUSQVARNA AB**, Huskvarna (SE)

(72) Inventors: **Rajinder Mehra**, Johanneshov (SE);
Nilas Pleje, Hägersten (SE)

(73) Assignee: **HUSQVARNA AB**, Huskvarna (SE)

(**) Term: **15 Years**

(21) Appl. No.: **29/635,733**

(22) Filed: **Feb. 2, 2018**

(30) **Foreign Application Priority Data**

Aug. 4, 2017 (EM) 004134526-0002

Aug. 4, 2017 (EM) 004134526-0005

(51) **LOC (13) CL.** **13-02**

(52) **U.S. CL.**
USPC **D13/120**

(58) **Field of Classification Search**

USPC D13/103-106, 110, 119-121, 184;
D14/341; D26/37

CPC H01M 2/0202; H01M 2/1077; H01M 2/04;
H01M 2/0404; H01M 2/06; H01M
2/1016; H01M 2/1022

See application file for complete search history.

(56) **References Cited**

U.S. PATENT DOCUMENTS

D190,733 S * 6/1961 Becker D13/119
D252,354 S * 7/1979 Uyeda D13/104
D343,841 S 2/1994 Hon et al.
D483,012 S 12/2003 Hsu
D517,987 S * 3/2006 Castagnola D13/103
D562,229 S * 2/2008 Peters D13/103
D621,345 S 8/2010 Tinius
D659,088 S * 5/2012 Steinberg D13/106
D668,516 S * 10/2012 Landberg D8/8

D692,380 S * 10/2013 Tirone D13/119
D698,312 S * 1/2014 Miller D13/119
D714,721 S * 10/2014 Zhang D13/119
D718,705 S * 12/2014 Naksen D13/103

(Continued)

FOREIGN PATENT DOCUMENTS

EP 001870882-0016 A1 5/2011
EP 001870882-0010 A1 6/2011

(Continued)

OTHER PUBLICATIONS

Shindaiwa Industry Co., Ltd, once appeared on the website, HT2200S-600, retrieved from Internet URL: <http://www.shindaiwa.co.jp/product/trimmer/ht2200s/index.html>, pp. 4.

(Continued)

Primary Examiner — Jennifer O King

(74) *Attorney, Agent, or Firm* — Burr & Forman, LLP

(57) **CLAIM**

The ornamental design for the battery cover, as shown and described.

DESCRIPTION

FIG. 1 is a perspective view of a battery cover of the present invention;

FIG. 2 is a top view thereof;

FIG. 3 is a bottom view thereof;

FIG. 4 is a back view thereof;

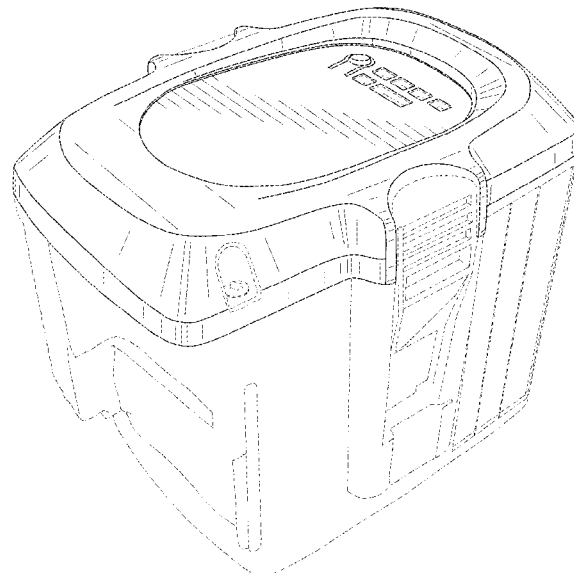
FIG. 5 is a front view thereof;

FIG. 6 is a right side view thereof; and,

FIG. 7 is a left side view thereof.

The broken lines shown on the battery cover represent portions of the battery cover that form no part of the claimed design. The remaining broken lines showing a battery represent environmental structure and forms no part of the claimed design.

1 Claim, 7 Drawing Sheets



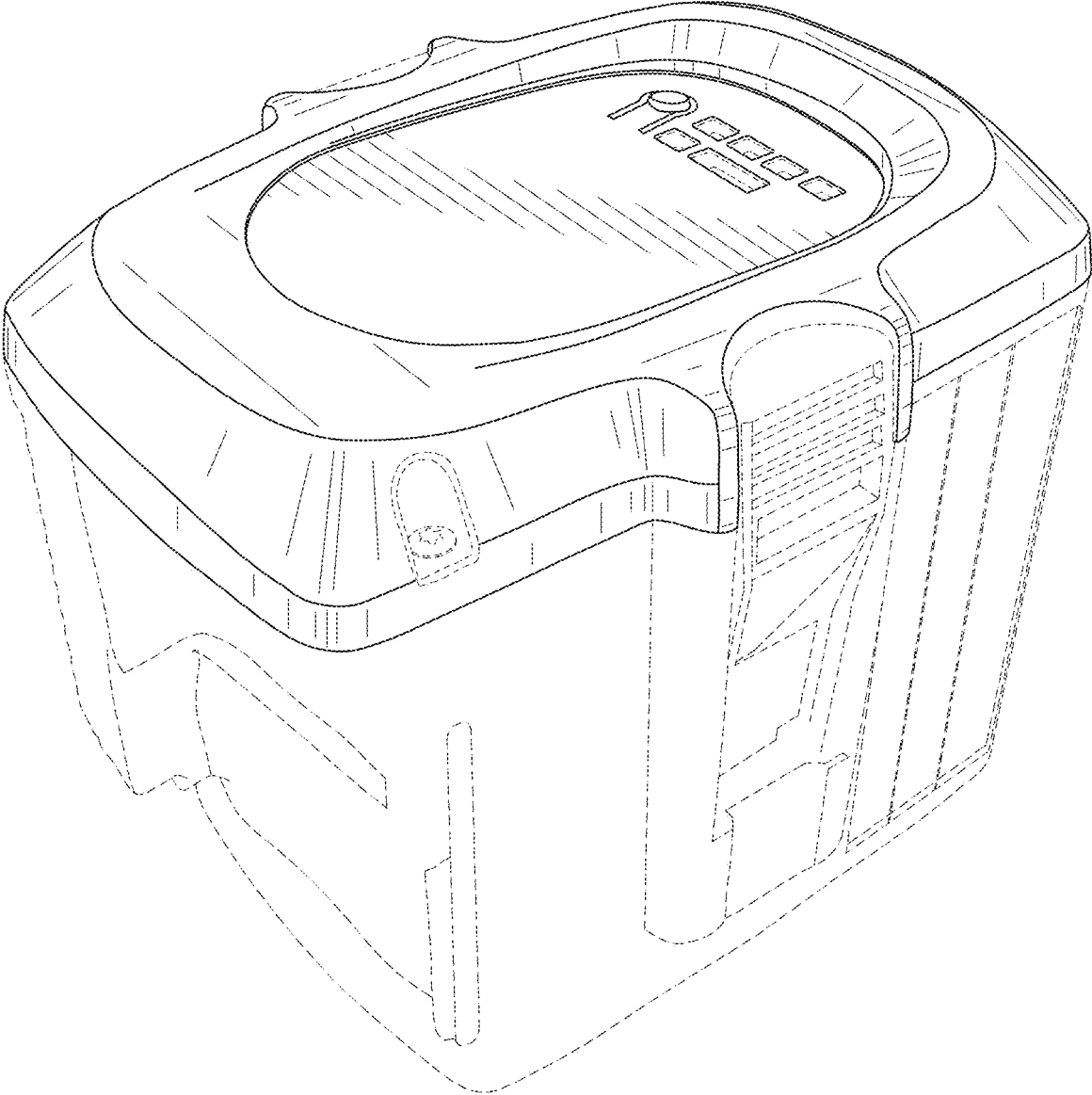


FIG. 1

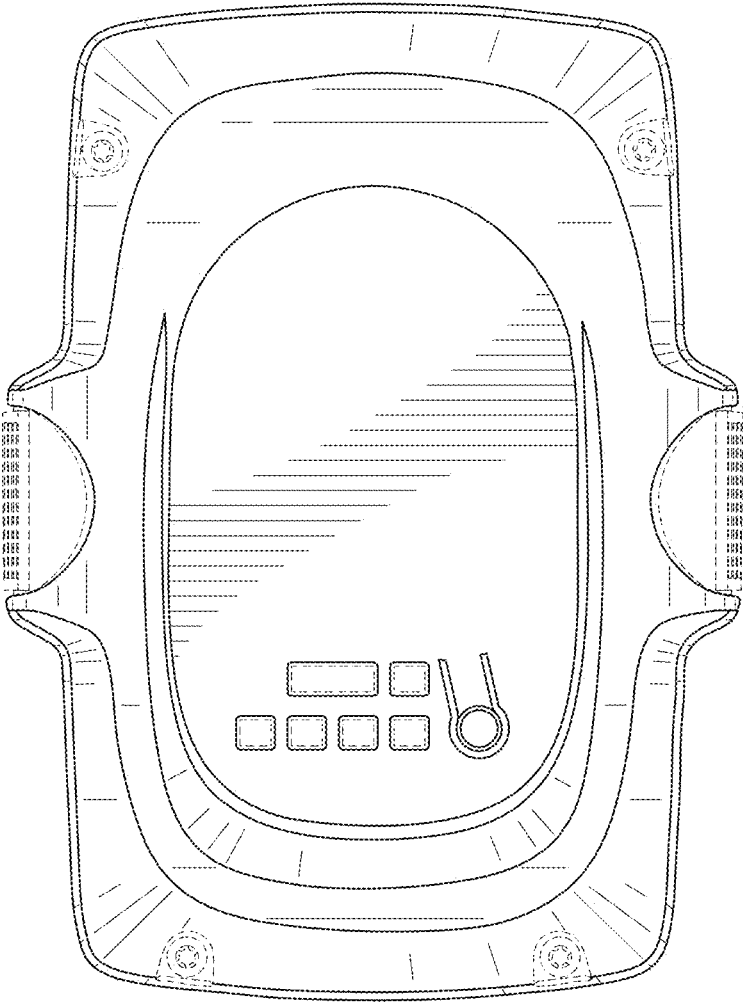


FIG. 2

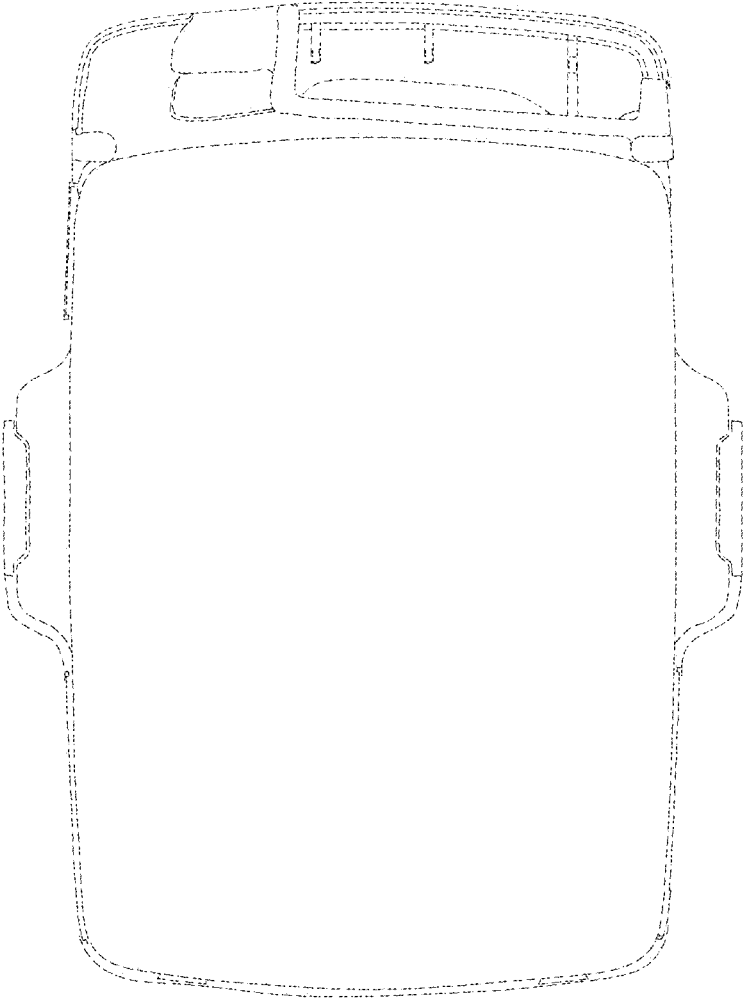


FIG. 3

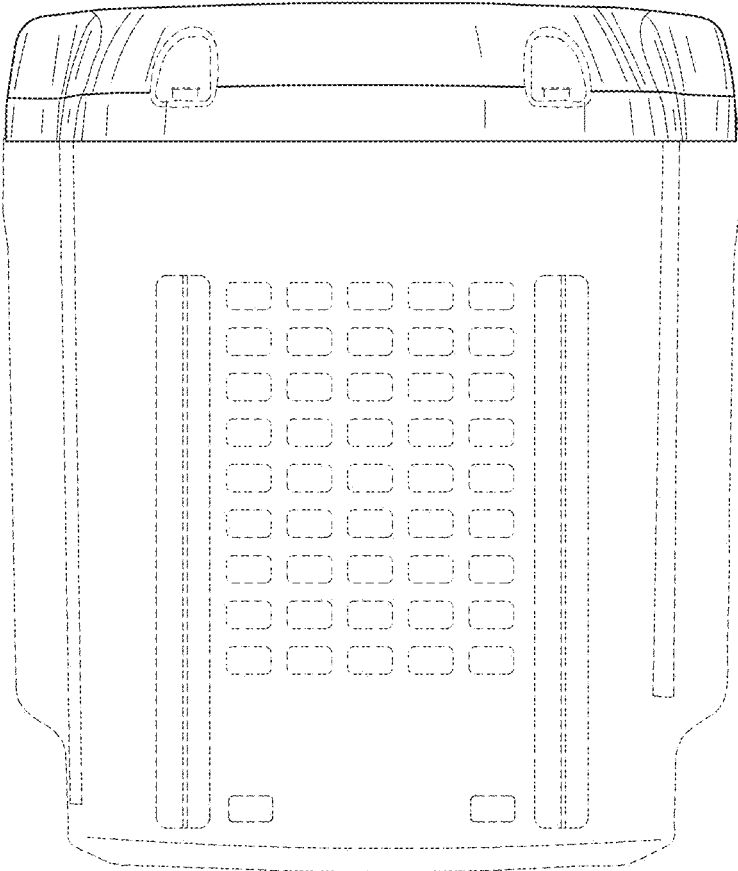


FIG. 4

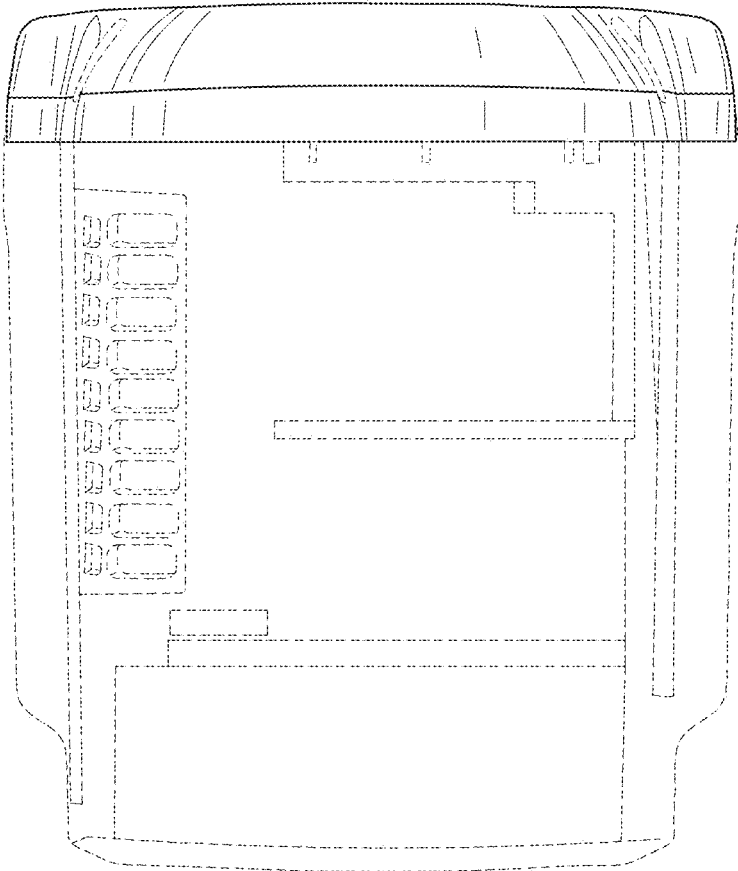


FIG. 5

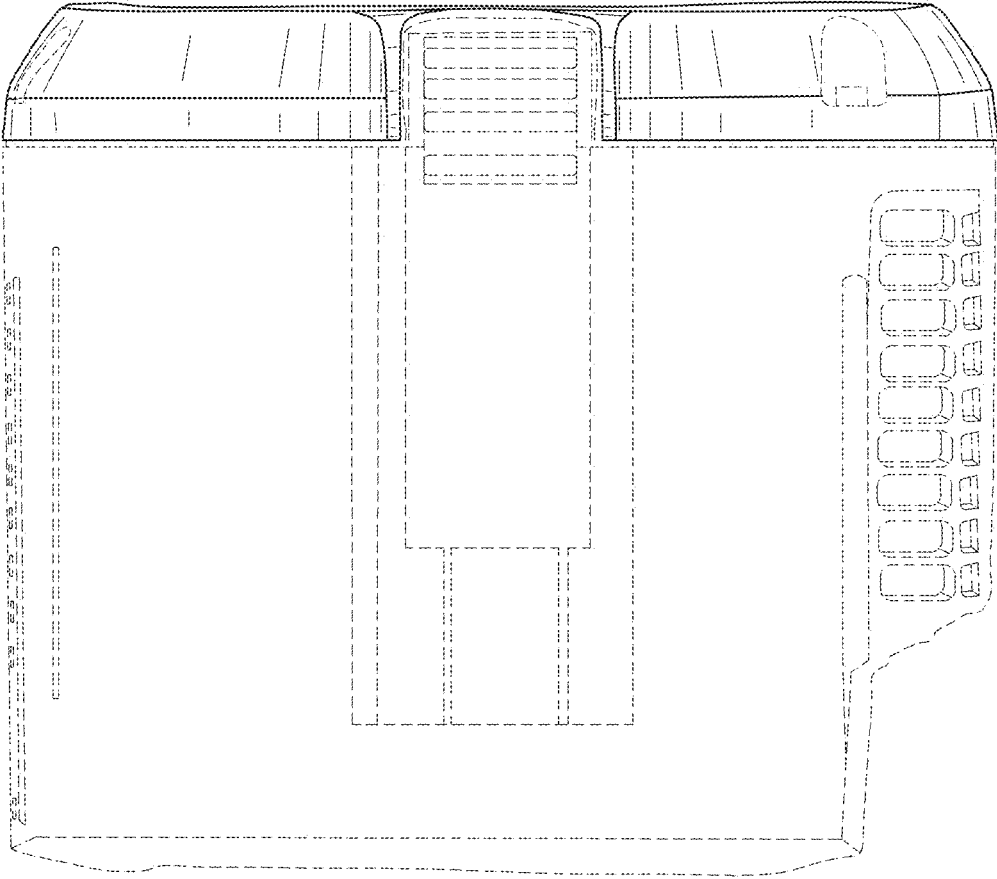


FIG. 6

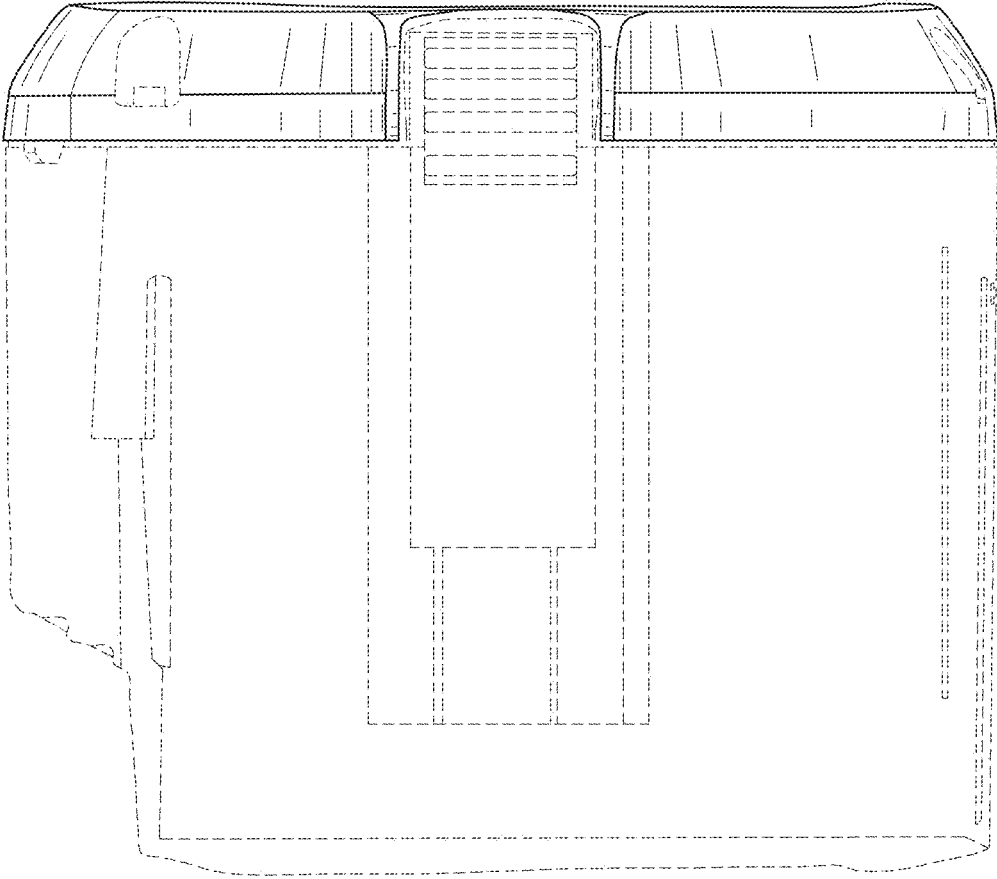


FIG. 7