



US00D524234S

(12) **United States Design Patent**
Schmalix et al.

(10) **Patent No.:** **US D524,234 S**

(45) **Date of Patent:** **** Jul. 4, 2006**

(54) **TIRE TREAD**

(75) Inventors: **Charles Kenneth Schmalix**, Canal
Fulton, OH (US); **Eric Matthew
Luecke**, Doylestown, OH (US); **Jeremy
Edward Whisner**, Akron, OH (US);
Jerry Christos Candiliotis, Uniontown,
OH (US)

(73) Assignee: **The Goodyear Tire & Rubber
Company**, Akron, OH (US)

(**) Term: **14 Years**

(21) Appl. No.: **29/241,535**

(22) Filed: **Oct. 28, 2005**

(51) **LOC (8) Cl.** **12-15**

(52) **U.S. Cl.** **D12/521**

(58) **Field of Classification Search** D12/505,
D12/509, 512, 514-524, 526-532; 152/209.1,
152/209.8, 455

See application file for complete search history.

(56) **References Cited**

U.S. PATENT DOCUMENTS

6,439,286	B1	*	8/2002	Baumhofer et al.	152/209.8
D483,004	S	*	12/2003	Schomburg et al.	D12/518
D490,046	S	*	5/2004	Fukunaga	D12/521
D502,911	S	*	3/2005	Sato	D12/531

OTHER PUBLICATIONS

Dean Wildcat Radial A/T Tire. 2004 Tread Design Guide,
Jan. 2004, p. 19. 2/2.*

Kumho I'Zen XW KW17 Tire. 2004 Tread Design Guide,
Jan. 2004, p. 35. 1/1.*

Marshal I'Zen KW15 Tire. 2004 Tread Design Guide, Jan.
2004, p. 37. 3/3.*

* cited by examiner

Primary Examiner—Robert M. Spear

(74) *Attorney, Agent, or Firm*—Richard B. O'Planick

(57) **CLAIM**

The ornamental design for a tire tread, as shown and
described.

DESCRIPTION

FIG. 1 is a perspective view of a tire tread showing our new
design, it being understood that the pattern repeats uni-
formly throughout the circumference of the tread;

FIG. 2 is a front elevational view thereof;

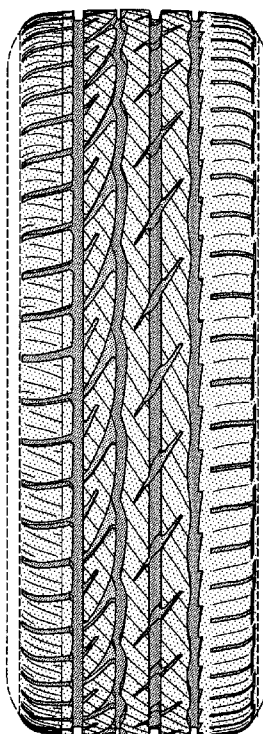
FIG. 3 is a right side elevational view thereof;

FIG. 4 is a left side elevational view thereof; and,

FIG. 5 is an enlarged fragmentary front elevational view
thereof.

In the drawings, the broken lines defining the sidewall, inner
bead and the peripheral boundary between the tire tread and
the sidewall in FIGS. 1 through 5 are for illustrative pur-
poses only and form no part of the claimed design.

1 Claim, 5 Drawing Sheets



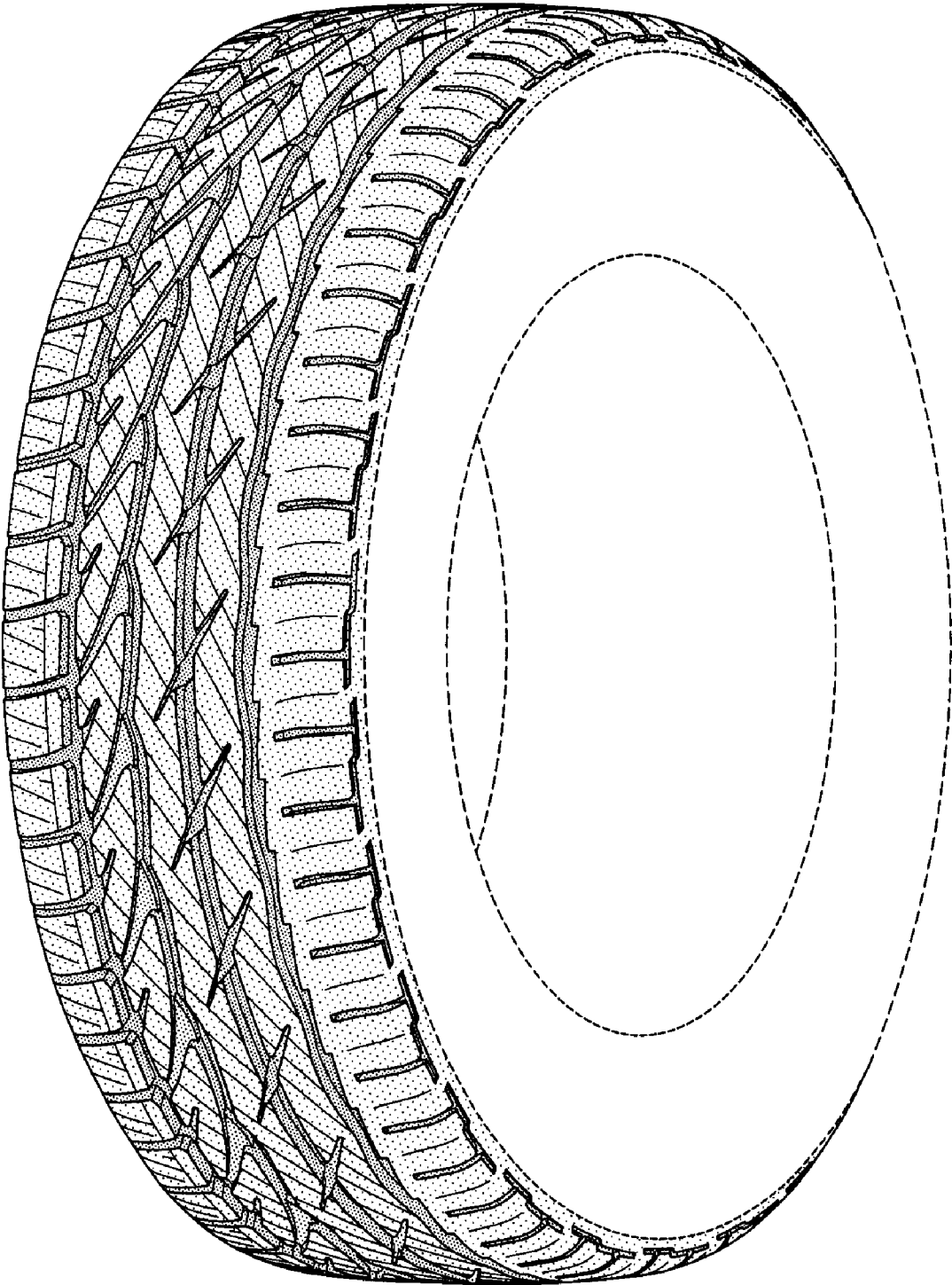


FIG-1

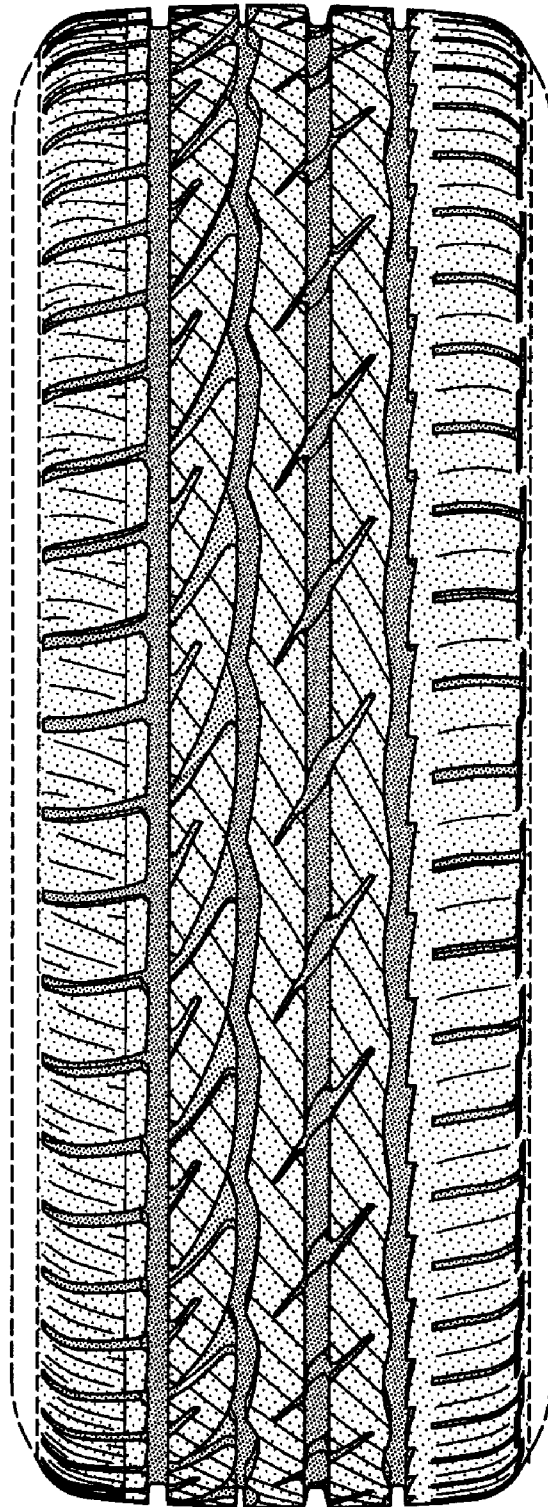


FIG-2

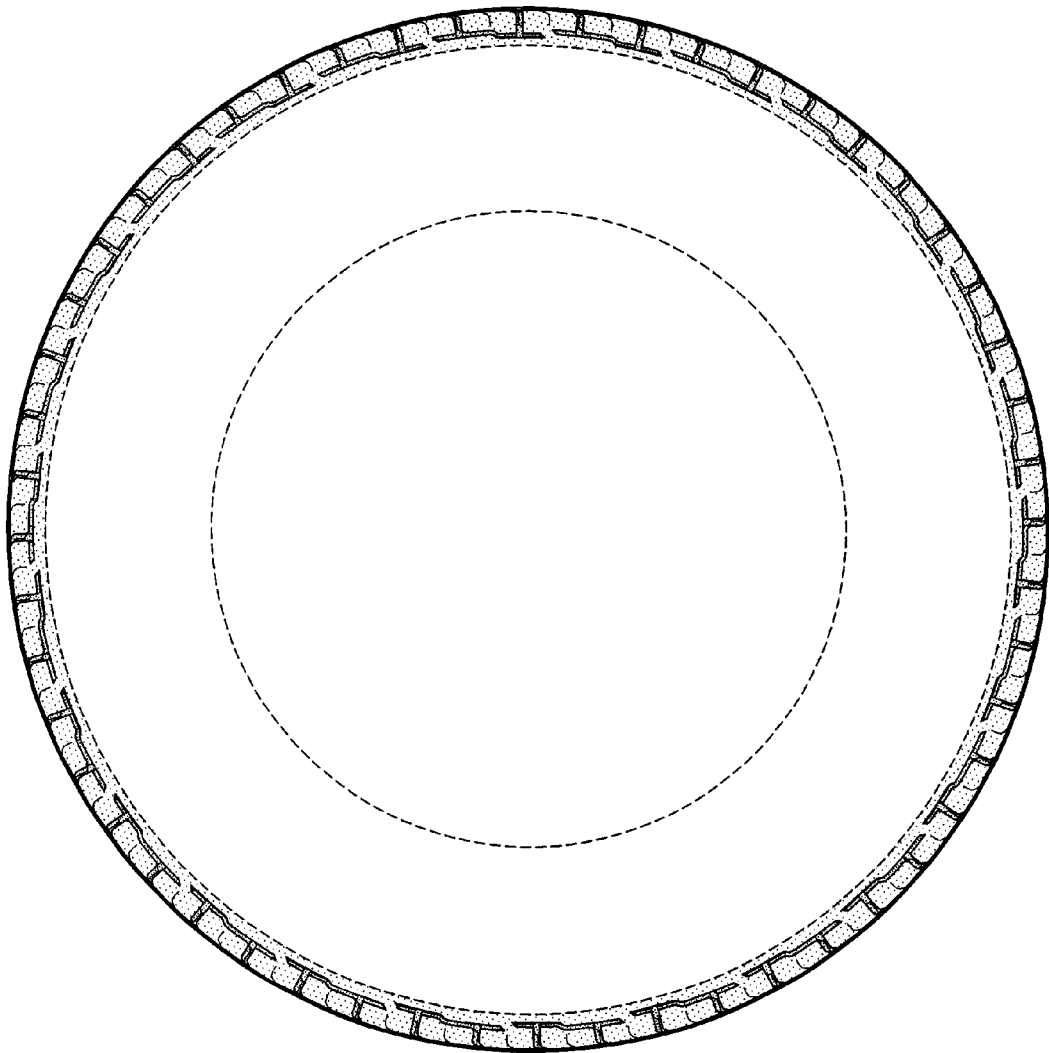


FIG-3

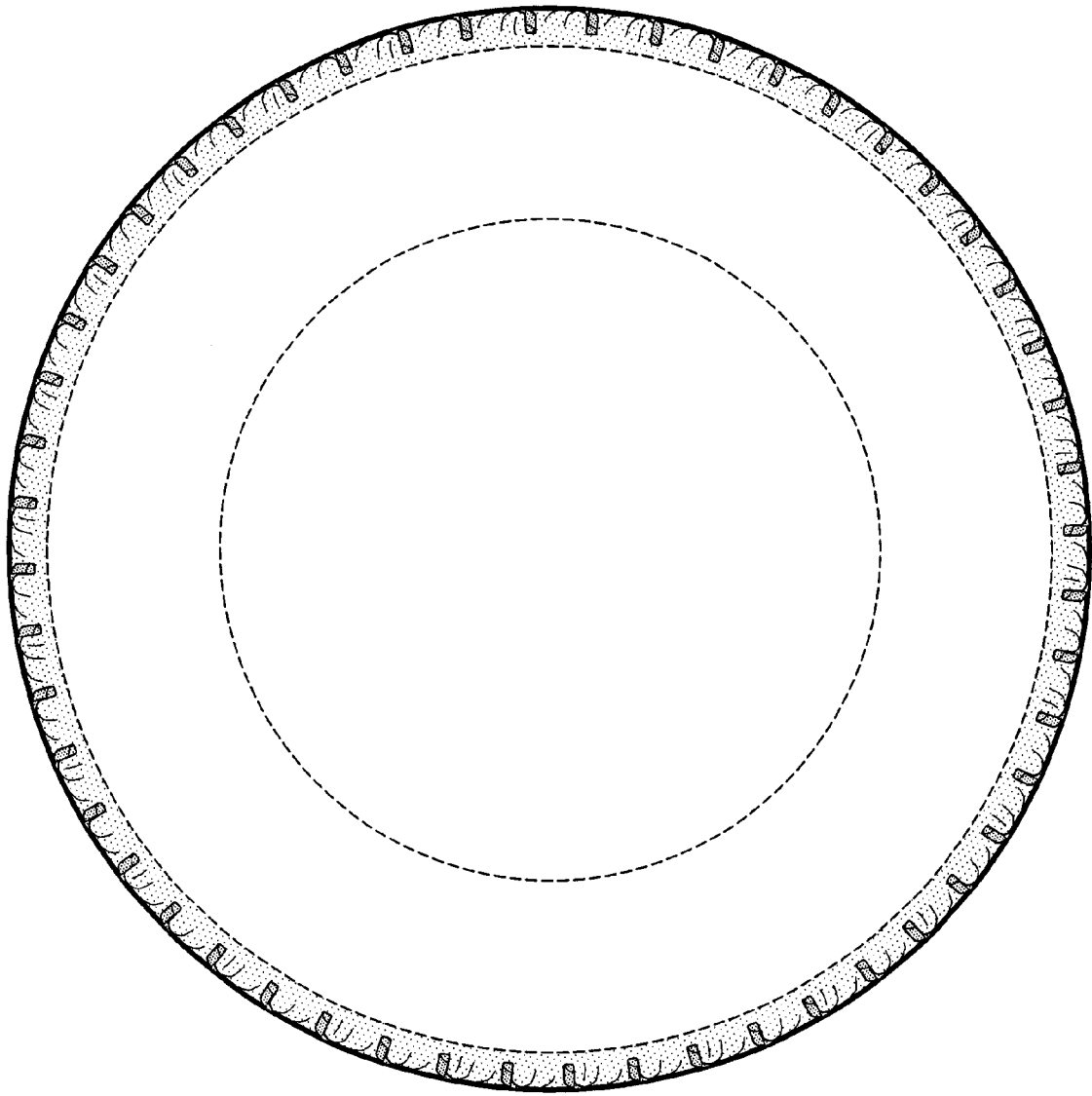


FIG-4

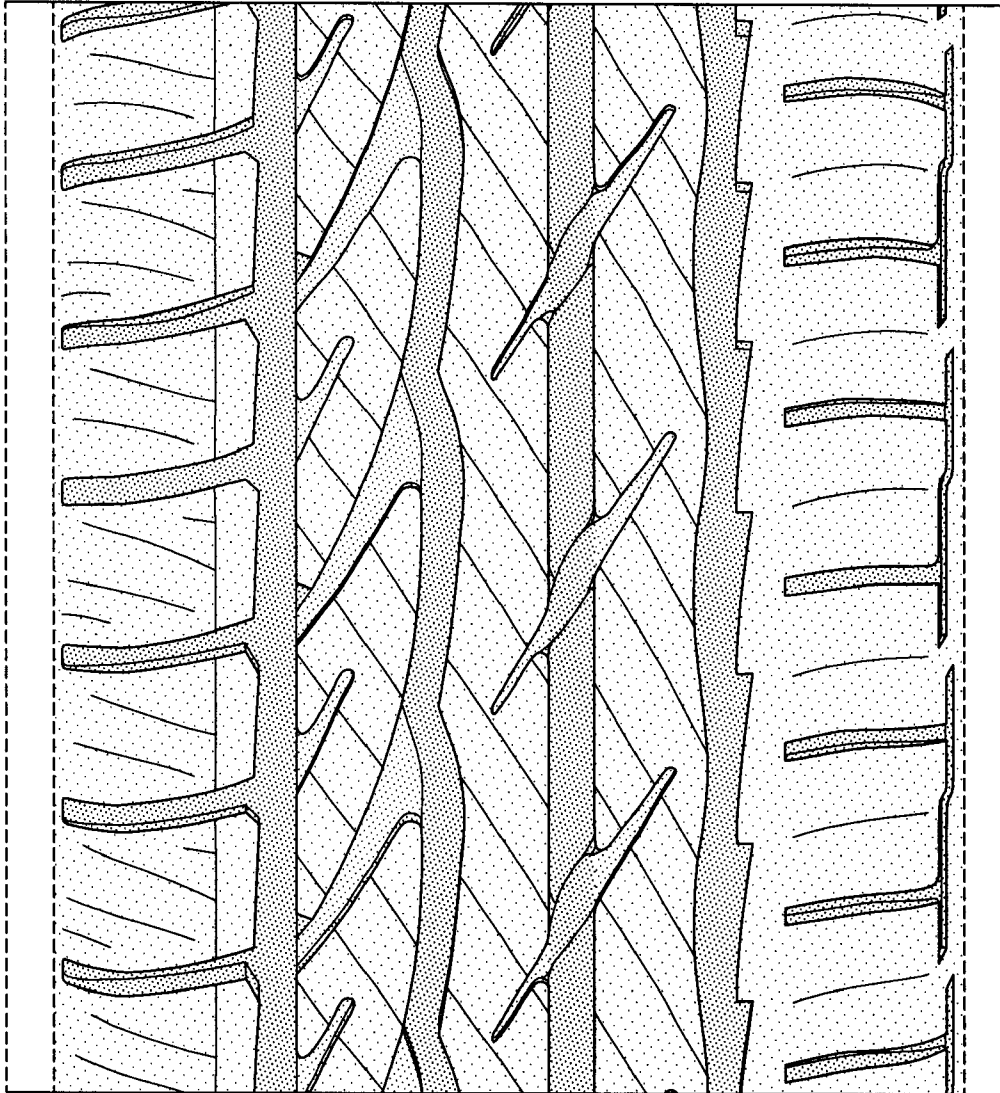


FIG-5