



US00D522110S

(12) **United States Design Patent**
Lanius

(10) **Patent No.:** **US D522,110 S**

(45) **Date of Patent:** **** May 30, 2006**

(54) **PLUMBING ENCLOSURE**

(75) Inventor: **Jason T. Lanius**, Sheboygan, WI (US)

(73) Assignee: **Kohler Co.**, Kohler, WI (US)

(**) Term: **14 Years**

(21) Appl. No.: **29/197,355**

(22) Filed: **Jan. 14, 2004**

(51) **LOC (8) Cl.** **23-02**

(52) **U.S. Cl.** **D23/283**

(58) **Field of Classification Search** D23/273,
D23/275, 283, 303-304; 4/596-597, 612,
4/614, DIG. 15

See application file for complete search history.

(56) **References Cited**

U.S. PATENT DOCUMENTS

D345,783 S * 4/1994 Kohler, Jr. D23/275
D379,649 S * 6/1997 Eeckhoudt D23/283

OTHER PUBLICATIONS

1993 Sterling catalog ad, p. 17, showing a shower enclosure with a neo-angle base.
Undated Swan catalog ad showing a shower enclosure with a neo-angle base.
Undated Eljar catalog ad, p. 1.47, showing a "Capelli" neo-angle shower.
1993 Sterling catalog ad, p. 10, showing a neo-angle shower.

2000 Kohler catalog ad, p. 10.19, showing a K-9542 "Memoirs" receptor.

2002 Kohler catalog ad, p. 9.29, showing a "Devonshire" bath.

* cited by examiner

Primary Examiner—Robert A. Delehanty

(74) *Attorney, Agent, or Firm*—Quarles & Brady LLP

(57) **CLAIM**

The ornamental design for a plumbing enclosure, as shown and described.

DESCRIPTION

In a preferred embodiment, the nature of this product is as a plumbing fixture in the form of a shower enclosure which is primarily useful for washing the body parts of humans.

FIG. 1 is a right, top, front perspective view of a plumbing enclosure embodying my new design;

FIG. 2 is a front elevational view thereof;

FIG. 3 is a right side elevational view thereof;

FIG. 4 is a top plan view thereof;

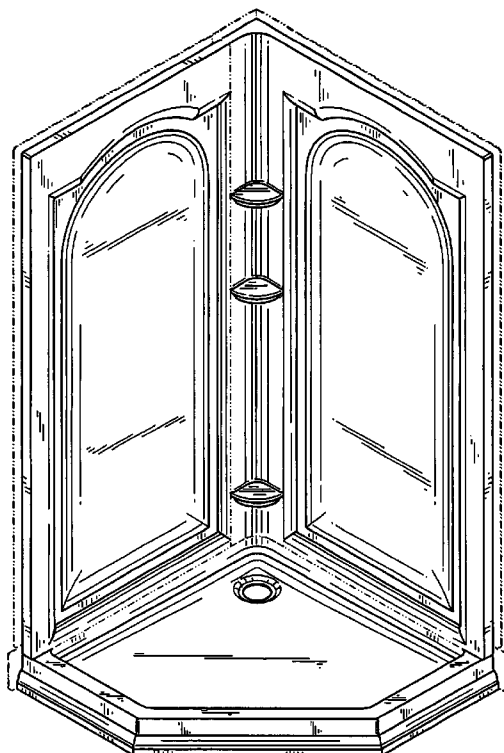
FIG. 5 is a left side elevational view thereof;

FIG. 6 is a rear elevational view thereof; and,

FIG. 7 is a bottom plan view thereof.

The broken line representations of a flange in FIGS. 1-4 and 7, and of seams in FIGS. 1 and 3, are for the purpose of illustration only, and form no part of the claimed design.

1 Claim, 6 Drawing Sheets



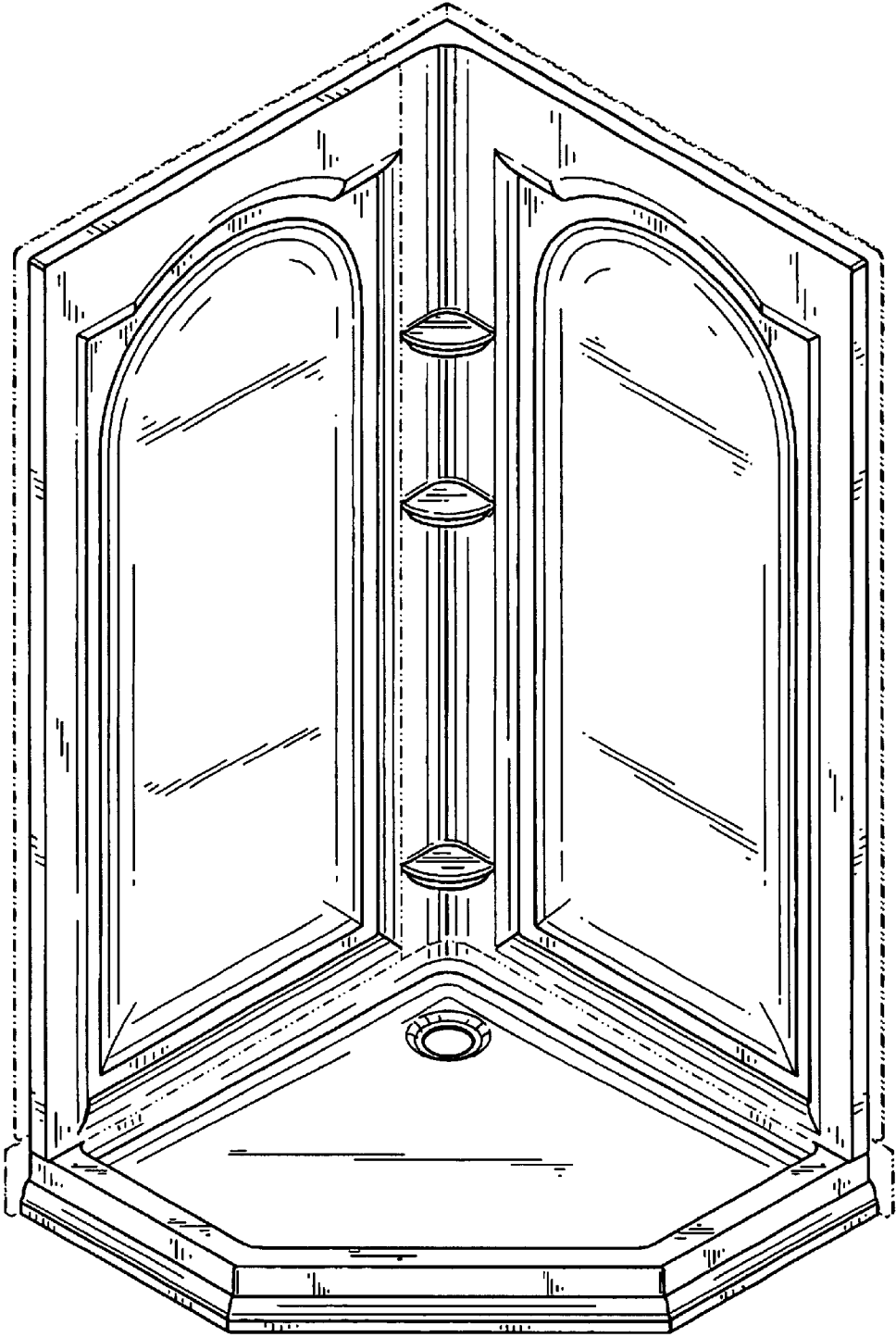


FIG. 1

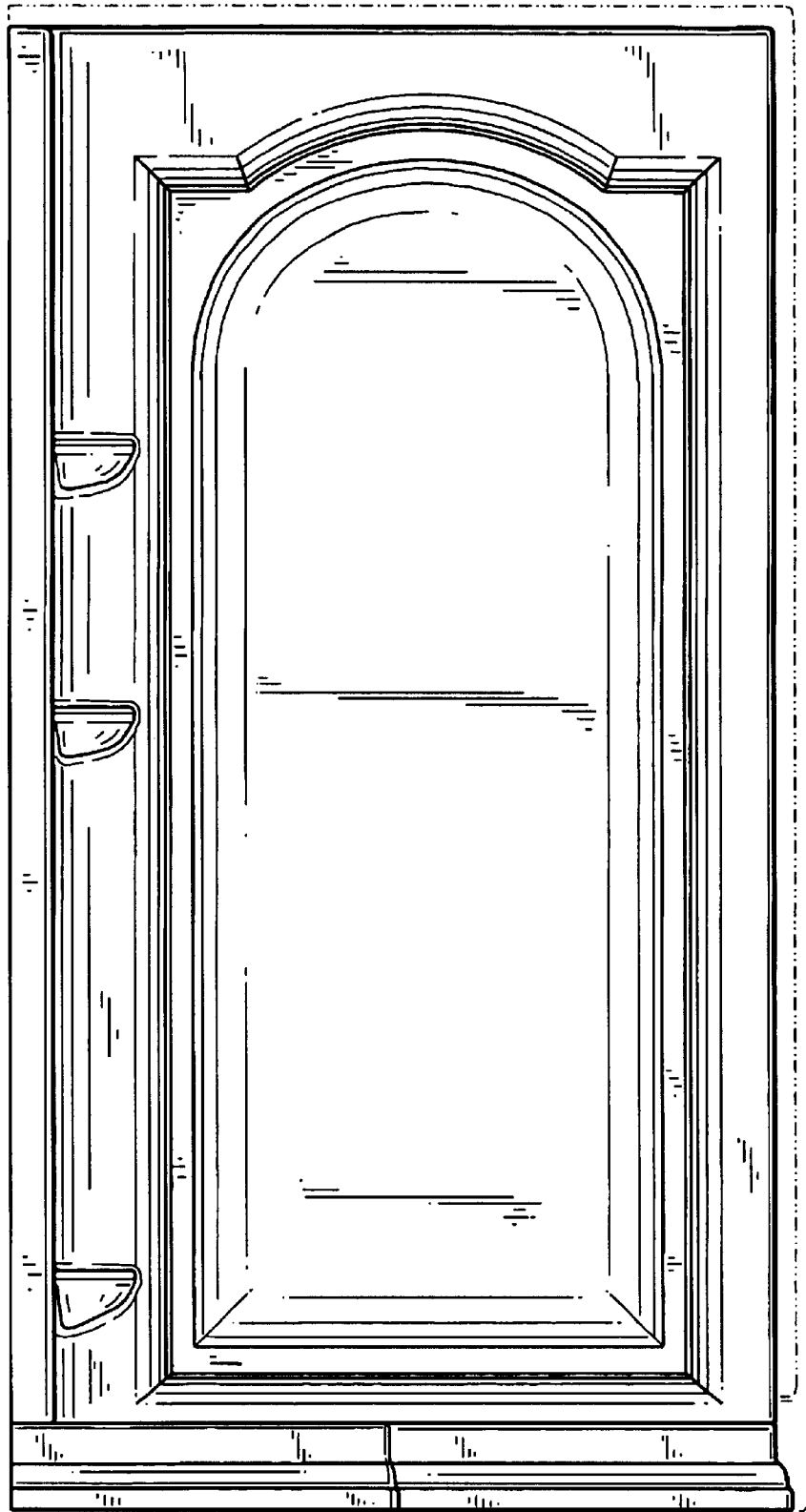


FIG. 2

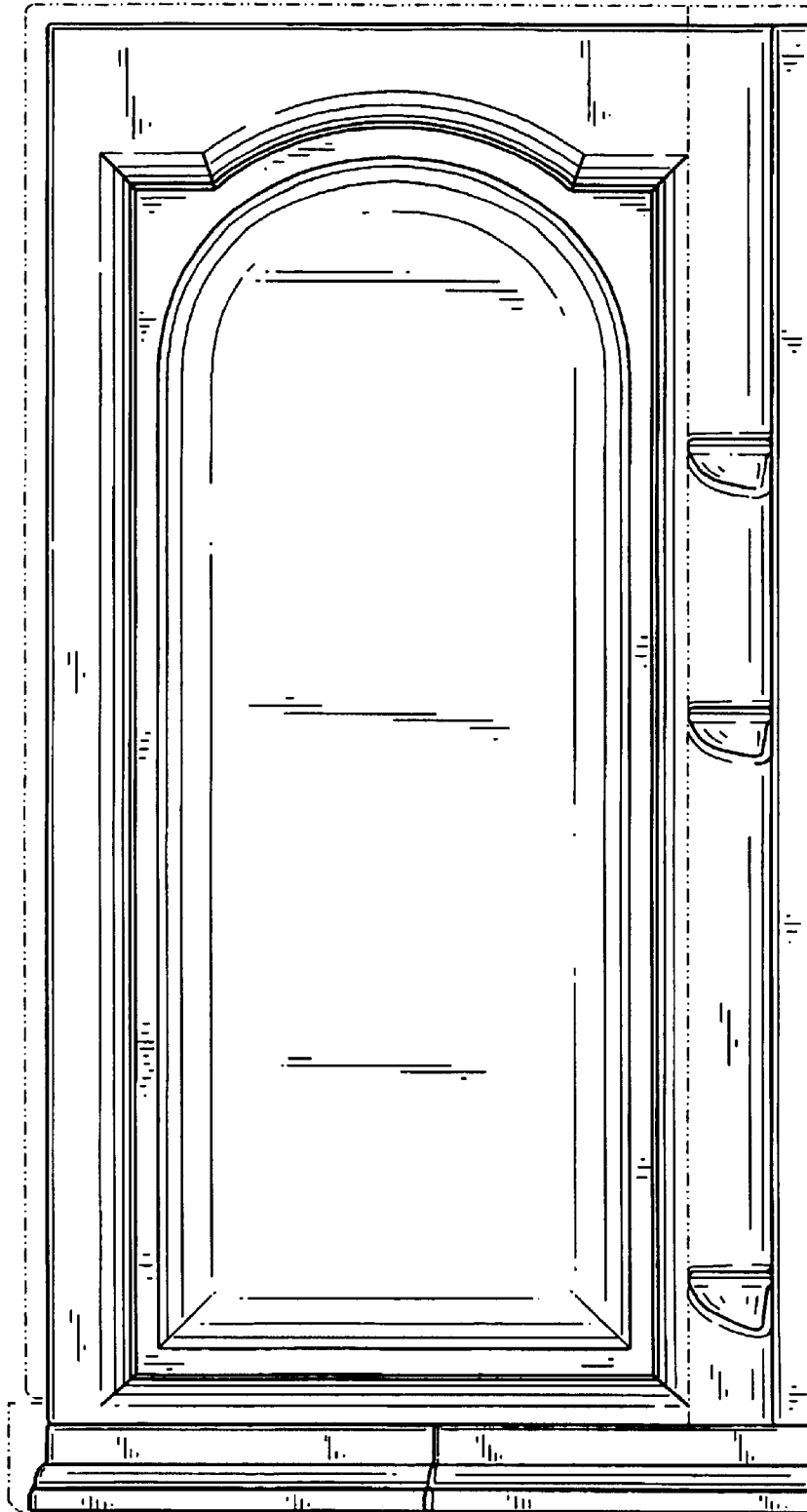


FIG. 3

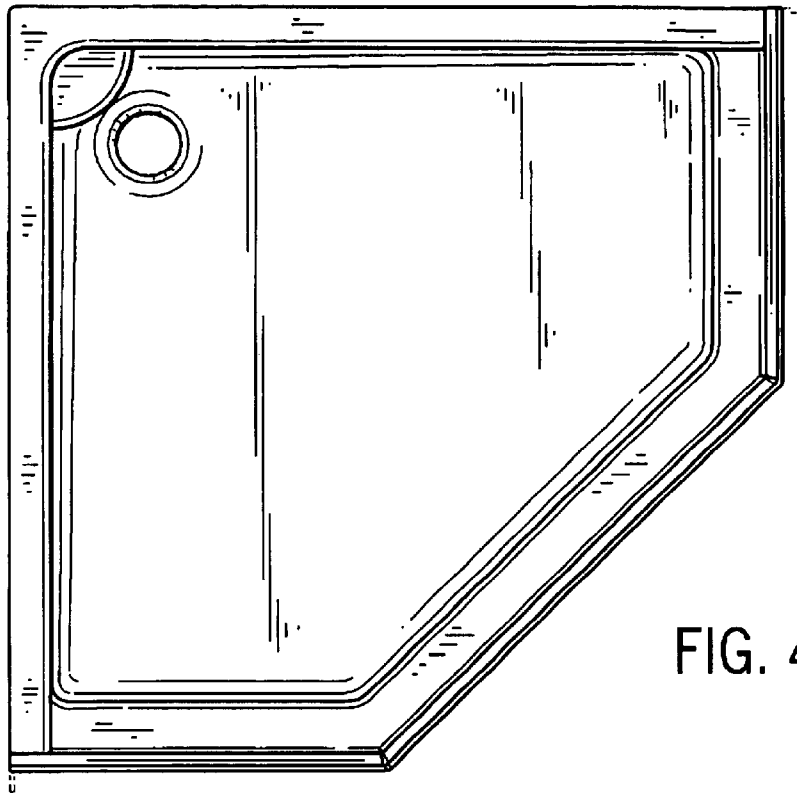


FIG. 4

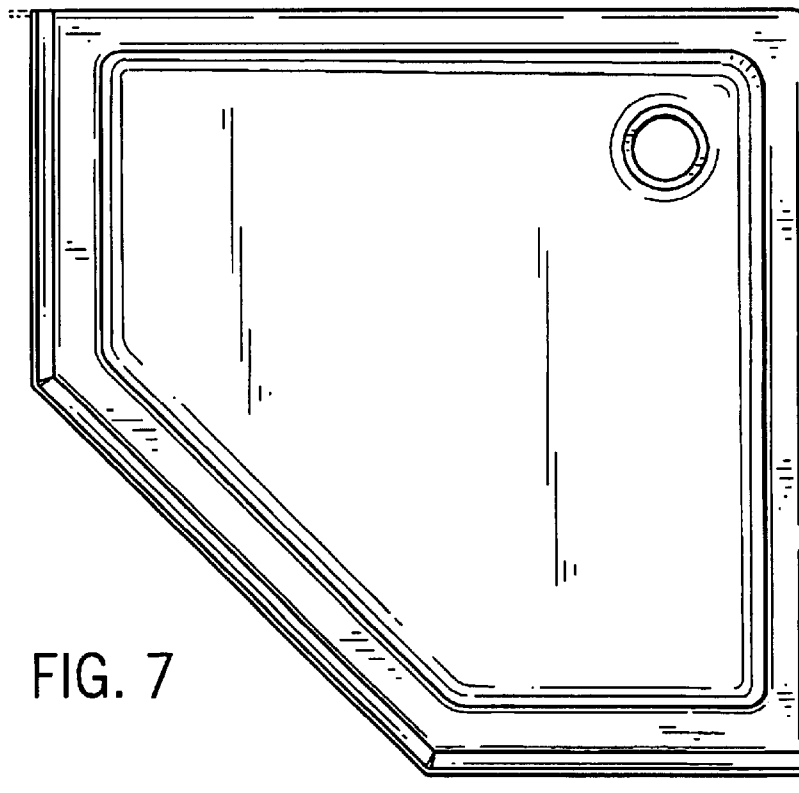


FIG. 7

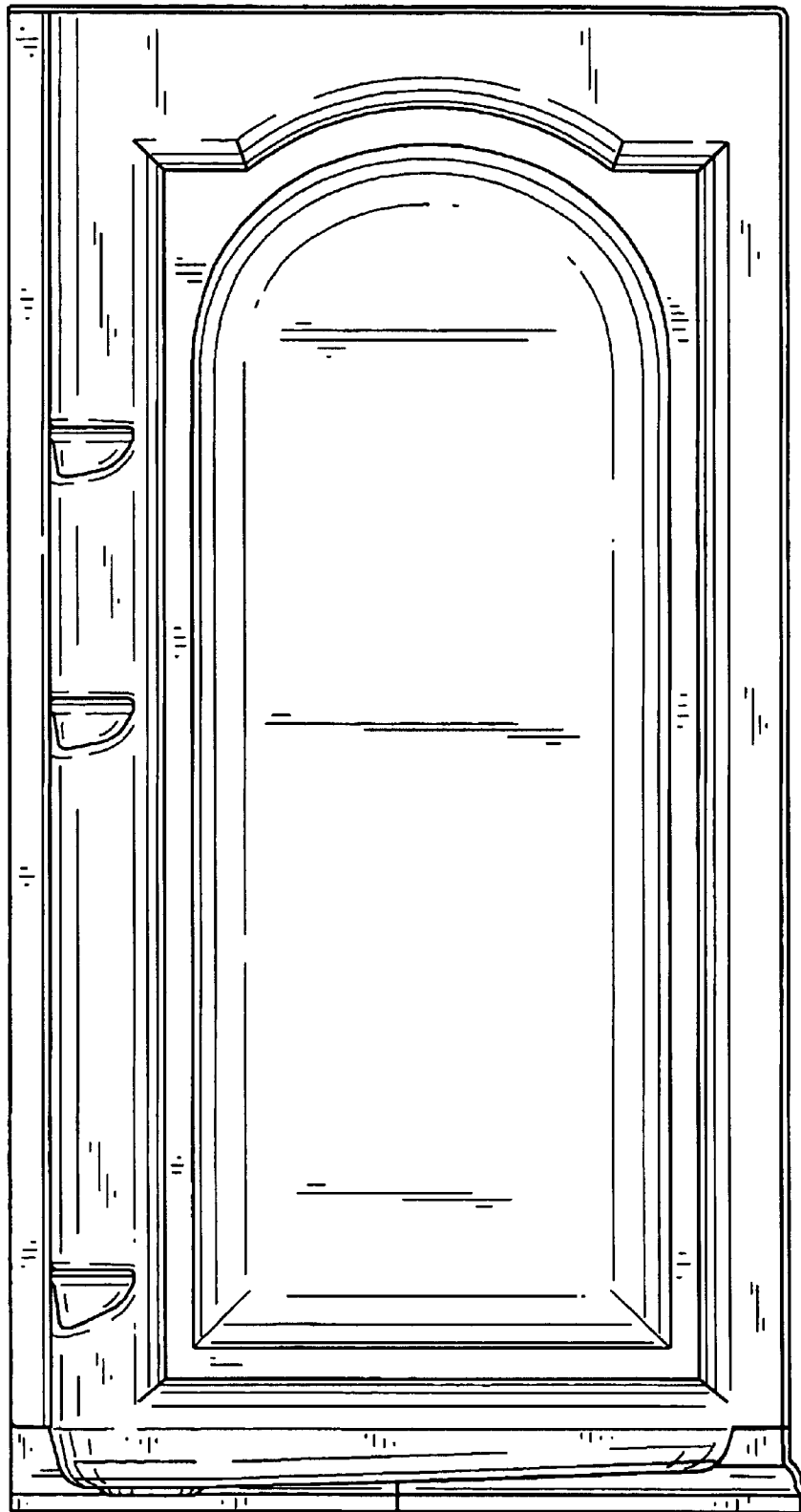


FIG. 5

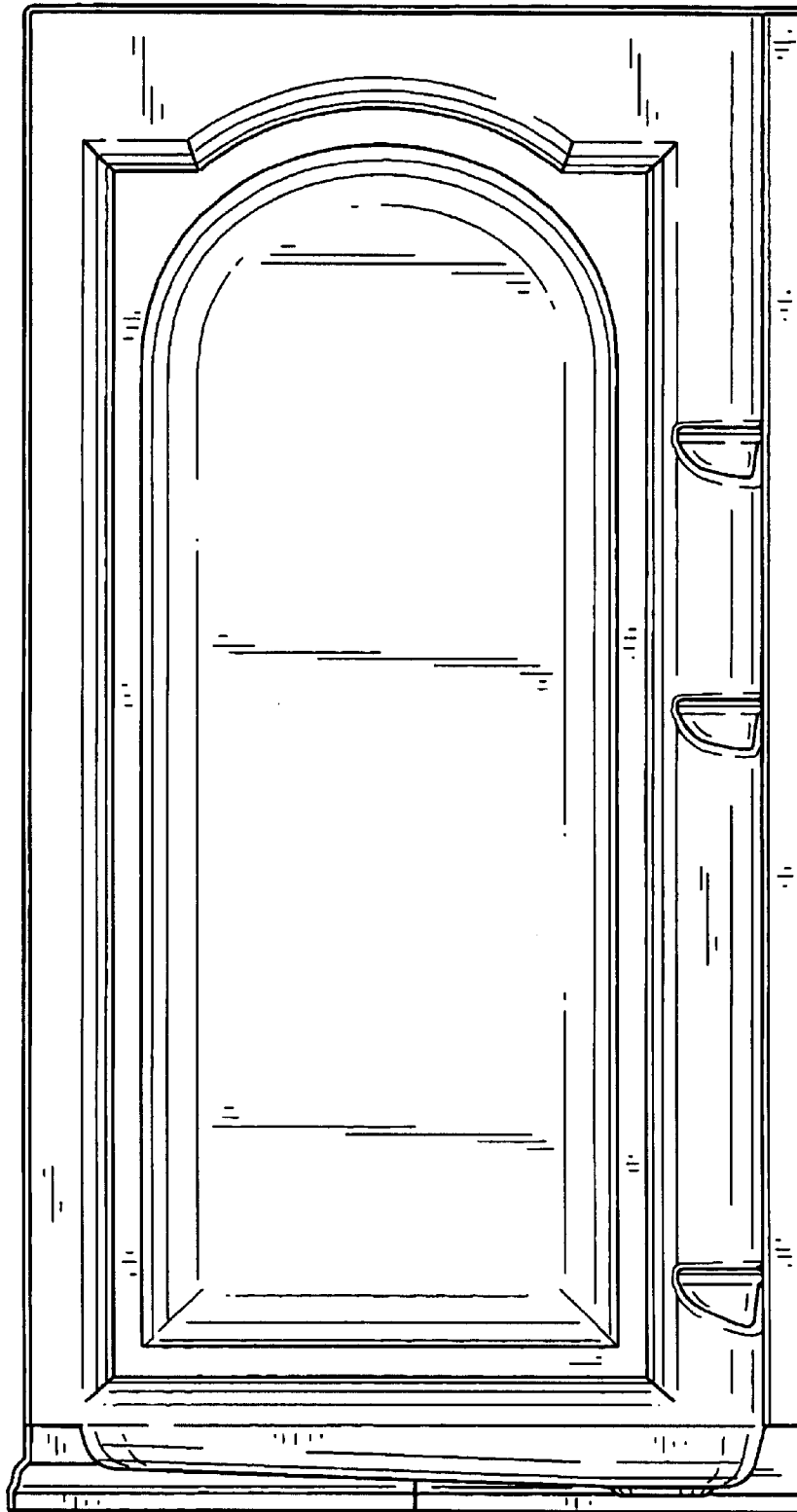


FIG. 6