



US00D760890S

(12) **United States Design Patent**  
**Guala**

(10) **Patent No.:** **US D760,890 S**

(45) **Date of Patent:** **\*\* Jul. 5, 2016**

(54) **DRIP CHAMBER FOR MEDICAL LINES**

(71) Applicant: **INDUSTRIE BORLA S.p.A.**,  
Moncalieri (Torino) (IT)

(72) Inventor: **Gianni Guala**, Turin (IT)

(73) Assignee: **INDUSTRIE BORLA S.P.A.**,  
Moncalieri (Torino) (IT)

(\*\*) Term: **14 Years**

(21) Appl. No.: **29/497,877**

(22) Filed: **Jul. 29, 2014**

(30) **Foreign Application Priority Data**

Jan. 29, 2014 (EM) ..... 00239481

(51) **LOC (10) CL.** ..... **24-02**

(52) **U.S. CL.**  
USPC ..... **D24/112**

(58) **Field of Classification Search**

USPC ..... D24/112-114, 108, 130, 127, 133, 186;  
606/181, 185; 604/264, 523-528, 272,  
604/164.01-164.11, 187, 93.01; 600/101,  
600/139, 143; 128/200.24, 207.14, 207.15  
CPC . A61M 25/065; A61M 5/42; A61M 25/0612;  
A61M 25/00; A61M 39/00; A61M 27/00;  
A61M 25/0043; A61M 25/0067; A61M  
25/0097; A61F 2/958

See application file for complete search history.

(56) **References Cited**

U.S. PATENT DOCUMENTS

D462,763 S *	9/2002	Swenson	.....	D24/130
D467,340 S *	12/2002	Mayer	.....	D24/133
D562,977 S *	2/2008	Forlenza	.....	D24/133
D569,508 S *	5/2008	Bacher	.....	D24/133
D587,803 S *	3/2009	Di Sessa	.....	D24/133
D588,693 S *	3/2009	Strong	.....	D24/112
D591,417 S *	4/2009	Nichetti	.....	D24/108
D597,668 S *	8/2009	Woodruff	.....	D24/133
D605,282 S *	12/2009	Nichetti	.....	D24/108
D636,489 S *	4/2011	D'Agostino	.....	D24/130
D678,522 S *	3/2013	Gustavsson	.....	D24/130
D683,842 S *	6/2013	Wang	.....	D24/108
D718,441 S *	11/2014	Carus	.....	D24/133

\* cited by examiner

*Primary Examiner* — David Muller

(74) *Attorney, Agent, or Firm* — Heslin Rothenberg Farley & Mesiti, P.C.; Victor A. Cardona, Esq.

(57) **CLAIM**

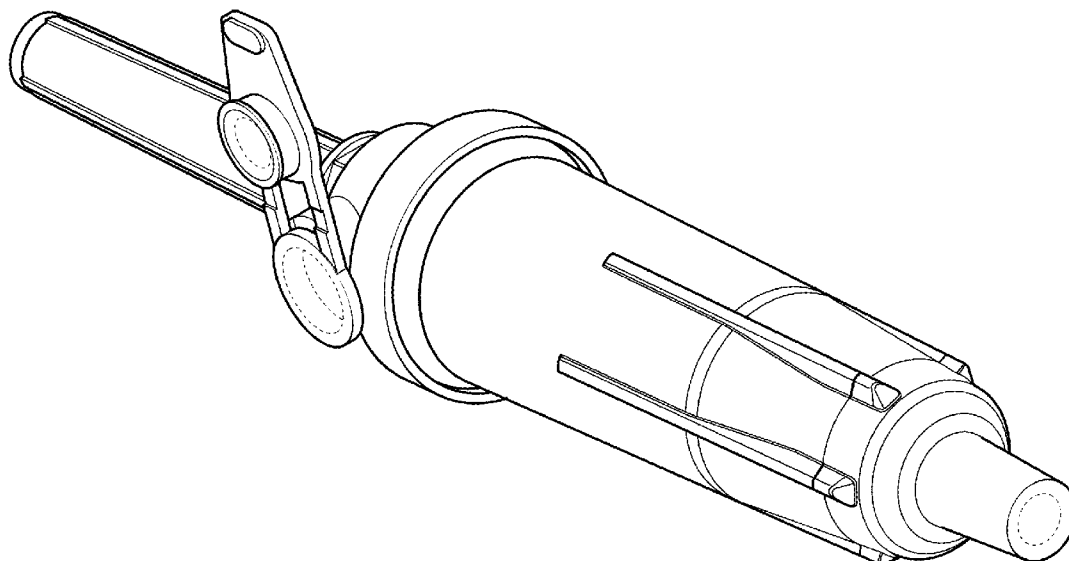
The ornamental design for a drip chamber for medical lines, as shown and described.

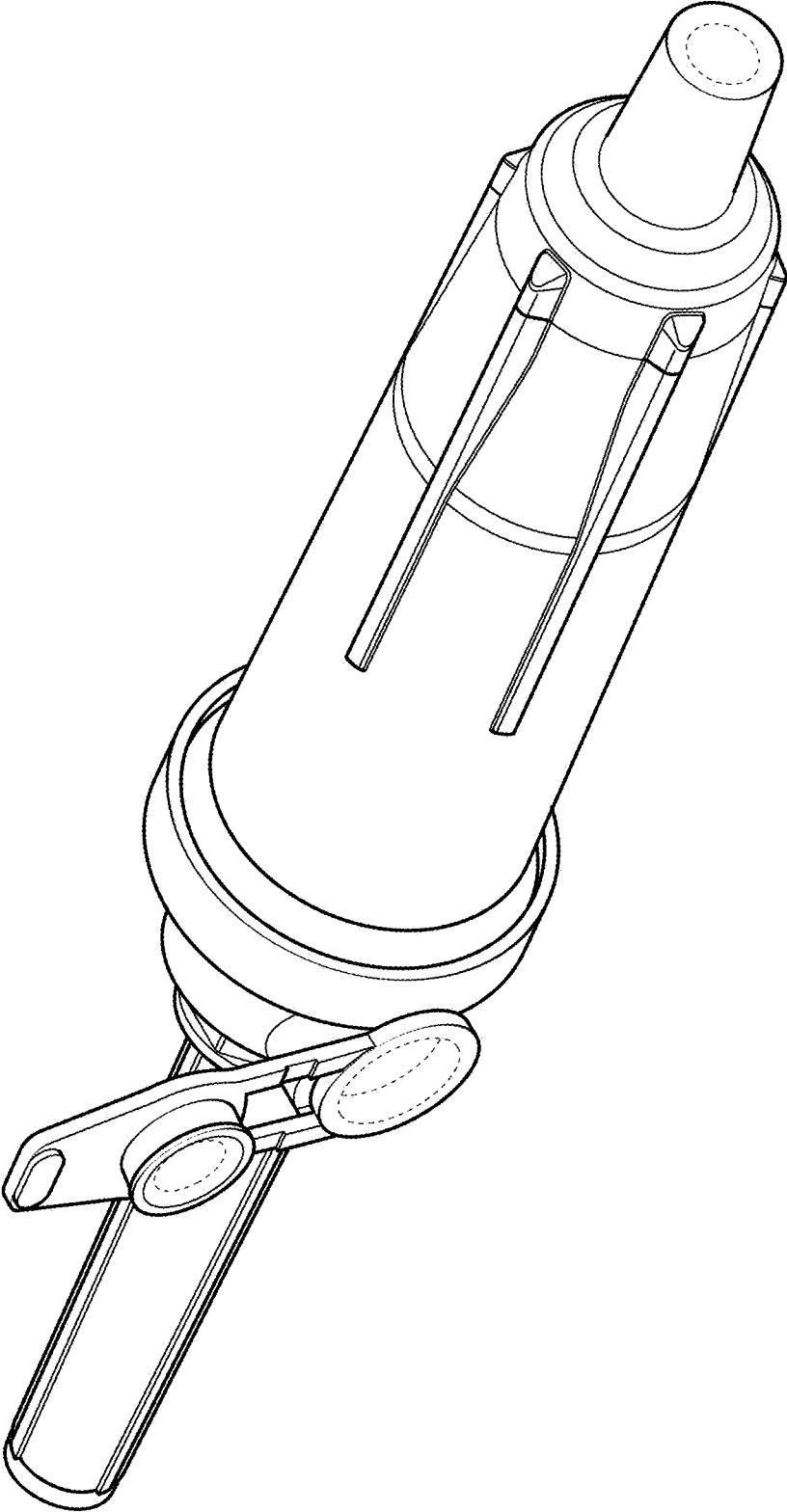
**DESCRIPTION**

FIG. 1 is a perspective view of a drip chamber comprising the new design;  
FIG. 2 is a top plan view thereof;  
FIG. 3 is a bottom plan view thereof;  
FIG. 4 is a left side elevation view thereof;  
FIG. 5 is right side elevation view thereof;  
FIG. 6 is a front elevation view thereof; and,  
FIG. 7 is a rear elevation view thereof.

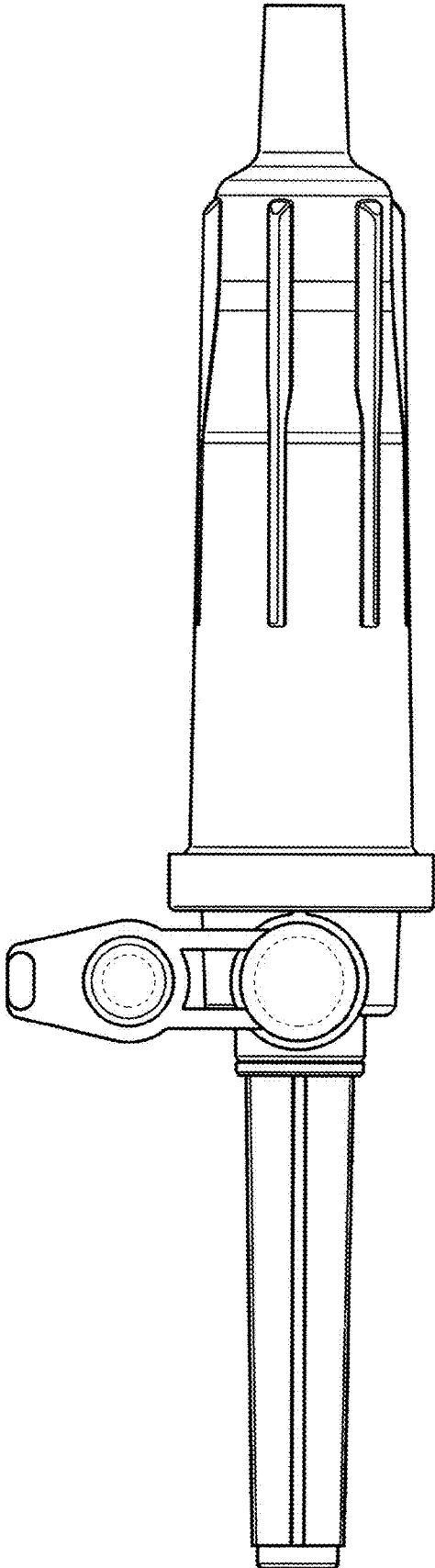
The broken lines shown in the drawings illustrate portions of the drip chamber for medical lines that form no part of the claimed design.

**1 Claim, 7 Drawing Sheets**

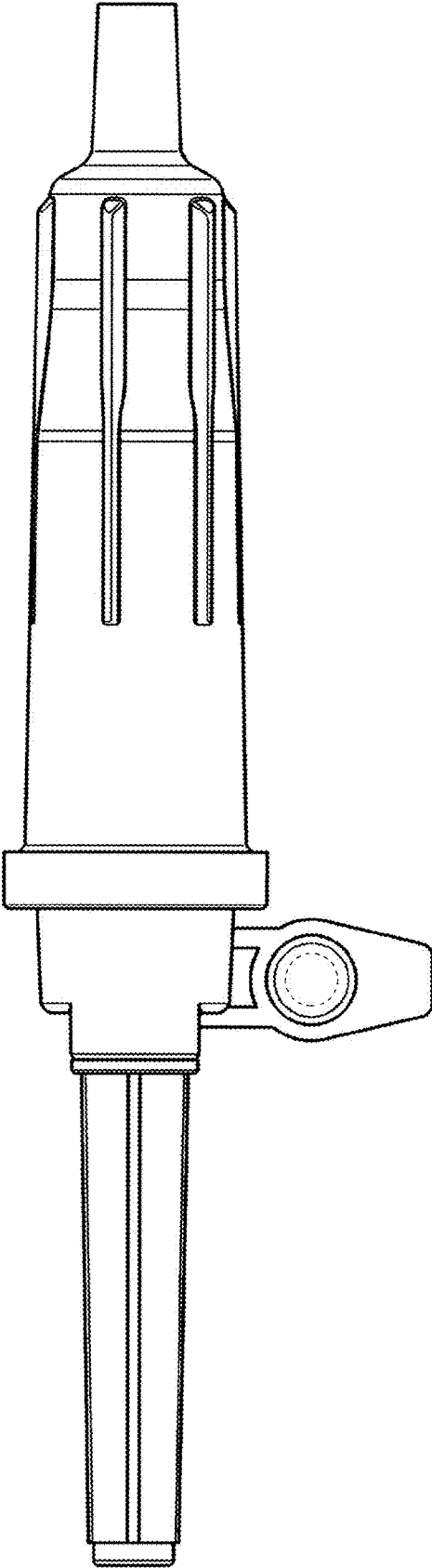




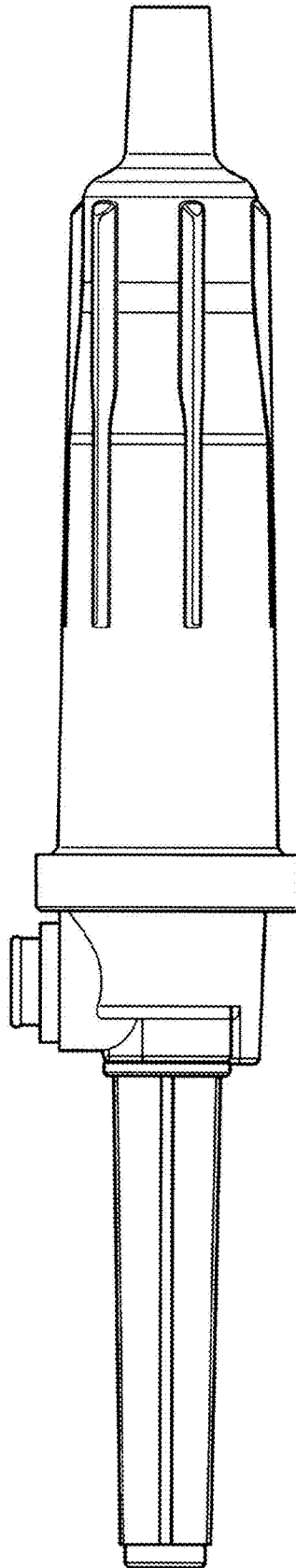
**FIG. 1**



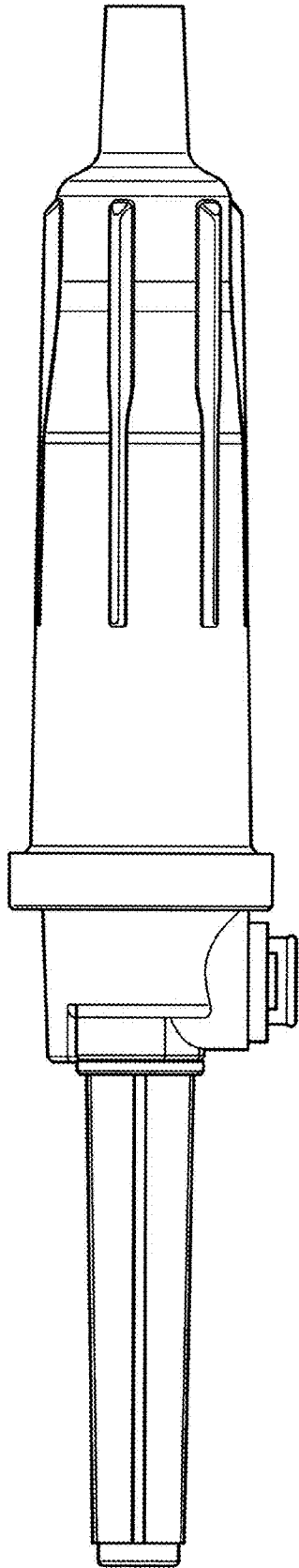
**FIG. 2**



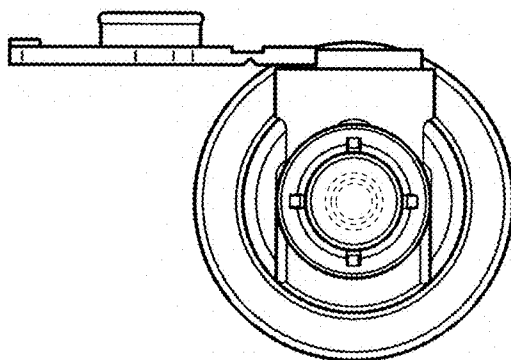
**FIG. 3**



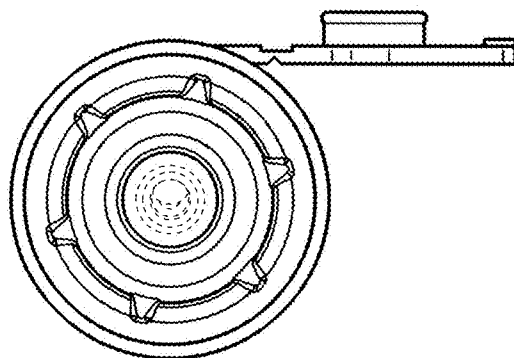
**FIG. 4**



**FIG. 5**



**FIG. 6**



**FIG. 7**