



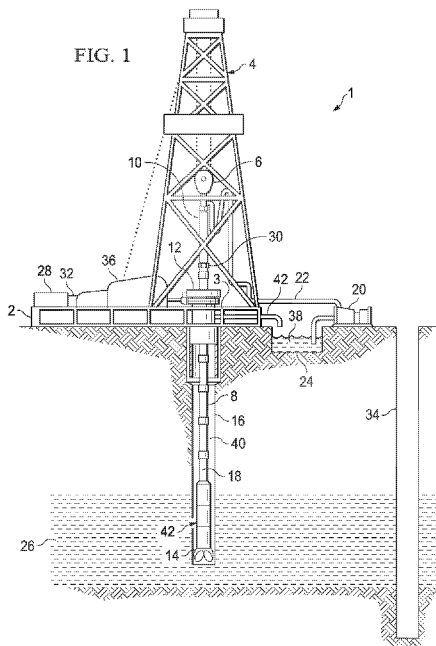
- (51) International Patent Classification:
E21B 44/00 (2006.01) *E21B 41/00* (2006.01)
- (21) International Application Number:
PCT/US2012/034224
- (22) International Filing Date:
19 April 2012 (19.04.2012)
- (25) Filing Language: English
- (26) Publication Language: English
- (30) Priority Data:
13/091,269 21 April 2011 (21.04.2011) US
- (71) Applicant (for all designated States except US): **NATIONAL OILWELL VARCO, L.P.** [US/US]; 7909 Parkwood Circle Dr., Houston, Texas 77036 (US).
- (72) Inventors; and
- (75) Inventors/Applicants (for US only): **VOGEL, Stephen K.** [US/US]; 18210 S. Austin Shore Drive, Cypress, Texas 77433 (US). **ASKER, Jamal N.** [US/US]; 10157 Westview Drive, Apt. 100, Houston, Texas 77043 (US). **KOEDERITZ, William L** [US/US]; 2300 El Sol Drive, Cedar Park, Texas 78613 (US).

- (74) Agents: **WILSON, David M.** et al.; Conley Rose, P.C., P.O. Box 3267, Houston, Texas 77253-3267 (US).
- (81) Designated States (unless otherwise indicated, for every kind of national protection available): AE, AG, AL, AM, AO, AT, AU, AZ, BA, BB, BG, BH, BR, BW, BY, BZ, CA, CH, CL, CN, CO, CR, CU, CZ, DE, DK, DM, DO, DZ, EC, EE, EG, ES, FI, GB, GD, GE, GH, GM, GT, HN, HR, HU, ID, IL, IN, IS, JP, KE, KG, KM, KN, KP, KR, KZ, LA, LC, LK, LR, LS, LT, LU, LY, MA, MD, ME, MG, MK, MN, MW, MX, MY, MZ, NA, NG, NI, NO, NZ, OM, PE, PG, PH, PL, PT, QA, RO, RS, RU, RW, SC, SD, SE, SG, SK, SL, SM, ST, SV, SY, TH, TJ, TM, TN, TR, TT, TZ, UA, UG, US, UZ, VC, VN, ZA, ZM, ZW.
- (84) Designated States (unless otherwise indicated, for every kind of regional protection available): ARIPO (BW, GH, GM, KE, LR, LS, MW, MZ, NA, RW, SD, SL, SZ, TZ, UG, ZM, ZW), Eurasian (AM, AZ, BY, KG, KZ, MD, RU, TJ, TM), European (AL, AT, BE, BG, CH, CY, CZ, DE, DK, EE, ES, FI, FR, GB, GR, HR, HU, IE, IS, IT, LT, LU, LV, MC, MK, MT, NL, NO, PL, PT, RO, RS, SE, SI, SK, SM, TR), OAPI (BF, BJ, CF, CG, CI, CM, GA, GN, GQ, GW, ML, MR, NE, SN, TD, TG).

[Continued on next page]

(54) Title: SYSTEM AND METHOD FOR DRILLING A BOREHOLE USING STREAMING REFERENCE DATA

(57) Abstract: A system and method for improving drilling efficiency using drilling efficiency reference from a previously drilled offset well. In one embodiment a method for drilling a borehole includes displaying a graphical representation of drilling efficiency for a previously drilled wellbore. A graphical representation of drilling efficiency for the borehole is also displayed. The displayed drilling efficiency for the previously drilled wellbore is compared to the displayed drilling efficiency for the borehole. Responsive to the comparing, the drilling efficiency for the borehole is adjusted by changing a parameter affecting the drilling of the borehole.



WO 2012/145494 A3



Published:

(88) Date of publication of the international search report:
10 October 2013

- *with international search report (Art. 21(3))*
- *before the expiration of the time limit for amending the claims and to be republished in the event of receipt of amendments (Rule 48.2(h))*

INTERNATIONAL SEARCH REPORT

International application No PCT/US2012/034224

A. CLASSIFICATION OF SUBJECT MATTER
 INV. E21B44/00 E21B41/00
 ADD.
 According to International Patent Classification (IPC) or to both national classification and IPC

B. FIELDS SEARCHED
 Minimum documentation searched (classification system followed by classification symbols)
 E21B
 Documentation searched other than minimum documentation to the extent that such documents are included in the fields searched

Electronic data base consulted during the international search (name of data base and, where practicable, search terms used)
 EPO-Internal, WPI Data

C. DOCUMENTS CONSIDERED TO BE RELEVANT

Category*	Citation of document, with indication, where appropriate, of the relevant passages	Relevant to claim No.
X	US 2003/015351 A1 (GOLDMAN WILLIAM A [US] ET AL) 23 January 2003 (2003-01-23) paragraph [0028] - paragraph [0030] paragraph [0039] paragraph [0084] - paragraph [0087] paragraph [0120] - paragraph [0123] -----	1-30
X	US 2004/059554 A1 (GOLDMAN WILLIAM A [US] ET AL) 25 March 2004 (2004-03-25) paragraph [0029] - paragraph [0057] -----	1,11,16, 21,26
X	US 2010/259415 A1 (STRACHAN MICHAEL [US] ET AL) 14 October 2010 (2010-10-14) the whole document -----	1,11,16, 21,26

Further documents are listed in the continuation of Box C. See patent family annex.

* Special categories of cited documents :

"A" document defining the general state of the art which is not considered to be of particular relevance	"T" later document published after the international filing date or priority date and not in conflict with the application but cited to understand the principle or theory underlying the invention
"E" earlier application or patent but published on or after the international filing date	"X" document of particular relevance; the claimed invention cannot be considered novel or cannot be considered to involve an inventive step when the document is taken alone
"L" document which may throw doubts on priority claim(s) or which is cited to establish the publication date of another citation or other special reason (as specified)	"Y" document of particular relevance; the claimed invention cannot be considered to involve an inventive step when the document is combined with one or more other such documents, such combination being obvious to a person skilled in the art
"O" document referring to an oral disclosure, use, exhibition or other means	"&" document member of the same patent family
"P" document published prior to the international filing date but later than the priority date claimed	

Date of the actual completion of the international search 13 August 2013	Date of mailing of the international search report 21/08/2013
---	--

Name and mailing address of the ISA/ European Patent Office, P.B. 5818 Patentlaan 2 NL - 2280 HV Rijswijk Tel. (+31-70) 340-2040, Fax: (+31-70) 340-3016	Authorized officer Morrish, Susan
--	--

INTERNATIONAL SEARCH REPORT

Information on patent family members

International application No PCT/US2012/034224

Patent document cited in search report	Publication date	Patent family member(s)	Publication date
US 2003015351 A1	23-01-2003	US 2003015351 A1	23-01-2003
		US 2004182606 A1	23-09-2004
		US 2005284661 A1	29-12-2005

US 2004059554 A1	25-03-2004	AU 709128 B2	19-08-1999
		BR 9708257 A	03-08-1999
		CA 2250030 A1	02-10-1997
		CN 1214754 A	21-04-1999
		GB 2328467 A	24-02-1999
		JP 2000507658 A	20-06-2000
		NO 984454 A	12-11-1998
		US 5794720 A	18-08-1998
		US 6131673 A	17-10-2000
		US 6374926 B1	23-04-2002
		US 2003187582 A1	02-10-2003
		US 2004059554 A1	25-03-2004
		US 2009006058 A1	01-01-2009
		WO 9736084 A1	02-10-1997

US 2010259415 A1	14-10-2010	GB 2468251 A	01-09-2010
		US 2010259415 A1	14-10-2010
		WO 2009075667 A2	18-06-2009
