



US00D780890S

(12) **United States Design Patent**
Näslund et al.

(10) **Patent No.:** **US D780,890 S**
(45) **Date of Patent:** **** Mar. 7, 2017**

(54) **SENSITIVE PLANT SPRAYER**
(71) Applicant: **HUSQVARNA AB**, Huskvarna (SE)
(72) Inventors: **Jens Näslund**, Spånga (SE); **Daniel Gunnarsson**, Danderyd (SE); **Gustav Landberg**, Trosa (SE); **Tor Sigurdson**, Stockholm (SE)

D626,626 S 11/2010 Lee
D636,058 S 4/2011 Hung
D648,823 S 11/2011 Hung
D700,278 S 2/2014 Bollerod
D746,945 S 1/2016 Näslund
D746,946 S * 1/2016 Naslund D23/223
(Continued)

(73) Assignee: **HUSQVARNA AB**, Huskvarna (SE)
(**) Term: **15 Years**

AU 356866 A 8/2014
CA 157903 S 7/2015
(Continued)

(21) Appl. No.: **29/543,219**

Primary Examiner — Robin V Webster
(74) *Attorney, Agent, or Firm* — Nelson Mullins Riley & Scarborough LLP

(22) Filed: **Oct. 22, 2015**

(30) **Foreign Application Priority Data**

Apr. 22, 2015 (EM) 002686816-0004

(51) **LOC (10) CL.** **23-01**

(52) **U.S. CL.**
USPC **D23/226**

(58) **Field of Classification Search**
USPC D23/213, 223, 226; 239/525–526, 532
CPC B05B 15/061; B05B 9/01; B05B 7/1209
See application file for complete search history.

(57) **CLAIM**

The ornamental design for the sensitive plant sprayer, as shown and described.

(56) **References Cited**

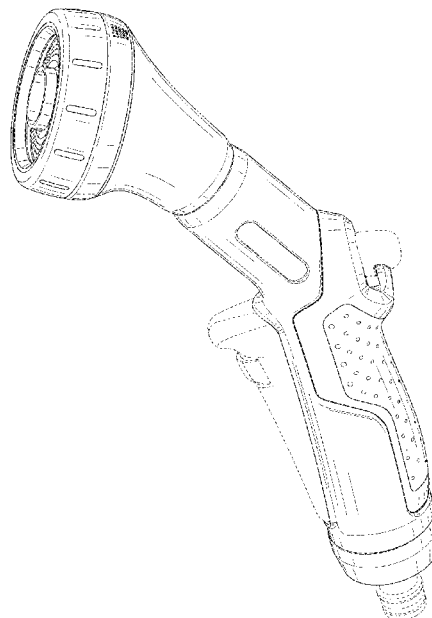
U.S. PATENT DOCUMENTS

5,806,770 A * 9/1998 Wang A62C 31/03
239/391
D456,487 S 4/2002 Bonzer
D470,567 S 2/2003 Alkalay et al.
D479,302 S 9/2003 Chen
D513,426 S 1/2006 Chen
D559,354 S * 1/2008 Chih D23/226
D559,951 S 1/2008 Soriano et al.
D592,731 S * 5/2009 Hung D23/223

DESCRIPTION

FIG. 1 is a perspective view of a sensitive plant sprayer in accordance with an embodiment of the present invention; FIG. 2 is a bottom view of the sensitive plant sprayer of FIG. 1; FIG. 3 is a top view of the sensitive plant sprayer of FIG. 1; FIG. 4 is a left side view of the sensitive plant sprayer of FIG. 1; FIG. 5 is a right side view of the sensitive plant sprayer of FIG. 1; FIG. 6 is a front view of the sensitive plant sprayer of FIG. 1; and, FIG. 7 is a back view of the sensitive plant sprayer of FIG. 1. The broken lines of FIGS. 1-7 are illustrative of the visible environmental structure of the sensitive plant sprayer and form no part of the claimed design.

1 Claim, 6 Drawing Sheets



(56)

References Cited

U.S. PATENT DOCUMENTS

D746,947 S 1/2016 Näslund
D747,441 S 1/2016 Näslund
D760,349 S 6/2016 Chen

FOREIGN PATENT DOCUMENTS

CA 157904 S 7/2015
EP 24244650035 A1 3/2016
JP 1521416 S 4/2015
JP 1521428 S 4/2015
JP 1521694 S 4/2015
JP 1548795 S 5/2016
JP 1548796 S 5/2016
JP 1548802 S 5/2016
JP 1548803 S 5/2016
JP 1549029 S 5/2016
JP 1549031 S 5/2016
JP 1549032 S 5/2016
JP 1549034 S 5/2016
TW D589094 A 5/2004
TW D118254 A 7/2007
TW D128011 A 3/2009
TW D130862 A 9/2009
TW D166729 A 3/2015
TW D166732 A 3/2015

* cited by examiner

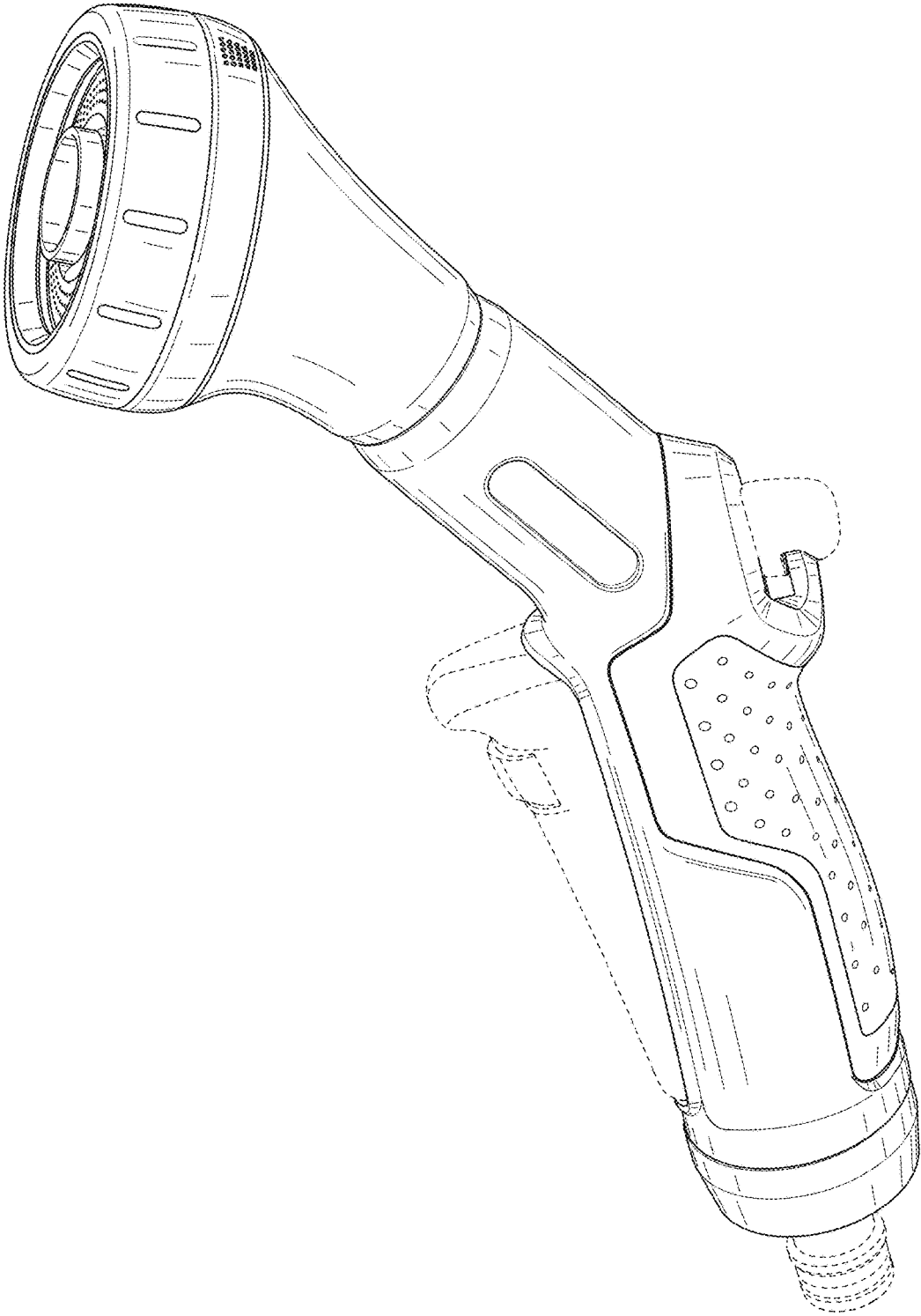


FIG. 1

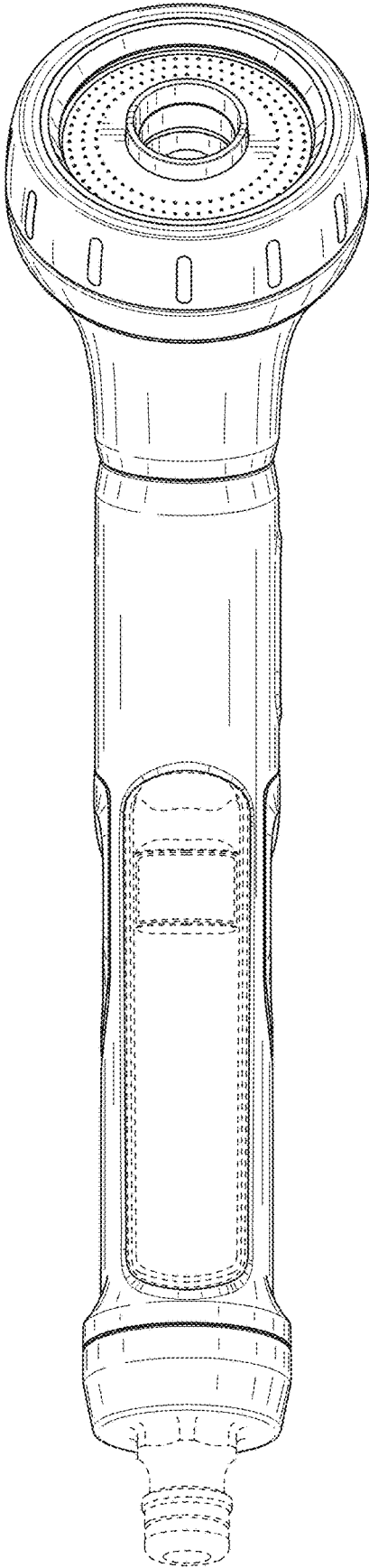


FIG. 2

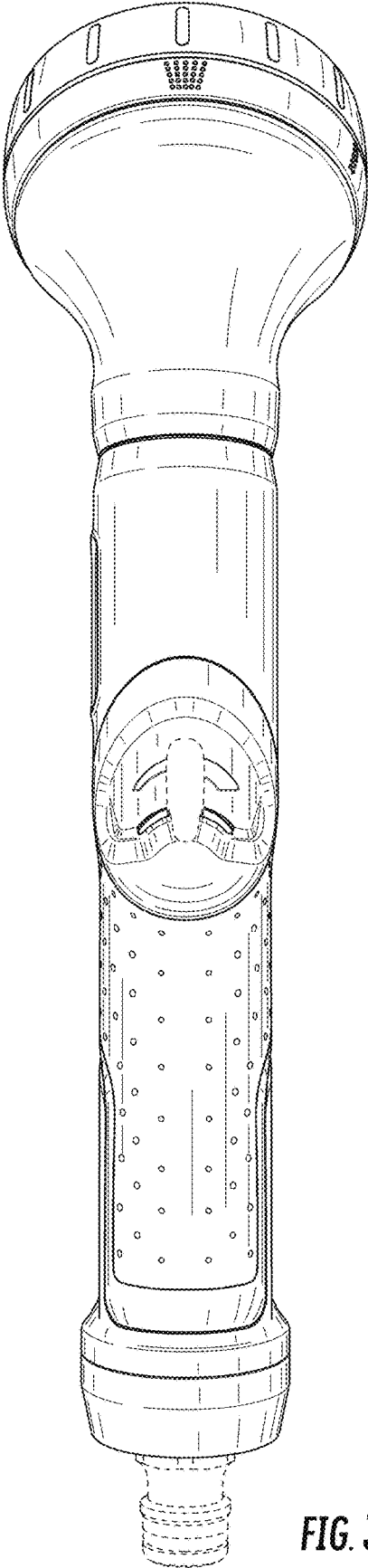


FIG. 3

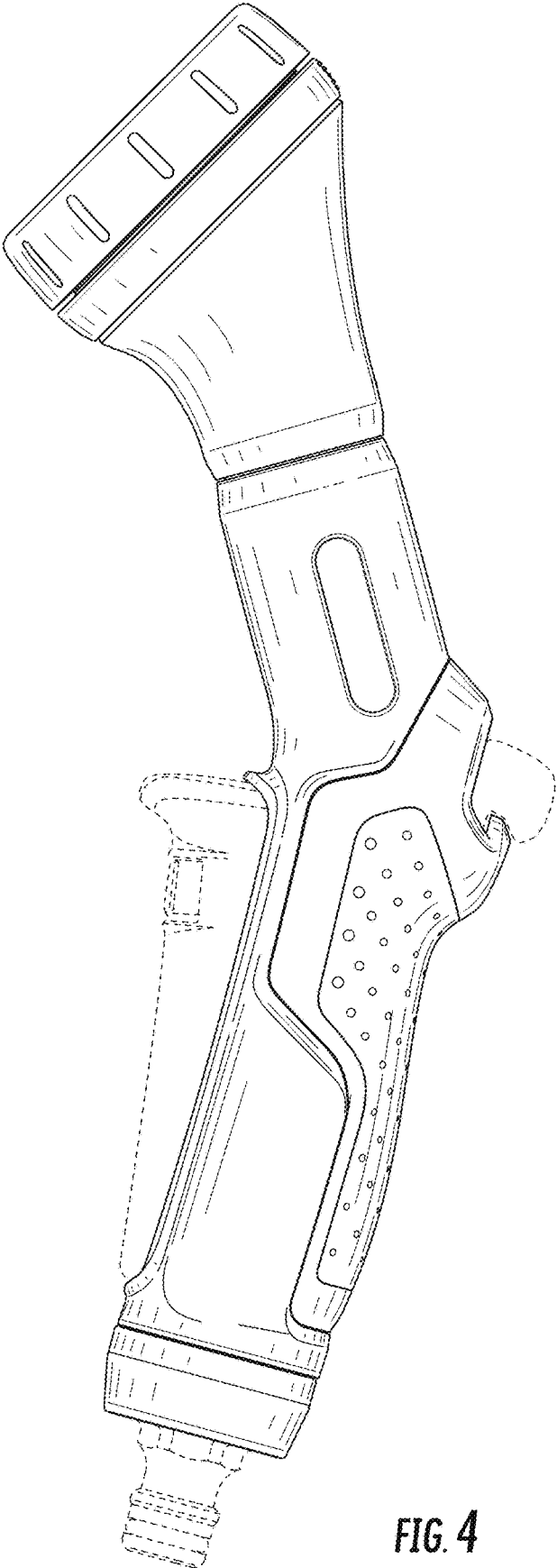


FIG. 4

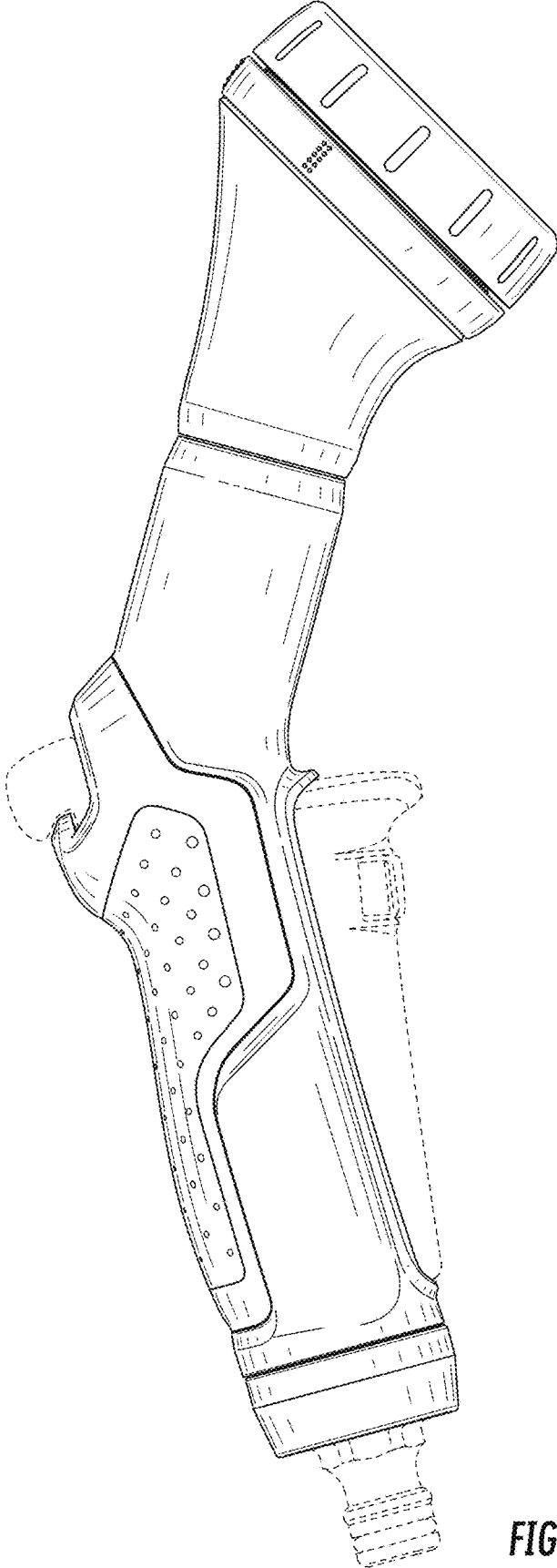


FIG. 5

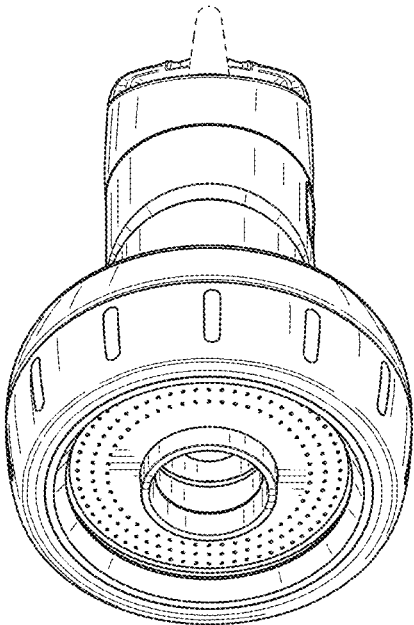


FIG. 6

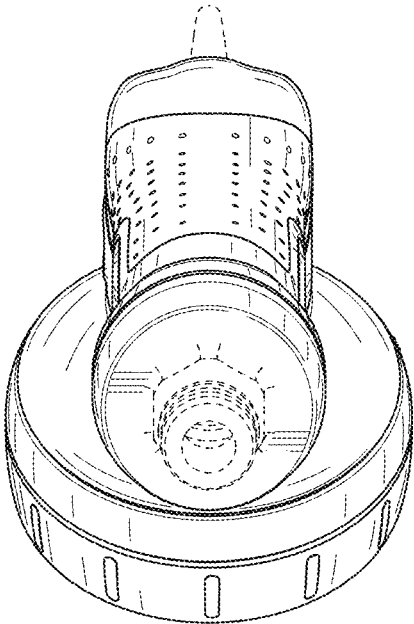


FIG. 7