

[54] TELESCOPE

[75] Inventor: Peter W. Bressler, Philadelphia, Pa.

[73] Assignee: Edmund Scientific Company, Barrington, N.J.

[\*\*] Term: 14 Years

[21] Appl. No.: 137,762

[22] Filed: Apr. 7, 1980

[51] Int. Cl. .... D16-06

[52] U.S. Cl. .... D16/132

[58] Field of Search ..... D16/132; 350/78, 79, 350/85, 82, 383

[56]

References Cited

U.S. PATENT DOCUMENTS

- D. 24,785 5/1978 Simmons ..... D16/132
- D. 199,371 10/1964 Kraus ..... D16/132
- D. 253,113 10/1979 Bressler ..... D16/132

- D. 253,238 10/1979 Drauglis et al. .... D16/132
- D. 253,598 12/1979 Bressler ..... D16/132

OTHER PUBLICATIONS

Edmund Scientific Cat., Fall/Christmas-1978, p. 8, Edmund 6 inch, F/6 Telescope w/fork mount.

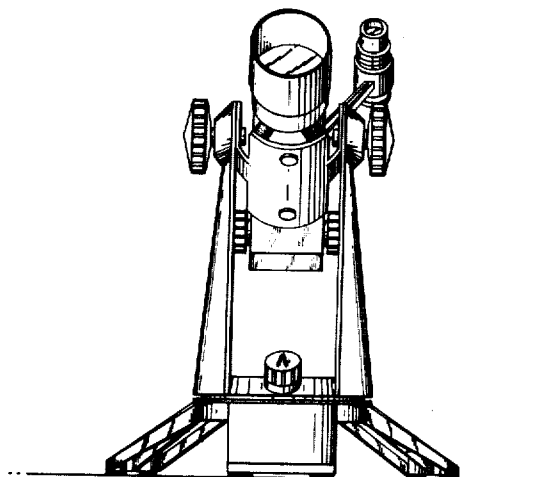
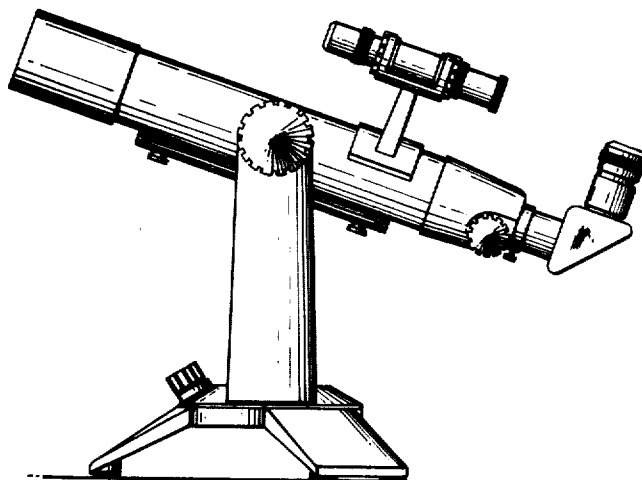
Primary Examiner—Bernard Ansher  
Attorney, Agent, or Firm—Howson and Howson

[57] CLAIM

The ornamental design for a telescope, as shown and described.

DESCRIPTION

FIG. 1 is a left side elevation of a telescope showing my new design;  
 FIG. 2 is a bottom plan view thereof;  
 FIG. 3 is a right side elevation thereof;  
 FIG. 4 is a top plan view thereof;  
 FIG. 5 is a front elevation thereof; and  
 FIG. 6 is a rear elevation thereof.



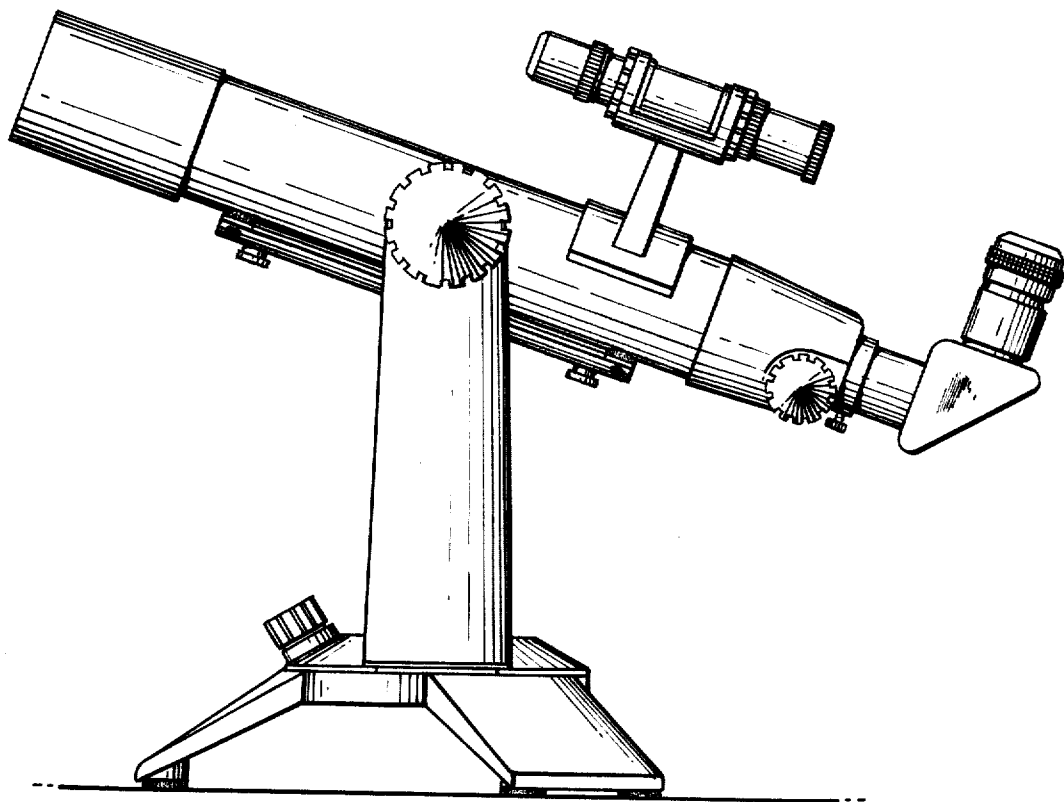


FIG. 1.

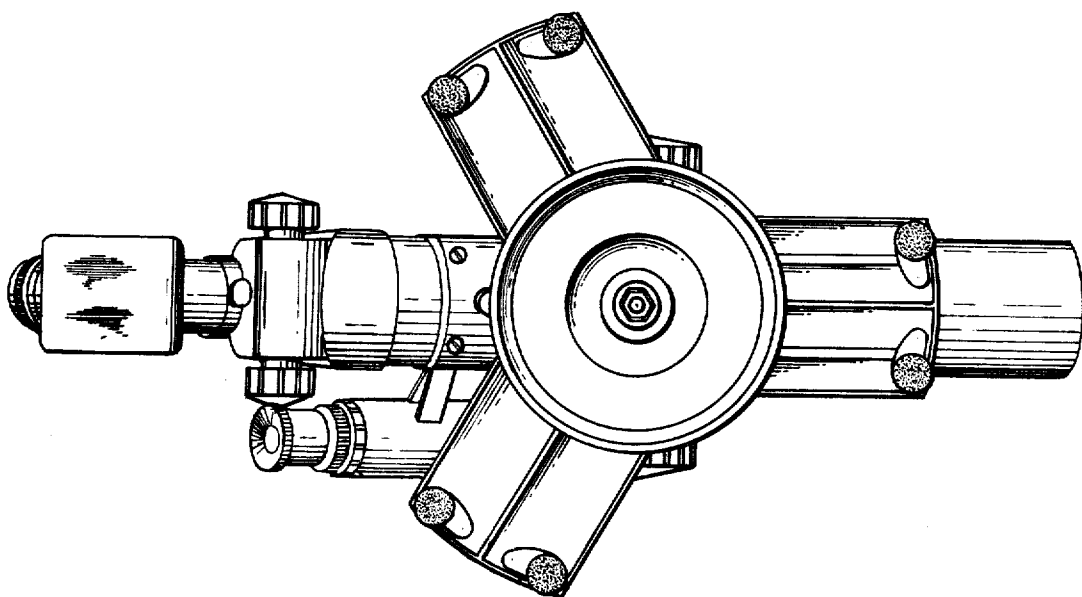


FIG. 2.

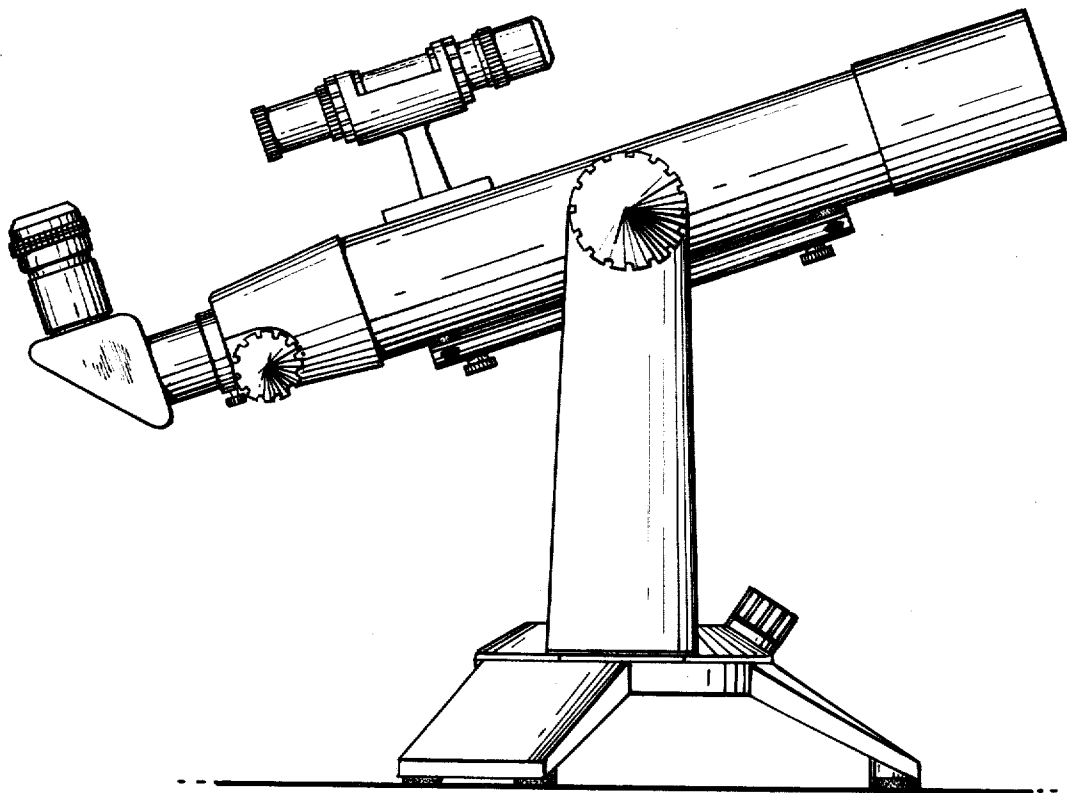


FIG. 3.

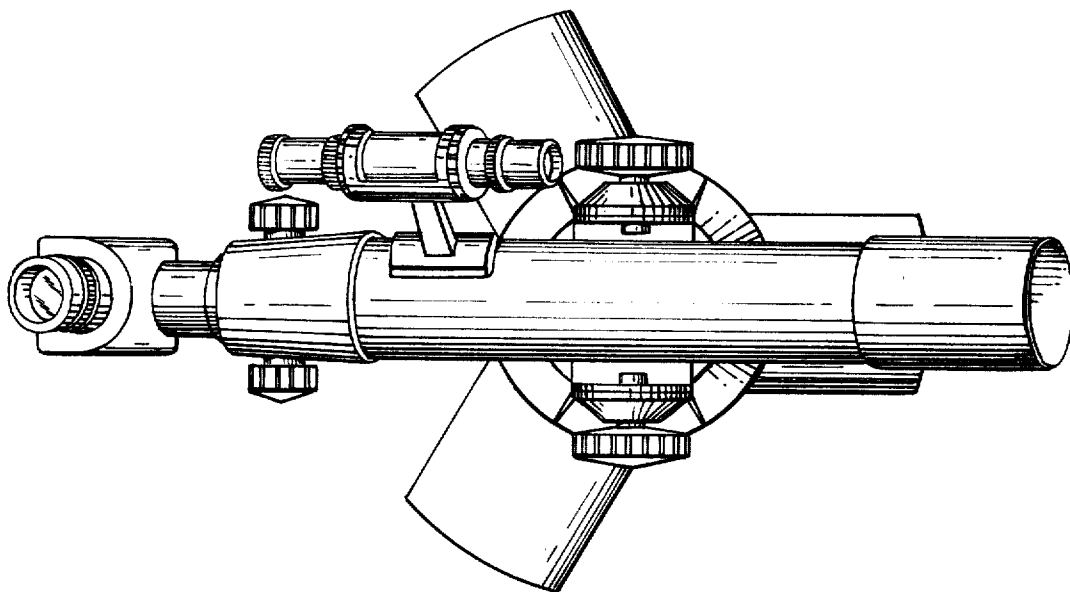


FIG. 4.

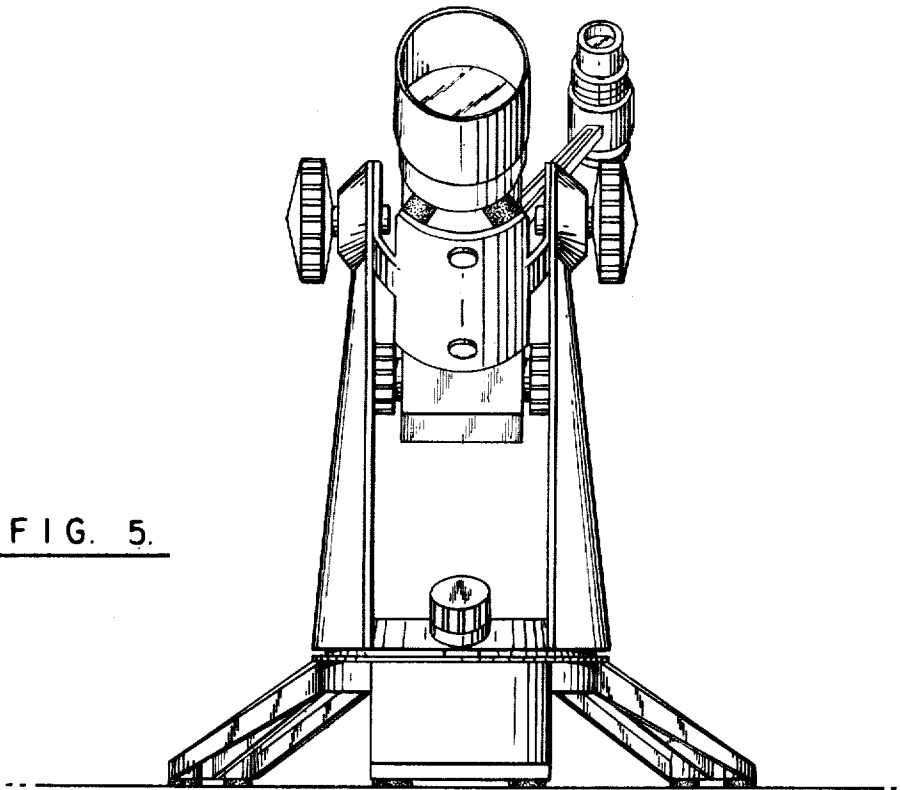


FIG. 5.

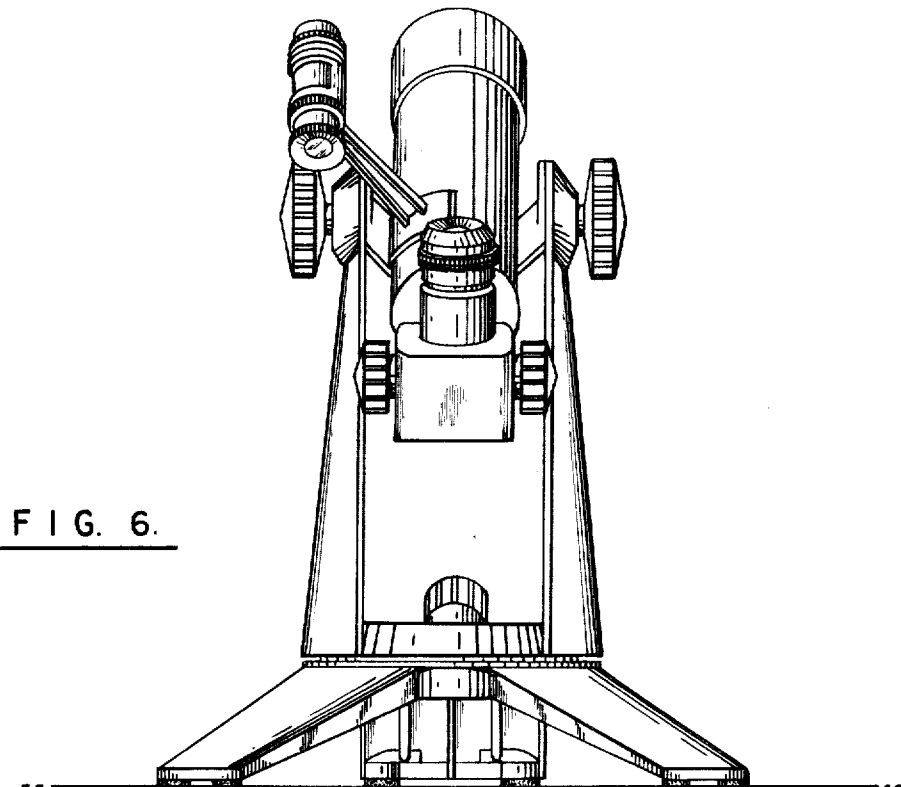


FIG. 6.