

(19) World Intellectual Property Organization
International Bureau



(43) International Publication Date
29 December 2005 (29.12.2005)

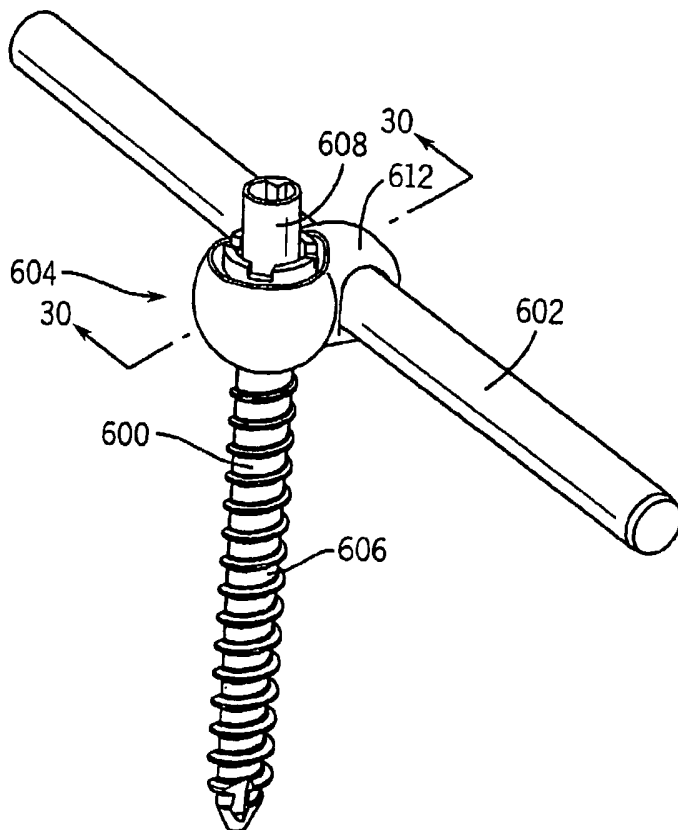
PCT

(10) International Publication Number
WO 2005/122965 A3

- (51) International Patent Classification⁷: **A61B 17/56**
- (21) International Application Number:
PCT/US2005/020157
- (22) International Filing Date: 9 June 2005 (09.06.2005)
- (25) Filing Language: English
- (26) Publication Language: English
- (30) Priority Data:
10/864,673 9 June 2004 (09.06.2004) US
11/071,604 3 March 2005 (03.03.2005) US
- (71) Applicant (for all designated States except US): **SPINAL GENERATIONS, LLC** [US/US]; 20060 Governors Drive, Suite 300, Olympia Fields, IL 60461 (US).
- (72) Inventors; and
- (75) Inventors/Applicants (for US only): **SWEENEY, Patrick, J.** [US/US]; 1711 Pinehurst Lane, Flossmoor, IL 60422 (US). **BUTLER, Michael, S.** [US/US]; 10837 Pine Bluff Drive, Fishers, IN 46038 (US). **MILELLA, Michael, J., Jr.** [US/US]; 257 Sheffield Drive, Schaumburg, IL 60194 (US).
- (74) Agent: **GUNDERSEN, Jeffrey, S.**; Foley & Lardner LLP, 777 East Wisconsin Avenue, Milwaukee, WI 53202 (US).
- (81) Designated States (unless otherwise indicated, for every kind of national protection available): AE, AG, AL, AM, AT, AU, AZ, BA, BB, BG, BR, BW, BY, BZ, CA, CH, CN, CO, CR, CU, CZ, DE, DK, DM, DZ, EC, EE, EG, ES, FI, GB, GD, GE, GH, GM, HR, HU, ID, IL, IN, IS, JP, KE, KG, KM, KP, KR, KZ, LC, LK, LR, LS, LT, LU, LV, MA, MD, MG, MK, MN, MW, MX, MZ, NA, NG, NI, NO, NZ, OM, PG, PH, PL, PT, RO, RU, SC, SD, SE, SG, SK, SL, SM, SY, TJ, TM, TN, TR, TT, TZ, UA, UG, US, UZ, VC, VN, YU, ZA, ZM, ZW.
- (84) Designated States (unless otherwise indicated, for every kind of regional protection available): ARIPO (BW, GH, GM, KE, LS, MW, MZ, NA, SD, SL, SZ, TZ, UG, ZM, ZW), Eurasian (AM, AZ, BY, KG, KZ, MD, RU, TJ, TM), European (AT, BE, BG, CH, CY, CZ, DE, DK, EE, ES, FI, FR, GB, GR, HU, IE, IS, IT, LT, LU, MC, NL, PL, PT, RO, SE, SI, SK, TR), OAPI (BF, BJ, CF, CG, CI, CM, GA, GN, GQ, GW, ML, MR, NE, SN, TD, TG).

[Continued on next page]

(54) Title: SPINAL FIXATION SYSTEM



(57) Abstract: A spinal fixation system includes a pedicle screw having a longitudinal axis. A fixation element is configured to connect the pedicle screw to at least one additional pedicle screw. A coupling mechanism includes a pedicle screw securing device adapted to secure the coupling mechanism to the pedicle screw and a fixation element securing device configured to secure the coupling mechanism to the fixation element. A fastening mechanism is configured to fasten both the pedicle screw securing device and the fixation element securing device. The fastening mechanism is located along the longitudinal axis of the pedicle screw.

WO 2005/122965 A3

**Declarations under Rule 4.17:**

- as to applicant's entitlement to apply for and be granted a patent (Rule 4.17(ii)) for the following designations AE, AG, AL, AM, AT, AU, AZ, BA, BB, BG, BR, BW, BY, BZ, CA, CH, CN, CO, CR, CU, CZ, DE, DK, DM, DZ, EC, EE, EG, ES, FI, GB, GD, GE, GH, GM, HR, HU, ID, IL, IN, IS, JP, KE, KG, KM, KP, KR, KZ, LC, LK, LR, LS, LT, LU, LV, MA, MD, MG, MK, MN, MW, MX, MZ, NA, NG, NI, NO, NZ, OM, PG, PH, PL, PT, RO, RU, SC, SD, SE, SG, SK, SL, SM, SY, TJ, TM, TN, TR, TT, TZ, UA, UG, UZ, VC, VN, YU, ZA, ZM, ZW, ARIPO patent (BW, GH, GM, KE, LS, MW, MZ, NA, SD, SL, SZ, TZ, UG, ZM, ZW), Eurasian patent (AM, AZ, BY, KG, KZ, MD, RU, TJ, TM), European patent (AT, BE, BG, CH, CY, CZ, DE, DK, EE, ES, FI, FR, GB, GR, HU, IE, IS, IT, LT, LU, MC, NL, PL, PT, RO, SE, SI, SK, TR), OAPI patent (BF, BJ, CF, CG, CI, CM, GA, GN, GQ, GW, ML, MR, NE, SN, TD, TG)

- as to the applicant's entitlement to claim the priority of the earlier application (Rule 4.17(iii)) for all designations

Published:

- with international search report
— before the expiration of the time limit for amending the claims and to be republished in the event of receipt of amendments

(88) Date of publication of the international search report:

16 March 2006

For two-letter codes and other abbreviations, refer to the "Guidance Notes on Codes and Abbreviations" appearing at the beginning of each regular issue of the PCT Gazette.

INTERNATIONAL SEARCH REPORT

International application No.

PCT/US05/20157

A. CLASSIFICATION OF SUBJECT MATTER IPC(7): A61B 17/56 and US: 606/061 According to International Patent Classification (IPC) or to both national classification and IPC		
B. FIELDS SEARCHED Minimum documentation searched (classification system followed by classification symbols) US: 606/061 Documentation searched other than minimum documentation to the extent that such documents are included in the fields searched Electronic data base consulted during the international search (name of data base and, where practicable, search terms used) USPAT, USPGPUB, Micropatent, NCBI Entrez-PubMed		
C. DOCUMENTS CONSIDERED TO BE RELEVANT		
Category*	Citation of document, with indication, where appropriate, of the relevant passages	Relevant to claim No.
X -- Y	US 6,248,105 A (SCHLAPFER, FRIDOLIN) 19 June 2001 (19.06.2001), column 6 lines 14-24, column 4 lines 30-39, column 4 lines 30-39, column 5 lines 45-51, figure 2	1, 5-7, 11-13, 15 ----- 3, 4, 8-10, 14, 16-19
Y	US 20030073997 A (DOUBLER, ROBERT L.) 17 April 2003 (17.04.2003), paragraphs 0030, 0034, 0040, 0058	3, 4, 8-10, 14, 16-17
Y	WO 2003028538 A2 (VAUGHAN, PAUL A.) 10 April 2003 (10.04.2003), claim 71	18-19
X, E	US 6,951,561 A (WARREN, CHRISTOPHER) 04 October 2005 (04.10.2005), entire document	1-19
<input type="checkbox"/> Further documents are listed in the continuation of Box C. <input type="checkbox"/> See patent family annex.		
* Special categories of cited documents:		
"A" document defining the general state of the art which is not considered to be of particular relevance	"T" later document published after the international filing date or priority date and not in conflict with the application but cited to understand the principle or theory underlying the invention	
"E" earlier application or patent but published on or after the international filing date	"X" document of particular relevance; the claimed invention cannot be considered novel or cannot be considered to involve an inventive step when the document is taken alone	
"L" document which may throw doubts on priority claim(s) or which is cited to establish the publication date of another citation or other special reason (as specified)	"Y" document of particular relevance; the claimed invention cannot be considered to involve an inventive step when the document is combined with one or more other such documents, such combination being obvious to a person skilled in the art	
"O" document referring to an oral disclosure, use, exhibition or other means	"&" document member of the same patent family	
"P" document published prior to the international filing date but later than the priority date claimed		
Date of the actual completion of the international search 18 October 2005 (18.10.2005)	Date of mailing of the international search report <div style="font-size: 1.5em; font-weight: bold; text-align: center;">06 JAN 2006</div>	
Name and mailing address of the ISA/US Mail Stop PCT, Attn: ISA/US, Commissioner for Patents P.O. Box 1450, Alexandria, Virginia 22313-1450 Facsimile No. 571-273-3201	Authorized officer: Blaine R. Copenhaver Telephone No. 571-272-7774	