



US00D964166S

(12) **United States Design Patent**  
**Jackson**

(10) **Patent No.:** **US D964,166 S**

(45) **Date of Patent:** **\*\* Sep. 20, 2022**

(54) **PLUG FOR A BEVERAGE CONTAINER LID**

FOREIGN PATENT DOCUMENTS

(71) Applicant: **Christopher Lowell Jackson**, Fort Collins, CO (US)

KR 300986866 \* 12/2018

(72) Inventor: **Christopher Lowell Jackson**, Fort Collins, CO (US)

OTHER PUBLICATIONS

U.S. Appl. No. 29/673,536, filed Dec. 14, 2018, Jackson.

(73) Assignee: **Facere Ltd.**, Fort Collins, CO (US)

(Continued)

(\*\*) Term: **15 Years**

*Primary Examiner* — Catherine S Posthauer

(21) Appl. No.: **29/705,349**

(74) *Attorney, Agent, or Firm* — Craig R. Miles; CR Miles P.C.

(22) Filed: **Sep. 11, 2019**

(51) **LOC (13) Cl.** ..... **07-06**

(57) **CLAIM**

(52) **U.S. Cl.**

The ornamental design for a plug for a beverage container lid, as shown and described.

USPC ..... **D9/439**

(58) **Field of Classification Search**

USPC ..... D3/202; D6/542, 550; D7/509–511, D7/550.1, 601, 619.1, 624.1, 635, 354, D7/387, 391, 392, 392.1, 396.1, 396.2, D7/396.6, 612; D9/716, 719, 529, 434, D9/435, 436, 438, 439, 440, 445, 447, D9/448, 452, 454, 455, 763, 772, 503, D9/516, 549, 417, 683; D23/206, 208, D23/209, 210, 249, 259, 260, 261, 303; D28/91.1  
CPC .. B65D 43/0212; B65D 43/0218; B65D 1/36; B65D 51/28; B65D 51/24; B65D 2543/00046; B65D 2543/00027; B65D 2543/00092; B65D 2543/00296; B65D 2543/00351; B65D 2543/00537; B65D 2543/00731; B65D 47/2018; B65D 47/06;  
(Continued)

**DESCRIPTION**

FIG. 1 is an isometric view of a plug for a beverage container lid showing my new design in an environment of use including a lid and a beverage container.

FIG. 2 is an isometric view thereof, with the exemplary lid and beverage container removed to show aspects of the design not visible when combined;

FIG. 3 is a front elevation view thereof;

FIG. 4 is a rear elevation view thereof;

FIG. 5 is a left side elevation view thereof;

FIG. 6 is a right side elevation view thereof;

FIG. 7 is a top plan view thereof; and,

FIG. 8 is a bottom plan view thereof.

The broken lines are shown for the purpose of illustrating both parts of the article as well as environmental subject matter of an exemplary lid and beverage container. None of the broken lines form part of the claimed design.

The plug is shown with symbolic breaks in the structure using broken lines. The appearance of any portions of the plug between the broken lines forms no part of the claimed design.

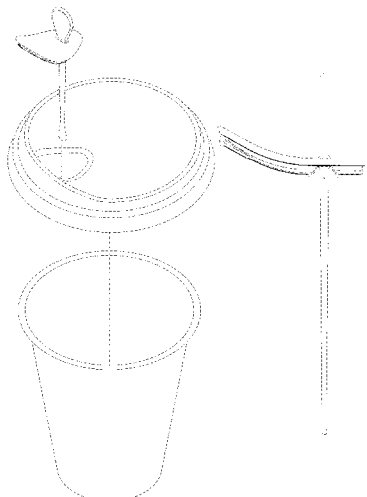
(56) **References Cited**

U.S. PATENT DOCUMENTS

1,014,486 A \* 1/1912 King ..... G09F 3/04  
40/310  
2,723,111 A \* 11/1955 Lawrence ..... A47J 43/27  
416/71

(Continued)

**1 Claim, 4 Drawing Sheets**



# US D964,166 S

Page 2

(58) **Field of Classification Search**

CPC ..... A47G 19/00; A47G 19/02; A47G 21/00;  
A47G 21/06

See application file for complete search history.

D659,465 S \* 5/2012 Burns ..... D7/392.1  
D660,077 S \* 5/2012 Burns ..... D7/392.1  
D664,001 S \* 7/2012 Liu ..... D7/510  
D673,809 S \* 1/2013 Burns ..... D7/392.1  
8,387,795 B1 \* 3/2013 Rogers ..... G09F 23/06  
206/459.5

(56)

**References Cited**

U.S. PATENT DOCUMENTS

2,841,307 A \* 7/1958 Yoder ..... B65D 51/007  
220/805  
3,168,961 A \* 2/1965 Yates ..... F16B 21/086  
220/787  
3,542,231 A \* 11/1970 Wettermann ..... B65D 41/185  
215/226  
3,650,432 A \* 3/1972 Easton ..... B65D 17/506  
220/801  
5,713,664 A \* 2/1998 Harilela ..... B01F 13/0016  
366/129  
5,894,952 A \* 4/1999 Mendenhall ..... A47G 19/2272  
215/230  
6,305,832 B1 \* 10/2001 Huang ..... A47G 21/00  
362/120  
6,644,490 B2 \* 11/2003 Clarke ..... B65D 43/0212  
220/254.1  
D590,650 S \* 4/2009 Aoki ..... D7/300.2  
7,530,186 B2 \* 5/2009 Kaliner ..... B65D 51/245  
220/254.1  
D651,898 S \* 1/2012 Hess ..... D9/435

D753,999 S \* 4/2016 Crosby ..... D9/447  
D859,048 S \* 9/2019 Murphy ..... D7/300.2  
D885,838 S \* 6/2020 Tobias ..... D7/510  
D887,203 S \* 6/2020 Pan ..... D7/396.2  
D890,568 S \* 7/2020 Davis ..... D7/396.2  
2007/0023442 A1 \* 2/2007 Auzenne ..... B65D 39/0005  
220/801  
2007/0095833 A1 \* 5/2007 Burns ..... B65D 39/16  
220/254.7  
2020/0039684 A1 \* 2/2020 Coffey ..... B65D 51/1688  
2020/0128982 A1 \* 4/2020 Tseng ..... A47G 19/2266

OTHER PUBLICATIONS

U.S. Appl. No. 29/705,387, filed Sep. 11, 2019, Jackson.  
Starbucks Stortfs and News. Straws are out, lids are in: Starbucks  
announces environmental milestone. Website, <https://storied.starbucks.com>, originally downloaded Jul. 9, 2018, 8 pages.  
Plastic Pollution Coalition. Cartoonists React to the Starbucks  
Announcement. Website, <http://www.plasticpollutioncoalition.org>,  
originally downloaded Jul. 27, 2018, 7 pages.

\* cited by examiner

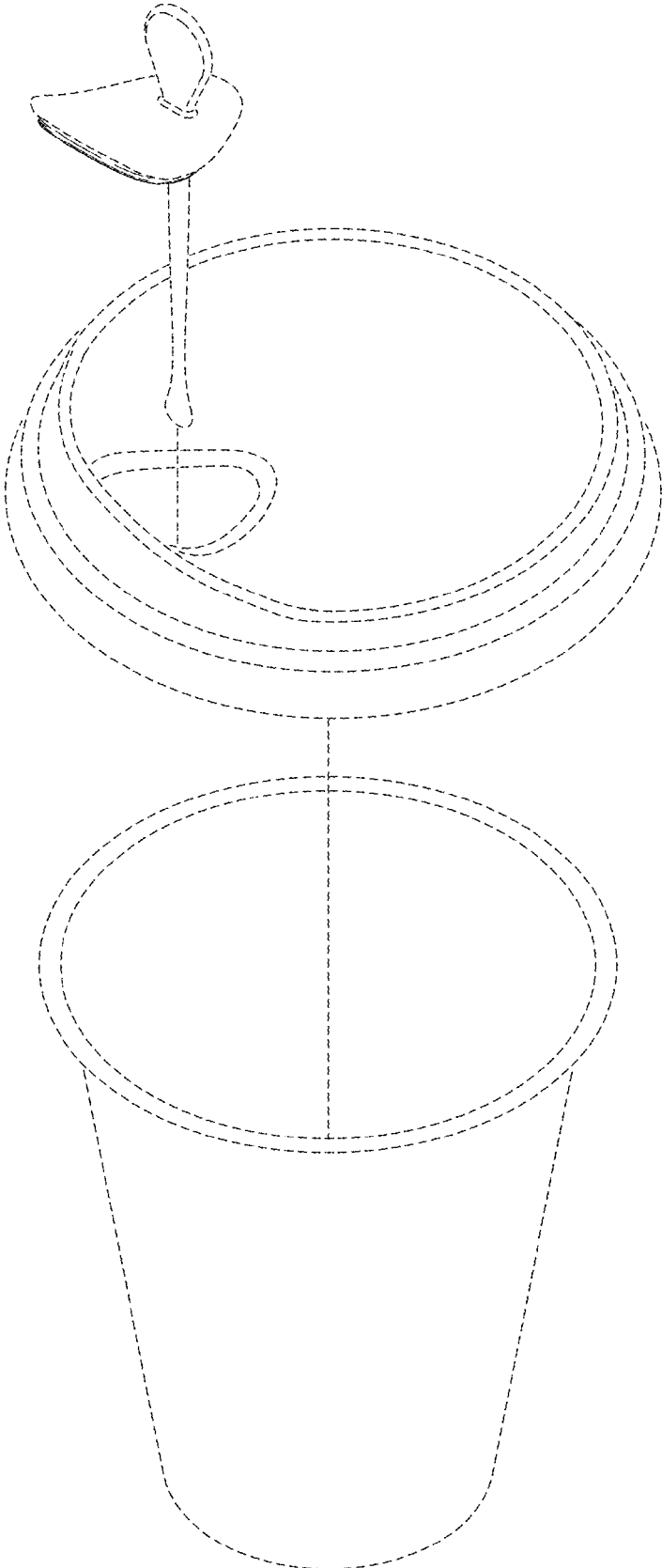


FIG. 1

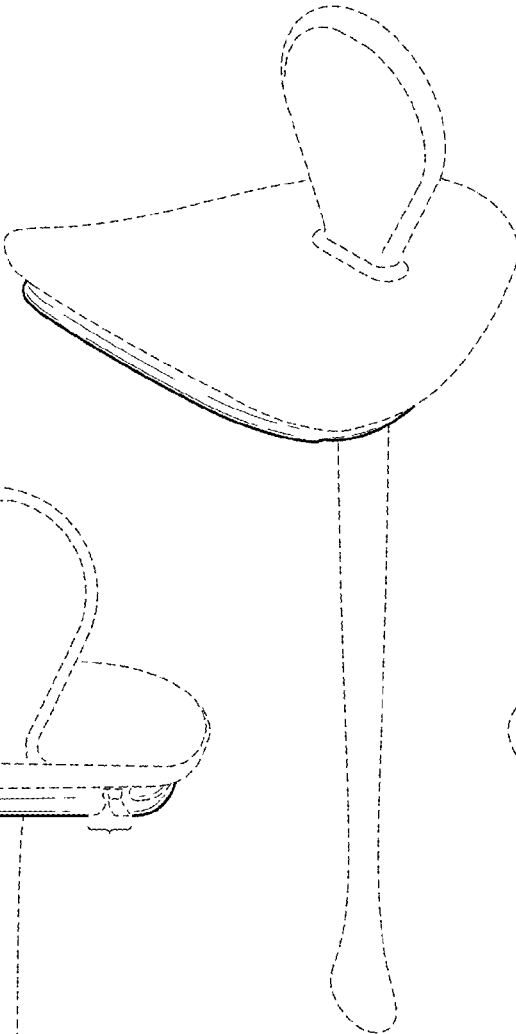


FIG. 2

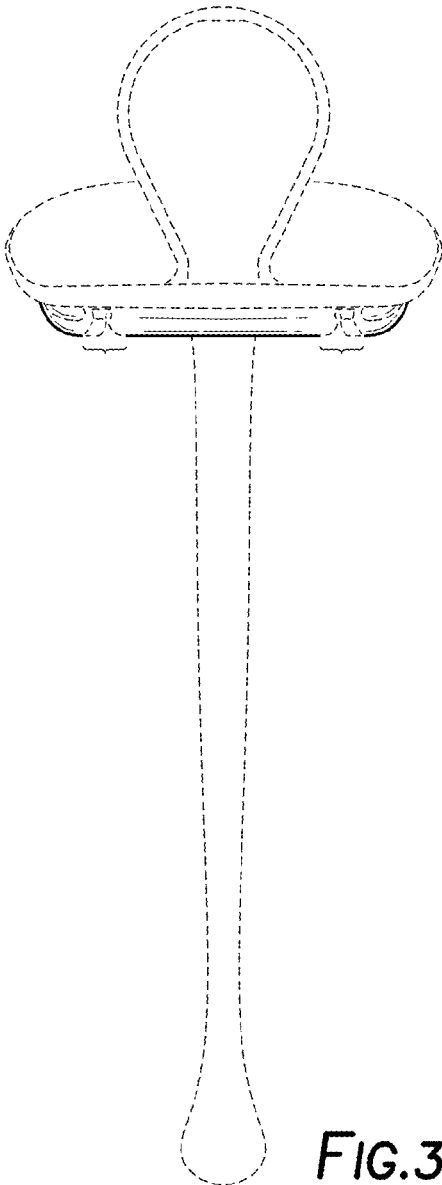


FIG. 3

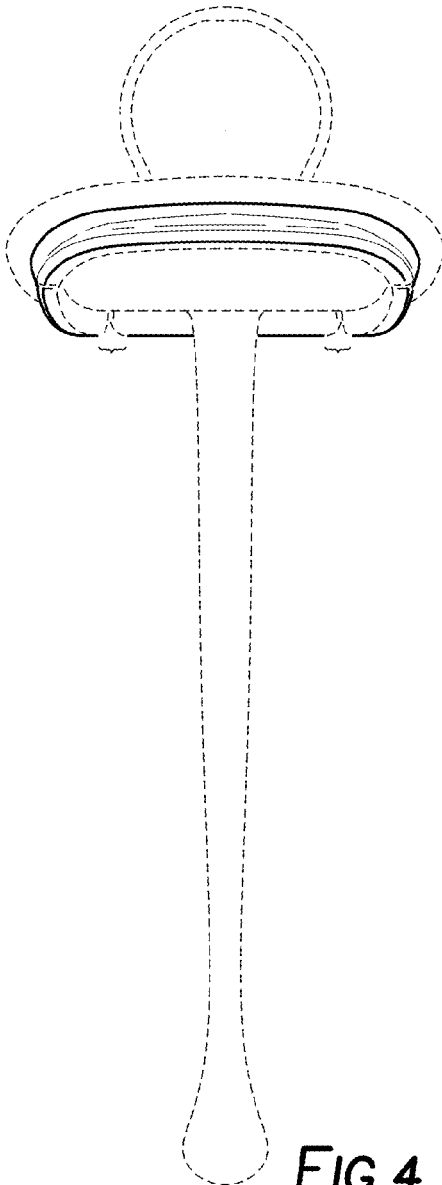


FIG. 4

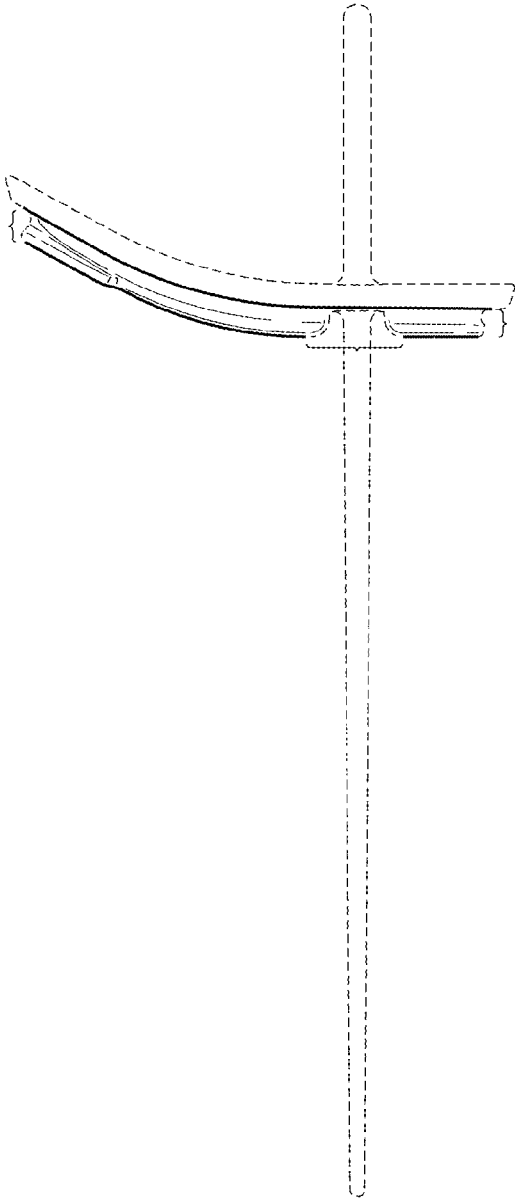


FIG. 5

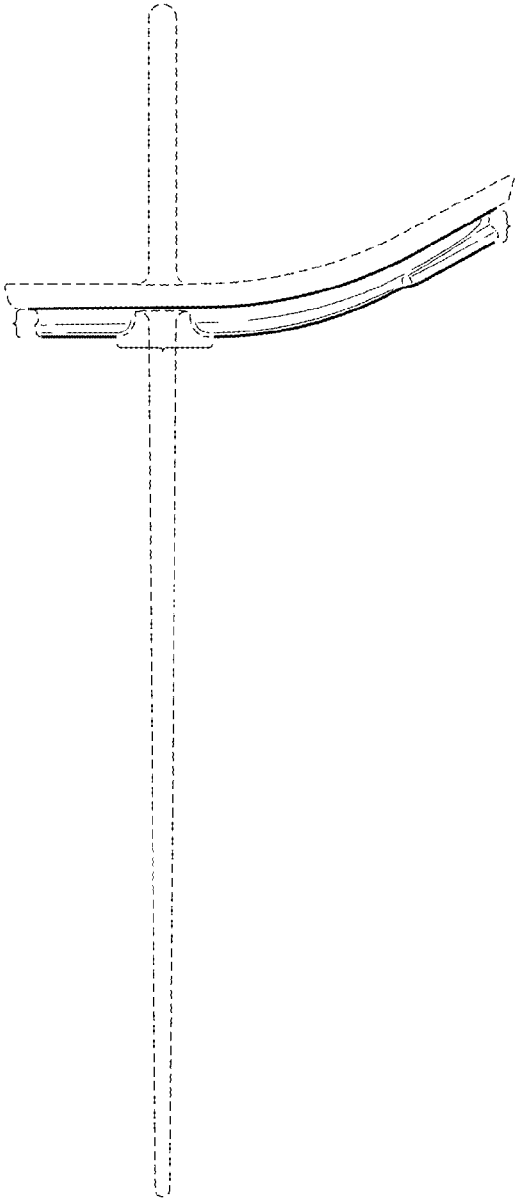


FIG. 6

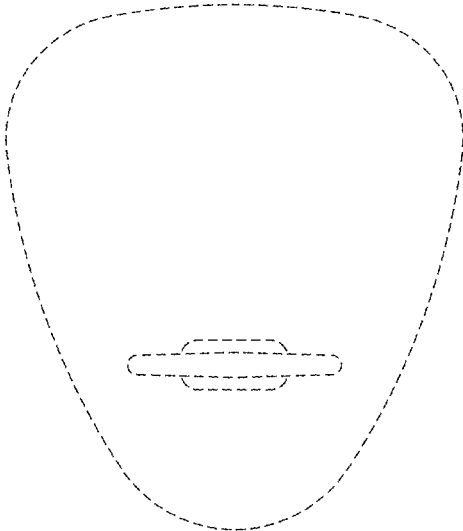


FIG. 7

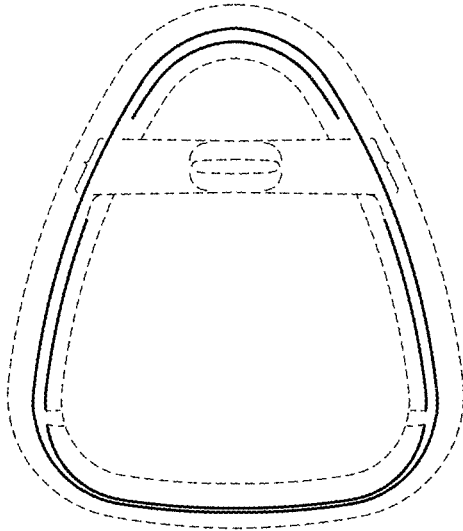


FIG. 8