

(19) World Intellectual Property Organization  
International Bureau



(43) International Publication Date  
12 November 2009 (12.11.2009)

PCT

(10) International Publication Number  
WO 2009/137204 A3

- (51) International Patent Classification:  
A61N 1/372 (2006.01) H04B 5/00 (2006.01)
- (21) International Application Number:  
PCT/US2009/039574
- (22) International Filing Date:  
6 April 2009 (06.04.2009)
- (25) Filing Language: English
- (26) Publication Language: English
- (30) Priority Data:  
12/117,487 8 May 2008 (08.05.2008) US
- (71) Applicant (for all designated States except US):  
BOSTON SCIENTIFIC NEUROMODULATION CORPORATION [US/US]; 25155 Rye Canyon Loop, Valencia, CA 91355 (US).
- (72) Inventors; and
- (75) Inventors/Applicants (for US only): PARRAMON, Jordi [ES/US]; 27631 Cobblestone Court, Valencia, CA 91354 (US). NIMMAGADDA, Kiran [IN/US]; 26127 Mcbean Parkway, Unit 38, Valencia, CA 91355 (US). RAHMAN, Mizanur [BD/US]; 25213 Bishop Court, Stevenson Ranch, CA 91381 (US).
- (74) Agent: LEWIS, Terril, G.; Wong, Cabello, Lutsch, Rutherford, & Bruculeri L.L.P., 20333 Tomball Parkway, Suite 600, Houston, TX 77070 (US).

- (81) Designated States (unless otherwise indicated, for every kind of national protection available): AE, AG, AL, AM, AO, AT, AU, AZ, BA, BB, BG, BH, BR, BW, BY, BZ, CA, CH, CN, CO, CR, CU, CZ, DE, DK, DM, DO, DZ, EC, EE, EG, ES, FI, GB, GD, GE, GH, GM, GT, HN, HR, HU, ID, IL, IN, IS, JP, KE, KG, KM, KN, KP, KR, KZ, LA, LC, LK, LR, LS, LT, LU, LY, MA, MD, ME, MG, MK, MN, MW, MX, MY, MZ, NA, NG, NI, NO, NZ, OM, PG, PH, PL, PT, RO, RS, RU, SC, SD, SE, SG, SK, SL, SM, ST, SV, SY, TJ, TM, TN, TR, TT, TZ, UA, UG, US, UZ, VC, VN, ZA, ZM, ZW.
- (84) Designated States (unless otherwise indicated, for every kind of regional protection available): ARIPO (BW, GH, GM, KE, LS, MW, MZ, NA, SD, SL, SZ, TZ, UG, ZM, ZW), Eurasian (AM, AZ, BY, KG, KZ, MD, RU, TJ, TM), European (AT, BE, BG, CH, CY, CZ, DE, DK, EE, ES, FI, FR, GB, GR, HR, HU, IE, IS, IT, LT, LU, LV, MC, MK, MT, NL, NO, PL, PT, RO, SE, SI, SK, TR), OAPI (BF, BJ, CF, CG, CI, CM, GA, GN, GQ, GW, ML, MR, NE, SN, TD, TG).

Published:

- with international search report (Art. 21(3))
- before the expiration of the time limit for amending the claims and to be republished in the event of receipt of amendments (Rule 48.2(h))

(88) Date of publication of the international search report:  
7 January 2010

(54) Title: TRANSCIVER FOR AN IMPLANTABLE MEDICAL DEVICE HAVING SWITCHABLE SERIES-TO-PARALLEL TANK CIRCUIT

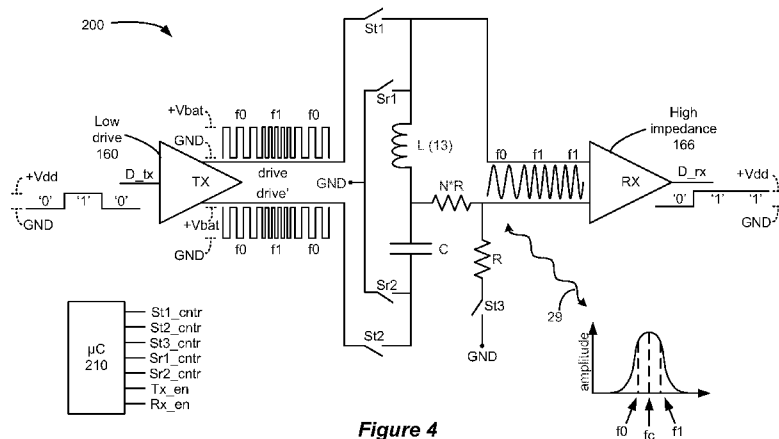


Figure 4

(57) Abstract: An improved transceiver circuit particularly useful in an inductively coupled wireless communication system such as an implantable medical device system is disclosed. The improved transceiver circuit is switchable to assume a serial L-C configuration in the transmit mode and a parallel L-C configuration in the receive mode, but does not require high voltage switches. A low-drive transmitter and a high-input-impedance receiver are used, which reduces power consumption in receive mode, while still maintaining good transmitter performance.

WO 2009/137204 A3

INTERNATIONAL SEARCH REPORT

International application No  
PCT/US2009/039574

A. CLASSIFICATION OF SUBJECT MATTER  
INV. A61N1/372 H04B5/00

According to International Patent Classification (IPC) or to both national classification and IPC

B. FIELDS SEARCHED

Minimum documentation searched (classification system followed by classification symbols)  
A61N H04B

Documentation searched other than minimum documentation to the extent that such documents are included in the fields searched

Electronic data base consulted during the international search (name of data base and, where practical, search terms used)

EPO-Internal

C. DOCUMENTS CONSIDERED TO BE RELEVANT

Category*	Citation of document, with indication, where appropriate, of the relevant passages	Relevant to claim No.
X	US 2005/111682 A1 (ESSABAR MOHAMAD [DK] ET AL ESSABAR MOHAMAD [DK] ET AL) 26 May 2005 (2005-05-26) abstract paragraphs [0005] - [0009] paragraphs [0031] - [0041]	1,2,4,5, 7-13
Y		3,6
Y	US 5 999 857 A (WEIJAND KOEN J [NL] ET AL) 7 December 1999 (1999-12-07) abstract column 4, lines 30-67 column 5, lines 19-61	3,6
A	WO 00/24456 A (PHILLIPS RICHARD P [US]) 4 May 2000 (2000-05-04) abstract figures 4,7	1-13

Further documents are listed in the continuation of Box C.

See patent family annex.

\* Special categories of cited documents :

\*A\* document defining the general state of the art which is not considered to be of particular relevance

\*E\* earlier document but published on or after the international filing date

\*L\* document which may throw doubts on priority claim(s) or which is cited to establish the publication date of another citation or other special reason (as specified)

\*O\* document referring to an oral disclosure, use, exhibition or other means

\*P\* document published prior to the international filing date but later than the priority date claimed

\*T\* later document published after the international filing date or priority date and not in conflict with the application but cited to understand the principle or theory underlying the invention

\*X\* document of particular relevance; the claimed invention cannot be considered novel or cannot be considered to involve an inventive step when the document is taken alone

\*Y\* document of particular relevance; the claimed invention cannot be considered to involve an inventive step when the document is combined with one or more other such documents, such combination being obvious to a person skilled in the art.

\*Z\* document member of the same patent family

Date of the actual completion of the international search

6 November 2009

Date of mailing of the international search report

16/11/2009

Name and mailing address of the ISA/

European Patent Office, P.B. 5818 Patentlaan 2  
NL - 2280 HV Rijswijk  
Tel. (+31-70) 340-2040,  
Fax: (+31-70) 340-3016

Authorized officer

Ferrigno, Antonio

## INTERNATIONAL SEARCH REPORT

International application No  
PCT/US2009/039574

C(Continuation). DOCUMENTS CONSIDERED TO BE RELEVANT

Category*	Citation of document, with indication, where appropriate, of the relevant passages	Relevant to claim No.
A	US 2004/039423 A1 (DOLGIN ALEXANDER [US]) 26 February 2004 (2004-02-26) abstract paragraphs [0004] - [0009], [0029] paragraphs [0032], [0053] -----	1-13

# INTERNATIONAL SEARCH REPORT

Information on patent family members

International application No PCT/US2009/039574
---

Patent document cited in search report	Publication date	Patent family member(s)	Publication date
US 2005111682 A1	26-05-2005	AT 373401 T CA 2547414 A1 CN 101002504 A DE 602004008962 T2 DK 1688016 T3 EP 1688016 A1 WO 2005055654 A1	15-09-2007 16-06-2005 18-07-2007 29-05-2008 05-11-2007 09-08-2006 16-06-2005
US 5999857 A	07-12-1999	NONE	
WO 0024456 A	04-05-2000	CA 2348072 A1 EP 1131133 A1 US 6240318 B1	04-05-2000 12-09-2001 29-05-2001
US 2004039423 A1	26-02-2004	AU 2003265530 A1 CA 2495819 A1 EP 1534381 A1 JP 2005536286 T WO 2004018037 A1	11-03-2004 04-03-2004 01-06-2005 02-12-2005 04-03-2004