

(19) World Intellectual Property Organization  
International Bureau



(43) International Publication Date  
27 December 2007 (27.12.2007)

PCT

(10) International Publication Number  
**WO 2007/149251 A3**

- (51) International Patent Classification:  
*H02G 3/06* (2006.01)
- (21) International Application Number:  
PCT/US2007/013669
- (22) International Filing Date: 11 June 2007 (11.06.2007)
- (25) Filing Language: English
- (26) Publication Language: English
- (30) Priority Data:  
11/425,625 21 June 2006 (21.06.2006) US
- (71) Applicant (for all designated States except US): **ADC TELECOMMUNICATIONS, INC.** [US/US]; 13625 Technology Drive, Eden Prairie, MN 55344-2252 (US).
- (72) Inventors; and
- (75) Inventors/Applicants (for US only): **RAPP, David, E.** [US/US]; 18524 Pathfinder Drive, Eden Prairie, MN 55347 (US). **TINUCCI, Thomas, C.** [US/US]; 2166 Wellers Circle, Chaska, MN 55318 (US). **SAYRES, Derek** [US/US]; 422 Grand Avenue S.W., Lonsdale, MN 55046-8504 (US).

**BARNES, Thomas, L.** [US/US]; 7593 Debbie Lane, Eden Prairie, MN 55346 (US).

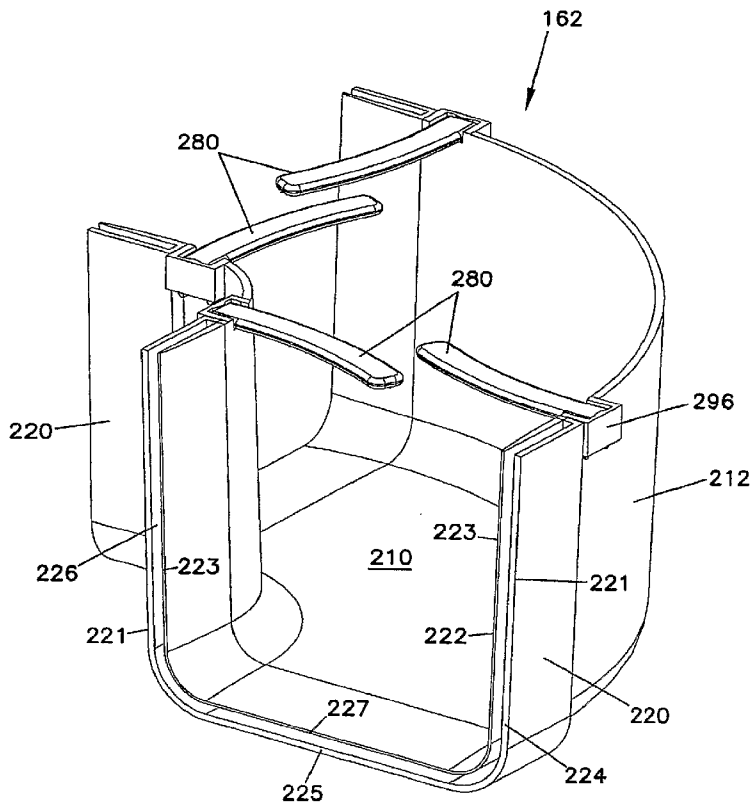
(74) Agent: **KOWALCHYK, Katherine, M.**; Merchant & Gould P.C., P.O. box 2903, Minneapolis, MN 55402-0903 (US).

(81) Designated States (unless otherwise indicated, for every kind of national protection available): AE, AG, AL, AM, AT, AU, AZ, BA, BB, BG, BH, BR, BW, BY, BZ, CA, CH, CN, CO, CR, CU, CZ, DE, DK, DM, DO, DZ, EC, EE, EG, ES, FI, GB, GD, GE, GH, GM, GT, HN, HR, HU, ID, IL, IN, IS, JP, KE, KG, KM, KN, KP, KR, KZ, LA, LC, LK, LR, LS, LT, LU, LY, MA, MD, ME, MG, MK, MN, MW, MX, MY, MZ, NA, NG, NI, NO, NZ, OM, PG, PH, PL, PT, RO, RS, RU, SC, SD, SE, SG, SK, SL, SM, SV, SY, TJ, TM, TN, TR, TT, TZ, UA, UG, US, UZ, VC, VN, ZA, ZM, ZW.

(84) Designated States (unless otherwise indicated, for every kind of regional protection available): ARIPO (BW, GH, GM, KE, LS, MW, MZ, NA, SD, SL, SZ, TZ, UG, ZM, ZW), Eurasian (AM, AZ, BY, KG, KZ, MD, RU, TJ, TM),

[Continued on next page]

(54) Title: CABLE ROUTING DEVICES WITH INTEGRATED COUPLERS



(57) Abstract: A fitting for a cable trough system, the fitting including a bottom wall and side walls extending from at least a first terminal end to a second terminal end and forming a trough therebetween, the side walls being curved in a longitudinal direction, and an end portion formed at each of the first and second terminal ends, the end portion including first and second guiding surfaces defining a space therebetween, and a spring member positioned in the space. The space is sized to receive a terminal end of a trough member of the cable trough system, and wherein the spring member is positioned to engage the terminal end of the trough member to couple the trough member to the fitting. Other cable routing devices can also be used.

WO 2007/149251 A3



European (AT, BE, BG, CH, CY, CZ, DE, DK, EE, ES, FI, FR, GB, GR, HU, IE, IS, IT, LT, LU, LV, MC, MT, NL, PL, PT, RO, SE, SI, SK, TR), OAPI (BF, BJ, CF, CG, CI, CM, GA, GN, GQ, GW, ML, MR, NE, SN, TD, TG).

— *before the expiration of the time limit for amending the claims and to be republished in the event of receipt of amendments*

**Published:**

— *with international search report*

**(88) Date of publication of the international search report:**

24 April 2008

**INTERNATIONAL SEARCH REPORT**

International application No

PCT/US2007/013669

**A. CLASSIFICATION OF SUBJECT MATTER**

INV. H02G3/06

According to International Patent Classification (IPC) or to both national classification and IPC

**B. FIELDS SEARCHED**

Minimum documentation searched (classification system followed by classification symbols)  
H02G

Documentation searched other than minimum documentation to the extent that such documents are included in the fields searched

Electronic data base consulted during the international search (name of data base and, where practical, search terms used)

EPO-Internal

**C. DOCUMENTS CONSIDERED TO BE RELEVANT**

Category*	Citation of document, with indication, where appropriate, of the relevant passages	Relevant to claim No.
A	US 2004/051007 A1 (BERNARD WILLIAM A [US] ET AL) 18 March 2004 (2004-03-18) paragraph [0015] - paragraph [0020]; figures 1-15 paragraph [0026]	1-17, 19-23
A	US 3 351 699 A (MERCKLE CLAUDE O) 7 November 1967 (1967-11-07) column 3, line 66 - column 4, line 28; figures 1-12	1-17, 19-23

Further documents are listed in the continuation of Box C.

See patent family annex.

\* Special categories of cited documents :

- \*A\* document defining the general state of the art which is not considered to be of particular relevance
- \*E\* earlier document but published on or after the international filing date
- \*L\* document which may throw doubts on priority claim(s) or which is cited to establish the publication date of another citation or other special reason (as specified)
- \*O\* document referring to an oral disclosure, use, exhibition or other means
- \*P\* document published prior to the international filing date but later than the priority date claimed

- \*T\* later document published after the international filing date or priority date and not in conflict with the application but cited to understand the principle or theory underlying the invention
- \*X\* document of particular relevance; the claimed invention cannot be considered novel or cannot be considered to involve an inventive step when the document is taken alone
- \*Y\* document of particular relevance; the claimed invention cannot be considered to involve an inventive step when the document is combined with one or more other such documents, such combination being obvious to a person skilled in the art.
- \*&\* document member of the same patent family

Date of the actual completion of the international search

13 December 2007

Date of mailing of the international search report

05/03/2008

Name and mailing address of the ISA/

European Patent Office, P.B. 5818 Patentlaan 2  
NL - 2280 HV Rijswijk  
Tel. (+31-70) 340-2040, Tx. 31 651 epo nl,  
Fax: (+31-70) 340-3016

Authorized officer

Kugler, Daniel

# INTERNATIONAL SEARCH REPORT

International application No.  
PCT/US2007/013669

## Box No. II Observations where certain claims were found unsearchable (Continuation of item 2 of first sheet)

This International search report has not been established in respect of certain claims under Article 17(2)(a) for the following reasons:

1.  Claims Nos.:  
because they relate to subject matter not required to be searched by this Authority, namely:
  
2.  Claims Nos.:  
because they relate to parts of the international application that do not comply with the prescribed requirements to such an extent that no meaningful international search can be carried out, specifically:
  
3.  Claims Nos.:  
because they are dependent claims and are not drafted in accordance with the second and third sentences of Rule 6.4(a).

## Box No. III Observations where unity of invention is lacking (Continuation of item 3 of first sheet)

This International Searching Authority found multiple inventions in this international application, as follows:

see additional sheet

1.  As all required additional search fees were timely paid by the applicant, this international search report covers allsearchable claims.
  
2.  As all searchable claims could be searched without effort justifying an additional fees, this Authority did not invite payment of additional fees.
  
3.  As only some of the required additional search fees were timely paid by the applicant, this international search report covers only those claims for which fees were paid, specifically claims Nos.:
  
4.  No required additional search fees were timely paid by the applicant. Consequently, this international search report is restricted to the invention first mentioned in the claims; it is covered by claims Nos.:  
1-17, 19-23

### Remark on Protest

- The additional search fees were accompanied by the applicant's protest and, where applicable, the payment of a protest fee.
- The additional search fees were accompanied by the applicant's protest but the applicable protest fee was not paid within the time limit specified in the invitation.
- No protest accompanied the payment of additional search fees.

FURTHER INFORMATION CONTINUED FROM PCT/ISA/ 210

This International Searching Authority found multiple (groups of) inventions in this international application, as follows:

1. claims: 1-17,19-23

End portions of cable trough elements having means for connecting trough elements together  
---

2. claim: 18

Finger for maintaining cables in trough elements  
---

# INTERNATIONAL SEARCH REPORT

Information on patent family members

International application No

PCT/US2007/013669

Patent document cited in search report	Publication date	Patent family member(s)	Publication date
US 2004051007	A1	18-03-2004	NONE
US 3351699	A	07-11-1967	NONE