

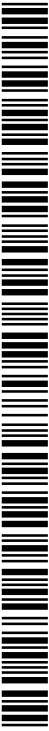


- (51) International Patent Classification:  
*H01R 13/514* (2006.01) *H01R 12/71* (2011.01)
- (21) International Application Number:  
PCT/US2016/017350
- (22) International Filing Date:  
10 February 2016 (10.02.2016)
- (25) Filing Language: English
- (26) Publication Language: English
- (30) Priority Data:  
62/114,197 10 February 2015 (10.02.2015) US
- (71) Applicant: **MOLEX, LLC** [US/US]; 2222 Wellington Court, Lisle, Illinois 60532 (US).
- (72) Inventors: **RESENDEZ, Javier**; c/o Molex, LLC, 2222 Wellington Court, Lisle, Illinois 60532 (US). **JANOTA, Kenneth F.**; c/o Molex, LLC, 2222 Wellington Court, Lisle, Illinois 60532 (US).
- (74) Agent: **MOON, Clarence R.**; Molex, LLC, 2222 Wellington Court, Lisle, Illinois 60532 (US).

- (81) Designated States (unless otherwise indicated, for every kind of national protection available): AE, AG, AL, AM, AO, AT, AU, AZ, BA, BB, BG, BH, BN, BR, BW, BY, BZ, CA, CH, CL, CN, CO, CR, CU, CZ, DE, DK, DM, DO, DZ, EC, EE, EG, ES, FI, GB, GD, GE, GH, GM, GT, HN, HR, HU, ID, IL, IN, IR, IS, JP, KE, KG, KN, KP, KR, KZ, LA, LC, LK, LR, LS, LU, LY, MA, MD, ME, MG, MK, MN, MW, MX, MY, MZ, NA, NG, NI, NO, NZ, OM, PA, PE, PG, PH, PL, PT, QA, RO, RS, RU, RW, SA, SC, SD, SE, SG, SK, SL, SM, ST, SV, SY, TH, TJ, TM, TN, TR, TT, TZ, UA, UG, US, UZ, VC, VN, ZA, ZM, ZW.
- (84) Designated States (unless otherwise indicated, for every kind of regional protection available): ARIPO (BW, GH, GM, KE, LR, LS, MW, MZ, NA, RW, SD, SL, ST, SZ, TZ, UG, ZM, ZW), Eurasian (AM, AZ, BY, KG, KZ, RU, TJ, TM), European (AL, AT, BE, BG, CH, CY, CZ, DE, DK, EE, ES, FI, FR, GB, GR, HR, HU, IE, IS, IT, LT, LU, LV, MC, MK, MT, NL, NO, PL, PT, RO, RS, SE, SI, SK, SM, TR), OAPI (BF, BJ, CF, CG, CI, CM, GA, GN, GQ, GW, KM, ML, MR, NE, SN, TD, TG).

**Published:**

— with international search report (Art. 21(3))



WO 2016/130676 A1

(54) Title: CABLE CONNECTOR

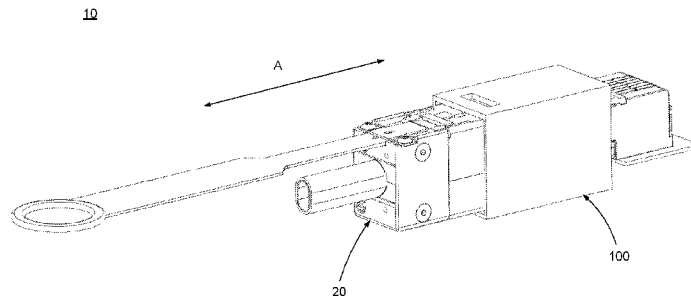


FIG 1

(57) Abstract: A cable connector assembly includes a first connector configured to mate with a second connector. The first connector has a first housing that supports a wafer with a first mating portion defined by the first housing and the wafer. The first connector includes a cable connected to the wafer that is disposed in a first housing. The first connector also includes a second housing with a latch and the second housing is movably mounted to the first housing. A biasing element disposed between the first housing and the second housing acts to urge the first housing and the second housing apart.

## CABLE CONNECTOR

### RELATED APPLICATIONS

[0001] This application claims priority to United States Provisional Application No. 62/114,197, filed on February 10, 2015 which is incorporated herein by reference in its entirety.

### FIELD OF THE INVENTION

[0002] The current disclosure is directed to the field of cable connector assemblies and more particularly to a cable connector assembly with a spring-loaded backshell latching body.

### DESCRIPTION OF RELATED ART

[0003] With any typical backshell latching connector cable solution, there is always a chance of the cable assembly connector not being fully seated in the receiving connector due to tolerance stack up – accounting for parts normal process variation and clearances between the latching components and corresponding catch point of a mating connector assembly, this results in degradation of SI performance (e.g., Impedance, Return Loss, Xtalk).

[0004] In these types of connector assemblies, the complexity and the sheer number of components lead to this tolerance stackup. Typically, this leads to a loose fit between a plug and receptacle and the consequently and unstable connection. Examples of this can be unintentional un-mating due to vibration, user error in the sense that the connectors are not fully inserted. Certainly, individuals can appreciate a cost effective improved connector latching system that accounts for this stackup and minimizes the possibility of incomplete mating of a plug and receptacle cable connector system.

### BRIEF SUMMARY

[0005] According to the disclosure an embodiment, a cable connector system is provided that includes a cable connector having a latching mechanism and a receptacle connector configured to mate with the cable connector and be securely retained by the latching mechanism. The latch mechanism is integrated into the cable connector and includes an

integrated pull member that actuates a locking hook. By grasping the pull, an actuation member formed in the pull deflects the locking member out of engagement with a retention member formed on the receptacle.

[0006] In an embodiment of the cable connector system, the cable connector or plug connector includes a moveable spring loaded backshell assembly which is incorporated into the cable connector by the use of a spring-loaded latching body, axially coupled to the main backshell cable connector body via guide pins, springs and shoulder screws. The guide pins provide guidance and alignment for the moveable body. The springs provide the force to overcome initial mating force and the system for absorbing physical tolerances, resulting in the cable connector being spring loaded in the mating direction within the receiving connector. The shoulder screw retains the moveable body to the main backshell body and allows relative movement between the mating portion of the cable connector and the latching portion of the cable connector.

#### BRIEF DESCRIPTION OF THE DRAWINGS

[0007] The present invention is illustrated by way of example and not limited in the accompanying figures in which like reference numerals indicate similar elements and in which:

[0008] FIG. 1 is a perspective view of the cable connector assembly;

[0009] FIG. 2 is a partial exploded view of the cable connector assembly of FIG. 1;

[0010] FIG. 3 is an exploded view of the cable connector of the cable connector assembly of FIG. 1;

[0011] FIG. 4 is a perspective sectional view of the cable connector assembly with the cable connector unmated from the receptacle ;

[0012] FIG. 5 is a sectional view of the cable connector assembly of FIG. 4;

[0013] FIG. 6 is a detailed view of the latching mechanism of the cable connector;

[0014] FIG. 7 is a perspective sectional view of the cable connector assembly; and

[0015] FIG. 8 is a sectional view of the cable connector assembly of FIG. 6.

## DETAILED DESCRIPTION

[0016] The appended figures illustrate an embodiment of a cable connector assembly 10 and it is to be understood that the embodiment described and illustrated is merely exemplary of the disclosure, which may be embodied in different forms. Therefore, specific details disclosed herein are not to be interpreted as limiting, but merely as a basis for the claims and as a representative basis for teaching one skilled in the art to variously employ the present disclosure.

[0017] One or more embodiments of the disclosure utilize a modular construction and are typically used in the area of high data rate signal transmission that generally include a cable connector and a backplane connector. The cable connector typically includes a plurality of wafers disposed in a housing with a multi conductor cable conducted to individual terminals within the wafers. The cable connector is configured to be mated to a backplane or to other suitable receptacles that may also include a plurality of wafers with integrally molded terminals. The receptacle includes a cage or can be mounted in a cabinet with panel access. Typical equipment include servers and other telecommunications hardware.

[0018] As best shown in FIG. 1 and 2 the cable connector assembly 10 includes a first connector 10 and a second connector 100, and within the scope of this description, the first connector is referred generally as a plug and the second connector generally as a receptacle. The plug 10 and receptacle 100 are connected together or mated along a mating direction or insertion direction A. The receptacle 100 typically is configured as a backplane or right angle type connector 110 is mounted on a circuit board. The receptacle 100 is generally housed with a cabinet or cage and for simplicity, is shown to be disposed in a box 120. The box 120 being adapted to receive the plug connector 20.

[0019] As best shown in FIG. 3, the plug 20 includes a cable connection portion 80 having a first housing 82 and a cover 84. A plurality of wafers (not shown) are positioned within the connection portion 80. The housing 82 and cover 84 are secured together by screws with the wafers retained therein. A multi conductor cable 18 is adapted to be connected to the individual terminals with each wafer and exits a rear portion of connection portion 80. The plug 20 further includes a second housing 50 and respective wall 70 which are also secured together by screws 76. Dowels 54, springs 56 and shoulder screws hold the second housing

50 to the first housing 82 and cover 84. A latching mechanism including a pull 30 and bracket 40 are in turn secured to the second housing 50 by additional screws 48.

**[0020]** As best illustrated in FIGS. 3-5, the construction of the plug 20 will now be described. The plug 20 includes a connection portion 80. The connection portion 80 includes a main housing 82 and a cover 84 that cooperatively form a cavity therein. Within the cavity a wafer 16 is disposed and positioned with a channel formed in the housing 82 and cover 84 to align and secure the wafers 16 therein. A cable 18 including a plurality of conductors is connected to the wafer 16. In the embodiment shown, the individual conductors are omitted from the illustrations to simplify the description. Each wafer includes a plurality of electrical terminals integrally molded within a frame creating. Multiple wafers are arranged in a side by side relationship and inserted into the main housing 82 and secured in place by the cover 84. Each individual conductor of the cable is soldered or welded to an appropriate mounting tab on the terminal completing the connection portion of the plug 20.

**[0021]** As further illustrated in FIG. 3, a second housing 50 is mounted to the cable side portion of the connection portion 80 of the plug 20. The second housing 50 includes a space 53 formed that is adapted to fit over a protruding portion 83 formed on the main housing 82 and cover 84 of the connection portion 80. As further illustrated, when the second housing 50 is mounted on the protruding portion 83, a first surface 51 of the second housing 50 confronts a second surface 85 formed on the housing 82 and cover 84 of the connection portion 80. The space 53 and the protruding portion 83 are similar in shape and allows for relative movement of the connection portion 80 to the second housing 53 the mating direction A.

**[0022]** To align the second housing 50 to the first connection portion 80, dowels 54 are positioned in respective recesses formed in the first surface 51 and the second surface 85, allowing translation in the mating direction A. Helical coils springs 56 are placed in corresponding location holes formed in the second housing 50 on the first surface 51 and abut the confronting second surface 85. The length of each helical coil spring is greater than the depth of the location holes they are received in, therefore a portion of each spring 56 extends beyond the first surface 51. Shoulder screws 52 are inserted through the second housing 50 and threaded into mounting holes formed in the main housing 82 and cover 84 securing the second housing 50 to the connection portion 80. In this configuration, the helical coil springs

56 are compressed and affect a separating force between the connection portion 80 and the second housing 50. This is best illustrated in FIGS. 4-5.

[0023] The helical coil springs 56 have specific geometry to meet certain force characteristics of the cable connector assembly 10. In this case, the helical coils springs 56 are design to exhibit a substantial separating force in the amount equal to the mating force of the connector system 10 or even slightly greater. In the embodiment shown, helical coil springs 56 were used, but other biasing elements can be adapted for this purpose, these include but are not limited to leaf springs and torsion springs. The built up separating force between the connection portion 80 and the second housing 50 is required to compensate for slop and uncertainty due to tolerances.

[0024] A latching mechanism including a pull 30 and a bracket 40 is secured to the second housing 50. The pull 30 is formed from a flexible material and includes a finger grip 31 formed at one end and an actuator 32 formed at a second end of the pull 30. As best shown in FIG.3 the bracket 40 includes a mounting portion 41 and locking portion 46 with an intermediate body portion 43 connecting both ends. The body portion 43 of the bracket 40 is positioned between the actuator 32 of the pull 30 and the second housing 50 as best shown in FIGS. 4 and 5. Additionally, wing portions 37 formed on the pull 30 are formed adjacent the actuator 32 and are disposed in channels 87 formed in the main housing 82 whereby to guide and retain the actuator 32 of the pull 30. The bracket 40 is secured to the second housing 50 by screws 48. A wall 70 is secured to the second housing 50 by screws 76 to laterally retain the second housing 50 to the connection portion 80.

[0025] Upon complete assembly of the plug 20, as depicted in FIG. 6, the second housing 50 is movable with respect to the housing parts 82, 84 of the connection portion 80. The second housing 50 with the attached latching mechanism translates in an axial direction A, riding on the shoulder screws 52. The shoulder screws 52 limit the translation along the mating direction A. As further illustrated, a gap G is defined between the connection portion 80 and the second housing 50 which represents the amount of travel or stroke between the connection portion 80 and the second housing 50. It should be noted that gap G as shown in FIG. 6 is exaggerated to illustrated amount of translation previously stated. The gap G is defined by the specific application and usage of the cable connector system 10. Some application may require additional float or compensation sue to the amount of play within the connector system 10.

[0026] As shown in FIGS. 7-8, the cable connector assembly 10 is shown in its fully coupled state, that is, electrical connections are made between corresponding electrical terminals of both the plug 20 and receptacle 100 and the connectors 20, 100 are mechanically locked together. In operation, this is accomplished by first aligning the plug 20 with the opening 123 of the box 120 in the receptacle 100. The plug 20 is advanced within the opening 123 and engagement between the electrical terminals of each wafer is initiated. Upon further insertion, the terminals of respective wafers mated further and the locking portion 46 of the bracket 40 engages the box 120. The ramped portions 47 of the locking portion 46 ride on the edge of the box 120 and deflect the locking portion 46 of the bracket 40. Upon complete insertion the locking portion 46 enters the windows 122 formed in the box 120 which secure the plug 20 to receptacle 100.

[0027] Once the plug 20 is completely mated with the receptacle 100, the separating force developed between the connection portion 80 and the second housing 50 is now transferred to the mating interface between the connection portion 80 of the plug 20 and the wafers 16 of the receptacle 100. This is explained further by looking at the elements that are linked together in the mated assembly, similar to evaluating a tolerance stack-up. A direct mechanical connection is present between the box 120 and the wafers 16, essentially locking the position of these elements together. The mating of the plug 20 to receptacle 100 creates a direct connection between the latching mechanism and the second housing 50 of the plug 20 to the box 120. Since the latching mechanism is directly connected to the second housing 50, the separating force is now transferred from the second housing 50 to the box 120 due to this direct connection. This results in the separating force being transferred to the mating interface between the connection portion 80 and the wafers 16. In other words, the connection portion 80 of the plug 20 is biased in a connection direction to the wafers 16 and therefore minimizing any potential unmated conditions.

[0028] In another usage, an excessive amount of compensation can be added to the cable connector system 10 to provide feedback to assure that the plug 20 and receptacle 100 are actually completely connected. This can be illustrated by way of example. With an increased compensation, the plug 20 and receptacle 100, upon mating, the locking portion 46 of latching mechanism must be received in the window 122 of the box 120 to assure complete mating. If this is not the case, the movable portion of the plug 20, the second housing 50 and latching mechanism, will be automatically forced out of the box 120, indicating that the

locking portion 46 is not received in the window 122 and consequently, the plug 20 is not latched to the box 120 and connection is not made

**[0029]** To disconnect the plug 20 and the receptacle 100, the pull 30 of the latching mechanism is grasped and retracted. The actuator 32 of the pull rides along channels 87 and deflects the locking portion 46 out of engagement with the windows 122 of the box 120. The plug can now be removed from the box 120 and unmating is accomplished.

**[0030]** It will be understood that there are numerous modifications of the illustrated embodiments described above which will be readily apparent to one skilled in the art, such as many variations and modifications of the compression connector assembly and/or its components including combinations of features disclosed herein that are individually disclosed or claimed herein, explicitly including additional combinations of such features, or alternatively other types of contact array connectors. Also, there are many possible variations in the materials and configurations.

We claim:

1. A connector comprising:
  - a main housing having a protrusion and a cover defining a cavity;
  - a plurality of wafers positioned in the cavity;
  - a cable assembly including a plurality of differential pair cables, the differential pair cables connected to terminals respectively supported by the plurality of wafers;
  - a second housing having a wall that defines a space that receives the protrusion, the second housing attached to the main housing in a slidable manner;
  - a latching member mounted on the second housing, the latching member including a pull movably mounted to the first housing by a bracket, the bracket having a locking portion; and
  - a biasing member disposed between the first housing and the second housing, the biasing member urging the first and second housings apart.
2. The connector of claim 1, wherein the biasing member is a coil spring.
3. The connector of claim 1, wherein the bracket is made from metal.
4. The connector of claim 1, wherein the second housing includes two walls that define the space.
5. The connector of claim 1, wherein the second housing is mounted to the first housing by collar screws.
6. The connector of claim 1, wherein an actuating portion is formed on the pull, the actuation portion configured to deflect the locking portion.
7. The connector of claim 1, wherein the locking portion is a hook.
8. The connector of claim 1, wherein the cable is securely retained by the first housing.

9. A connector comprising:

a first connector including a housing and a plurality of wafers at least partially positioned within the main housing, the main housing and the wafers defining a first mating portion, the housing disposed in a mounting box, the mounting box having an opening and an aperture formed in the mounting box; and

a second connector, the second connector configured to be inserted into the opening, the second connector including:

a main housing defining a cavity and a plurality of wafers positioned in the cavity, the wafers having terminals secured within the wafer, the first housing and the wafers defining a second mating portion;

a cable assembly including conductors connected to the terminals held within the wafer,

a second housing having a cover, the second housing fitted to the first housing in a slidable manner, the second housing further including a biasing member disposed between the first housing and the second housing,

a latching member mounted on the second housing, the latching member includes a pull movably mounted to the first housing by a bracket, the bracket having a locking portion; and

wherein the locking portion engages the aperture and the biasing member urges the mating portions of the connectors into engagement.

10. The connector assembly of claim 9, wherein the biasing member is a coil spring.

11. The connector assembly of claim 9, wherein the bracket is made from spring steel.

12. The connector assembly of claim 9, wherein the locking portion is a hook.

13. The connector assembly of claim 9, wherein the second housing of the second housing is secured to the first housing of the second connector by collar screws.

14. The connector assembly of claim 13, wherein the main housing is aligned to the second housing by a dowel.

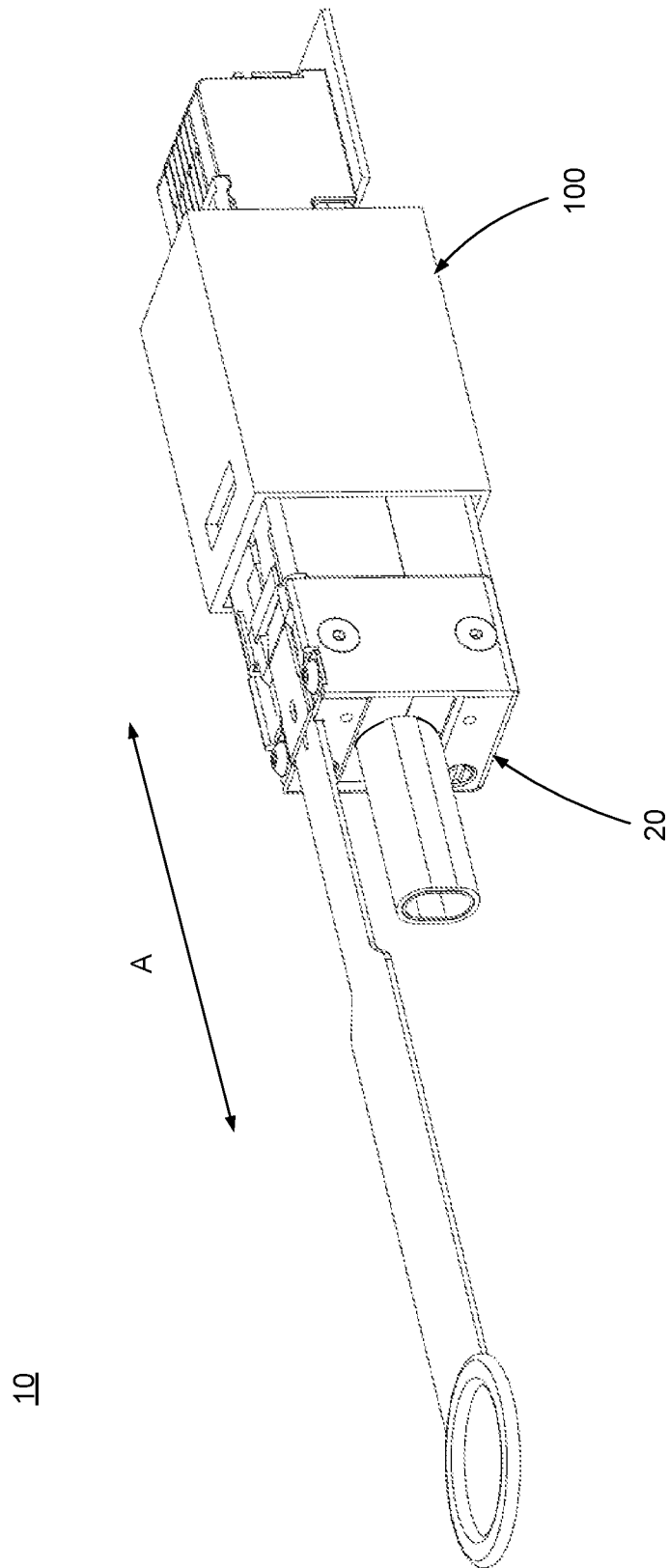
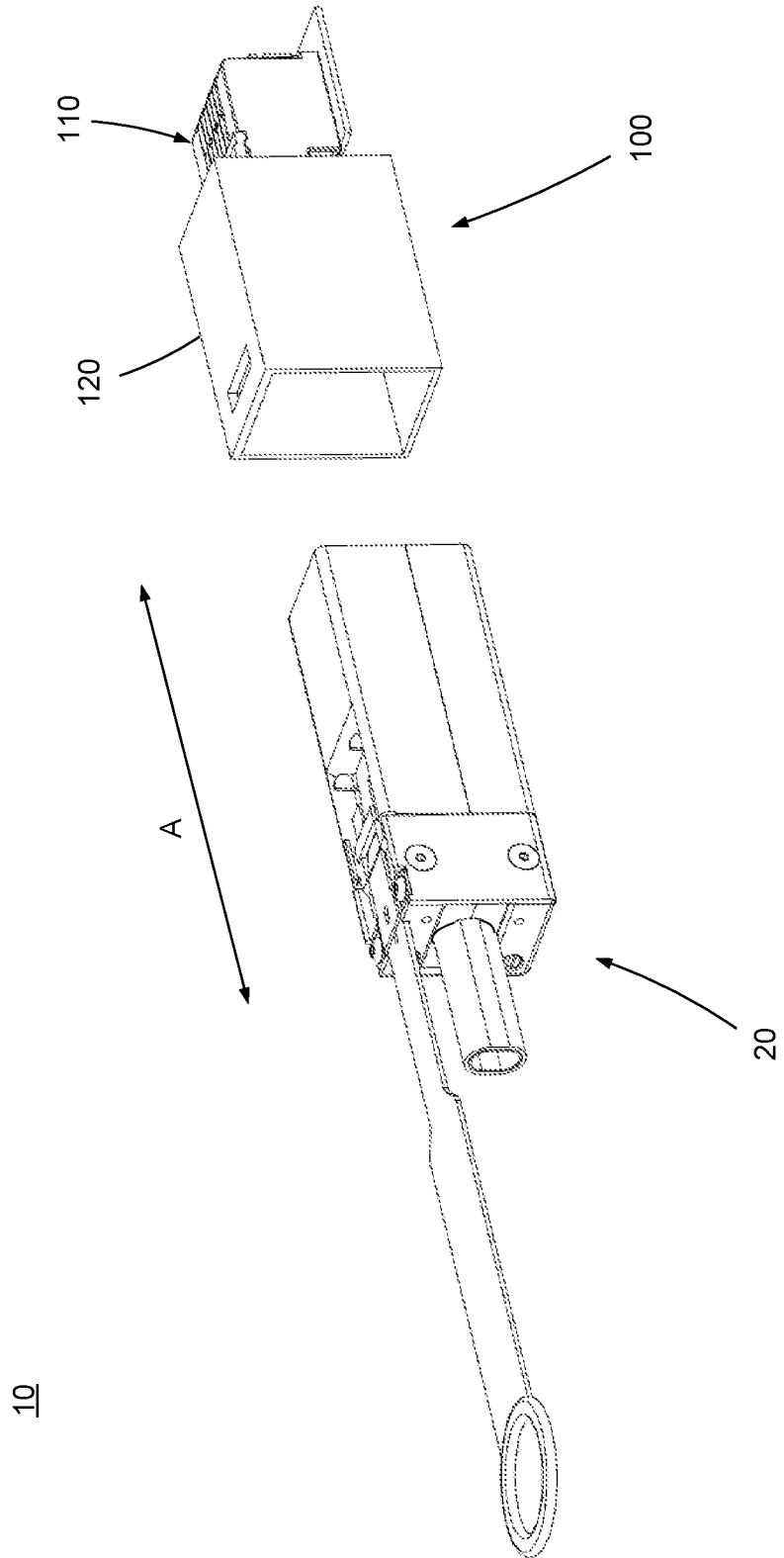
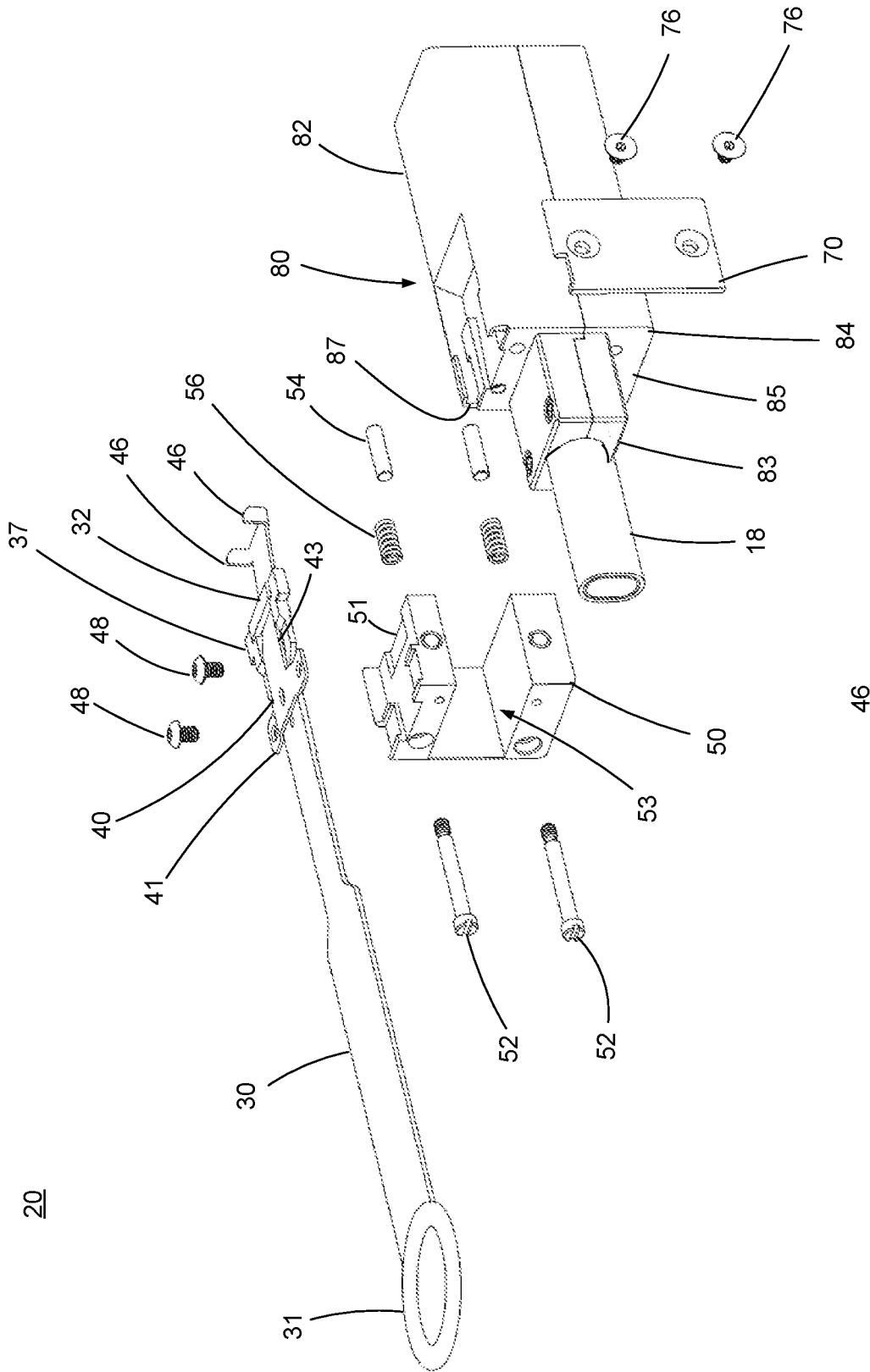


FIG 1





46  
**FIG 3**

10

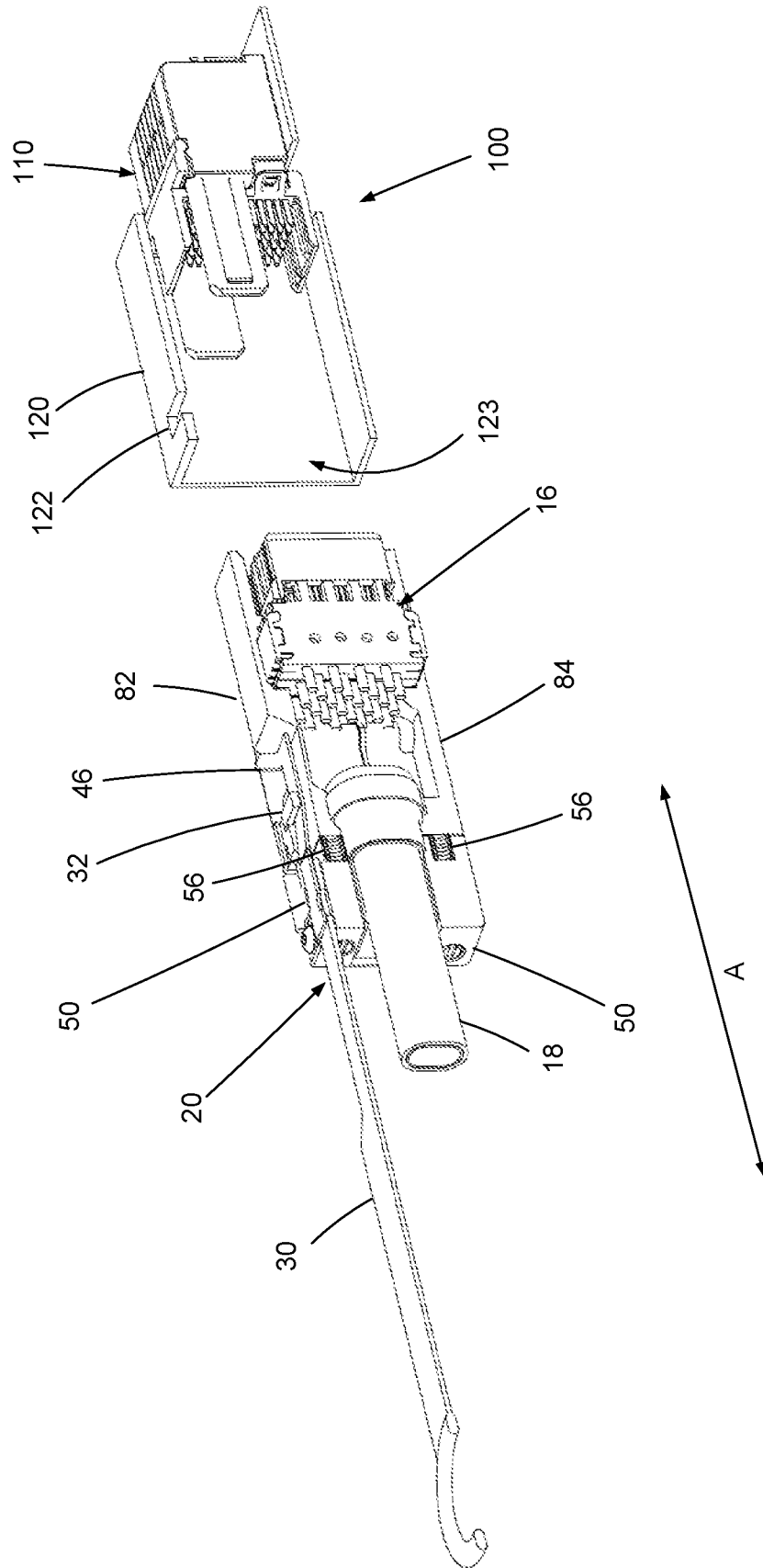


FIG 4

10

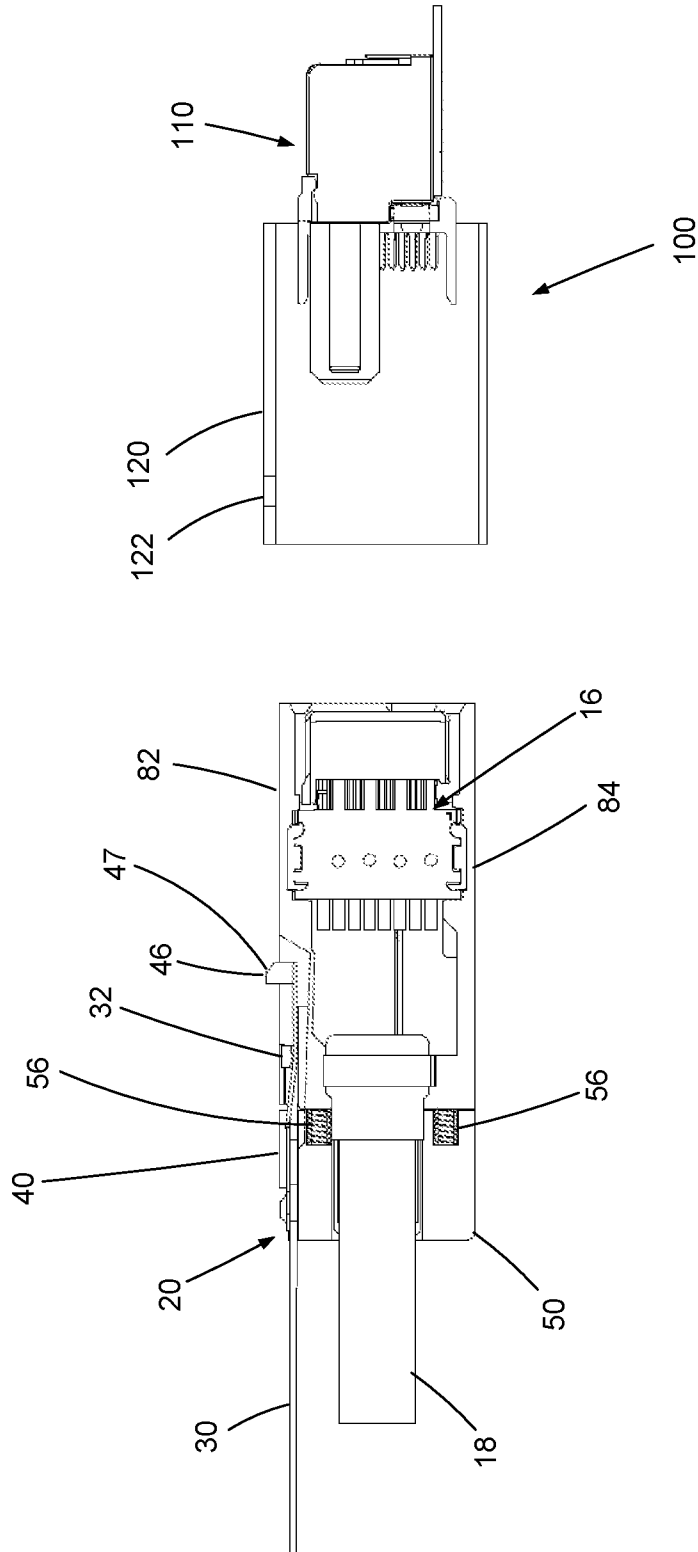


FIG 5

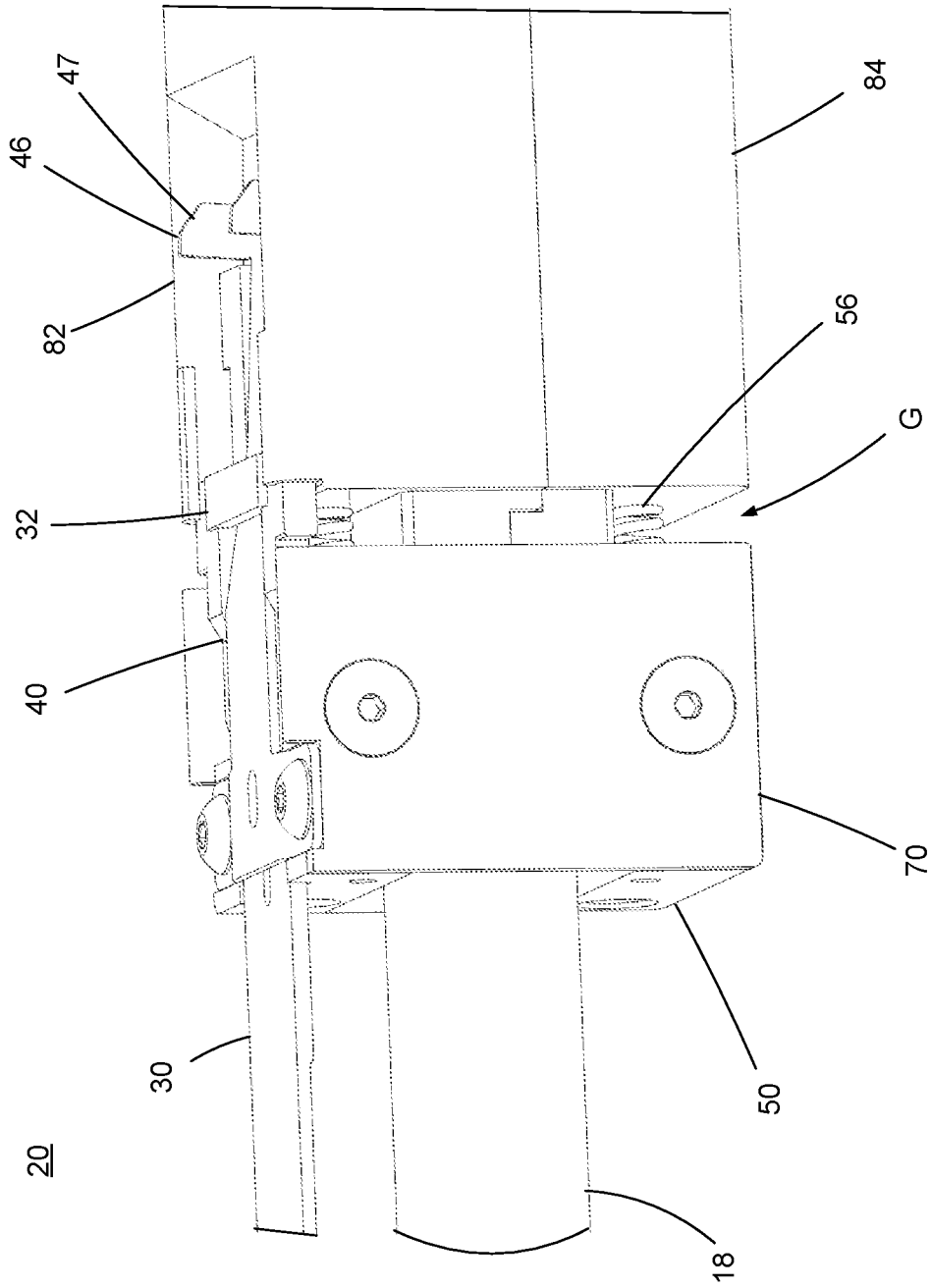


FIG 6

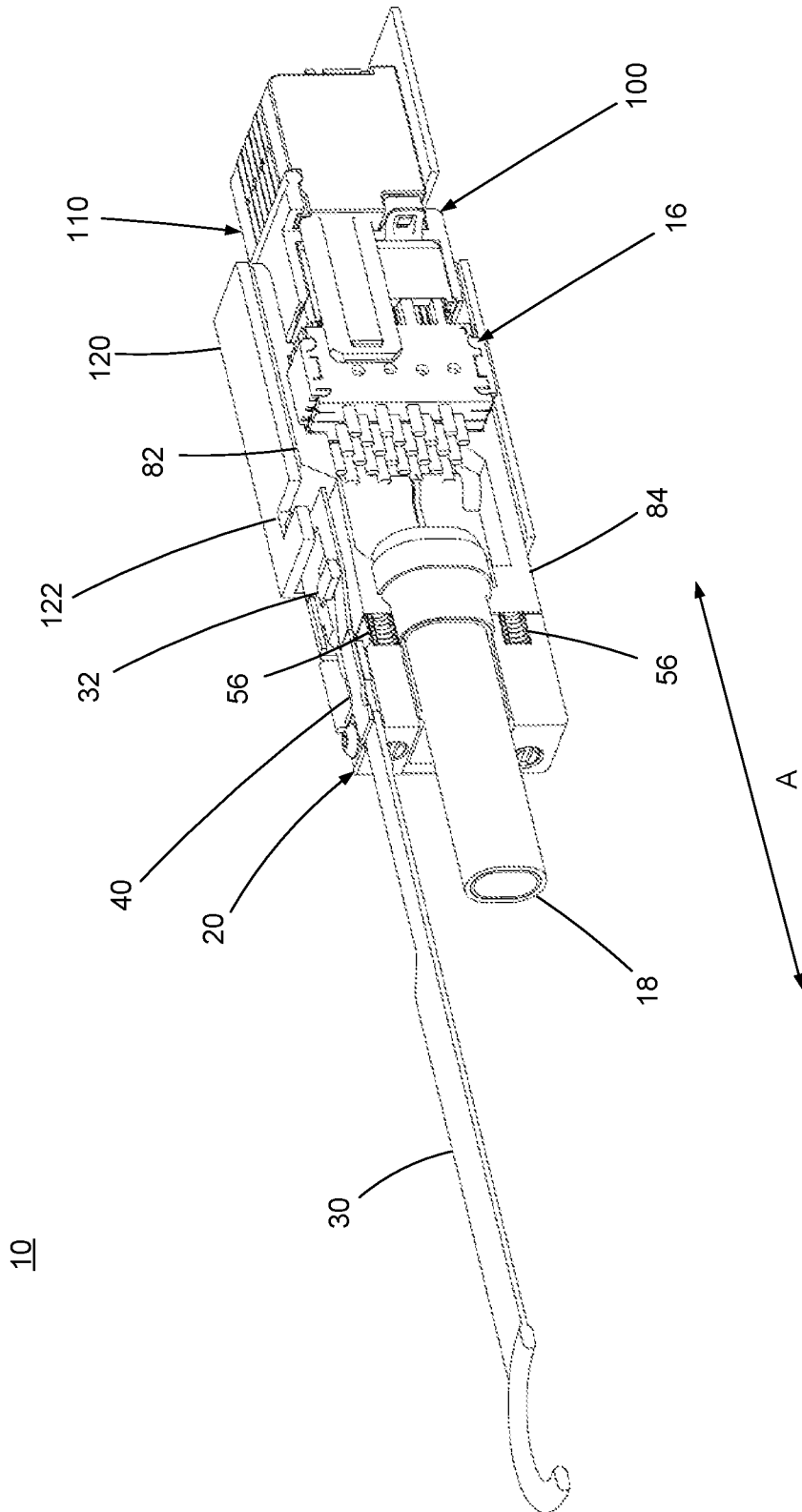


FIG 7



## INTERNATIONAL SEARCH REPORT

International application No.  
PCT/US2016/017350**A. CLASSIFICATION OF SUBJECT MATTER**  
**H01R 13/514(2006.01)i, H01R 12/71(2011.01)i**

According to International Patent Classification (IPC) or to both national classification and IPC

**B. FIELDS SEARCHED**Minimum documentation searched (classification system followed by classification symbols)  
H01R 13/514; H01R 9/03; H01R 13/62; H01R 13/627; G06F 1/16; H01R 12/71Documentation searched other than minimum documentation to the extent that such documents are included in the fields searched  
Korean utility models and applications for utility models  
Japanese utility models and applications for utility modelsElectronic data base consulted during the international search (name of data base and, where practicable, search terms used)  
eKOMPASS(KIPO internal) & Keywords: housing, wafer, pull, bracket, connect, latch, cable, spring**C. DOCUMENTS CONSIDERED TO BE RELEVANT**

Category*	Citation of document, with indication, where appropriate, of the relevant passages	Relevant to claim No.
X	US 2012-0214327 A1 (BRUCE REED et al.) 23 August 2012 See abstract, paragraphs [0014], [0047]-[0068] and figures 1-2, 6-8, 16.	1-14
A	US 7349200 B2 (THOMAS T. HARDT et al.) 25 March 2008 See abstract, claim 1 and figure 2.	1-14
A	US 7134914 B1 (JERRY WU) 14 November 2006 See abstract, claims 1-5 and figures 1-9.	1-14
A	US 7666023 B2 (JERRY WU) 23 February 2010 See abstract, claims 1-10 and figures 2-3.	1-14
A	US 7651361 B2 (RANDALL R. HENRY et al.) 26 January 2010 See abstract, claims 1-2 and figure 3.	1-14

 Further documents are listed in the continuation of Box C. See patent family annex.

\* Special categories of cited documents:

"A" document defining the general state of the art which is not considered to be of particular relevance

"E" earlier application or patent but published on or after the international filing date

"L" document which may throw doubts on priority claim(s) or which is cited to establish the publication date of another citation or other special reason (as specified)

"O" document referring to an oral disclosure, use, exhibition or other means

"P" document published prior to the international filing date but later than the priority date claimed

"T" later document published after the international filing date or priority date and not in conflict with the application but cited to understand the principle or theory underlying the invention

"X" document of particular relevance; the claimed invention cannot be considered novel or cannot be considered to involve an inventive step when the document is taken alone

"Y" document of particular relevance; the claimed invention cannot be considered to involve an inventive step when the document is combined with one or more other such documents, such combination being obvious to a person skilled in the art

"&amp;" document member of the same patent family

Date of the actual completion of the international search

27 May 2016 (27.05.2016)

Date of mailing of the international search report

27 May 2016 (27.05.2016)

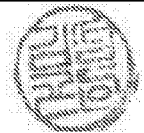
Name and mailing address of the ISA/KR  
International Application Division  
Korean Intellectual Property Office  
189 Cheongsa-ro, Seo-gu, Daejeon, 35208, Republic of Korea

Facsimile No. +82-42-481-8578

Authorized officer

KIM, Sung Gon

Telephone No. +82-42-481-8746



**INTERNATIONAL SEARCH REPORT**

Information on patent family members

International application No.

**PCT/US2016/017350**

Patent document cited in search report	Publication date	Patent family member(s)	Publication date
US 2012-0214327 A1	23/08/2012	CN 102177616 A	07/09/2011
		CN 102197540 A	21/09/2011
		CN 102204017 A	28/09/2011
		CN 102204018 A	28/09/2011
		CN 102204026 A	28/09/2011
		CN 102210062 A	05/10/2011
		CN 102210064 A	05/10/2011
		CN 102210065 A	05/10/2011
		CN 103001065 A	27/03/2013
		CN 104037532 A	10/09/2014
		JP 2012-502435 A	26/01/2012
		JP 2012-502436 A	26/01/2012
		JP 2012-502437 A	26/01/2012
		JP 2012-502438 A	26/01/2012
		JP 5044721 B2	10/10/2012
		JP 5290421 B2	18/09/2013
		JP 5530538 B2	25/06/2014
		JP 5548199 B2	16/07/2014
		US 2011-212633 A1	01/09/2011
		US 2011-212643 A1	01/09/2011
		US 2011-223805 A1	15/09/2011
		US 2011-223809 A1	15/09/2011
		US 2011-223810 A1	15/09/2011
		US 2011-230104 A1	22/09/2011
		US 2011-256776 A1	20/10/2011
		US 2011-269338 A1	03/11/2011
		US 2011-294347 A1	01/12/2011
		US 2012-264325 A1	18/10/2012
		US 2013-005173 A1	03/01/2013
		US 2013-072062 A1	21/03/2013
		US 2013-157512 A1	20/06/2013
		US 2013-189876 A1	25/07/2013
		US 2014-170887 A1	19/06/2014
		US 2014-335736 A1	13/11/2014
		US 8162675 B2	24/04/2012
		US 8187019 B2	29/05/2012
		US 8226441 B2	24/07/2012
		US 8241045 B2	14/08/2012
		US 8342881 B2	01/01/2013
		US 8414324 B2	09/04/2013
		US 8439704 B2	14/05/2013
		US 8449312 B2	28/05/2013
		US 8465302 B2	18/06/2013
US 8573997 B2	05/11/2013		
US 8597055 B2	03/12/2013		
US 8678839 B2	25/03/2014		
US 8740646 B2	03/06/2014		
US 8753145 B2	17/06/2014		
US 8821168 B2	02/09/2014		

**INTERNATIONAL SEARCH REPORT**

Information on patent family members

International application No.

**PCT/US2016/017350**

Patent document cited in search report	Publication date	Patent family member(s)	Publication date
		WO 2010-030615 A2	18/03/2010
		WO 2010-030616 A1	18/03/2010
		WO 2010-030618 A2	18/03/2010
		WO 2010-030619 A2	18/03/2010
		WO 2010-030620 A2	18/03/2010
		WO 2010-030622 A1	18/03/2010
		WO 2010-030631 A1	18/03/2010
		WO 2010-030635 A1	18/03/2010
		WO 2010-030638 A1	18/03/2010
US 7349200 B2	25/03/2008	US 2006-0176658 A1	10/08/2006
		US 2008-0117584 A1	22/05/2008
		US 7466544 B2	16/12/2008
US 7134914 B1	14/11/2006	US 2007-0037450 A1	15/02/2007
		US 7226316 B2	05/06/2007
US 7666023 B2	23/02/2010	CN 101588000 A	25/11/2009
		CN 101588000 B	31/10/2012
		US 2009-0291584 A1	26/11/2009
US 7651361 B2	26/01/2010	CN 101572363 A	04/11/2009
		EP 2113968 A2	04/11/2009
		EP 2113968 B1	30/04/2014
		US 2009-0275228 A1	05/11/2009