



US00D769167S

(12) **United States Design Patent**
Muntada Roura

(10) **Patent No.:** **US D769,167 S**

(45) **Date of Patent:** **** Oct. 18, 2016**

(54) **VEHICLE WHEEL RIM**

(71) Applicant: **AUDI AG**, Ingolstadt (DE)

(72) Inventor: **Cesar Muntada Roura**, Pfaffenhofen
an der Ilm (DE)

(73) Assignee: **AUDI AG**, Ingolstadt (DE)

(**) Term: **14 Years**

(21) Appl. No.: **29/499,929**

(22) Filed: **Aug. 20, 2014**

(30) **Foreign Application Priority Data**

Feb. 20, 2014 (EM) 002 408 328-0003

(51) **LOC (10) Cl.** **12-15**

(52) **U.S. Cl.**
USPC **D12/211**

(58) **Field of Classification Search**
USPC D12/204–213
CPC B60B 7/00; B60B 7/02; B60B 7/04;
B60B 7/01; B60B 7/06; B60B 3/02; B60B
3/04; B60B 3/06; B60B 3/10; B60B 1/00;
B60B 1/08; B60B 1/10; B60B 1/12
See application file for complete search history.

(56) **References Cited**

U.S. PATENT DOCUMENTS

D311,717 S * 10/1990 Yoshida D12/211
D350,932 S * 9/1994 Echazabel D12/211
D394,838 S * 6/1998 Suprihanto D12/211

D405,409 S * 2/1999 Baumgartner D12/211
D438,162 S * 2/2001 Syring D12/211
D438,833 S * 3/2001 Takechi D12/211
D451,067 S * 11/2001 Frizzi D12/211
D454,327 S * 3/2002 Bux D12/211
D527,332 S * 8/2006 Khan D12/211
D571,704 S * 6/2008 Kahn D12/211
D590,318 S * 4/2009 Theiss D12/211
D636,320 S * 4/2011 Lamm D12/211
D660,769 S * 5/2012 Pollmann D12/211
D671,481 S * 11/2012 Amezketa D12/211
D708,109 S * 7/2014 Hodges D12/205
D718,696 S * 12/2014 Gotschke D12/209
D723,990 S * 3/2015 Muntada Roura D12/209
D723,993 S * 3/2015 Zhao D12/209
D725,018 S * 3/2015 Zhao D12/209
D727,828 S * 4/2015 Amezketa D12/211

FOREIGN PATENT DOCUMENTS

IN 223196 6/2009

* cited by examiner

Primary Examiner — Stacia Cadmus

(74) *Attorney, Agent, or Firm* — Lucas & Mercanti, LLP;
Klaus P. Stoffel

(57) **CLAIM**

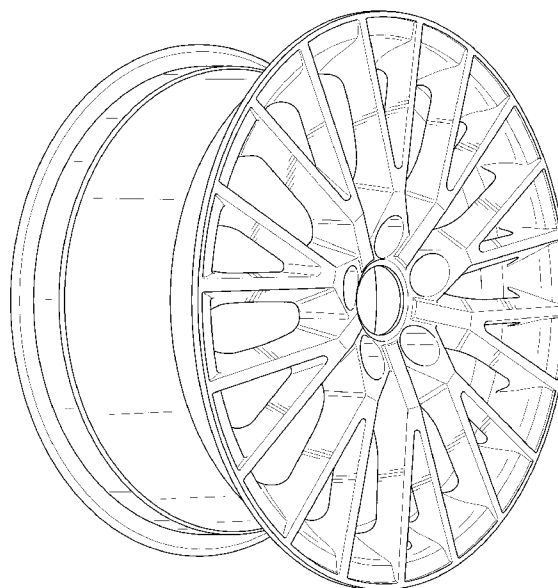
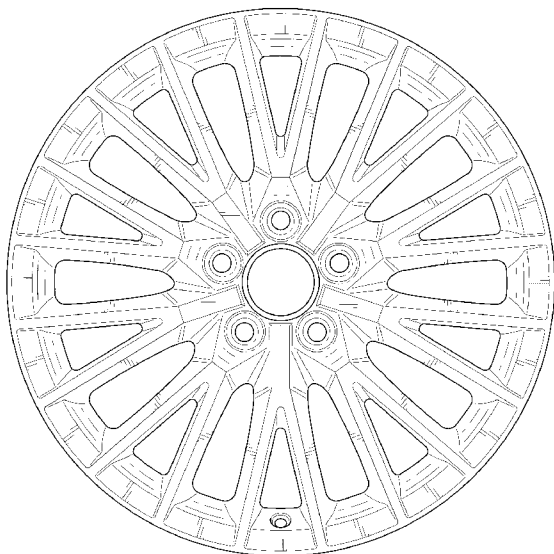
The ornamental design for a vehicle wheel rim, as shown
and described.

DESCRIPTION

FIG. 1 is a front view of the vehicle wheel rim of the present
invention; and,

FIG. 2 is a front, side perspective view thereof.

1 Claim, 2 Drawing Sheets



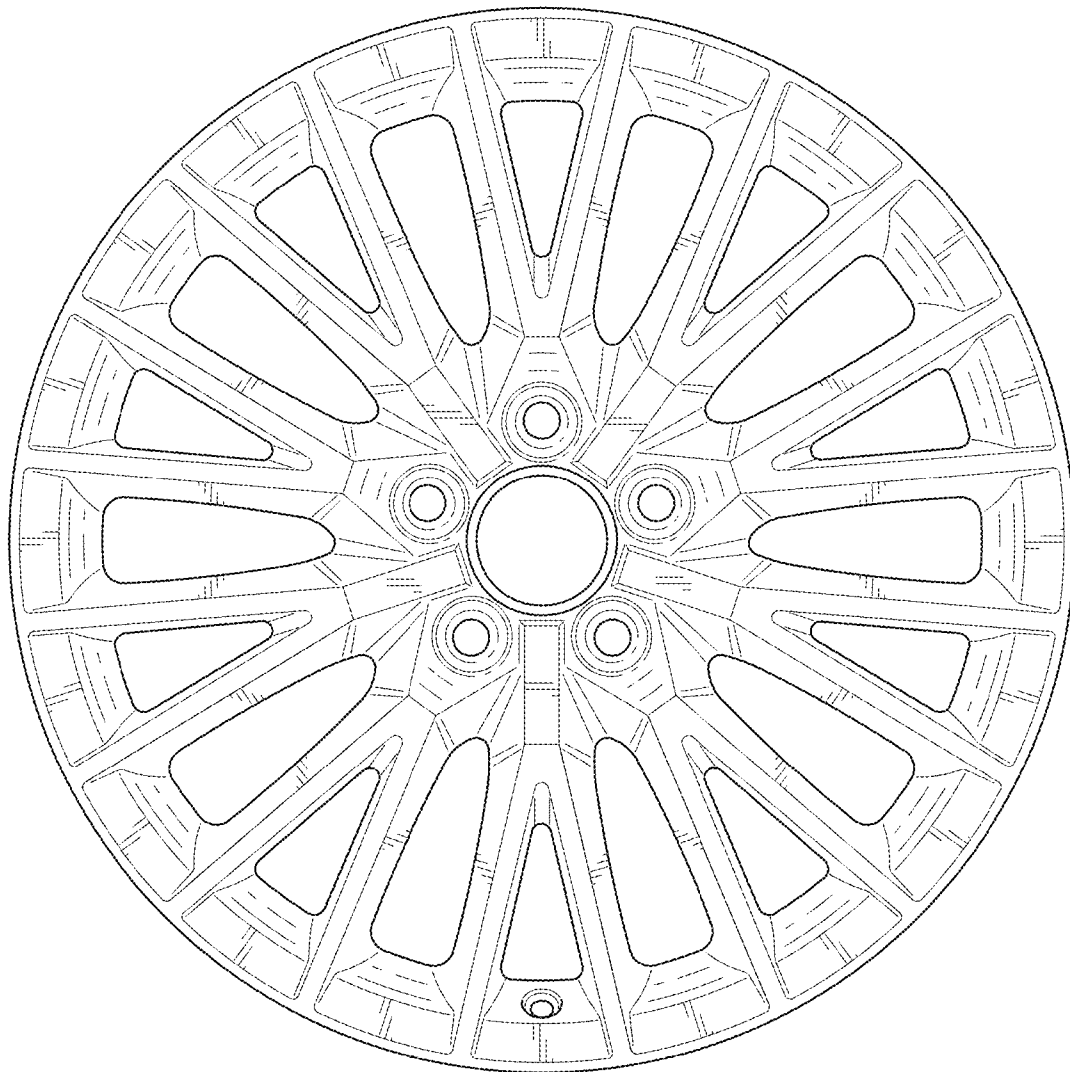


FIG. 1

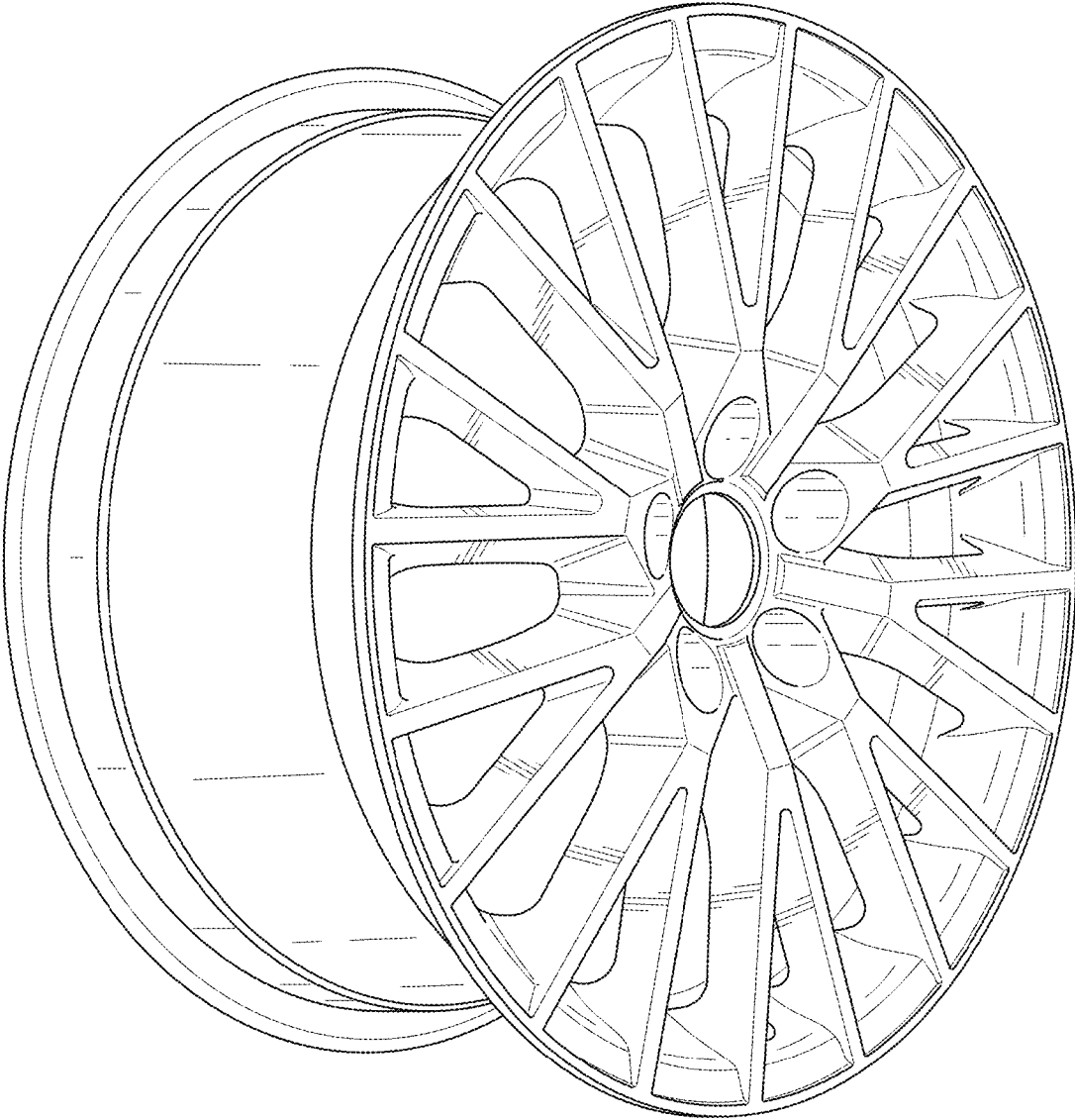


FIG. 2