



US00D478866S

(12) **United States Design Patent** (10) **Patent No.:** **US D478,866 S**
Nakai (45) **Date of Patent:** **** Aug. 26, 2003**

(54) **STORAGE BATTERY**
(75) Inventor: **Hitoshi Nakai, Kyoto (JP)**
(73) Assignee: **Nintendo Co., Ltd. (JP)**
(**) Term: **14 Years**

D456,008 S 4/2002 Kawanobe et al.
D457,133 S 5/2002 Yoneyama
D458,972 S 6/2002 Ashida
D462,723 S 9/2002 Ashida
D464,626 S 10/2002 Ashida et al.
6,492,058 B1 * 12/2002 Watanabe et al. 429/121
2002/0142195 A1 * 10/2002 Ehara 429/176 X
2002/0150815 A1 * 10/2002 Ehara 429/100 X

(21) Appl. No.: **29/173,639**
(22) Filed: **Jan. 3, 2003**

* cited by examiner

(30) **Foreign Application Priority Data**
Jul. 4, 2002 (JP) 2002-018000

Primary Examiner—Joel Sincavage
(74) *Attorney, Agent, or Firm*—Nixon & Vanderhye P.C.

(51) **LOC (7) Cl.** **13-02**
(52) **U.S. Cl.** **D13/103**
(58) **Field of Search** D13/103; 429/96–100,
429/159, 163, 176

(57) **CLAIM**

The ornamental design for a “storage battery,” as shown and described.

(56) **References Cited**

U.S. PATENT DOCUMENTS

D361,978 S 9/1995 Shirai et al.
5,534,366 A * 7/1996 Hwang et al. 429/99 X
5,625,271 A * 4/1997 Shapiro et al. 429/97 X
D386,742 S * 11/1997 Amero, Jr. et al. D13/103
5,733,677 A * 3/1998 Golovin et al. D13/103 X
D394,841 S * 6/1998 Hashimoto et al. D13/103
D419,131 S * 1/2000 Andrews et al. D13/103
D423,449 S * 4/2000 Naskali D13/103
D444,448 S * 7/2001 Robinson et al. D13/103

DESCRIPTION

FIG. 1 is a front elevational view of a storage battery;
FIG. 2 is a top plan view thereof;
FIG. 3 is a rear elevational view thereof;
FIG. 4 is a bottom plan view thereof;
FIG. 5 is a right side view thereof, the left side being identical thereto;
FIG. 6 is a section 6—6 view of FIG. 1 with an illustration of an internal structure omitted; and,
FIG. 7 is a section 7—7 view of FIG. 1 with an illustration of an internal structure omitted.

1 Claim, 3 Drawing Sheets

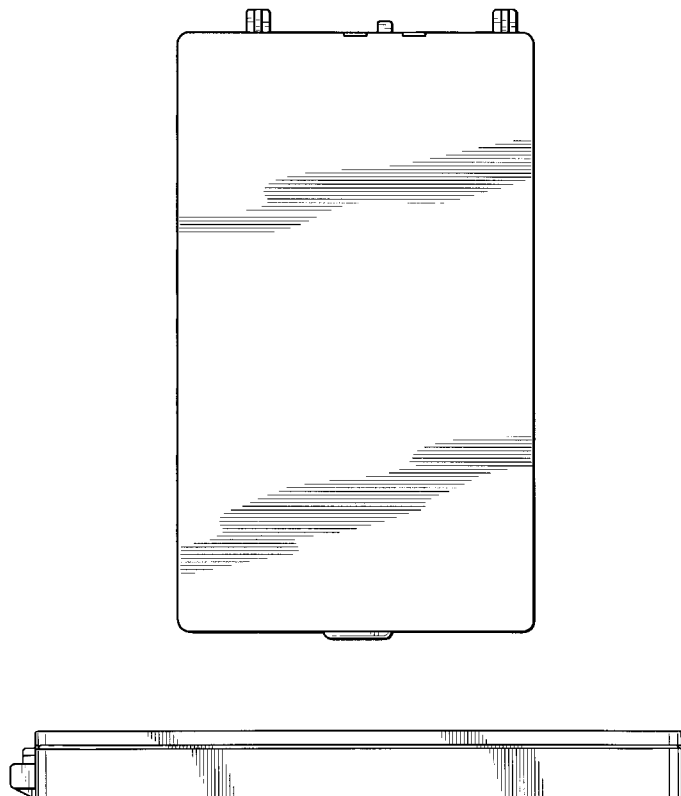


Fig. 1

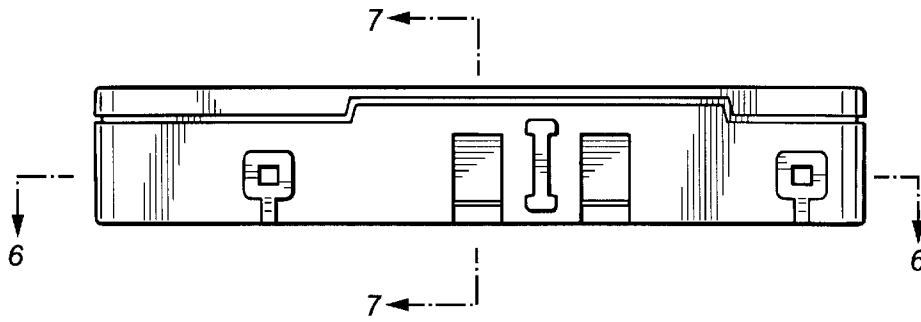


Fig. 2

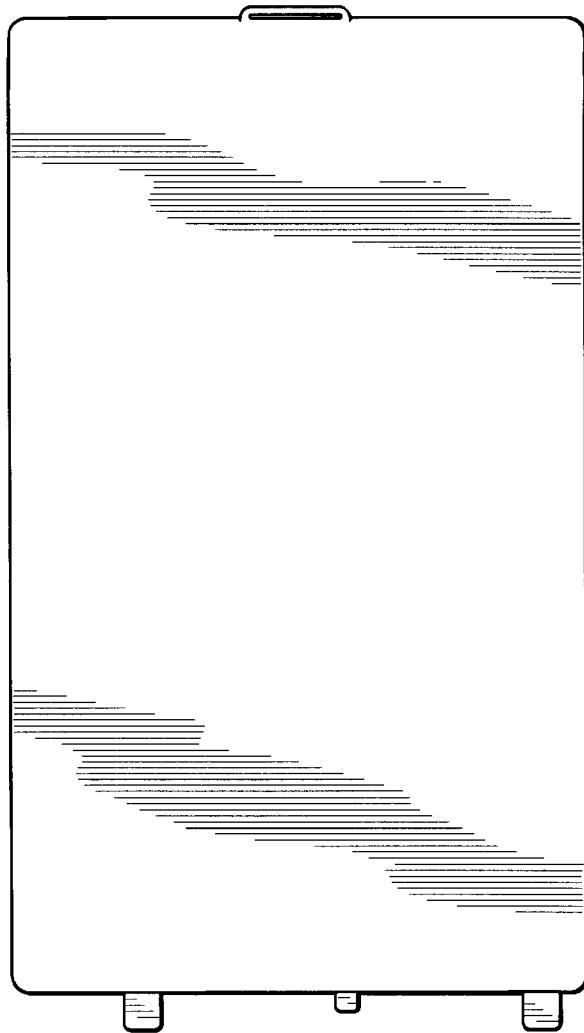


Fig. 3



Fig. 4

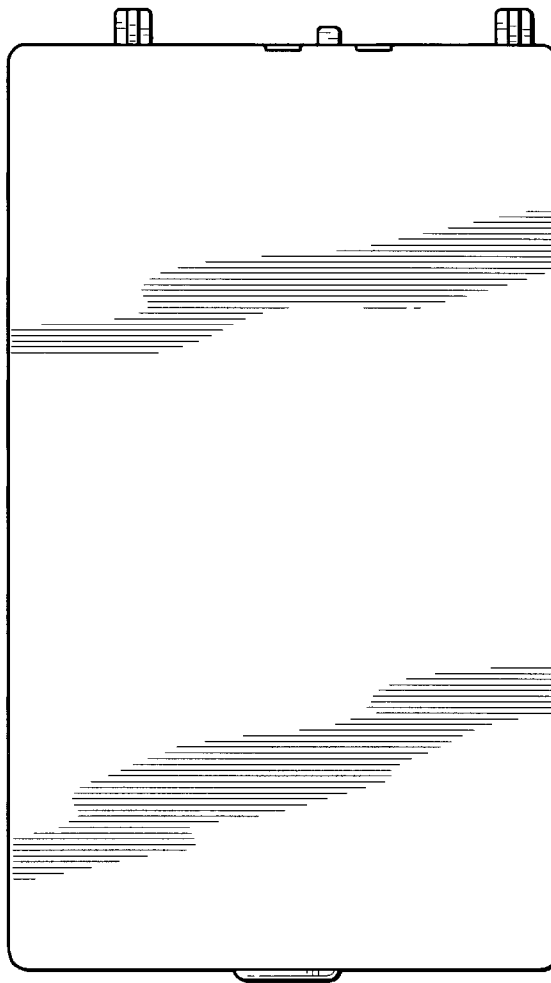


Fig. 5

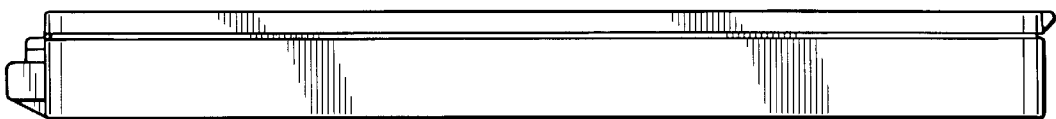


Fig. 6

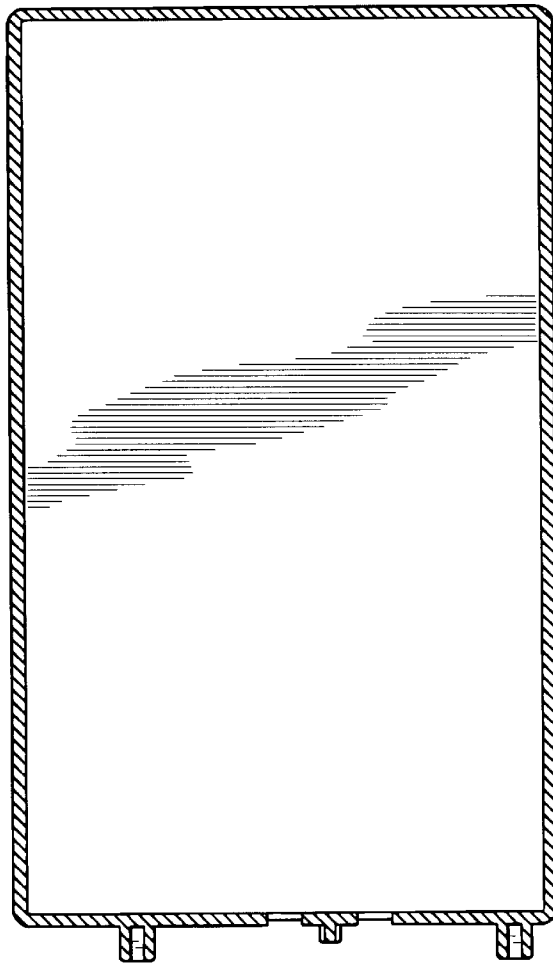


Fig. 7

