



US00D482001S

(12) **United States Design Patent** (10) **Patent No.:** **US D482,001 S**  
**Hisamatsu et al.** (45) **Date of Patent:** **\*\* Nov. 11, 2003**

(54) **ELECTRICAL CONNECTOR**  
(75) Inventors: **Kazuhiro Hisamatsu, Hino (JP); Masayuki Kikuchi, Oume (JP); Akira Kimura, Kokubunji (JP)**  
(73) Assignee: **Japan Aviation Electronics Industry, Limited, Tokyo (JP)**  
(\*\*) Term: **14 Years**  
(21) Appl. No.: **29/170,653**  
(22) Filed: **Nov. 8, 2002**

(30) **Foreign Application Priority Data**  
May 11, 2002 (JP) ..... 2002-016013  
(51) **LOC (7) Cl.** ..... **13-03**  
(52) **U.S. Cl.** ..... **D13/147**  
(58) **Field of Search** ..... D13/147; 439/62, 439/260, 329, 395, 495, 422, 499

(56) **References Cited**  
**U.S. PATENT DOCUMENTS**  
5,906,504 A \* 5/1999 Igarashi et al. .... 439/495  
6,099,346 A \* 8/2000 Hashiguchi et al. .... 439/495  
6,146,171 A \* 11/2000 Kunishi et al. .... 439/260  
6,267,623 B1 \* 7/2001 Hisamatsu ..... 439/607  
6,293,818 B1 \* 9/2001 Kim et al. .... 439/495  
D457,138 S \* 5/2002 Igarashi ..... D13/147  
6,416,360 B1 \* 7/2002 Zhang et al. .... 439/607

D468,268 S \* 1/2003 Zhong ..... D13/147  
D470,110 S \* 2/2003 Yamane ..... D13/147  
\* cited by examiner  
*Primary Examiner*—Joel Sincavage  
(74) *Attorney, Agent, or Firm*—Michael Best & Friedrich LLC

(57) **CLAIM**  
The ornamental design for an electrical connector, as shown and described.

**DESCRIPTION**  
FIG. 1 is a top plan view of an electrical connector; FIG. 2 is a front elevational view thereof; FIG. 3 is a bottom plan view thereof; FIG. 4 is a rear elevational view thereof; FIG. 5 is a right side elevational view thereof; FIG. 6 is a perspective view of the front and right side thereof; and, FIG. 7 is another perspective view of the front and right side thereof.  
A left side elevational view of the electrical connector is omitted because it is presented symmetrical to the right side elevational view of FIG. 5.  
A printed circuit board used with the electrical connector is drawn by dashed lines in FIG. 7 and forms no part of the claimed design.

**1 Claim, 2 Drawing Sheets**

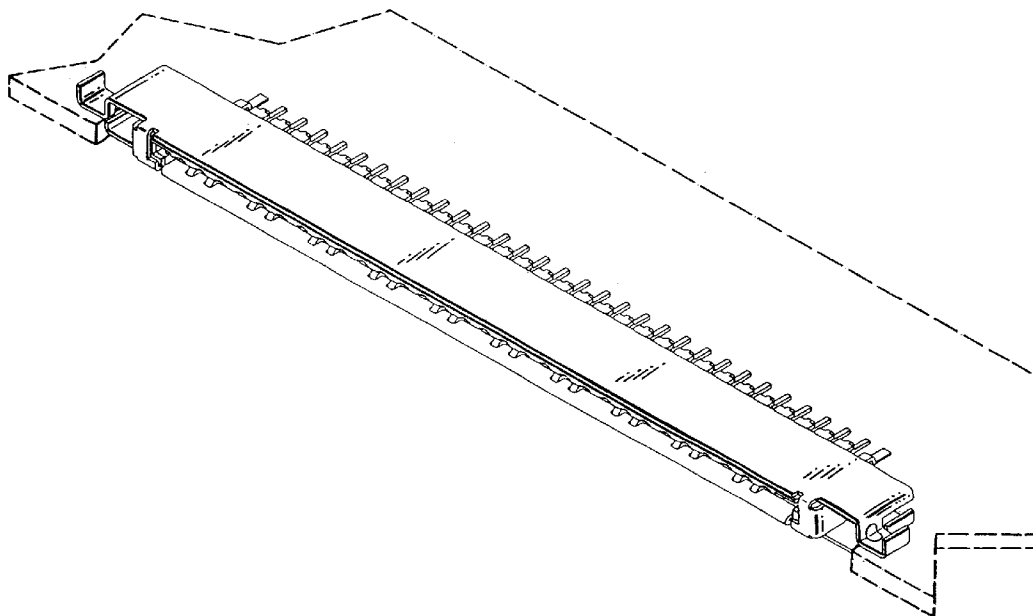


FIG. 1

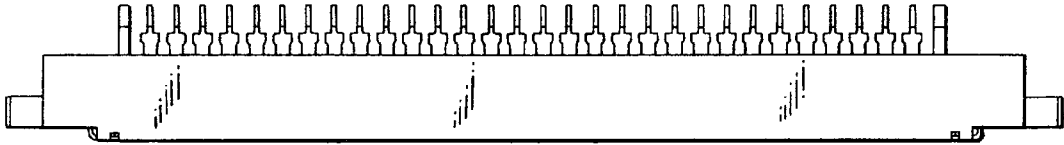


FIG. 2

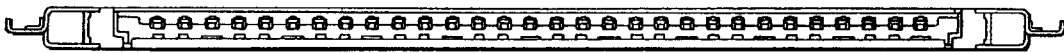


FIG. 3

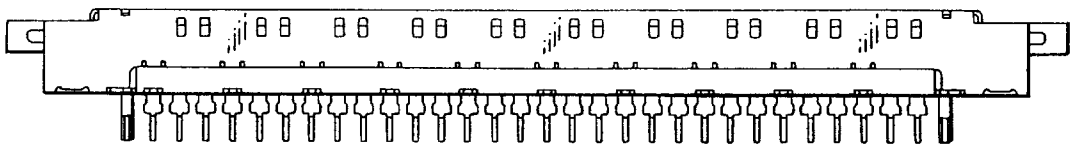


FIG. 4

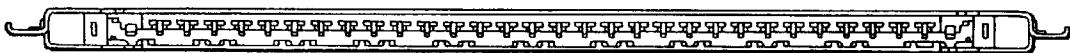


FIG. 5

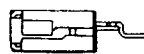


FIG. 6

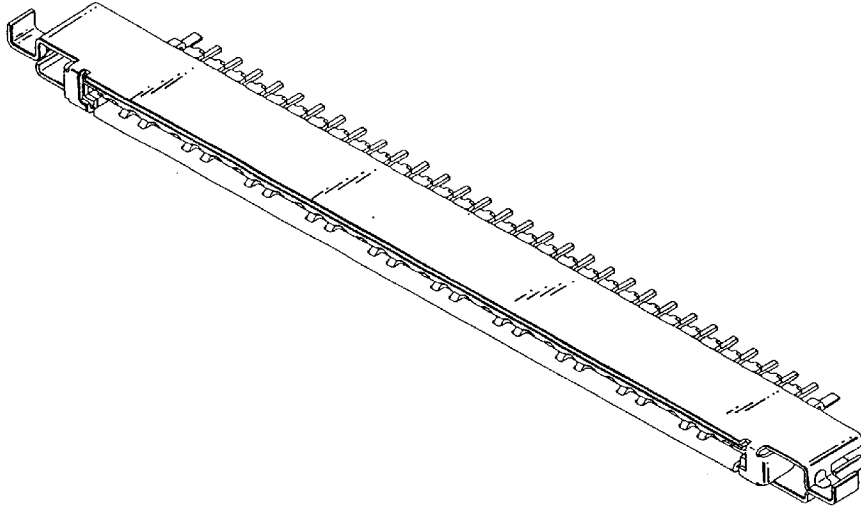


FIG. 7

