



US00D642829S

(12) **United States Design Patent**
Spindelbalker

(10) **Patent No.:** **US D642,829 S**

(45) **Date of Patent:** **** Aug. 9, 2011**

(54) **DISPLAY TRAY FOR EYEGLASSES,
SUNGLASSES, OR LIKE EYEWEAR**

(75) Inventor: **Rupert Spindelbalker**, Puchenau (AT)

(73) Assignee: **Silhouette International Schmied AG**,
Linz (AT)

(**) Term: **14 Years**

(21) Appl. No.: **29/358,127**

(22) Filed: **Mar. 23, 2010**

Related U.S. Application Data

(62) Division of application No. 29/356,532, filed on Feb.
26, 2010.

(51) **LOC (9) Cl.** **06-07**

(52) **U.S. Cl.** **D6/491**

(58) **Field of Classification Search** D6/491,
D6/396, 400, 449, 457, 466, 467; D11/87,
D11/206, 212; 248/451; 211/13.1, 85.1,
211/126.1, 183

See application file for complete search history.

(56) **References Cited**

U.S. PATENT DOCUMENTS

456,638 A *	7/1891	Reynolds	248/451
D242,136 S	11/1976	Matlock		
D343,595 S *	1/1994	Perrin et al.	D11/206
D416,768 S	11/1999	Lisser et al.		
D473,112 S	4/2003	De Groot		
D478,226 S	8/2003	Peyker		
D478,227 S	8/2003	Peyker		
D482,905 S	12/2003	Peyker		
D484,331 S	12/2003	Peyker		
D486,672 S	2/2004	Peyker		
D487,366 S	3/2004	Peyker		
D493,638 S	8/2004	Peyker		
D493,981 S	8/2004	Peyker		
D498,104 S	11/2004	Peyker		
D522,906 S *	6/2006	Siggins	D11/87
D535,836 S	1/2007	Peyker		

(Continued)

OTHER PUBLICATIONS

Notice of Allowance for U.S. Appl. No. 29/356,532 dated Feb. 16,
2011.

Primary Examiner — Phillip S Hyder

Assistant Examiner — Sydney Buffalow

(74) *Attorney, Agent, or Firm* — Alston & Bird LLP

(57) **CLAIM**

The ornamental design for a display tray for eyeglasses, sun-
glasses, or like eyewear, as shown and described.

DESCRIPTION

FIG. 1 is a perspective view of a display tray for eyeglasses,
sunglasses, or like eyewear showing my new design;

FIG. 2 is a top plan view thereof;

FIG. 3 is a bottom plan view thereof;

FIG. 4 is a front elevation view thereof;

FIG. 5 is a rear elevation view thereof; and

FIG. 6 is a left side elevation view thereof, the right side
elevation view being a mirror image thereof;

FIG. 7 is another perspective view thereof, shown with a pair
of eyeglasses and a pair of clip-on sunglasses;

FIG. 8 is an enlarged portion of the perspective view of FIG.
1;

FIG. 9 is an enlarged portion of the front elevation view of
FIG. 4;

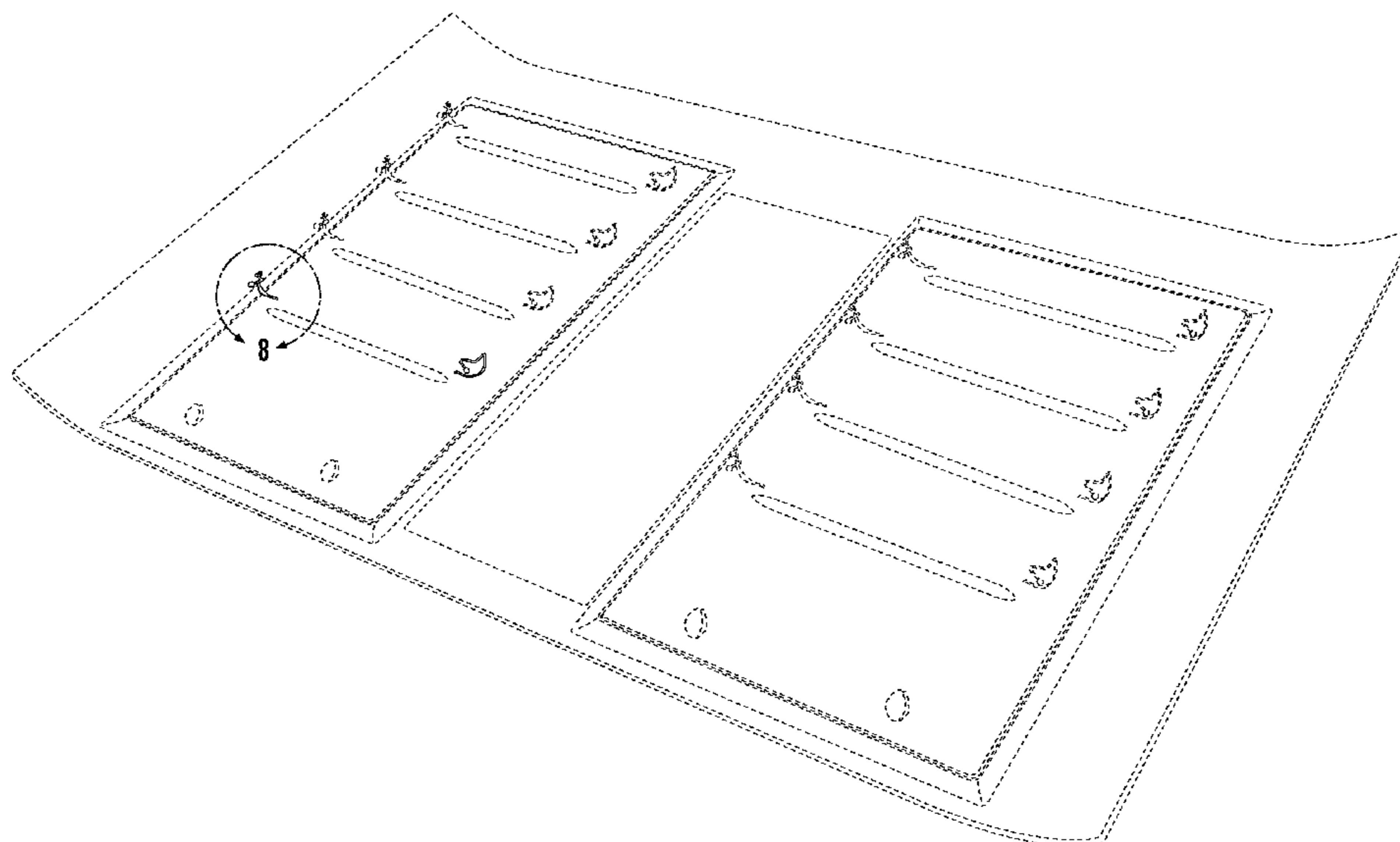
FIG. 10 is an enlarged portion of the top plan view of FIG. 2;
and,

FIG. 11 is a rear view of the enlarged portion of FIG. 8 taken
along line 11—11 in FIG. 2.

Only one of the two claimed hooks is shown in FIGS. 8
through 11. It is understood that the second hook is a mirror
image thereof.

The broken lines are directed to environment and are for
illustrative purposes only. The broken lines form no part of the
claimed design.

1 Claim, 8 Drawing Sheets



US D642,829 S

Page 2

U.S. PATENT DOCUMENTS							
D541,284 S	4/2007	Hibino et al.		7,607,713 B2	10/2009	MacNeil	
D569,567 S	5/2008	Kohn		7,686,370 B2	3/2010	MacNeil	
D580,819 S	* 11/2008	Samuels et al.	D11/212	D627,120 S	11/2010	Davidson	
D586,056 S	2/2009	Shea					* cited by examiner

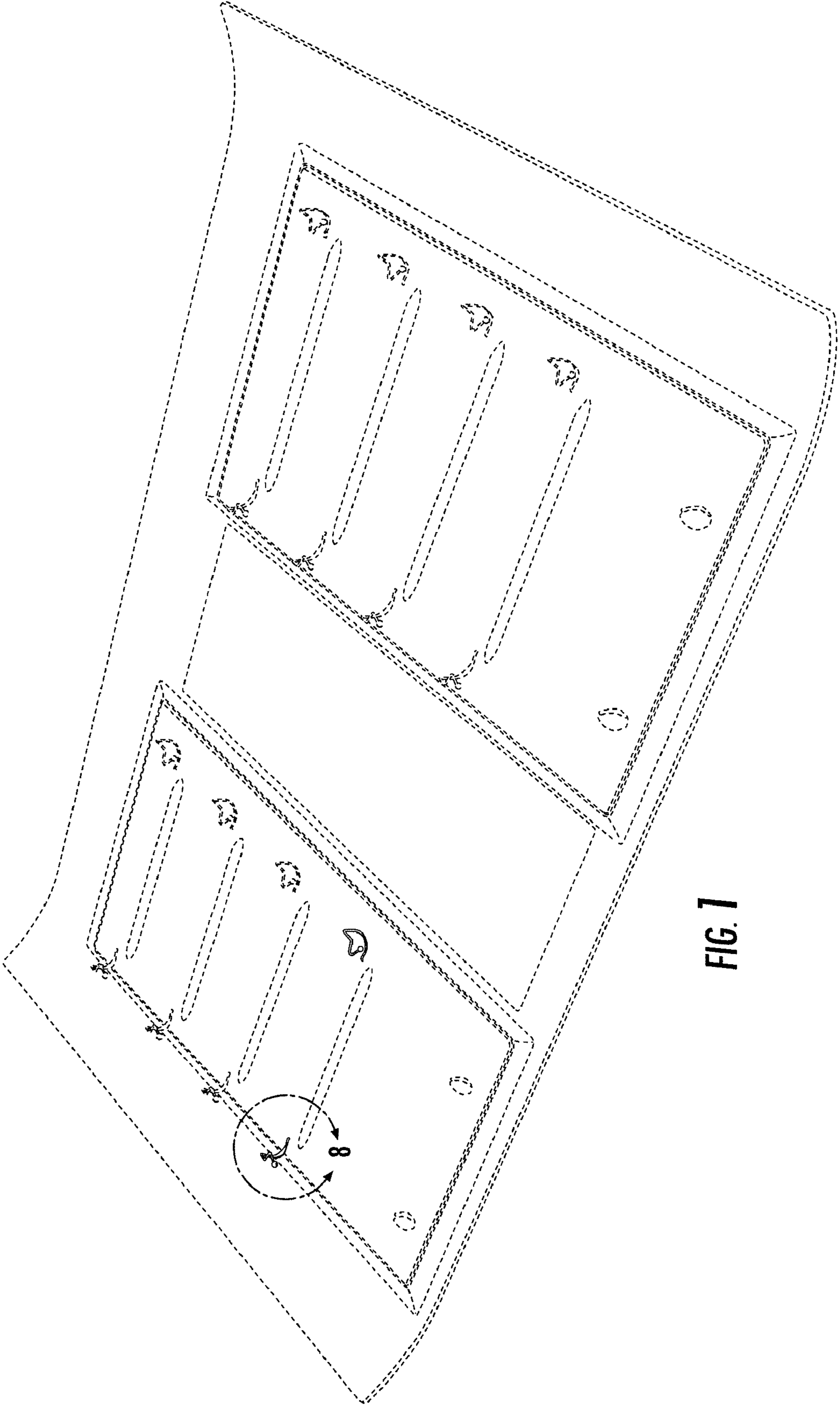


FIG. 7

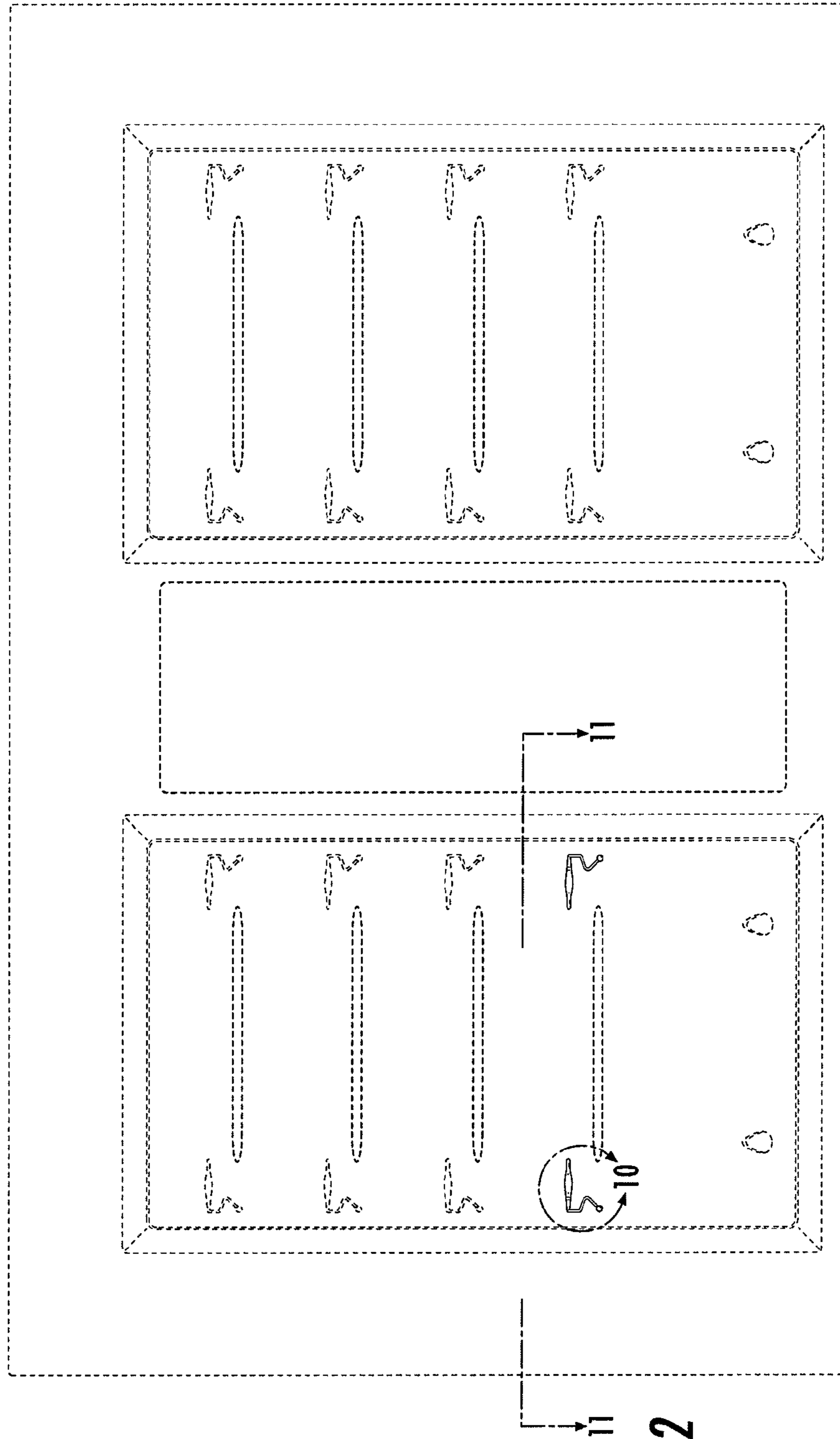


FIG. 2

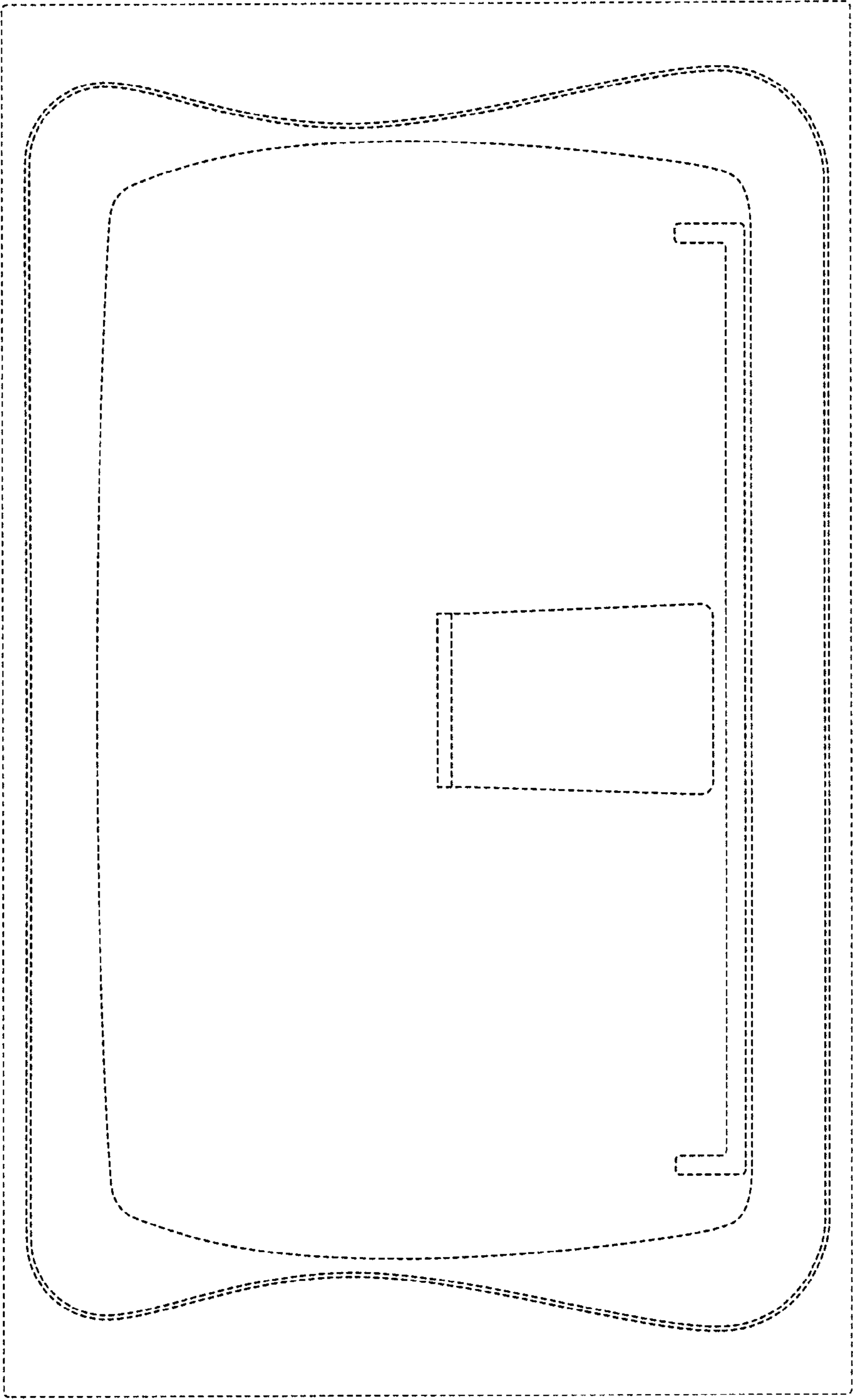


FIG. 3

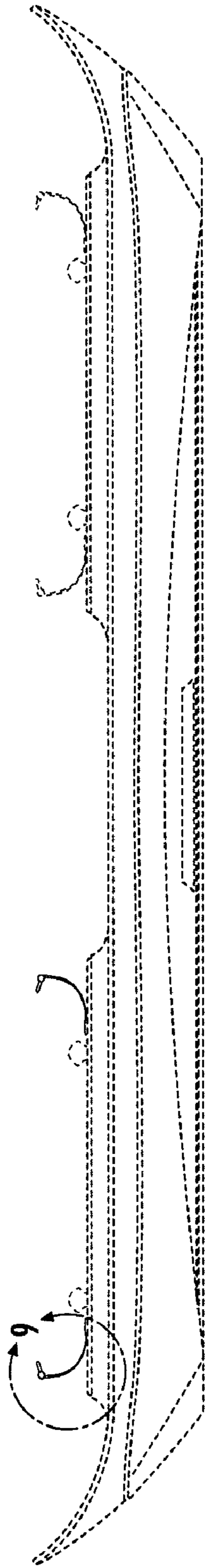


FIG. 4

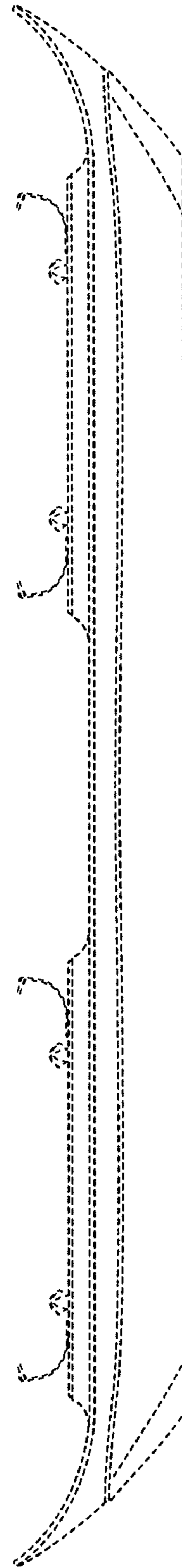


FIG. 5

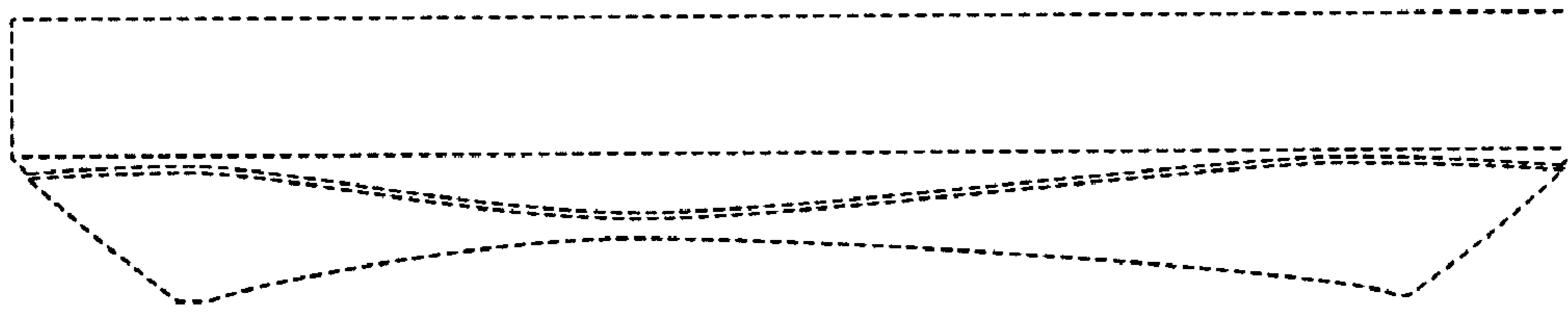


FIG. 6

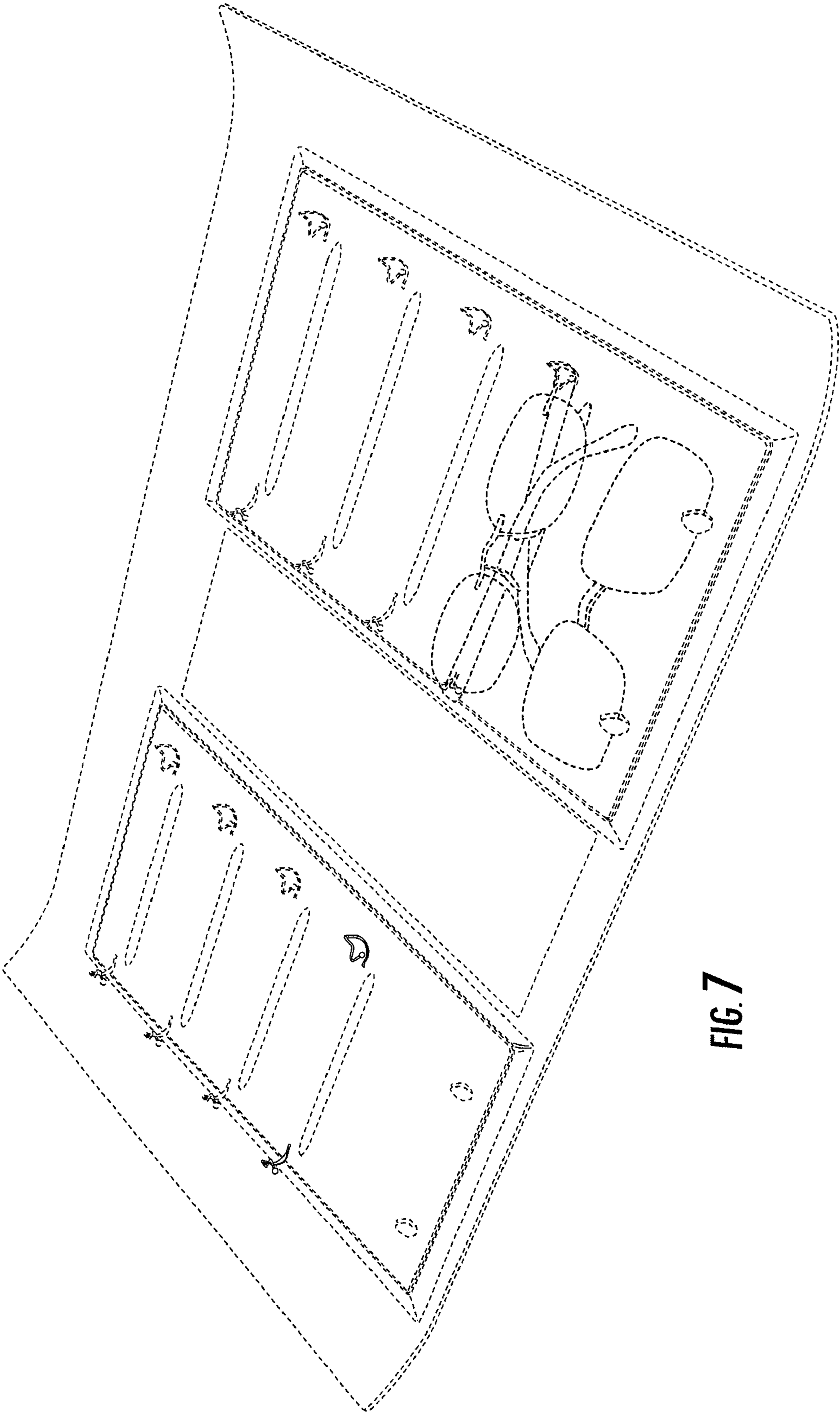


FIG. 7

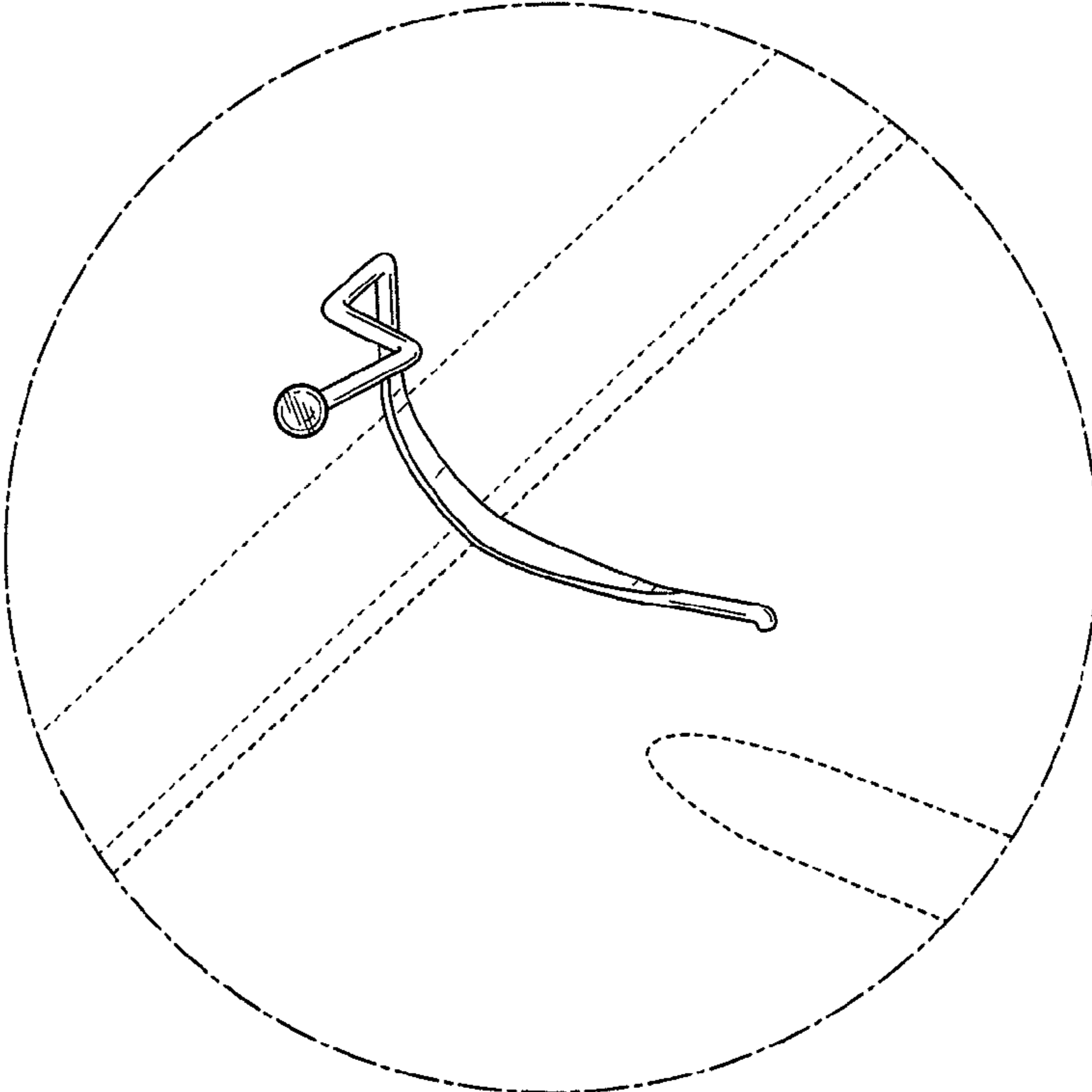


FIG. 8

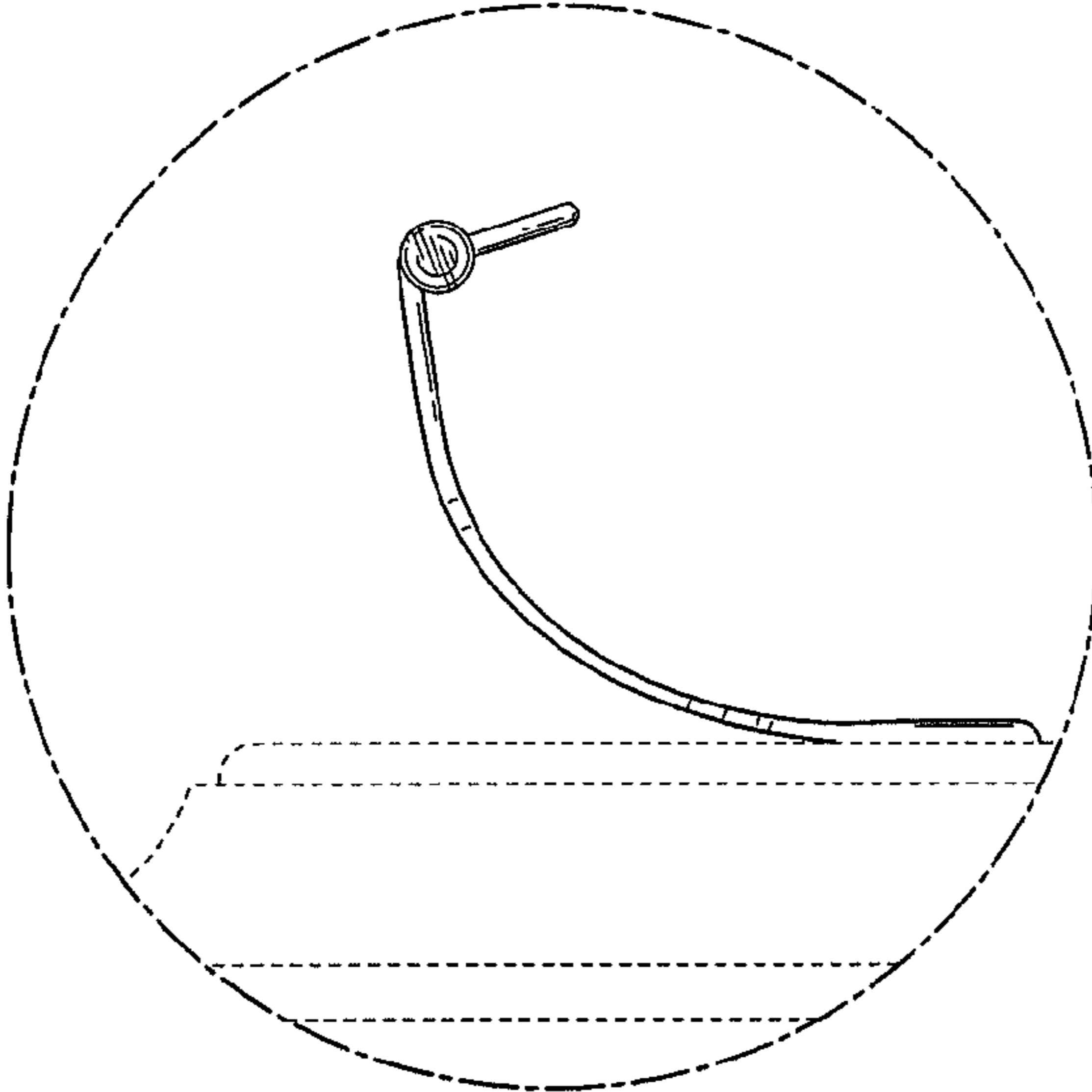


FIG. 9

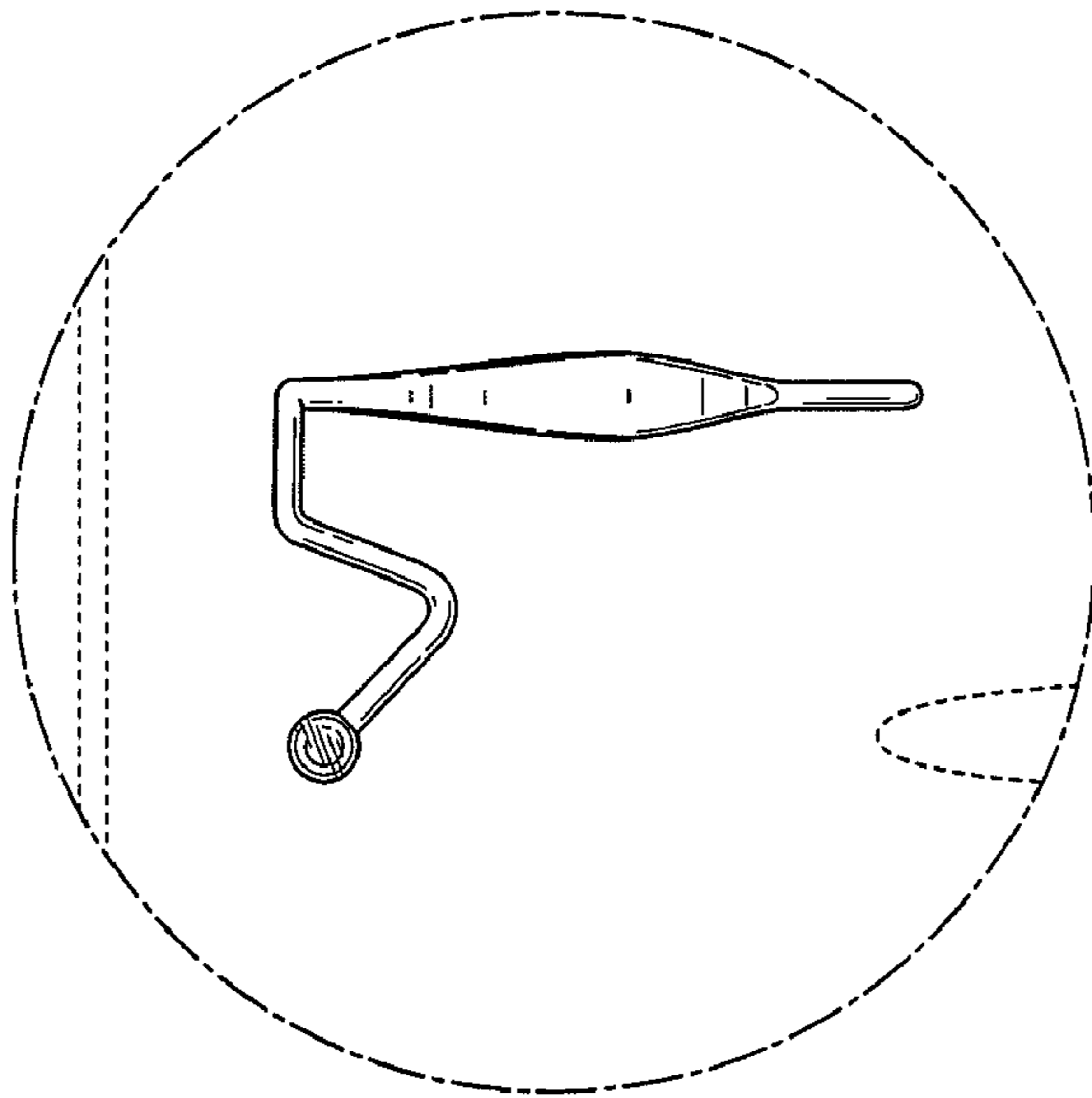


FIG. 10

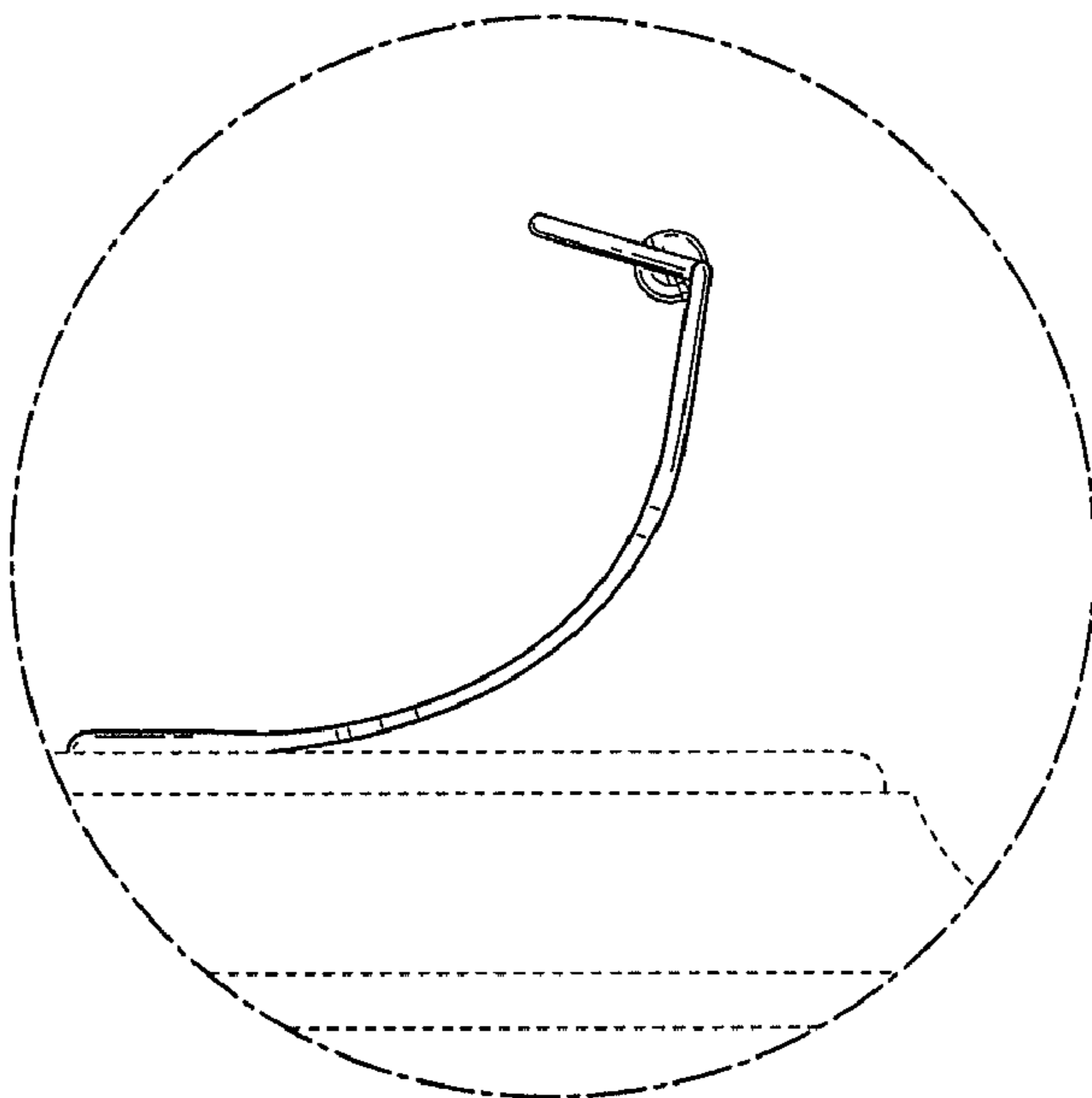


FIG. 11