



(43) International Publication Date  
18 September 2014 (18.09.2014)

- (51) **International Patent Classification:**  
H04L 29/06 (2006.01) H04W 12/10 (2009.01)  
H04L 9/32 (2006.01)
- (21) **International Application Number:**  
PCT/IB2014/000853
- (22) **International Filing Date:**  
6 March 2014 (06.03.2014)
- (25) **Filing Language:** English
- (26) **Publication Language:** English
- (30) **Priority Data:**  
61/794,447 15 March 2013 (15.03.2013) US  
61/794,371 15 March 2013 (15.03.2013) US
- (71) **Applicant:** ASSA ABLOY AB [SE/SE]; Klarabergs-  
viadukten 90, S-111 63 Stockholm (SE).
- (72) **Inventor:** HOYER, Philip; 43 Manor Road, Richmond  
TW9 1YA (GB).
- (81) **Designated States** (unless otherwise indicated, for every  
kind of national protection available): AE, AG, AL, AM,  
AO, AT, AU, AZ, BA, BB, BG, BH, BN, BR, BW, BY,  
BZ, CA, CH, CL, CN, CO, CR, CU, CZ, DE, DK, DM,

DO, DZ, EC, EE, EG, ES, FI, GB, GD, GE, GH, GM, GT,  
HN, HR, HU, ID, IL, IN, IR, IS, JP, KE, KG, KN, KP, KR,  
KZ, LA, LC, LK, LR, LS, LT, LU, LY, MA, MD, ME,  
MG, MK, MN, MW, MX, MY, MZ, NA, NG, NI, NO, NZ,  
OM, PA, PE, PG, PH, PL, PT, QA, RO, RS, RU, RW, SA,  
SC, SD, SE, SG, SK, SL, SM, ST, SV, SY, TH, TJ, TM,  
TN, TR, TT, TZ, UA, UG, US, UZ, VC, VN, ZA, ZM,  
ZW.

(84) **Designated States** (unless otherwise indicated, for every  
kind of regional protection available): ARIPO (BW, GH,  
GM, KE, LR, LS, MW, MZ, NA, RW, SD, SL, SZ, TZ,  
UG, ZM, ZW), Eurasian (AM, AZ, BY, KG, KZ, RU, TJ,  
TM), European (AL, AT, BE, BG, CH, CY, CZ, DE, DK,  
EE, ES, FI, FR, GB, GR, HR, HU, IE, IS, IT, LT, LU, LV,  
MC, MK, MT, NL, NO, PL, PT, RO, RS, SE, SI, SK, SM,  
TR), OAPI (BF, BJ, CF, CG, CI, CM, GA, GN, GQ, GW,  
KM, ML, MR, NE, SN, TD, TG).

**Published:**

— with international search report (Art. 21(3))

(88) **Date of publication of the international search report:**  
4 December 2014

WO 2014/140818 A3

(54) **Title:** METHOD, SYSTEM AND DEVICE FOR GENERATING, STORING, USING, AND VALIDATING TAGS AND DATA

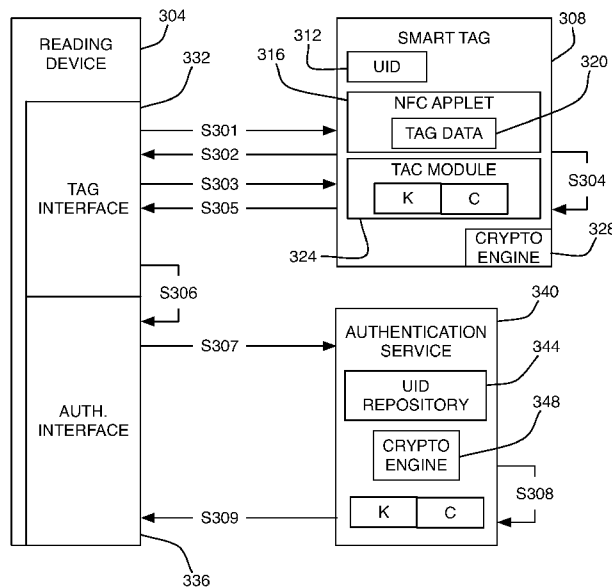


FIG. 3

(57) **Abstract:** A smart tag and methods of interacting with and authenticating interactions with the same are provided. The smart tag (308) is enabled to generate a Tag Authentication Cryptogram (TAC) and include the TAC in a data signature transmitted (S305) to a reading device (304). The data signature can be forwarded by the reading device (304) to an authentication service (340) that will issue a valid signature certificate (S309) if the TAC is determined to be unique and correct. Upon receiving the valid signature certificate, the reading device (304) can validate other data read from the smart tag (308) based on the increased trust relationship between the smart tag (308) and reading device (304).

INTERNATIONAL SEARCH REPORT

International application No  
PCT/IB2014/000853

A. CLASSIFICATION OF SUBJECT MATTER  
INV. H04L29/06 H04L9/32 H04W12/10  
ADD.  
According to International Patent Classification (IPC) or to both national classification and IPC

B. FIELDS SEARCHED  
Minimum documentation searched (classification system followed by classification symbols)  
H04L H04W G06K G06Q  
Documentation searched other than minimum documentation to the extent that such documents are included in the fields searched

Electronic data base consulted during the international search (name of data base and, where practicable, search terms used)  
EPO-Internal, WPI Data, INSPEC, COMPENDEX, IBM-TDB

C. DOCUMENTS CONSIDERED TO BE RELEVANT		
Category*	Citation of document, with indication, where appropriate, of the relevant passages	Relevant to claim No.
X	NFC FORUM: "NFC Signature Record Type Definition (RTD) Technical Specification", INTERNET CITATION, 18 November 2010 (2010-11-18), page 18pp, XP009175987, Retrieved from the Internet: URL:http://members.nfc-forum.org/specs/spec_license [retrieved on 2014-02-05]	10-14
Y A	sections 2, 3 figures 1-3; tables 1-8 Annex A	1-9 15
X	EP 2 487 629 A1 (NXP BV [NL]) 15 August 2012 (2012-08-15)	15
Y A	abstract; figures 1, 2 paragraphs [0005], [0006], [0010] paragraphs [0026] - [0028]	1-9 10-14
	----- -/--	

Further documents are listed in the continuation of Box C.  See patent family annex.

\* Special categories of cited documents :

<p>"A" document defining the general state of the art which is not considered to be of particular relevance</p> <p>"E" earlier application or patent but published on or after the international filing date</p> <p>"L" document which may throw doubts on priority claim(s) or which is cited to establish the publication date of another citation or other special reason (as specified)</p> <p>"O" document referring to an oral disclosure, use, exhibition or other means</p> <p>"P" document published prior to the international filing date but later than the priority date claimed</p>	<p>"T" later document published after the international filing date or priority date and not in conflict with the application but cited to understand the principle or theory underlying the invention</p> <p>"X" document of particular relevance; the claimed invention cannot be considered novel or cannot be considered to involve an inventive step when the document is taken alone</p> <p>"Y" document of particular relevance; the claimed invention cannot be considered to involve an inventive step when the document is combined with one or more other such documents, such combination being obvious to a person skilled in the art</p> <p>"&amp;" document member of the same patent family</p>
---	---

Date of the actual completion of the international search <b>9 September 2014</b>	Date of mailing of the international search report <b>17/09/2014</b>
--	---

Name and mailing address of the ISA/ European Patent Office, P.B. 5818 Patentlaan 2 NL - 2280 HV Rijswijk Tel. (+31-70) 340-2040, Fax: (+31-70) 340-3016	Authorized officer <b>Schossmaier, Klaus</b>
--	---

## INTERNATIONAL SEARCH REPORT

International application No  
PCT/IB2014/000853

C(Continuation). DOCUMENTS CONSIDERED TO BE RELEVANT		
Category*	Citation of document, with indication, where appropriate, of the relevant passages	Relevant to claim No.
X	WO 2011/089423 A2 (PROXAMA LTD [GB]; GARNER NEIL [GB]) 28 July 2011 (2011-07-28) abstract; figures 1, 3, 7 page 8, line 22 - page 9, line 34 page 14, line 23 - page 15, line 7 -----	1-15
X	US 2008/122584 A1 (ITASAKI AKIRA [JP] ET AL) 29 May 2008 (2008-05-29) abstract; figures 2, 6, 10 paragraphs [0046] - [0048] paragraphs [0054], [0075], [0076] paragraphs [0077], [0082], [0083] -----	1-15

# INTERNATIONAL SEARCH REPORT

Information on patent family members

International application No

PCT/IB2014/000853

Patent document cited in search report	Publication date	Patent family member(s)	Publication date	
EP 2487629	A1	15-08-2012	CN 102638446 A	15-08-2012
			EP 2487629 A1	15-08-2012
			US 2012207305 A1	16-08-2012
-----				
WO 2011089423	A2	28-07-2011	GB 2476989 A	20-07-2011
			WO 2011089423 A2	28-07-2011
-----				
US 2008122584	A1	29-05-2008	CN 101187987 A	28-05-2008
			JP 5023673 B2	12-09-2012
			JP 2008129988 A	05-06-2008
			US 2008122584 A1	29-05-2008
-----				