



US00D652980S

(12) **United States Design Patent**
Yoshida et al.

(10) **Patent No.:** **US D652,980 S**

(45) **Date of Patent:** **** Jan. 24, 2012**

(54) **LIGHTING FIXTURE**

(75) Inventors: **Kazufumi Yoshida**, Kanagawa (JP);
Junichiro Yamamoto, Kanagawa (JP)

(73) Assignee: **Toshiba Lighting & Technology Corporation**, Kanagawa (JP)

(**) Term: **14 Years**

(21) Appl. No.: **29/387,768**

(22) Filed: **Mar. 17, 2011**

(30) **Foreign Application Priority Data**

Oct. 15, 2010 (JP) 2010-024650

(51) **LOC (9) Cl.** **26-03**

(52) **U.S. Cl.** **D26/89**

(58) **Field of Classification Search** D26/72,
D26/75, 76, 79, 80, 83, 85, 86, 88, 89, 91,
D26/120, 134-136; 362/147, 294, 351, 356,
362/453-457, 404-408, 432, 249.02
See application file for complete search history.

(56) **References Cited**

U.S. PATENT DOCUMENTS

D170,084 S *	7/1953	Glatthar et al.	D26/89
D262,660 S *	1/1982	Fairbanks et al.	D26/88
D298,173 S *	10/1988	Oosterheerd	D26/42
D324,924 S *	3/1992	Bengochea	D26/88
D497,447 S *	10/2004	Yoneda	D26/72
D547,483 S *	7/2007	Pickett	D26/89
D583,983 S *	12/2008	Meyer et al.	D26/89
D584,851 S *	1/2009	Keller	D26/89
D639,488 S *	6/2011	Yoshida et al.	D26/89
D639,496 S *	6/2011	Wada et al.	D26/120

D639,497 S *	6/2011	Ogawa et al.	D26/120
D639,996 S *	6/2011	Stolte et al.	D26/89
D641,518 S *	7/2011	Van Den Akker	D26/89

FOREIGN PATENT DOCUMENTS

JP	D1384099	4/2010
JP	D1385267	4/2010
JP	D1406063	1/2011
JP	D1406629	2/2011
JP	D1407098	2/2011

* cited by examiner

Primary Examiner — Clare E Heflin

(74) *Attorney, Agent, or Firm* — J.C. Patents

(57) **CLAIM**

The ornamental design for a lighting fixture, as shown and described.

DESCRIPTION

FIG. 1 is a perspective view of a lighting fixture showing our new design;

FIG. 2 is a front view thereof, the rear view being identical to the front view;

FIG. 3 is a right side view thereof, the left side view being identical to the right side view;

FIG. 4 is a top view thereof;

FIG. 5 is a bottom view thereof;

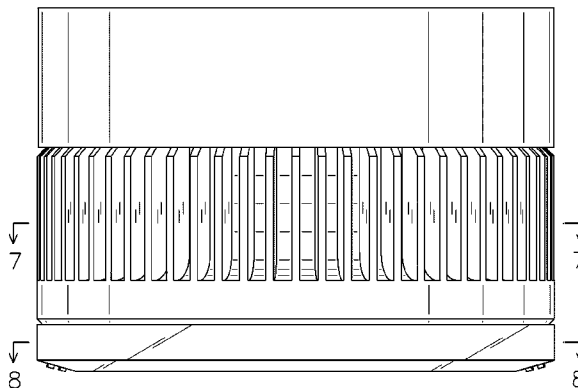
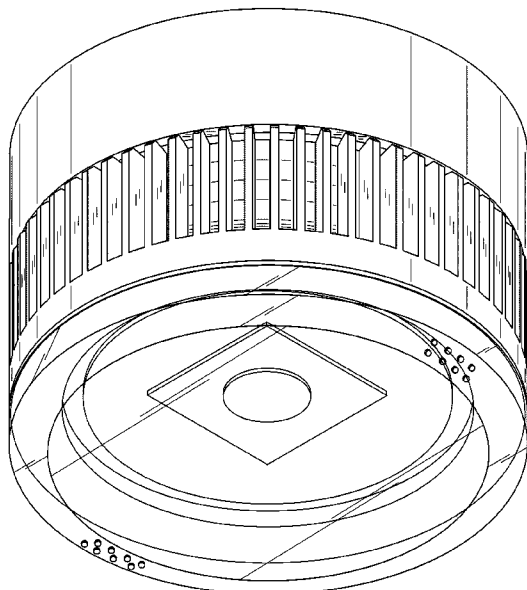
FIG. 6 is a cross-sectional view taken along line 6-6 in FIG. 3 with the internal parts omitted;

FIG. 7 is a cross-sectional view taken along line 7-7 in FIG. 2 with the internal parts omitted; and,

FIG. 8 is a cross-sectional view taken along line 8-8 in FIG. 2 with the internal parts omitted.

The portions shown in double cross-hatched lines in FIG. 6 and FIG. 8 are transparent.

1 Claim, 8 Drawing Sheets



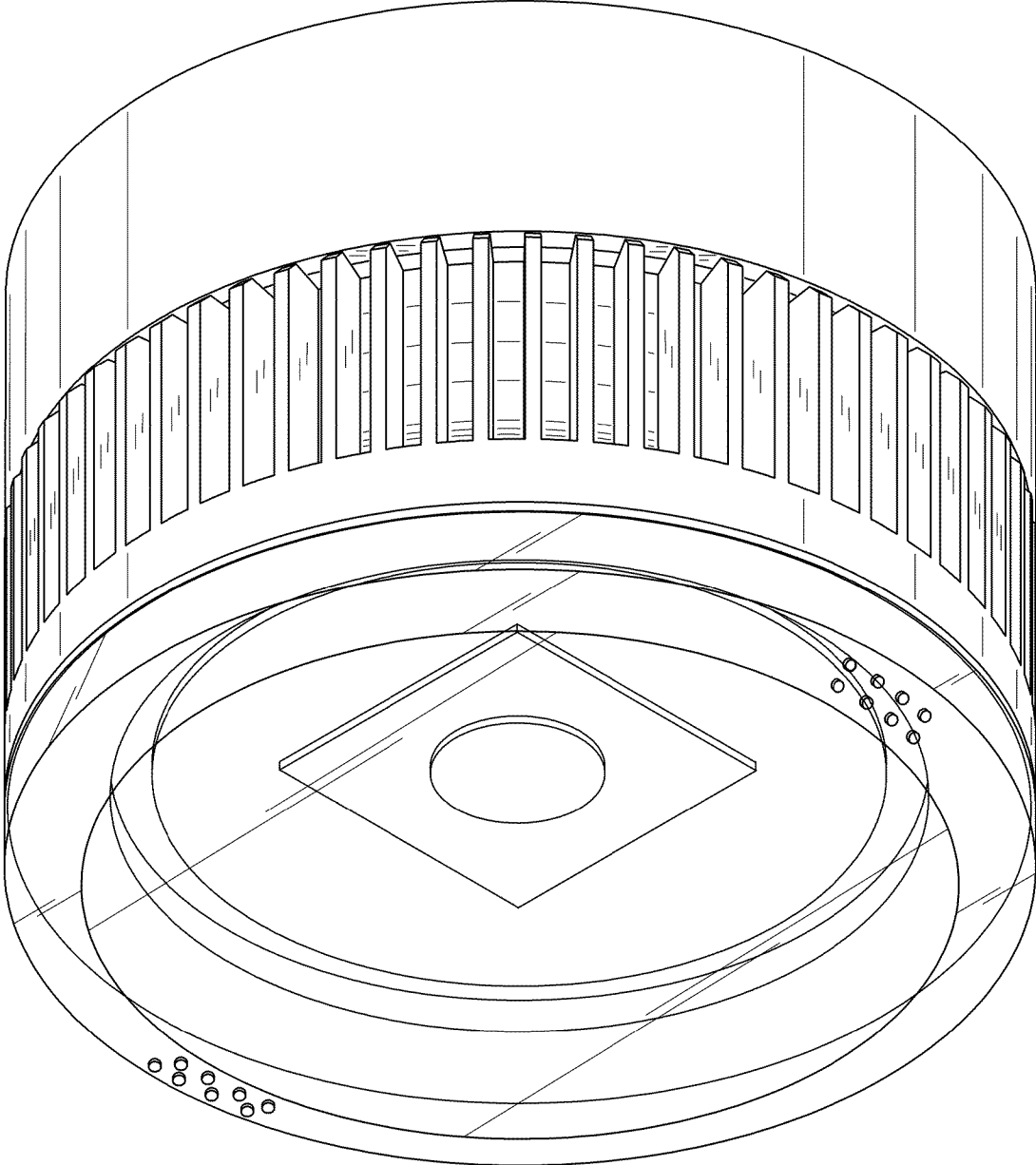


FIG. 1

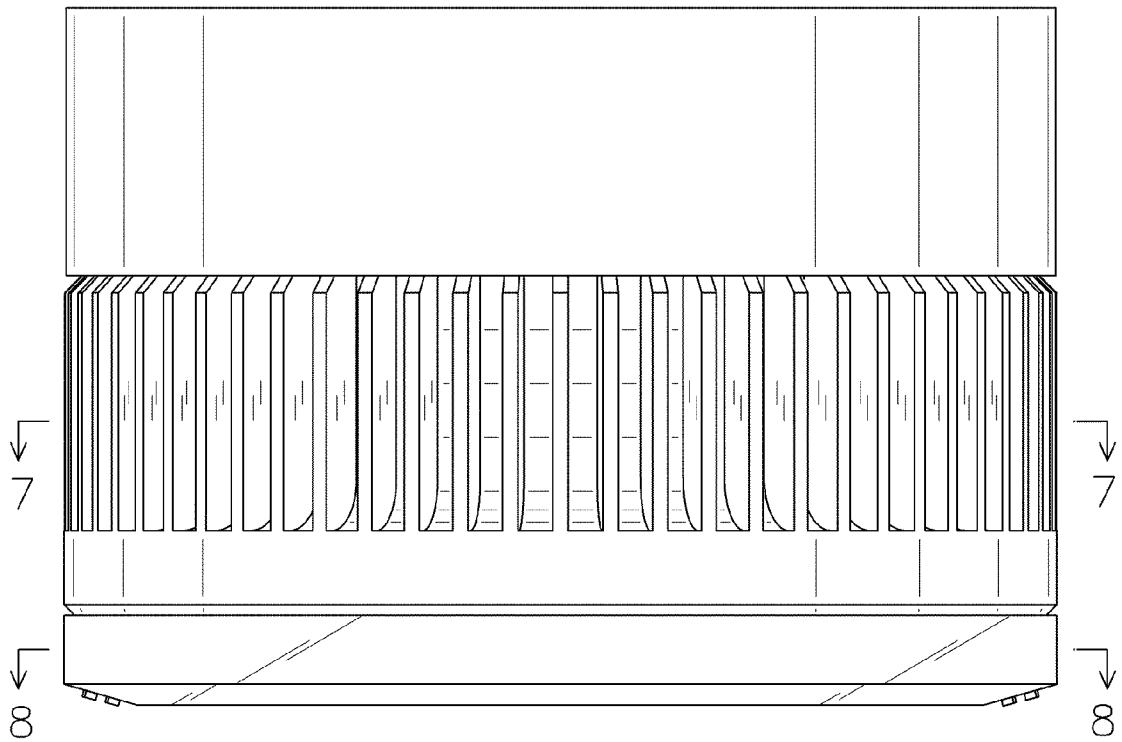


FIG. 2

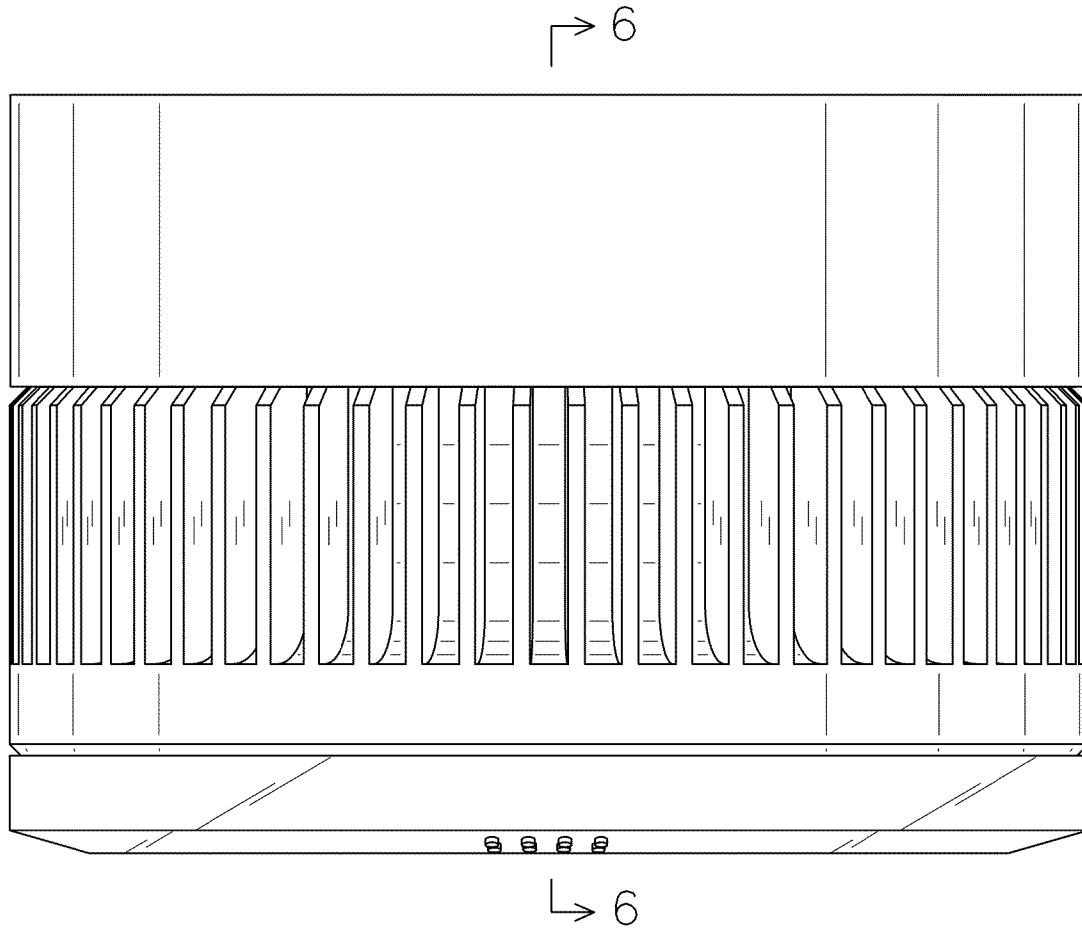


FIG. 3

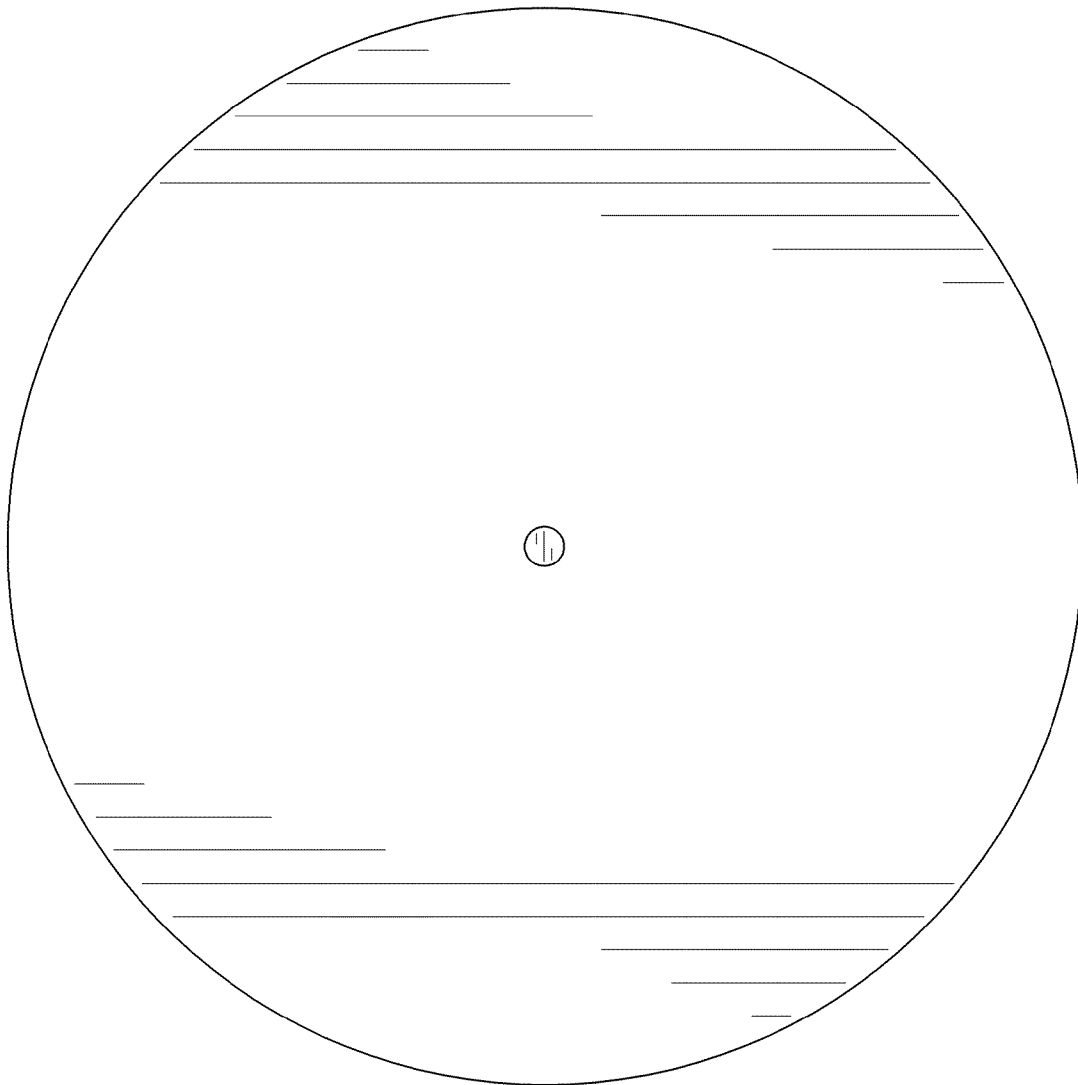


FIG. 4

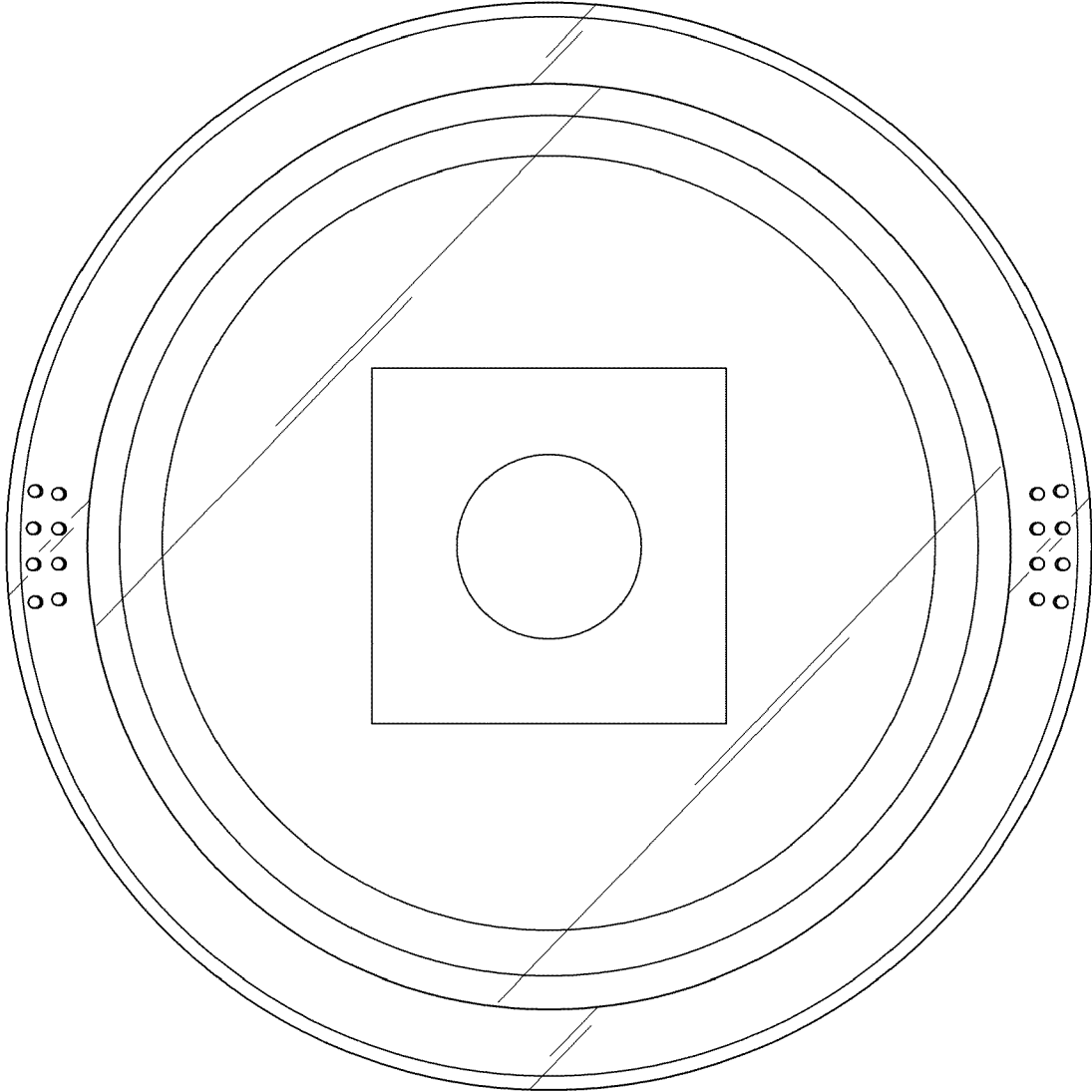


FIG. 5

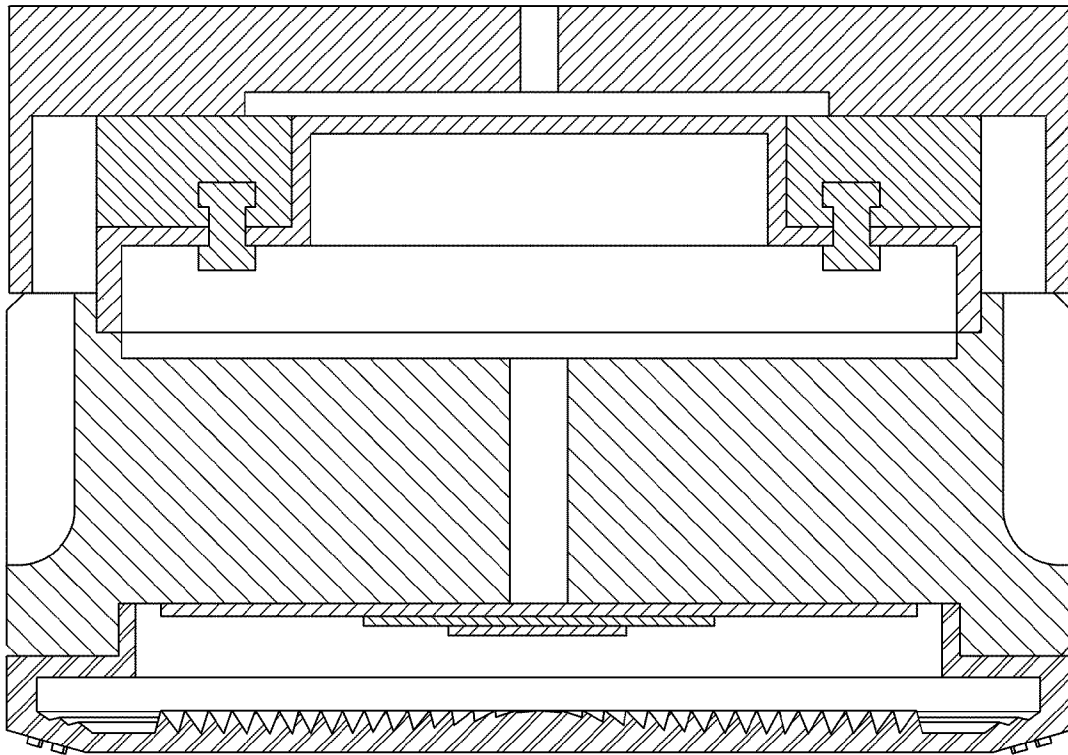


FIG. 6

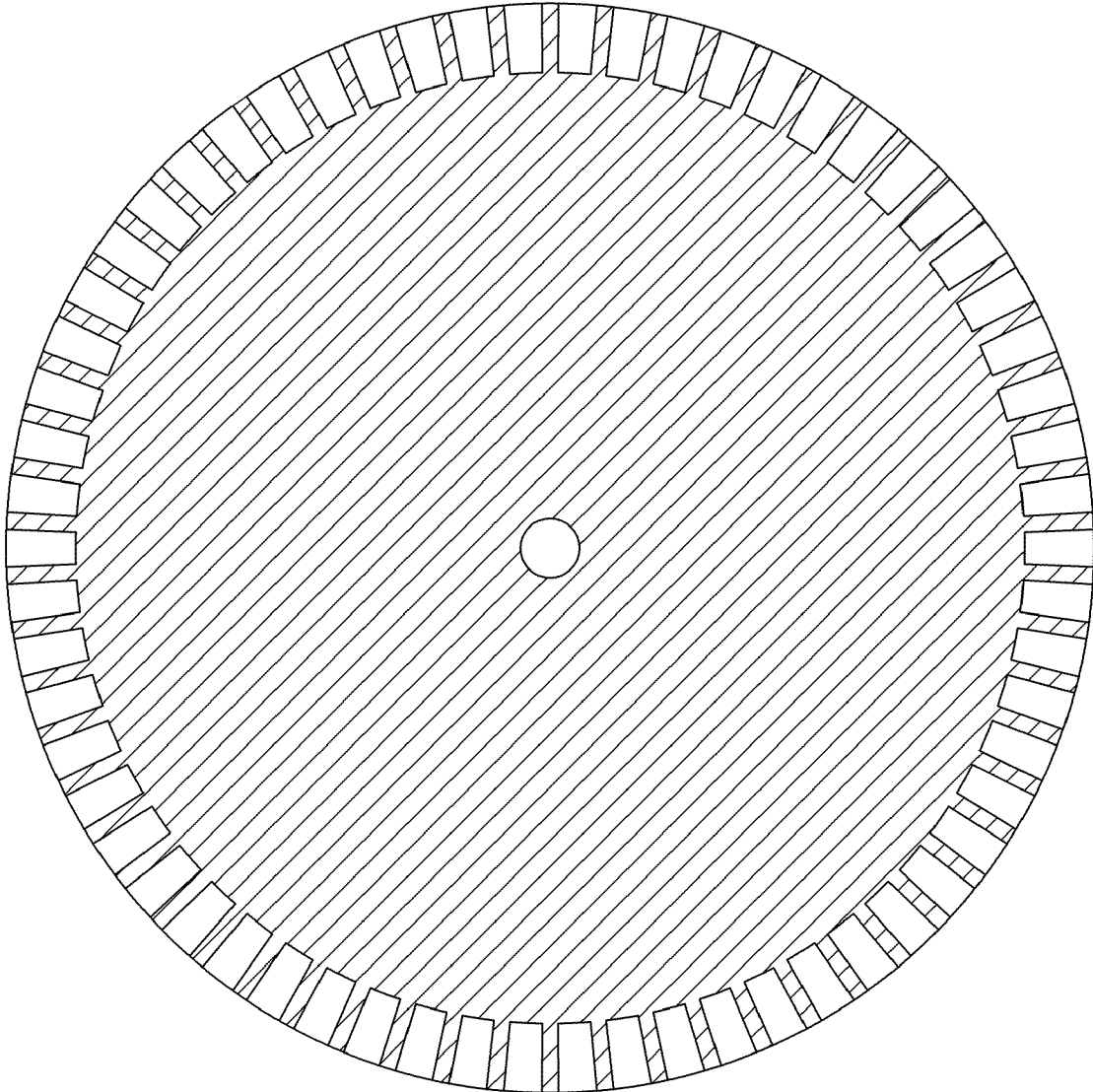


FIG. 7

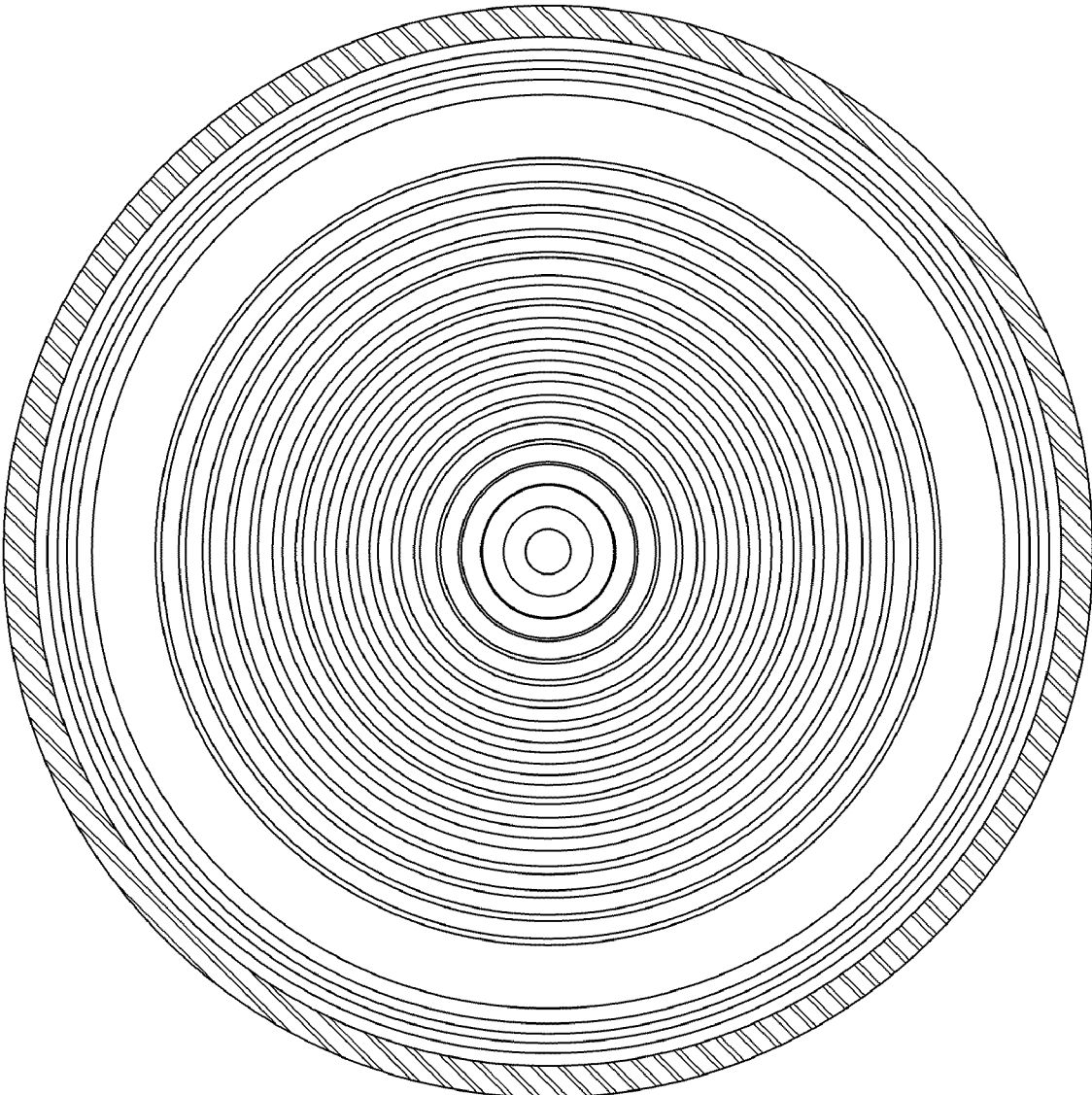


FIG. 8