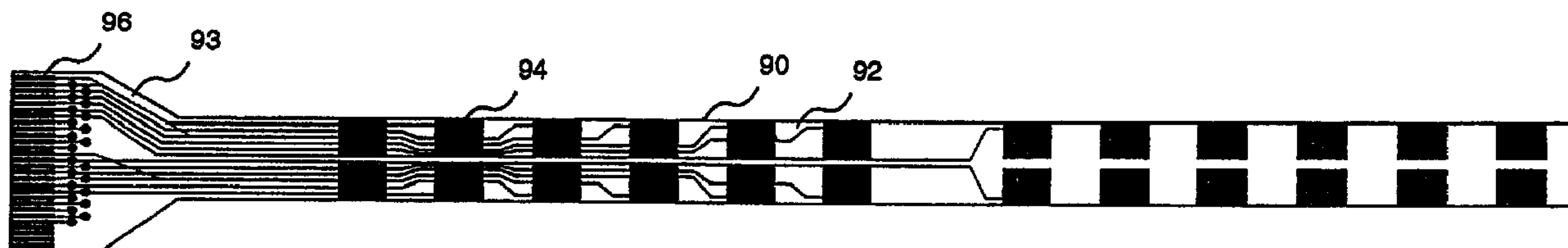




(22) Date de dépôt/Filing Date: 2000/04/05  
 (41) Mise à la disp. pub./Open to Public Insp.: 2000/10/12  
 (45) Date de délivrance/Issue Date: 2010/06/22  
 (62) Demande originale/Original Application: 2 368 851  
 (30) Priorités/Priorities: 1999/04/06 (SG9901521-6);  
 2000/04/05 (SG200001891-1)

(51) Cl.Int./Int.Cl. *H01R 25/16* (2006.01),  
*H01R 13/02* (2006.01), *H01R 31/06* (2006.01)  
 (72) Inventeurs/Inventors:  
 SOLOMON, I. DAVID, SG;  
 PELA, PETER LAWRENCE, US  
 (73) Propriétaire/Owner:  
 ITRACS CORPORATION, US  
 (74) Agent: GOWLING LAFLEUR HENDERSON LLP

(54) Titre : SYSTEME DE CONTROLE DE STRUCTURE DE CONNEXION D'ENTREES DE DONNEES  
 (54) Title: A SYSTEM FOR MONITORING CONNECTION PATTERN OF DATA PORTS



(57) Abrégé/Abstract:

The present invention determines and monitors the connection pattern of data ports which are connected by multiconductor cables without requiring special patch cables or patch panels. An adapter jacket having an external contact is placed over a standardized cable such as an RJ45 cable which connects the data ports. An adapter board having a plurality of socket contacts is placed adjacent a plurality of data ports. An output and input module are coupled to the socket contacts. A micro-processor which is coupled to the output and input module scans the socket contacts to determine the connection pattern of the data ports.

**ABSTRACT**

5 The present invention determines and monitors the connection  
pattern of data ports which are connected by multiconductor cables without  
requiring special patch cables or patch panels. An adapter jacket having an  
external contact is placed over a standardized cable such as an RJ45 cable  
which connects the data ports. An adapter board having a plurality of socket  
contacts is placed adjacent a plurality of data ports. An output and input  
10 module are coupled to the socket contacts. A micro-processor which is  
coupled to the output and input module scans the socket contacts to  
determine the connection pattern of the data ports.

## **A SYSTEM FOR MONITORING CONNECTION PATTERN OF DATA PORTS**

### **FIELD OF THE INVENTION**

5

The present invention relates to the field of cabled systems and related computer peripheral devices, and more particularly to a system and method for determining interconnection pattern of data ports without requiring special patching cables or patching panels.

10

### **BACKGROUND OF THE INVENTION**

The problems of tracking the interconnection pattern among the various ports in a local area network are well known to those skilled in the art. At least one system which deals with this problem is described in the US Patent No. 5,483,467 entitled "Patching Panel Scanner". The patent describes a patching panel scanner which automatically and continuously senses the interconnection arrangement of various ports such as computer ports and user ports. In this type of system, the interconnection between the ports are provided by patching cables or alternatively by apparatus of internal connection in patching panels such as the CLPP cordless patching panel available from RIT Technologies Ltd. of Tel Aviv, Israel.

In this type of system, in order to determine the interconnectivity pattern of the various ports, a conductor needs to interconnect the ports and deliver a signal to the scanner indicating the connection status of a particular port. In the modern computer era, it is actually difficult to provide a conductor for this purpose because most modern data cables being used to interconnect various

devices have to meet a particular pre-determined standard in the industry. So for instance, a standard cable such as RJ45 eight wires per cable, each having an end which is adapted to mate with an RJ45 port. No free wire allows for scanning for interconnectivity.

5           Therefore, in the prior art scanner systems, the ports needed to be interconnected via a patch panel which required a special patch cable or an apparatus of internal connections in the patch panels. In any case, the ports could not be connected directly using standard cables. Although the need for and desirability of having a scanner system which can utilize standard cables  
10 clearly exist, so far, the industry has been unable to come up with such a system.

#### OBJECT OF THE INVENTION

15           It is therefore an objective of the present invention to provide a system for monitoring and determining the interconnectivity of ports which overcomes the shortcomings of the prior art system described above.

          More particularly, it is an object of present invention to provide a system for monitoring and determining the interconnectivity of ports which does not  
20 require special patch panels or patch cables.

          More particularly, it is an object of present invention to provide a system for monitoring and determining the interconnectivity of ports which utilizes standard connection cables.

25

#### SUMMARY OF THE INVENTION

The present invention determines and monitors the connection pattern of data ports which are connected by multiconductor cables without requiring special patch cables or patch panels. In order to electronically determine the connectivity between one port to another, it is generally well understood that an electrical conductor needs to connect one port to the other. Although this principle is well known, in the modern era where many of the standardized cables such as RJ11 and RJ45 are used, it is difficult to provide this dedicated conductor for connectivity-scanning purposes because each of the wires within the cable is used for a standardized purpose which may interfere with the connectivity-scanning operation.

In the present connectivity monitoring system, a dedicated conductor which may be attached to an existing cable is provided. The conductor interacts with an adapter board which is attached to a port where the cable is to be connected. To provide an additional contact point for the scanning operation, an adapter jacket is provided which attaches to an RJ45 jack. The adapter jacket is attached to the jack at both ends of the cable. The additional contact point for the scanning operation is provided via an external contact located on the outside of the adapter jacket. An external conductor wire connects the external contact of the jack at each end of the cable such that the contact at each respective end will be electrically coupled to each other.

To provide a contact point for the external contact of the adapter jacket at the port site, an adapter board is provided above the port sockets with each of the sockets having a socket contact. The socket contact is positioned such that when the RJ45 jack having the adapter jacket is inserted into a socket, the contact of the adapter jacket electrically mates with the socket contact of the adapter board.

In the overall system, the adapter board is coupled to an output module and an input module. The output driver module has a plurality of output drivers, and the receiver module has a plurality of latches (other similar electronic devices can be used instead of latches). Each of the socket contacts is uniquely connected to one output driver and one latch. The output module and the input module are both coupled to a micro-processor which is in turn coupled to a communication interface. The system may be coupled to a local area network or to a computer to report the information regarding the connection pattern.

Both the output module and the input module can be implemented using standard IC devices. The main function of the output module is to provide a plurality of output drivers which address the adapter contacts and to send a signal to the contacts when instructed to do so by the micro-processor. The main function of the input module is to provide a plurality of latches (or other similar devices) which also address the contacts and to receive the signal sent by the output drivers. The communication interface can also be implemented using standard devices currently available to interface between the micro-processor and local area network and electronic devices.

Now to describe the operation of the present system, the micro-processor has pre-designated one output driver as a first driver and the socket contact which it is connected to as the first contact. The latch in the input module which is connected to the designated first contact is designated as the first latch. The port corresponding to the first socket contact is considered to be the first port. Another driver is pre-designated as a second driver, and its corresponding socket contact is designated as a second contact and its corresponding latch is designated as a second latch. The same designation

scheme is applied to third, fourth, fifth, and so on, driver/contact/latch groupings such that all groups are uniquely designated.

Initially, all of the socket contacts are at low state with no signal being sent to them by the output module. To monitor the connectivity of the various ports, 5 the micro-processor causes the designated first output driver to send out a pulse signal to the socket contact which the micro-processor has designated as the first contact. This places the first socket contact at a high state, and consequently, also places the first latch in the input module at the high state. After sending out the signal, the micro-processor scans the input module for a 10 latch having a high state. If only the first latch indicates a high, then the micro-processor concludes that no valid connection has been made between the first port and another port. If, however, a port other than the first port, port one, indicates a high state, for instance port seven, then the micro-processor concludes that the port is validly connected to port seven. Once the 15 connectivity state of port one is determined, the result is stored in memory and the same process is repeated for port two and so on until all of the ports' connection status has been determined.

#### BRIEF DESCRIPTION OF THE DRAWINGS

20

FIG. 1A is a perspective illustration of a current RJ45 cable which can be adapted to work with the present system.

FIG. 1B is a perspective illustration of the RJ45 cable of FIG. 1A which has been fitted with an adapter jacket of the present invention.

25

FIG. 1C is an isolated perspective illustration of an adapter jacket of the present invention which is adapted for an RJ45 cable jack.

FIG. 2 is a front view of a plurality of RJ45 sockets fitted with an adapter board of the present invention.

FIG. 3 is a simplified schematic illustration of the present connectivity monitoring system.

5 FIG. 4 is a simplified schematic illustration which shows the relationship between the output drivers, the socket contacts, and the receiver latches.

FIGS. 5A, 5B, 5C illustrate various other standard cables which can be adapted for use with the present system.

10 FIGS. 6A, 6B, 6C illustrate various other standard cables which can be adapted for use with the present system.

FIGS. 7A, 7B, 7C illustrate various other standard cables which can be adapted for use with the present system.

FIG. 8 is a simplified schematic illustration of the present connectivity monitoring system incorporating the optional diagnostic pen.

15 FIG. 9 is a simplified schematic illustration which shows the relationship between the output drivers, the socket contacts, the receiver latches, and the pen input latch.

FIG. 10 illustrates an embodiment where the external contact is a pin which is supported by a spring.

20 FIG. 11 illustrates an embodiment where the external contact is placed in the jack itself.

FIG. 12 illustrates adapter strip which is fabricated out of flex tape.

FIG. 13 is a simplified schematic illustration of the present connectivity monitoring system incorporating the optional diagnostic pen and LCD units.

25 FIG. 14 is a simplified schematic illustration which shows the relationship between the output drivers, the socket contacts, the receiver latches, the pen input latch, and LCD drivers.

### DETAILED DESCRIPTION OF THE INVENTION

In order to electronically determine the connectivity between one port to  
5 another, it is generally well understood that an electrical conductor needs to  
connect one port to the other. Although this principle is well known, in the  
modern era where many of the standardized multi-conductor cables such as  
RJ11 and RJ45 are used, it is difficult to provide this dedicated conductor for  
connectivity-scanning purposes because each of the wires within the cable is  
10 used for a standardized purpose which may interfere with the connectivity-  
scanning operation. Although it may be possible to share an existing wire in  
the cable for the scanning operation, this would require additional circuitry for  
differentiating between the signals used for the scanning purposes and the  
signals used for other purposes such as data transfer. Moreover, in many  
15 cases, it may be impossible to effectively share an existing wire or conductor.

In the present connectivity monitoring system, a dedicated conductor  
which may be attached to an existing cable is provided. The conductor  
interacts with an adapter board which is attached to a port where the cable is to  
be connected. Although in describing the preferred embodiment of the  
20 present invention, a specific cable/port combination utilizing a common standard  
such as RJ45 will be shown, it should be appreciated that this is done for  
illustration purposes only, and is not meant to limit the present invention to this  
illustrative example.

Now in referring to FIG. 1a, a standard RJ45 cable 3 having a jack 5 is  
25 shown. Although only one end of the cable is shown here in FIG. 1a for  
illustration purposes, it should be understood that a similar jack is attached to the  
other end of the cable. The RJ45 jack 5 has eight standard contact points 6.

To provide an additional contact point for the scanning operation, an adapter jacket 7, FIG. 1c, is provided which attaches to the RJ45 jack as shown in FIG. 1b. The adapter jacket is attached to the jack 5 at both ends of the cable 3 (though only one is shown in the figure). The additional contact point for the scanning operation is provided via an external contact 8 located on the outside of the adapter jacket 7. An external conductor wire 9 connects the external contact 8 of the jack 5 at each end of the cable 3 such that the contact 8 at each respective end will be electrically coupled to each other.

Now referring to FIG. 2, a plurality of RJ45 sockets is shown which are standard sockets which mate with a standard RJ45 jack. The sockets may be ports for a network equipment such as a Base-T hub, PABX, and key-phone system, or may be part of a patch panel, though a special patch panel is not required for a successful operation of the present system. To provide a contact point for the external contact 8 of the adapter jacket 7, an adapter board 14 is provided above the sockets 12 with each of the sockets 12 having a socket contact 15. The socket contact 15 is positioned such that when the RJ45 jack 5 having the adapter jacket 7, as shown in FIG. 1B, is inserted into a socket 12 of FIG. 2, the contact 8 of the adapter jacket 7 electrically mates with the socket contact 15 of the adapter board 14. Although here the adapter board 14 is shown to carry a plurality of socket contacts 15, it is entirely possible, and sometimes desirable, to have an adapter board 14 which carries only one socket contact which is used on a single isolated socket.

Referring now to FIG. 3, a simplified schematic illustration of the present system 1 is shown. The adapter board 14 of FIG. 2 is coupled to an output module 18 and input module 19. As shown in more detail in FIG. 4, the output driver module 18 has a plurality of output drivers 20, and the receiver module 19 has a plurality of latches 25 (other similar electronic devices can be used

instead of latches). Each of the socket contacts 15 is uniquely connected to one output driver 20 and one latch 25. The output module 18 and the input module 19 are both coupled to a micro-processor 21 which is in turn coupled to a communication interface 22. The system 1 may be coupled to a local area network 23 or to a computer 24 to report the information regarding connectivity.

Both the output module and input module can be implemented using standard IC devices. The main function of the output module 18 is to provide a plurality of output drivers 20 which address adapter contacts 15 and to send a signal to the contacts 15 when instructed to do so by the micro-processor 21. The main function of the input module 19 is to provide a plurality of latches 25 (or other similar devices) which also address the contacts 15 and to receive the signal sent by the output drivers. The communication interface 22 can also be implemented using standard devices currently available to interface between the micro-processor 21 and local area network 23 and electronic devices.

Now to describe the system 1 in greater detail, the adapter board 14 shown in FIG. 3 is placed over port sockets (not shown in FIG. 3 but shown in FIG. 2). The micro-processor 21 has pre-designated one output driver as a first driver and the socket contact which it is connected to as the first contact. The latch in the input module 19 which is connected to the designated first contact is designated as the first latch. The port corresponding to the first socket contact is considered to be the first port. Another driver is pre-designated as a second driver, and its corresponding socket contact is designated as a second contact and its corresponding latch is designated as a second latch. The same designation scheme is applied to third, fourth, fifth, and so on, driver/contact/latch groupings such that all groups are uniquely designated. Of course, the designations are somewhat arbitrary and the particular designation

number or scheme is not important so long as the individual groupings are uniquely traceable by the micro-processor 21.

Initially, all of the socket contacts 15 are at low state with no signal being sent to them by the output module 18. To monitor the connectivity of the various ports, the micro-processor 21 causes the designated first output driver  
5 to send out a pulse signal to the socket contact 15 which the micro-processor 21 has designated as the first contact. This places the first socket contact at a high state, and consequently, also places the first latch in the input module 19 at the high state. After sending out the signal, the micro-processor 21 scans the  
10 input module 19 for a latch having a high state. If only the first latch indicates a high, then the micro-processor 21 concludes that no valid connection has been made between the first port and another port. If, however, a port other than the first port, port one, indicates a high state, for instance port seven, then the micro-processor 21 concludes that the port 1 is validly connected to port  
15 seven. Once the connectivity state of port one is determined, the result is stored in memory and the same process is repeated for port two and so on until all of the ports' connection status has been determined.

While other scanning scheme can be employed with the present system, the scheme described above is the one employed in the preferred  
20 embodiment. The advantage of the scheme described above is that it allows any port to be connected to any other port. This is unlike patch panel scanning systems where one panel may need to be designated as the input panel, and the other panel is designated as the output panel, and a cable needs to connect a port from the output panel to a port from the input panel. The cable  
25 cannot connect, for instance, a port from the input panel to another port from the same input panel. This feature is particularly useful for the present invention

because no special patch panels are required, and so the ports may be randomly spread out in no particular order.

In some situations, a user may wish to know the identity of a particular data port which has been fitted with the present invention. In previous systems, unless the port is properly labeled at the socket site, it is difficult for a user to ascertain the identity of the port without tracing the cable connecting the port all the way to its source. To provide a solution to this problem, the present system can optionally include a diagnostic pen which can assist in identifying a port simply by making contact with the socket contact corresponding to the port the user wishes to identify.

The block diagram of the present system incorporating this diagnostic pen is shown in FIG. 8. As shown in FIG. 8, the pen 80 has an electrically conductive tip 82. The tip 82 is electrically coupled to a pen input module 84. The pen input module 84 is communicably coupled to the micro-processor 21. As shown in greater detail in FIG. 9, the pen input module 84 basically comprise a single latch 27 (or other similar device) for receiving an electrical signal.

To determine which socket contact 15 is making contact with the tip 82 of the diagnostic pen 80, the micro-processor 21 continually monitors the status of the pen input module 84. As explained above, the output module continually sends out an electrical signal to each of the socket contacts 15. Because each of the socket contacts 15 is uniquely addressed at the output module 18, each socket contact 15 is uniquely traceable. Therefore, the micro-processor 21 is always able to uniquely determine which socket contact 15 is being sent the electrical signal by the output module 18 at any given moment. Initially, when the tip 82 of the pen 80 is not making contact with any of the socket contacts, the pen input module 84 is at a low state because it has not receive any

electrical signal. When the tip 82 touches one of the socket contacts 15, however, the pen input module 84 goes high. By determining which socket contact 15 the output module 18 has sent the signal to when the pen input module 84 goes high, the micro-processor 21 is able to determine which  
5 socket contact 15 has made contact with the pen tip 82. The data port corresponding to that particular socket contact 15 then can be identified.

To further assist in the identification of the data ports, and also to facilitate greater flexibility to the present system, the present system can optionally further include liquid crystal display (LCD) units 100 for each of the ports as  
10 shown in FIG. 13. The LCD units 100 are mounted adjacent to the data ports, and are communicably coupled to an LCD module 102. The detailed schematic is shown in FIG. 14. The LCD module 102 basically comprise a plurality of output drivers 28 which are uniquely connected to the LCD units 100. The LCD units 100 will indicate information about a particular port, or a  
15 row of ports. For instance, the LCD unit may indicate the device which is connected to the port, the user name, IP address, etc. The LCD may be used in conjunction with the pen 80 such that by touching the socket contact of a particular port, the micro-processor sends the information about the port to the LCD unit corresponding to the socket contact which made contact with the pen  
20 80. The LCD units 100 may also carry an interactive feature where a user can select different options based on a simple menu such as a YES/NO menu scheme where the user can indicate his choice by touching the socket contact (or alternatively a separate dedicated contact pad for the LCD units) with the pen 80. Although here the LCD units 100 were shown here to be separate  
25 units, it should be understood that a single continuous strip of LCD may be used.

Although the present invention has been illustrated using the RJ45 standard, one skilled in the art should appreciate that the present invention can be implemented using other existing standards. Some such examples are shown in FIG. 5, 6, and 7, where the currently available SC connectors, ST connectors, and BNC connectors, respectively, are fitted with an adapter jacket and their respective ports are provided with an adapter board.

In FIG. 5, 5A, 5B, and 5C, a standard SC connector 30 is fitted with an adapter jacket 31 having a contact 32 to yield an adapted SC connector 33. Also, the SC connector sockets 35 have been fitted with adapter boards 34 with adapter contact points 36.

In FIG. 6, 6A, 6B, and 6C, a standard ST connector 40 is fitted with an adapter jacket 41 having a contact 42 to yield an adapted ST connector 44. Also, the ST connector sockets 45 have been fitted with adapter boards 44 with adapter contact points 46.

In FIG. 7, 7A, 7B, and 7C, a standard BNC connector 50 is fitted with an adapter jacket 51 having a contact 52 to yield an adapted BNC connector 55. Also, the BNC connector sockets 55 have been fitted with adapter boards 54 with adapter contact points 56.

In an alternative embodiment of the present invention, the external contact 8 of the adapter jacket 7 (as shown in FIG. 1c) is in the form of a contact pin 60 as shown in FIG. 10. In this embodiment, the pin 60 is slidably engaged in a barrel 62 which is placed inside the adapter jacket 64. The contact pin 60 is supported by a spring 66 which resides inside the barrel 62 and provides tension to the pin 60 when it is depressed in the direction shown by the arrow 65. The tension provided by the spring 66 allows the contact pin 60 to make better contact with the socket contact 15 of the adapter board 14 (FIG. 2). It should be appreciated by those skilled in the art that although a

spring was shown here, the spring 66 may be replaced with other devices that can provide the necessary tension to the pin 60.

In another embodiment of the present invention, the external contact is placed within the standardized jack itself. An example of such an embodiment is shown in FIG. 11. Here, the contact pin 70 is placed on the RJ45 jack 72 itself. Similar to the embodiment shown in FIG. 10, the contact pin 70 is slidably engaged in a barrel 74 and also supported by a spring 76. It is to be understood however, that it is possible to have an external contact without the barrel 74 and the spring 76. In this embodiment, the socket contact is placed inside the socket itself to make contact with the contact pin 70.

In yet another embodiment of the present invention, a flex tape may be used to form an adapter strip 90, as shown in FIG. 12, which is an embodiment of the adapter board. The adapter strip 90 may be provided with an adhesive such that it can be conveniently pasted adjacent to the sockets. The adapter strip 90 comprises a main body 92 and a head portion 93 which are fabricated from flex tape which is a common substrate material currently being used to support electronic circuitry. The main body 92 has a plurality of contacts 94 which are spaced in correspondence with the spacing of the data ports for which the adapter strip is to be placed adjacent to. Two rows of contacts may be provided such as shown in FIG. 12 to accommodate two rows of ports located above and below the adapter strip 90. However, an adapter strip having only a single row is clearly possible. Each contact 94 is connected by a conductor such as a wire which ends in a conductor strip 96 at the head portion 93. The wire strips 96 provide a convenient way to electrically mate the adapter strip 90 to the output 18 and input modules 19.

In yet another embodiment of the present invention, the socket contact is in the form of a port or a socket which tightly mates with the external contact.

In yet another embodiment of the present invention, the adapter jacket is integrated with the standardized multi-conductor cable.

The present invention may be embodied in other specific forms without departing from the spirit or essential characteristics thereof. The presently  
5 disclosed embodiments are, therefore, to be considered in all respects as illustrative and not restrictive, the scope of the invention being indicated by the appended claims and all changes which come within the meaning and range of equivalency of the claims are, therefore, to be embraced therein.

1 **CLAIMS**

2

3 1. An adapter strip for providing a socket contact for data ports  
4 comprising: a substrate having a main body and a head portion, said  
5 substrate made of flex tape; a plurality of contacts placed on the main body,  
6 a spacing of said contacts corresponding to a spacing of said data ports; and  
7 a conductor connecting to each said contacts, said conductor ending at said  
8 head portion.

FIG 1A

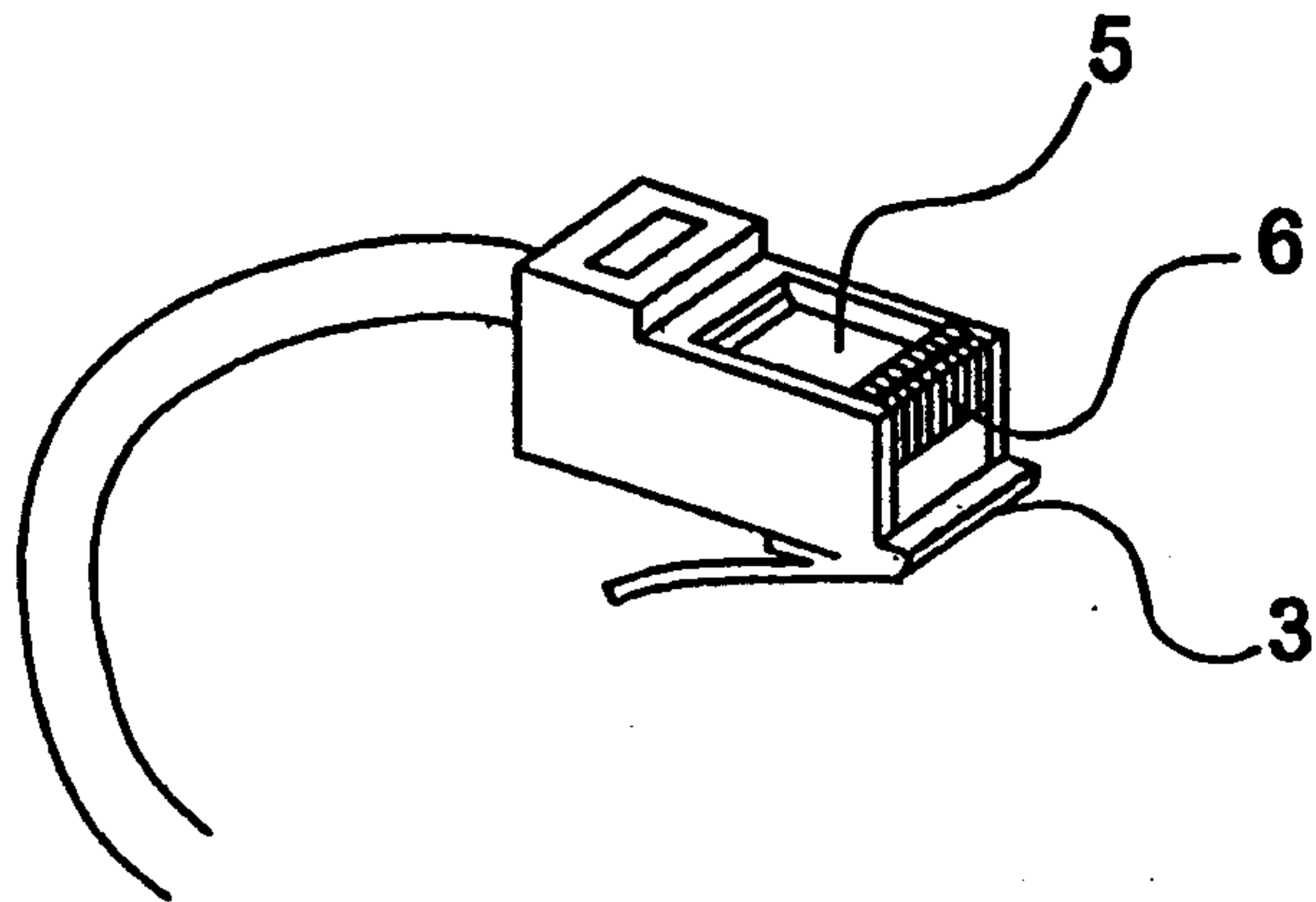


FIG 1B

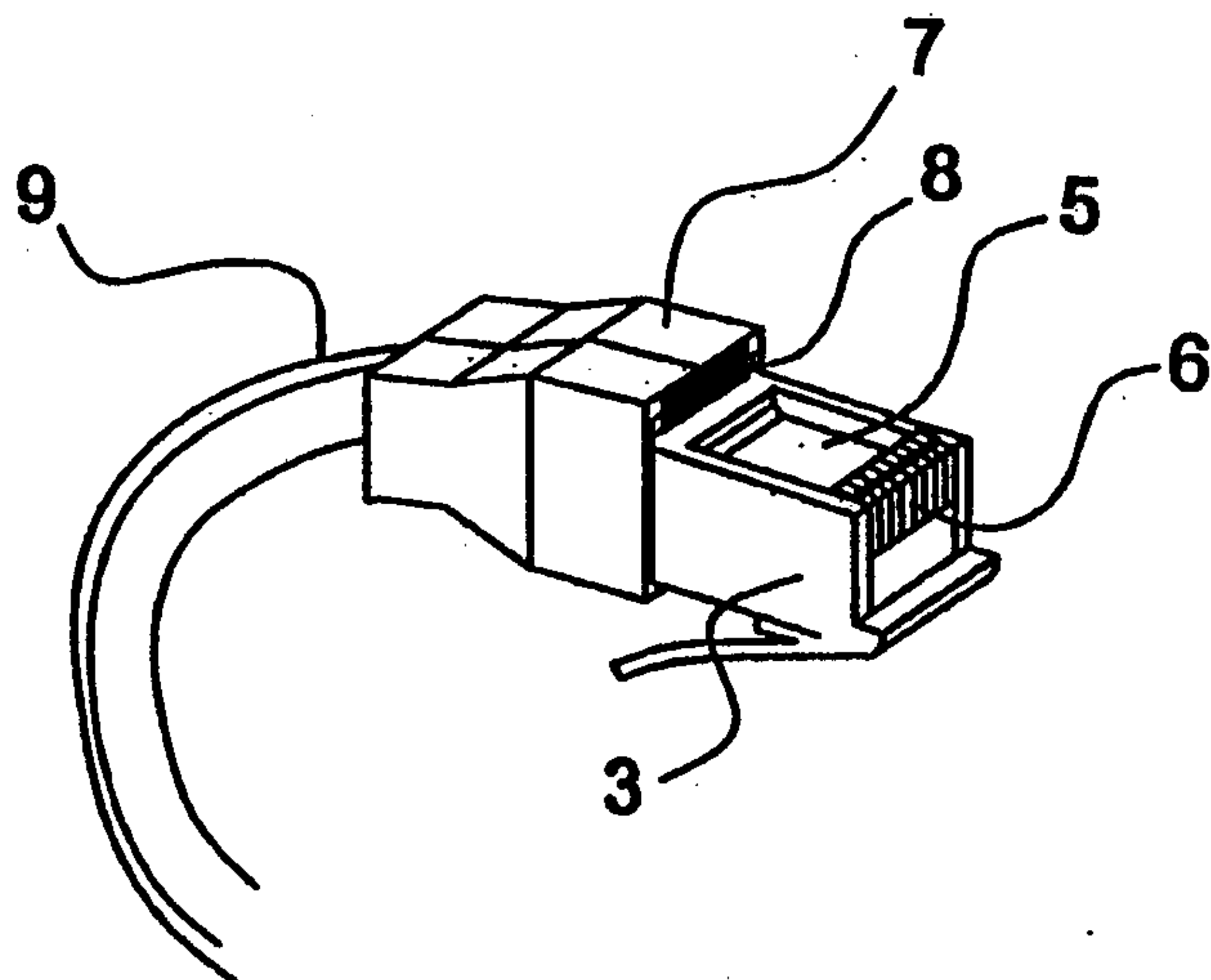
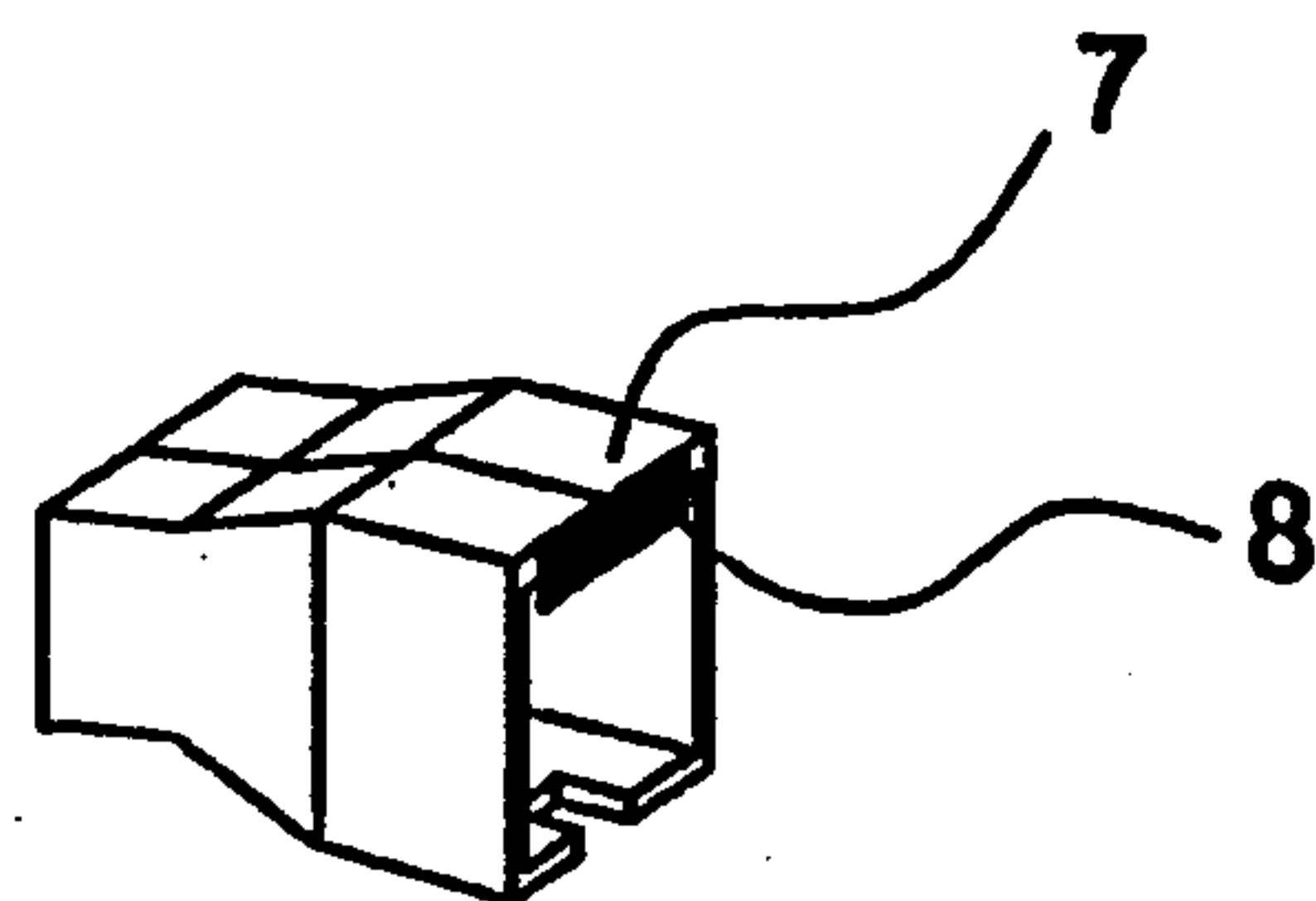


FIG 1C



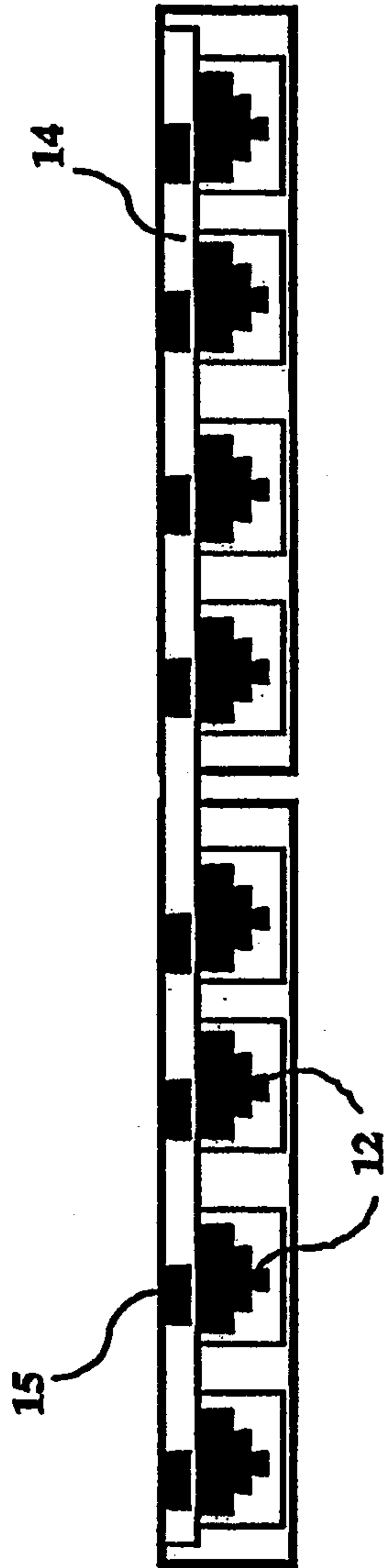


FIG 2

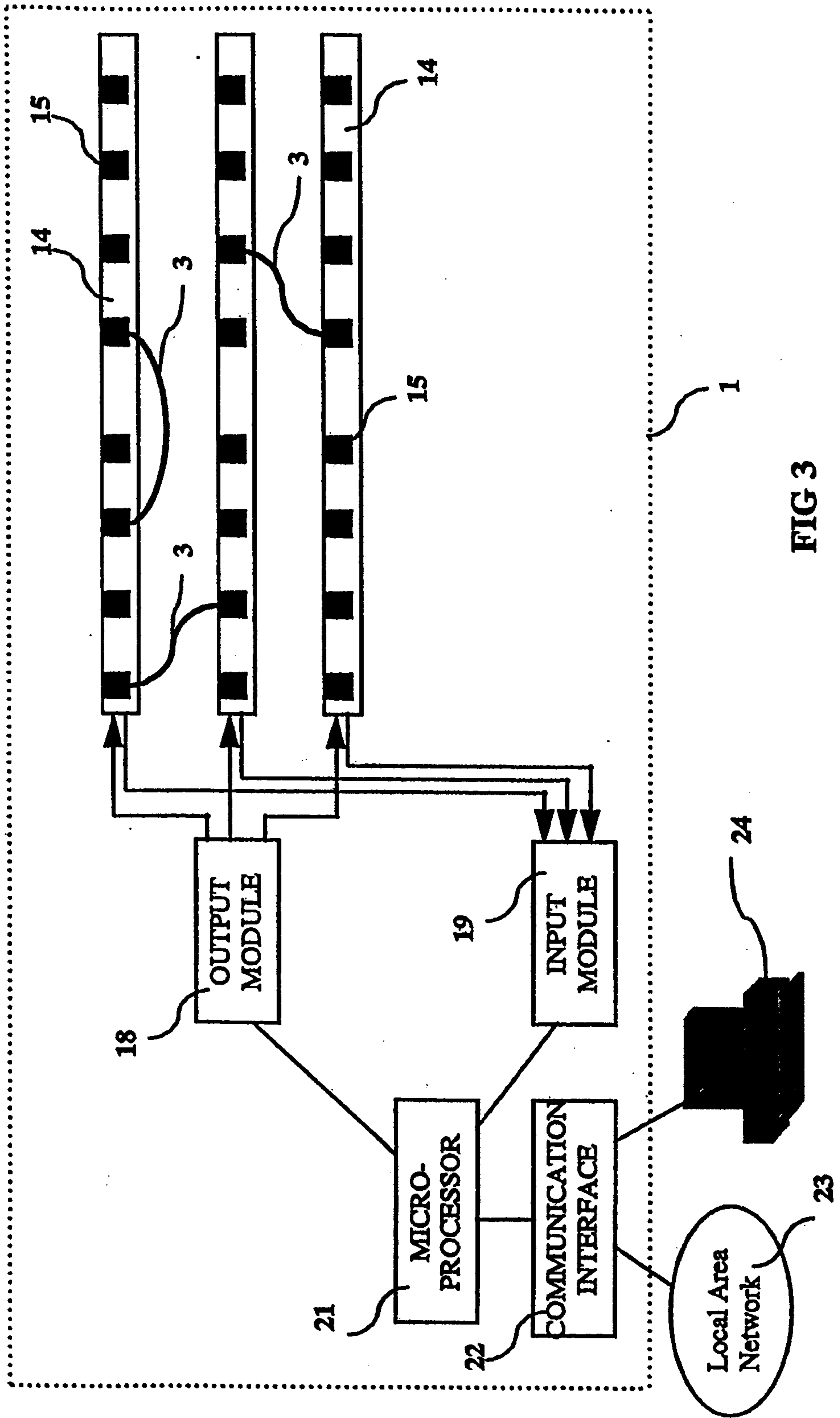
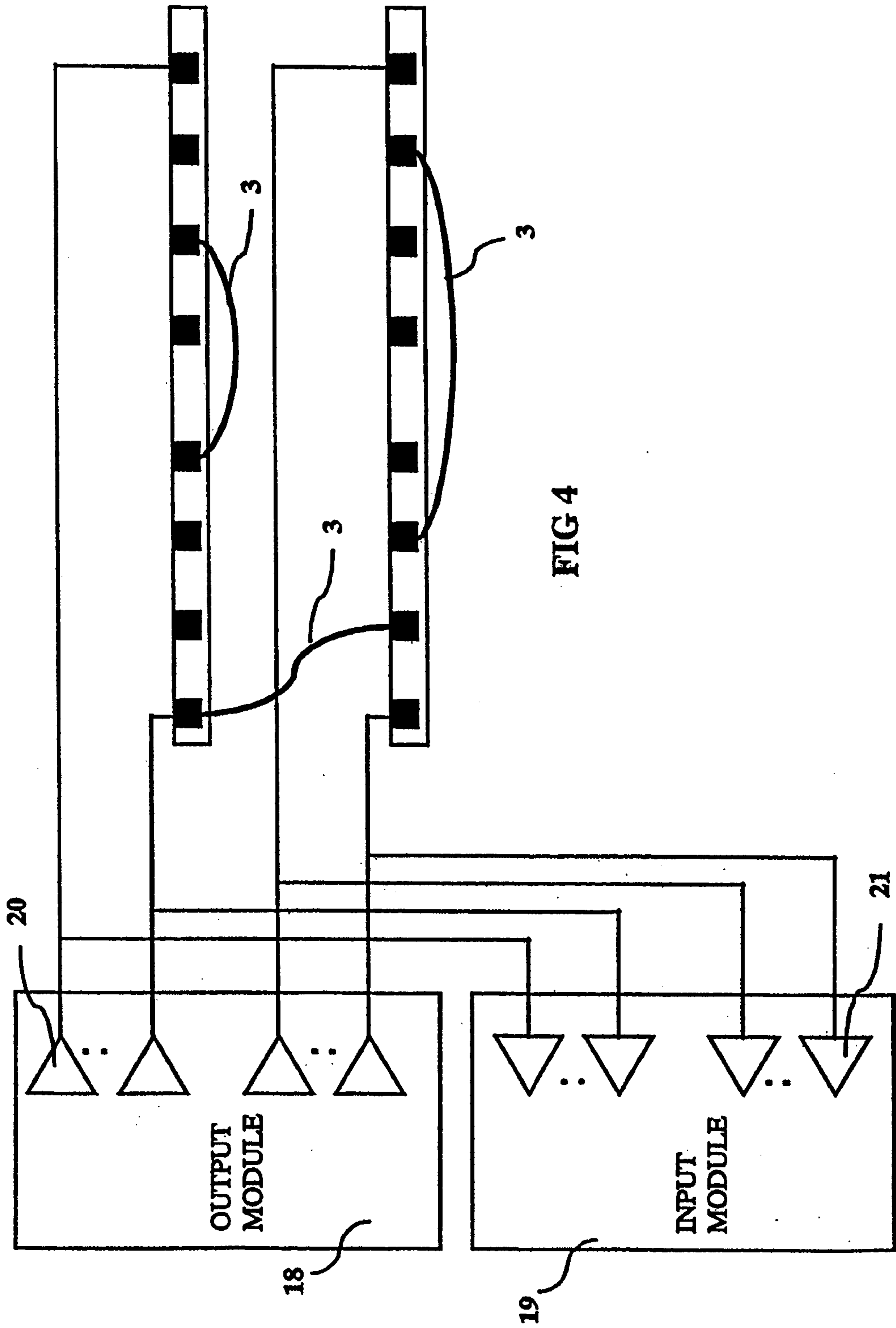
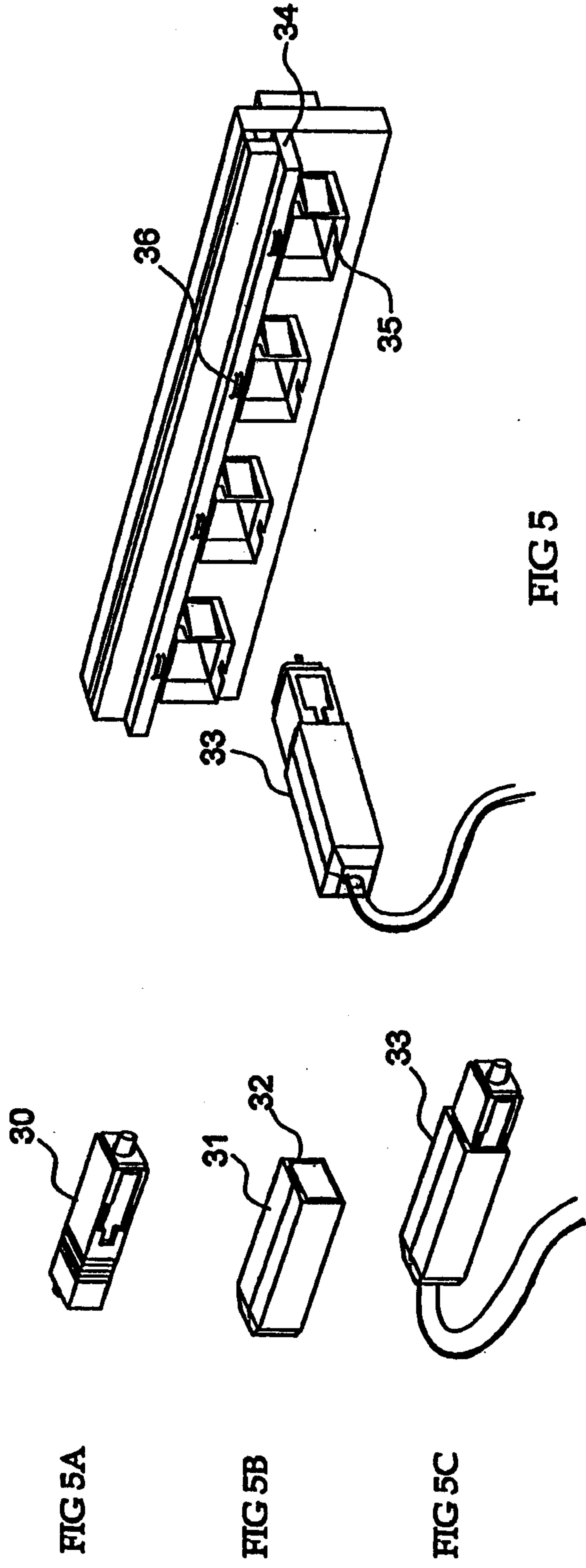


FIG 3





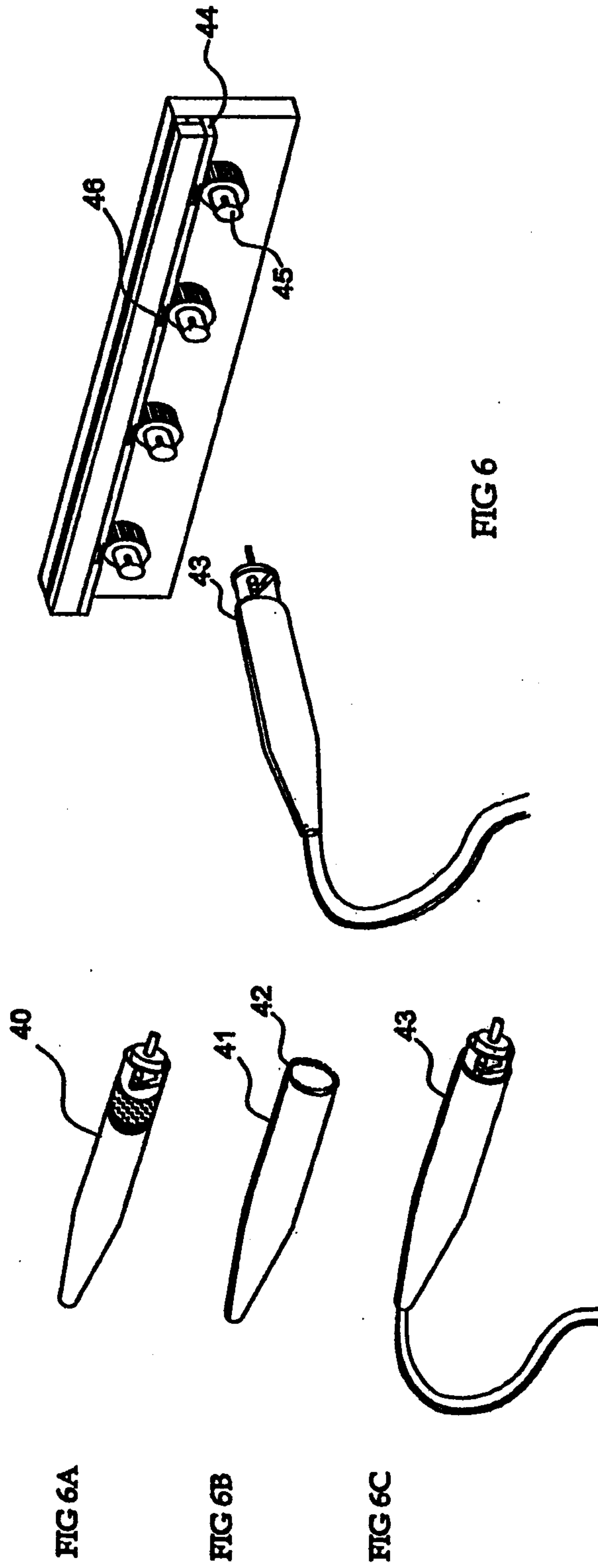


FIG 6A

FIG 6B

FIG 6C

FIG 6

7/14

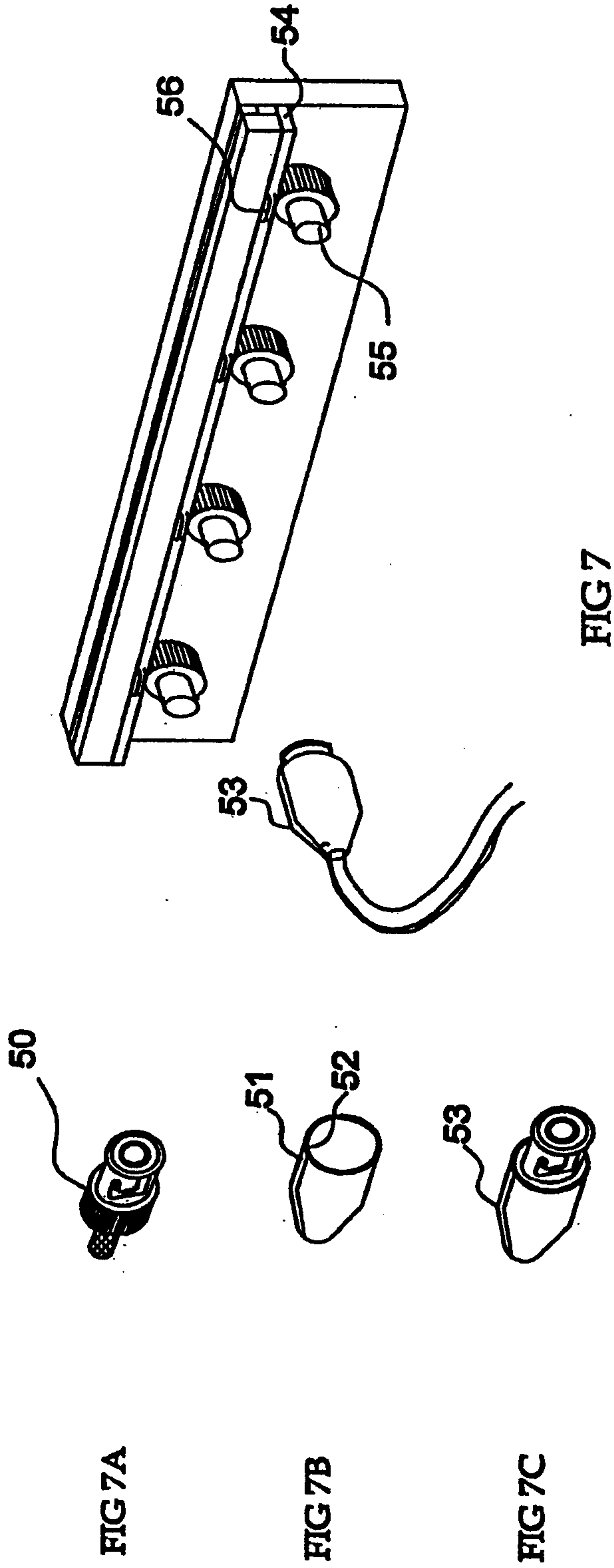


FIG 7A

FIG 7B

FIG 7C

FIG 7

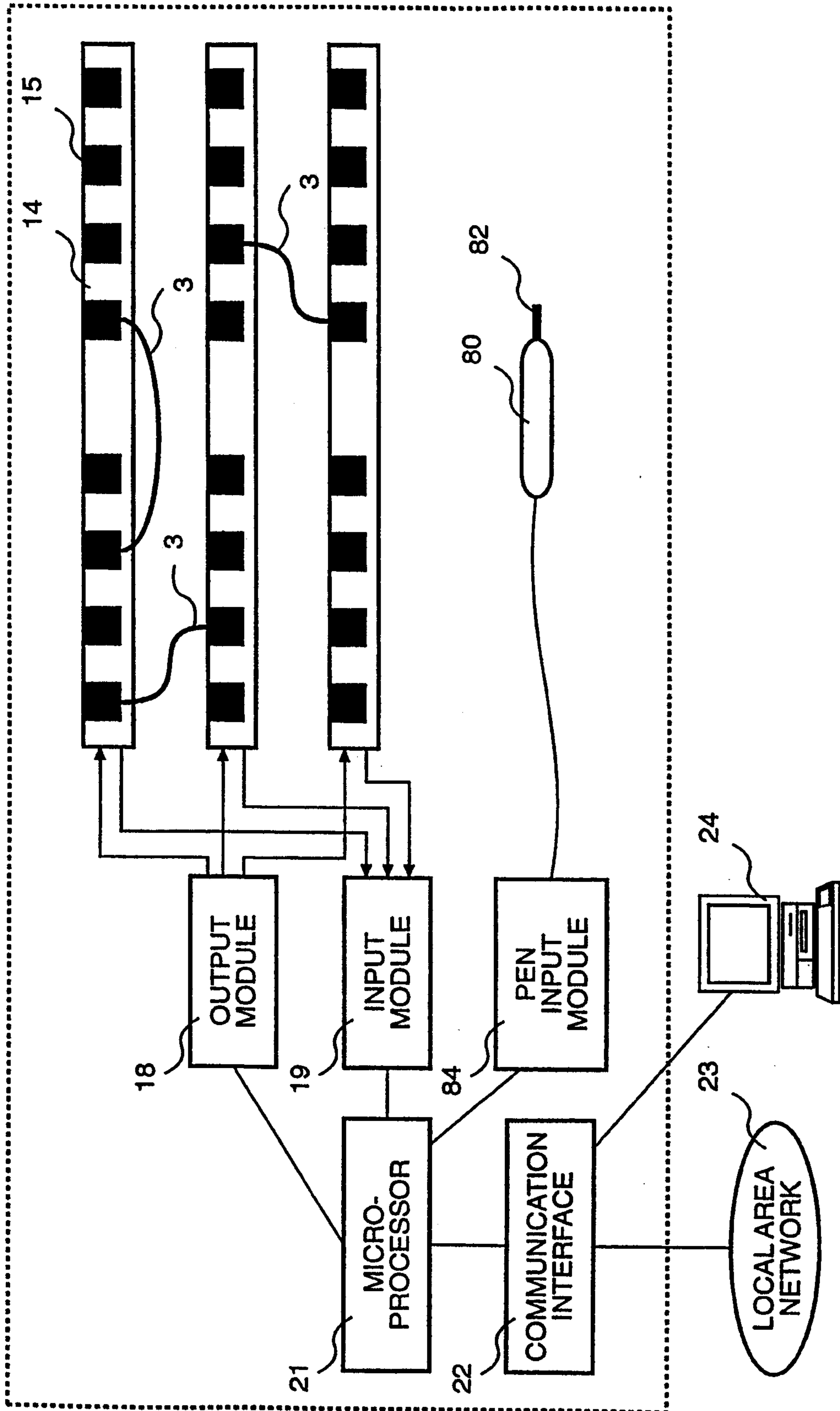


FIG. 8

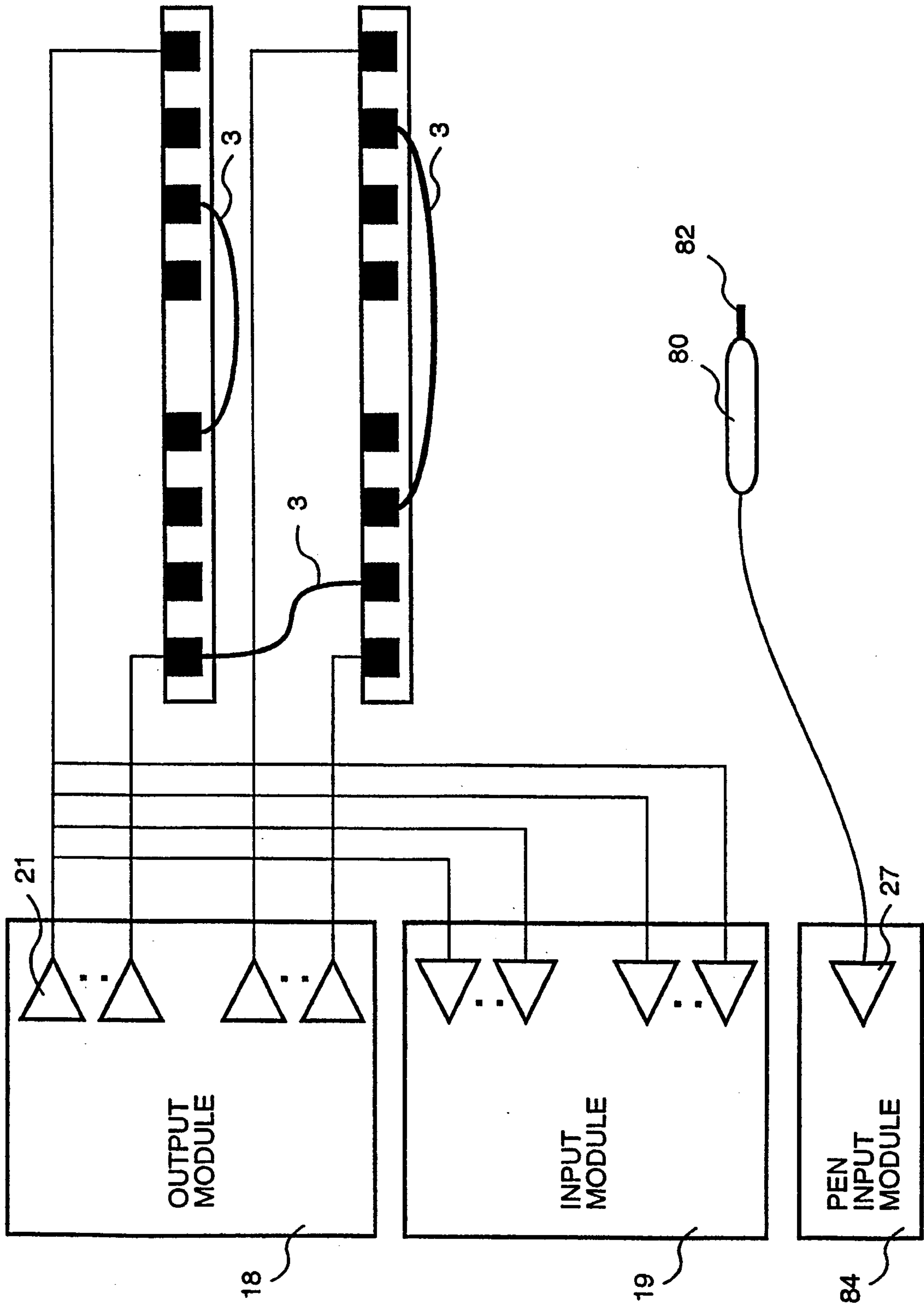


FIG. 9

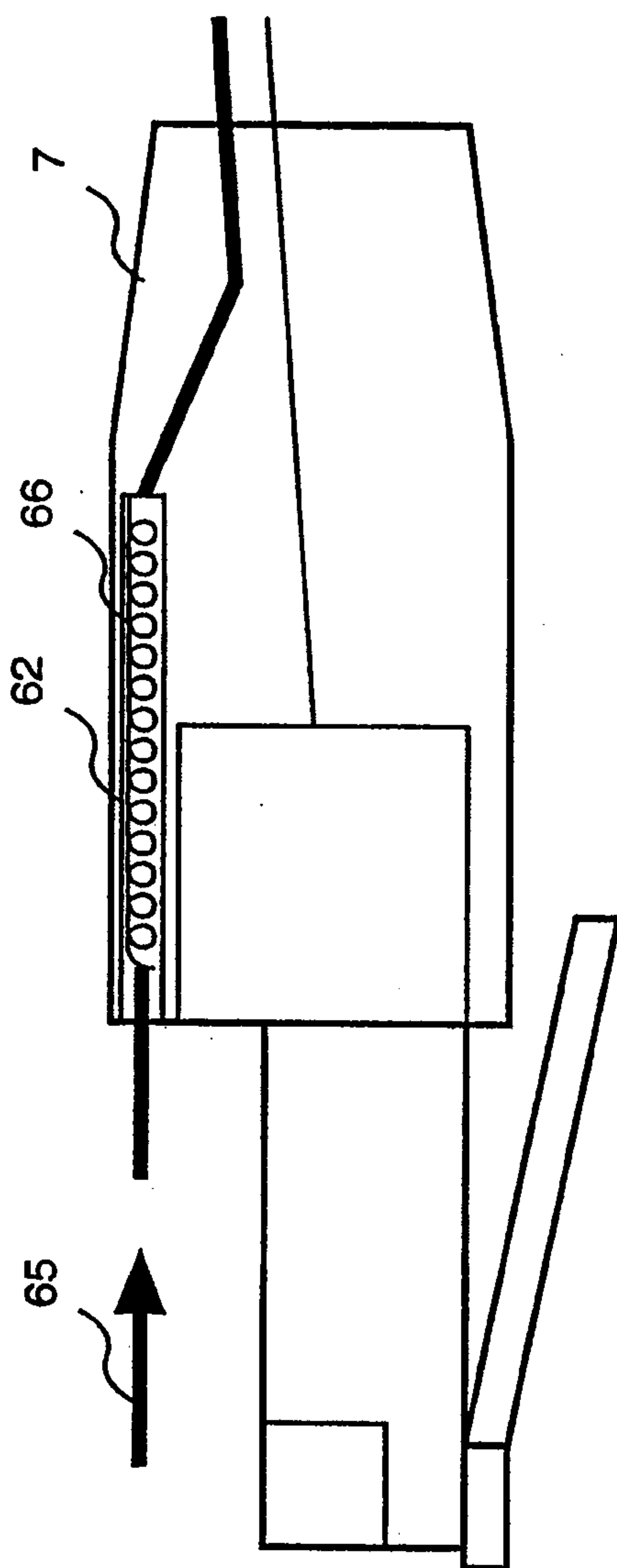


FIG. 10

11/14

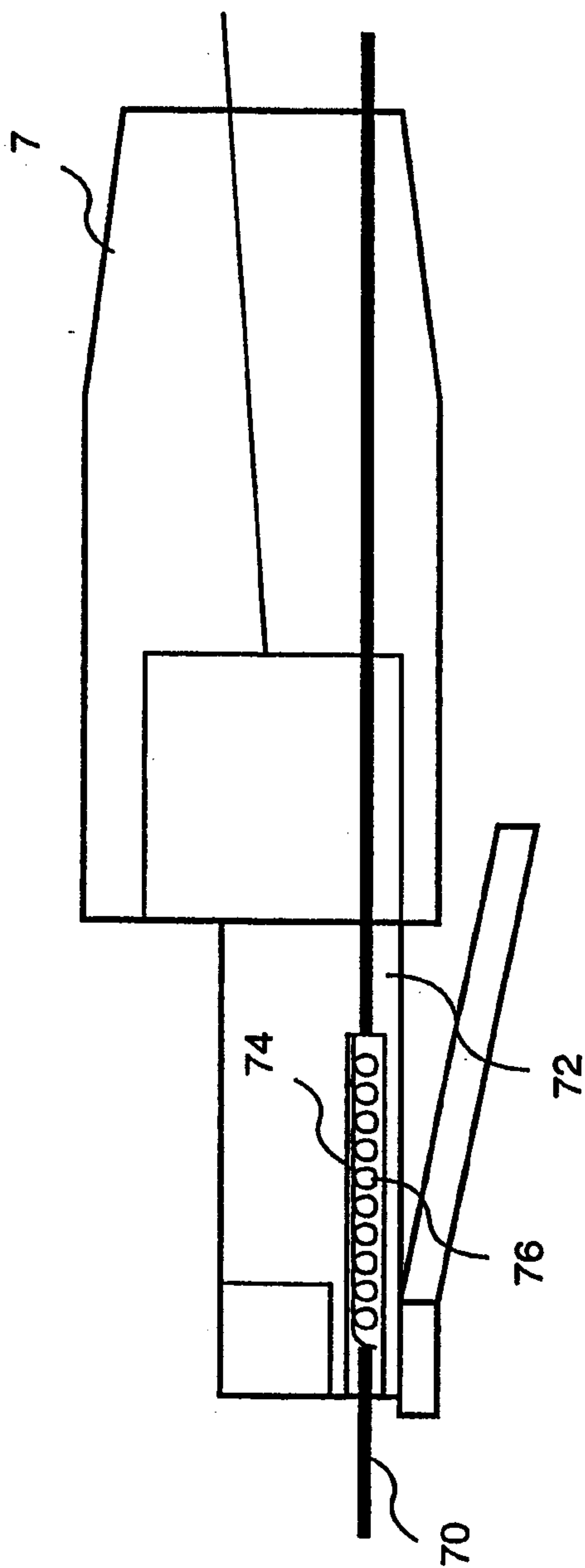


FIG. 11

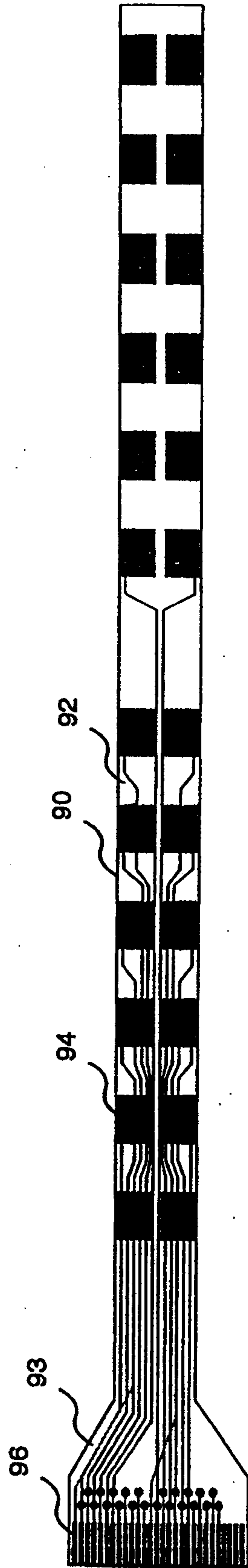


FIG. 12

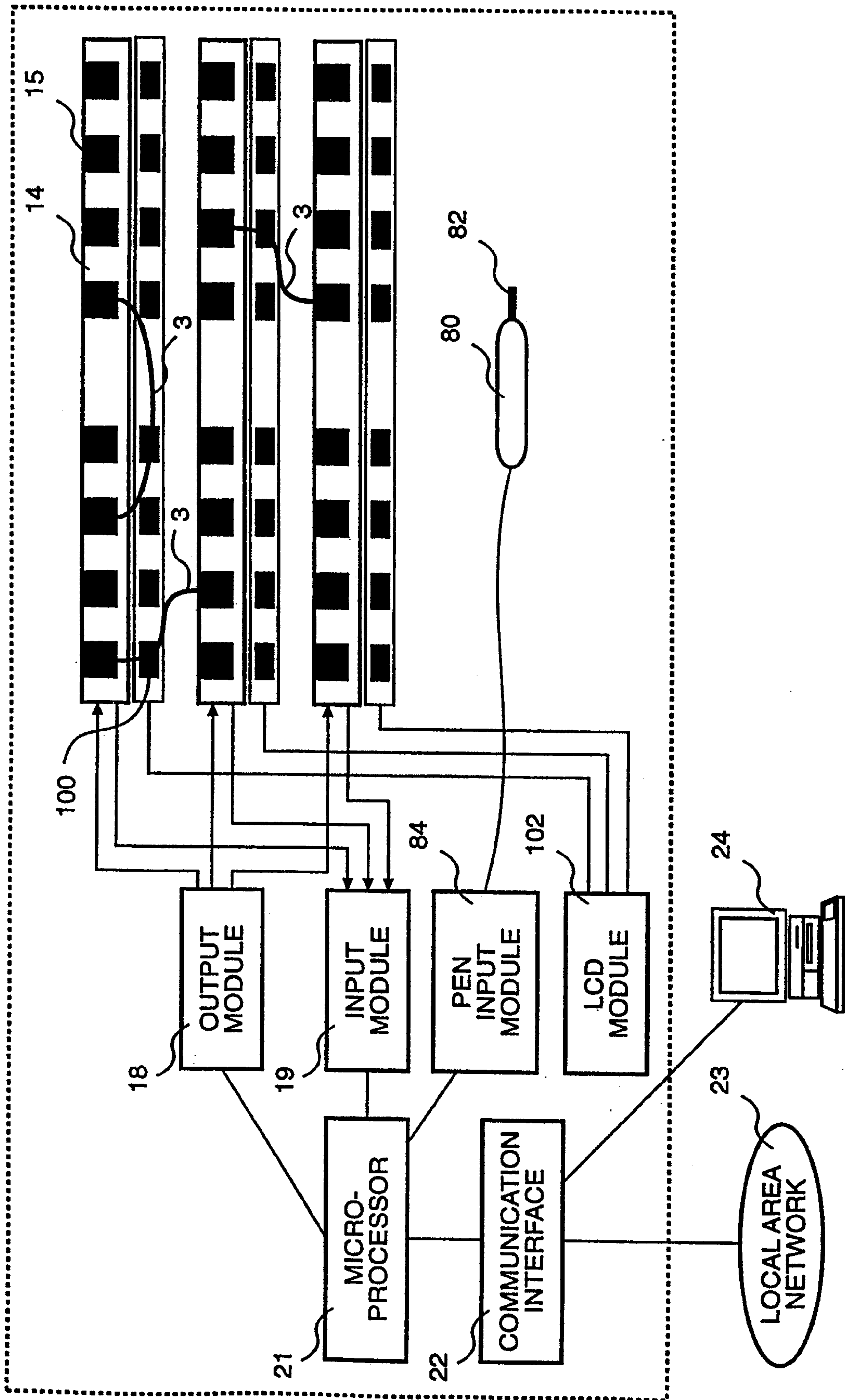


FIG. 13

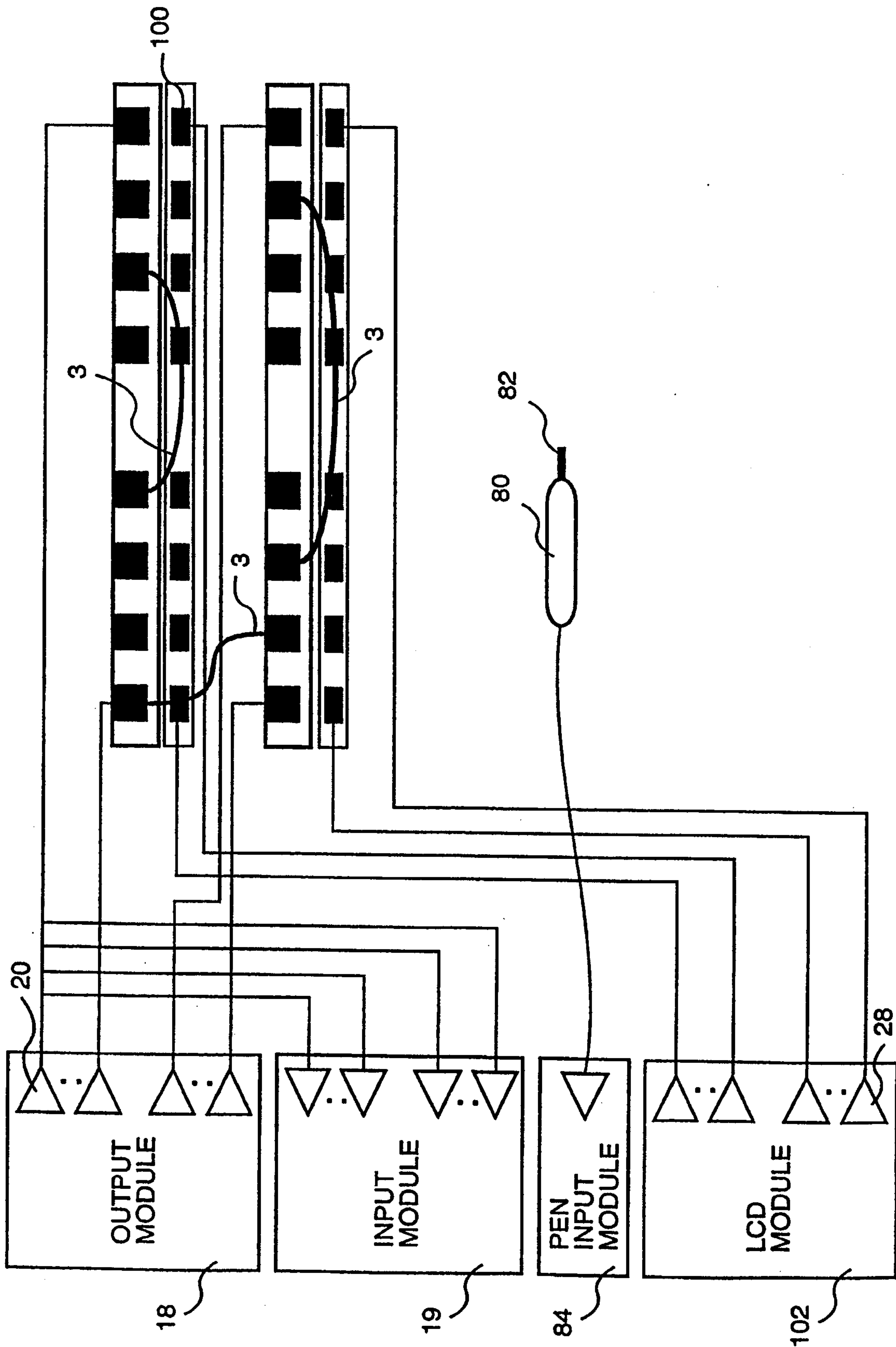


FIG. 14

