



US00D355280S

# United States Patent [19]

[11] Patent Number: Des. 355,280

Yoshioka

[45] Date of Patent: \*\* Feb. 7, 1995

- [54] ANIMAL FECES RETRIEVER
- [75] Inventor: **Mashayuki Yoshioka, Kanagawa, Japan**
- [73] Assignee: **Olive Corporation, Tokyo, Japan**
- [\*\*] Term: **14 Years**
- [21] Appl. No.: **4,313**
- [22] Filed: **Feb. 1, 1993**

2652102	3/1991	France	294/1.3
343832	1/1920	Germany	294/55
2512203	3/1975	Germany	294/1.3
3809286	9/1989	Germany	294/1.5
7713350	9/1979	Netherlands	294/1.5

[30] Foreign Application Priority Data

- Aug. 10, 1992 [JP] Japan ..... 4-23975
- [52] U.S. Cl. .... **D30/162; 294/1.5**
- [58] Field of Search ..... 294/1.3-1.5, 294/55; 209/417-419; D30/162; D8/10, 4; D7/691-692

Primary Examiner—Cathy Anne MacCormac  
Attorney, Agent, or Firm—Dann, Dorfman, Herrell and Skillman

[57] CLAIM

The ornamental design for an animal feces retriever, as shown and described.

DESCRIPTION

FIG. 1 is a front-left side perspective view of an animal feces retriever according to my new design; FIG. 2 is a front elevational view thereof; FIG. 3 is a rear elevational view thereof; FIG. 4 is a left side elevational view thereof; FIG. 5 is a right side elevational view thereof; FIG. 6 is a top plan view thereof; FIG. 7 is a bottom plan view thereof; FIG. 8 is a front-left side perspective view of the animal feces retriever in use; FIG. 9 is a front-left side perspective view of a second embodiment of my new design; FIG. 10 is a front elevational view thereof; FIG. 11 is a rear elevational view thereof; FIG. 12 is a left side elevational view thereof; FIG. 13 is a right side elevational view thereof; FIG. 14 is a top plan view thereof; FIG. 15 is a bottom plan view thereof; and, FIG. 16 is a front-left side perspective view of the second embodiment in use.

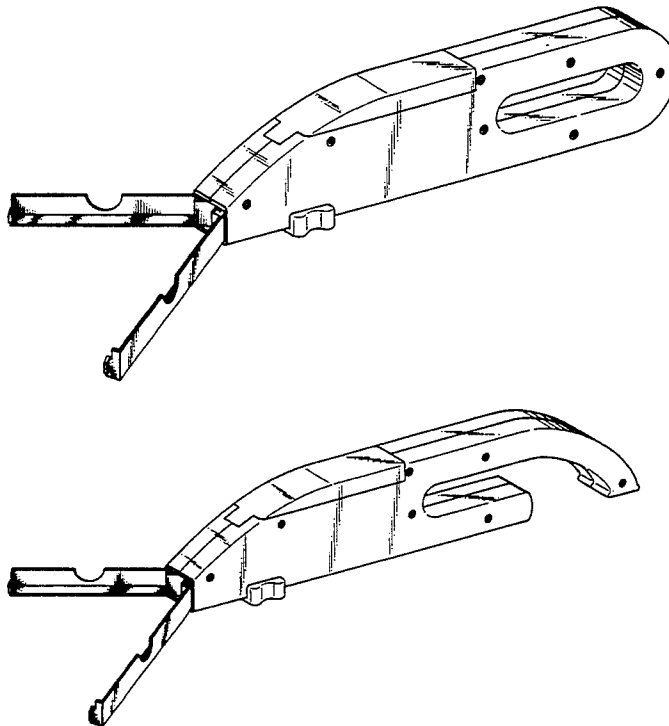
[56] References Cited

U.S. PATENT DOCUMENTS

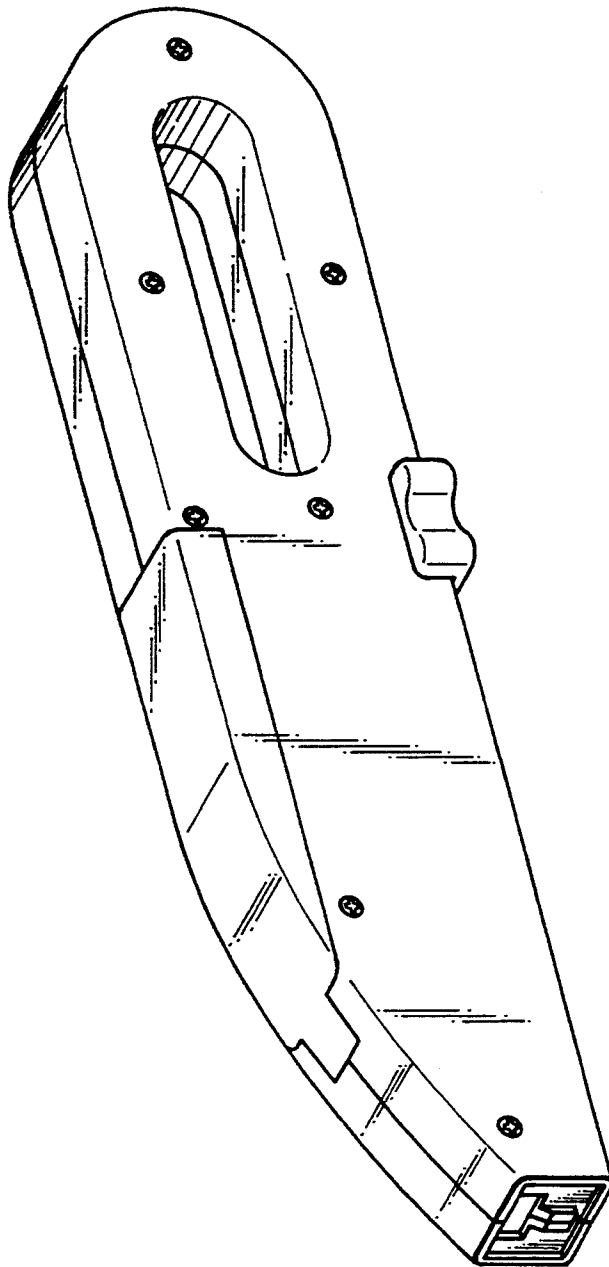
D. 333,952	3/1993	Wolf	D30/162
4,021,994	5/1977	Mainprice	294/1.4
4,335,678	6/1982	Garza et al.	294/1.5
4,398,759	8/1983	Manola	294/1.4
4,466,647	8/1984	Spevak	294/1.5
4,717,186	1/1988	Yoshioka	294/1.5
4,878,703	11/1989	Yoshioka	294/1.5
4,900,077	2/1990	Beck	294/1.3
4,995,661	2/1991	Aurness et al.	294/1.4
5,056,842	10/1991	Lindenberg et al.	294/1.4
5,193,870	3/1993	MacInnis et al.	294/1.4
5,203,598	4/1993	Lindlbauer	294/1.4

FOREIGN PATENT DOCUMENTS

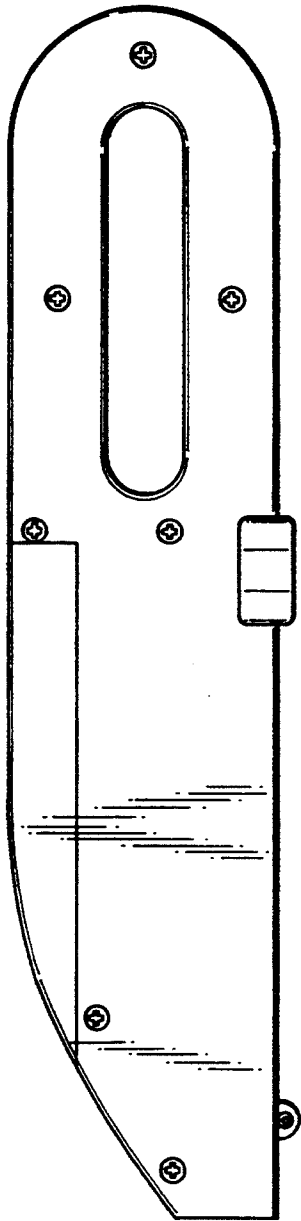
2401275	4/1979	France	294/1.4
---------	--------	--------	---------



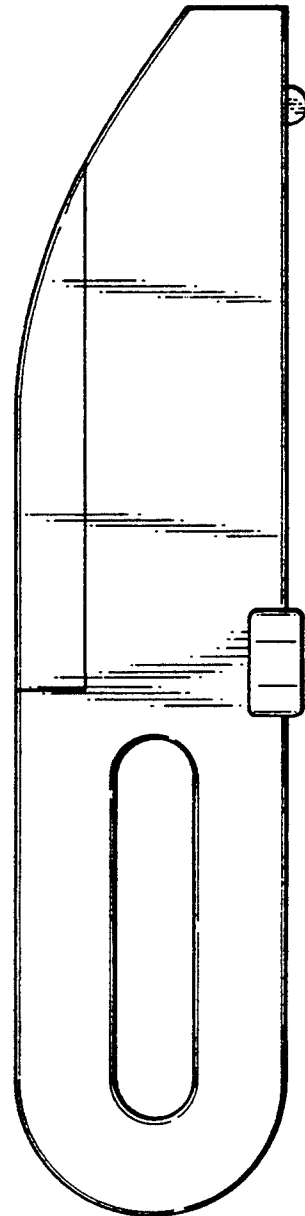
**FIG.1**



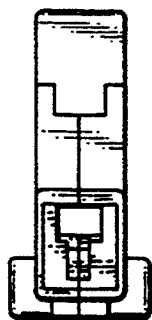
**FIG.2**



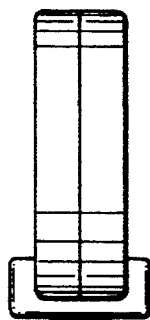
**FIG.3**



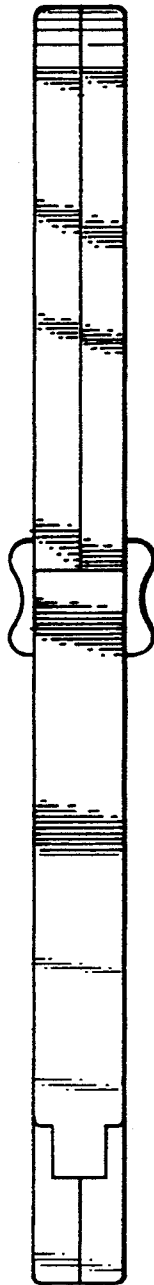
**FIG.4**



**FIG.5**



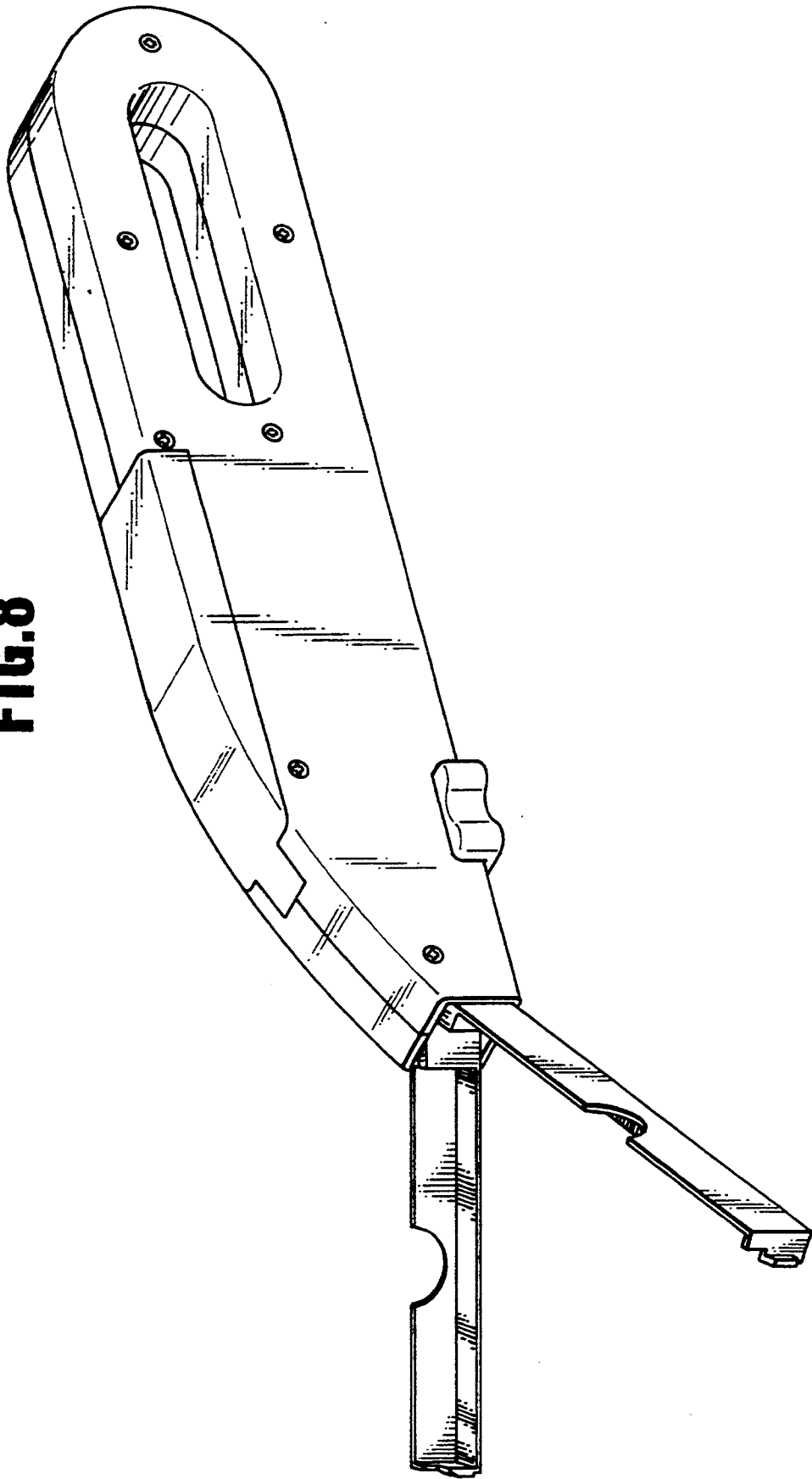
**FIG.6**



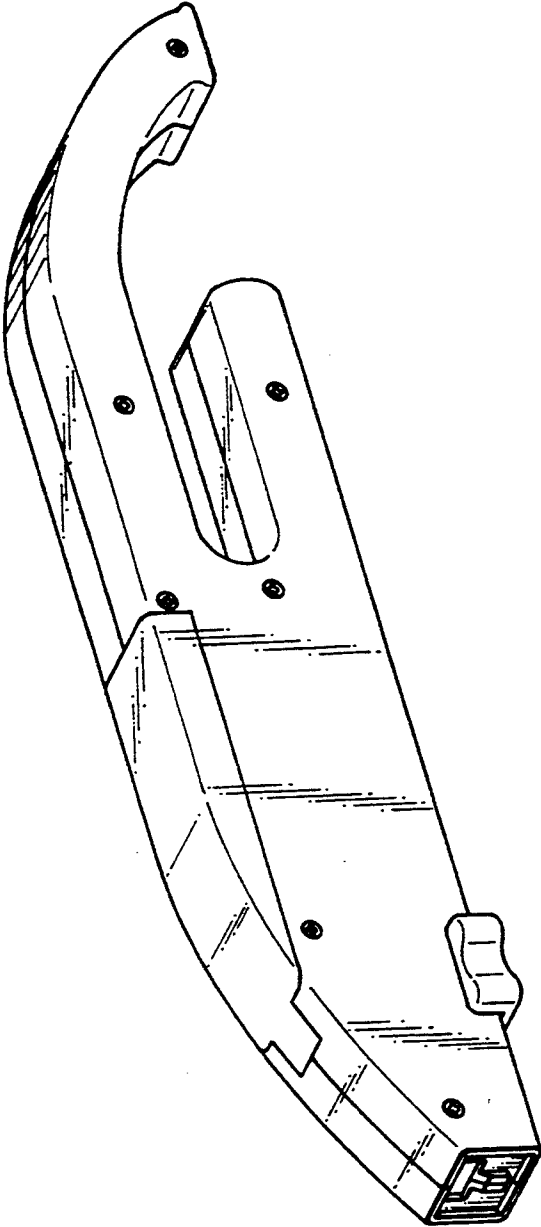
**FIG.7**



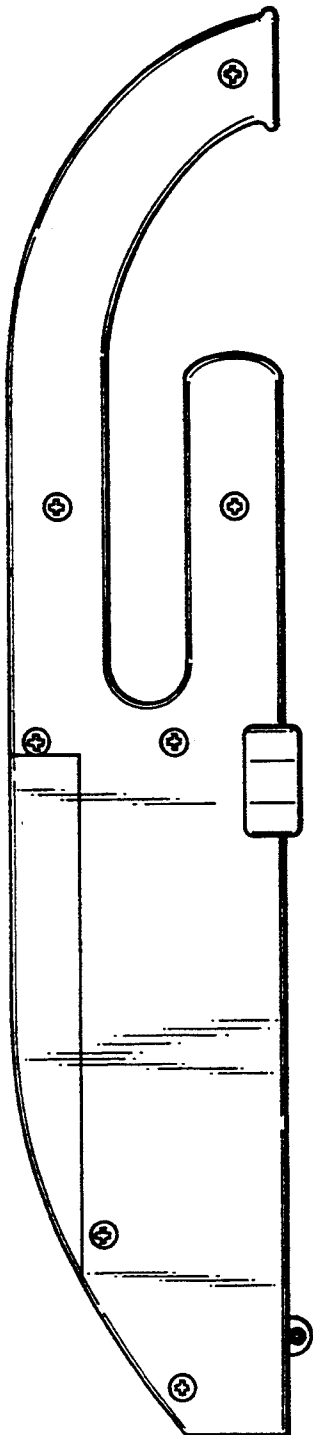
**FIG. 8**



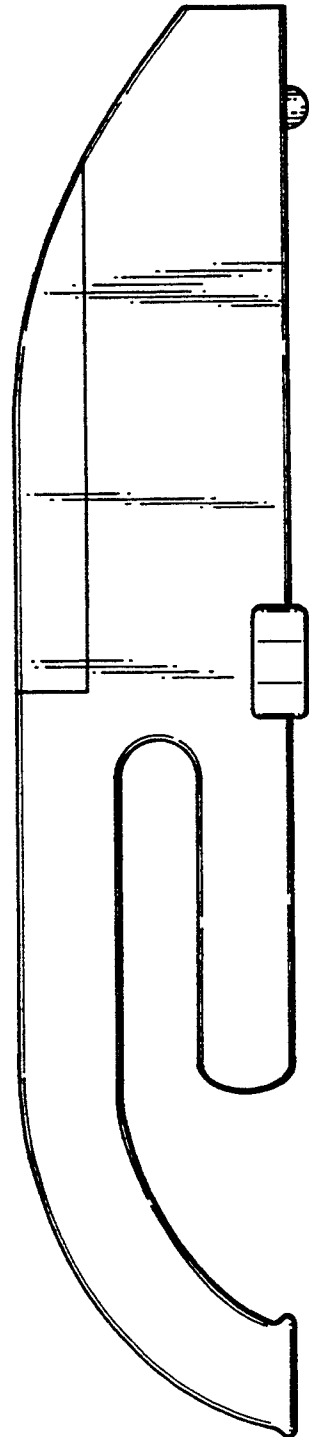
**FIG. 9**



**FIG.10**

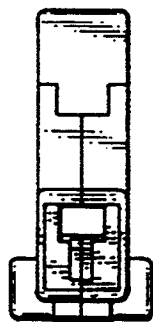


**FIG.11**

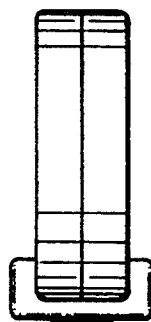




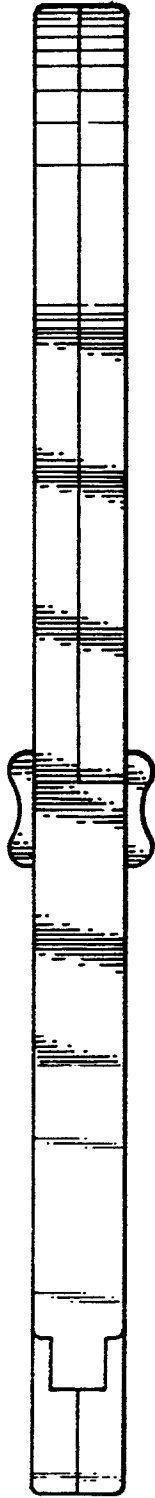
**FIG.12**



**FIG.13**



**FIG.14**



**FIG.15**



**FIG.16**

