

[54] FRONT COVER FOR A FISHING REEL

[75] Inventor: Edwin B. Hatch, West Bend, Wis.

[73] Assignee: Brunswick Corporation, Skokie, Ill.

[**] Term: 14 Years

[21] Appl. No.: 505,471

[22] Filed: Jun. 22, 1983

[52] U.S. Cl. D22/25

[58] Field of Search D22/25; 242/84.1 R, 242/84.1 A, 84.2 R, 84.2 A, 84.2 F, 84.21 A, 84.4

[56] References Cited

U.S. PATENT DOCUMENTS

D. 226,850	5/1973	Hull	D22/25
3,296,731	1/1967	Wood	242/84.21 A
4,331,303	5/1982	Moss	D22/25 X

Primary Examiner—A. Hugo Word
Attorney, Agent, or Firm—Wood, Dalton, Phillips, Mason & Rowe

[57] CLAIM

The ornamental design for a front cover for a fishing reel, as shown and described.

DESCRIPTION

FIG. 1 is a perspective view of a front cover for a fishing reel showing my new design; FIG. 2 is a front elevation view thereof; FIG. 3 is a top plan view thereof; FIG. 4 is a side elevation view thereof; FIG. 5 is a back elevation view thereof; FIG. 6 is a bottom plan view thereof; and, FIG. 7 is a side elevation view opposite to the view shown in FIG. 4.

The rear housing of a fishing reel is shown in broken lines for illustrative purposes only and forms no part of the claimed design.

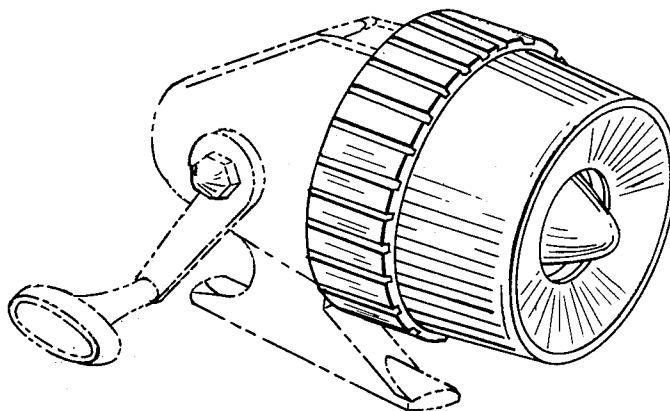


FIG. 1

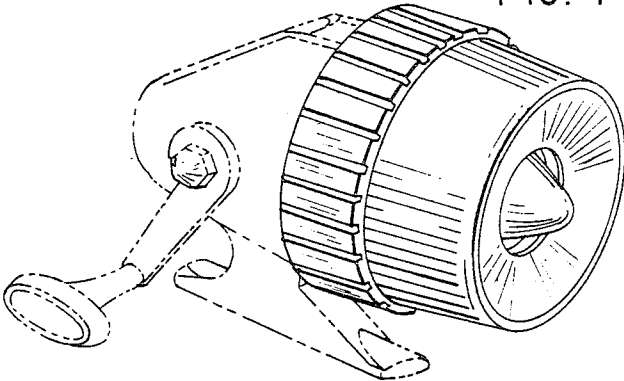


FIG. 2

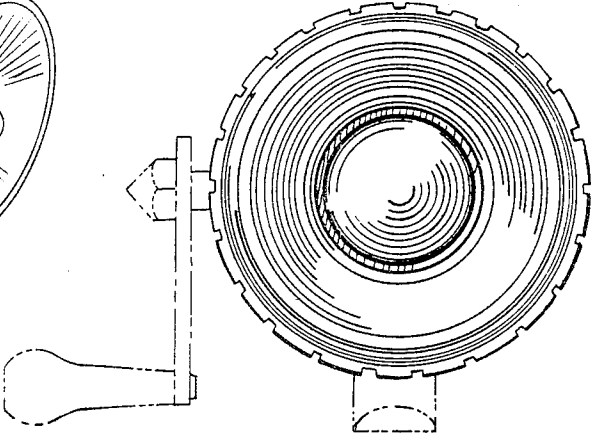


FIG. 3

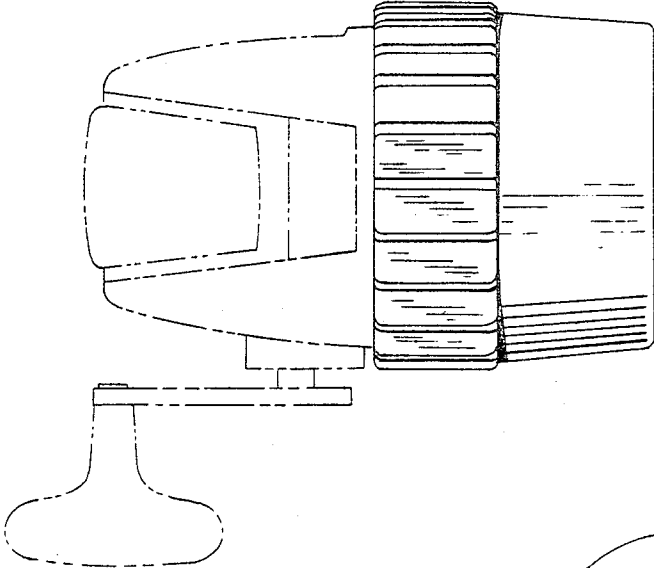


FIG. 4

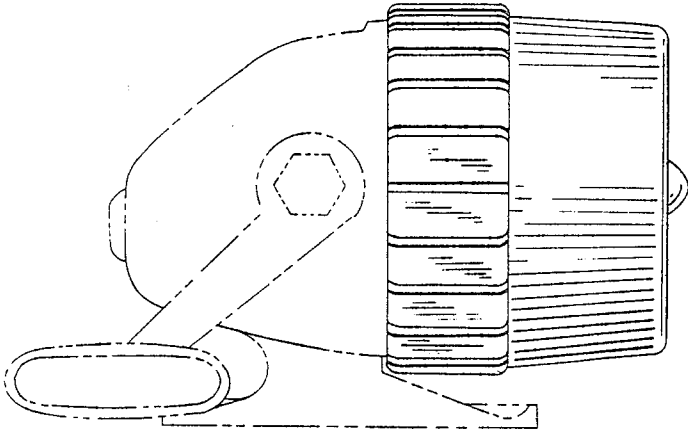


FIG. 5

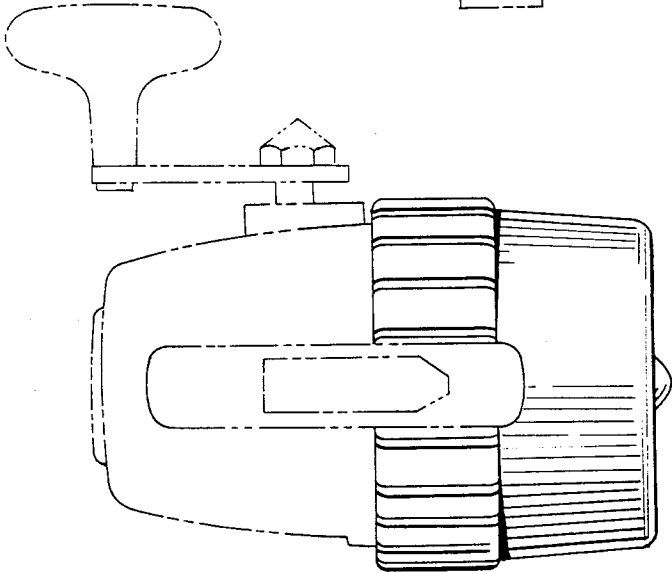
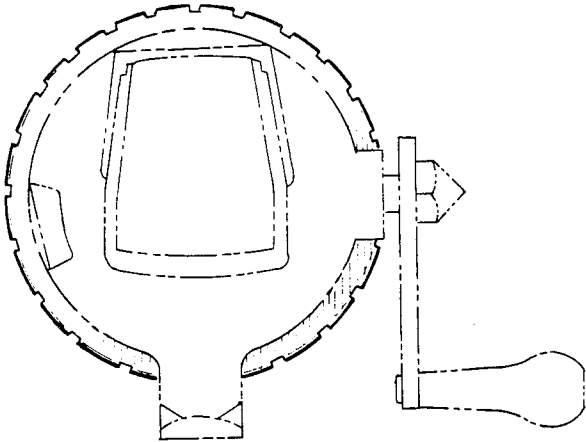


FIG. 6

FIG. 7

