



US00D425752S

# United States Patent [19]

[11] Patent Number: Des. 425,752

Ethridge

[45] Date of Patent: \*\* May 30, 2000

[54] **BBQ GRILL WITH STEER MOTIF**

D. 263,440	3/1982	Feild	.....	D7/332
D. 360,661	7/1995	Wist	.....	D21/610
D. 370,823	6/1996	Traeger et al.	.....	D7/332
D. 378,839	4/1997	Stephensen et al.	.....	D21/610
D. 385,595	10/1997	Stephensen et al.	.....	D21/610

[76] Inventor: **James Richard Ethridge, 27355 Glenmeadows Dr., Lake Forest, Calif. 92630**

[\*\*] Term: **14 Years**

*Primary Examiner*—Ruth McInroy  
*Attorney, Agent, or Firm*—Edgar W. Averill, Jr.

[21] Appl. No.: **29/099,932**

### [57] CLAIM

[22] Filed: **Feb. 1, 1999**

The ornamental design for BBQ grill with steer motif, as shown and described.

[51] **LOC (7) Cl.** ..... **07-02**

[52] **U.S. Cl.** ..... **D7/402; D7/332**

[58] **Field of Search** ..... D7/332-337, 402; D21/610, 654, 708, 712, 714, 533, 548, 549, 580; D11/157-158, 163; 126/25 R, 25 A, 25 AA, 29-30, 9 R, 39 R; 99/419, 421 R; 446/268, 431, 465, 470

### DESCRIPTION

FIG. 1 is a BBQ grill with a steer motif showing my new design;  
FIG. 2 is a backside thereof;  
FIG. 3 is a left side view thereof with the cover open;  
FIG. 4 is a left side view thereof with the cover closed;  
FIG. 5 is a right side view thereof;  
FIG. 6 is a bottom view thereof; and,  
FIG. 7 is a top view thereof.

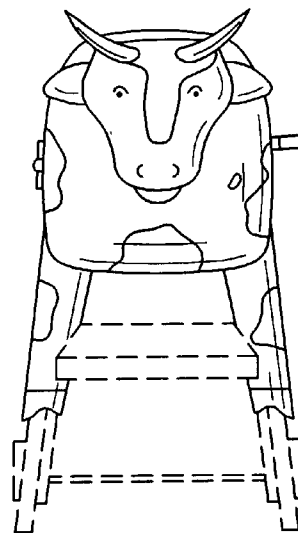
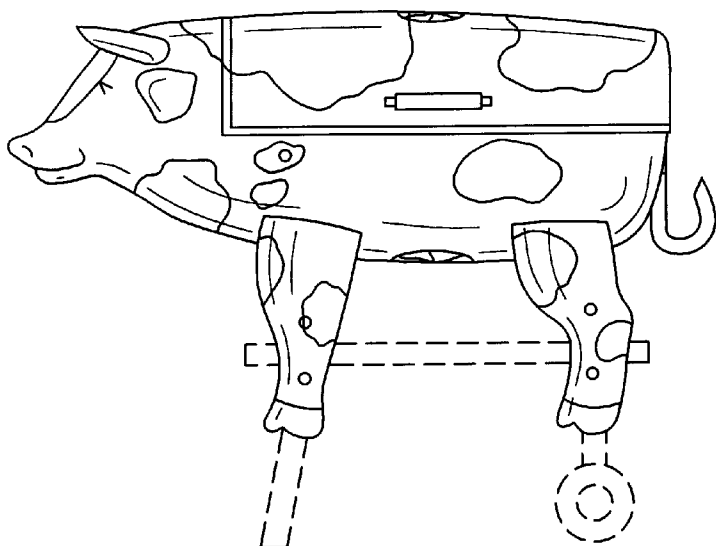
### [56] References Cited

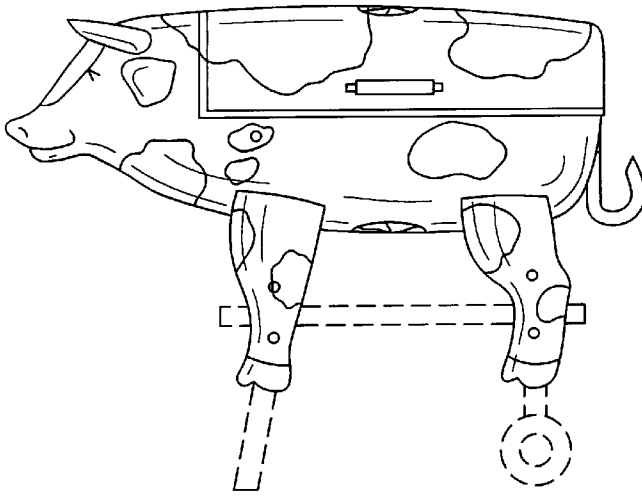
#### U.S. PATENT DOCUMENTS

D. 83,947	4/1931	Bobritsky	.....	D21/610
D. 136,262	8/1943	Oehrle	.....	D21/610
D. 166,395	4/1952	Hollis	.....	D21/610
D. 246,545	11/1977	Miller	.....	D21/610
D. 259,033	4/1981	Haren	.....	D11/158

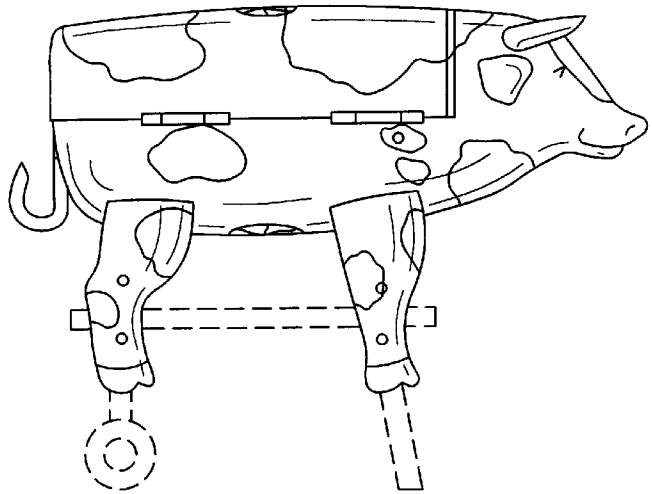
The portions shown in broken lines in FIG. 1-5 are for illustrative purposes only and form no part of the claimed design.

**1 Claim, 2 Drawing Sheets**

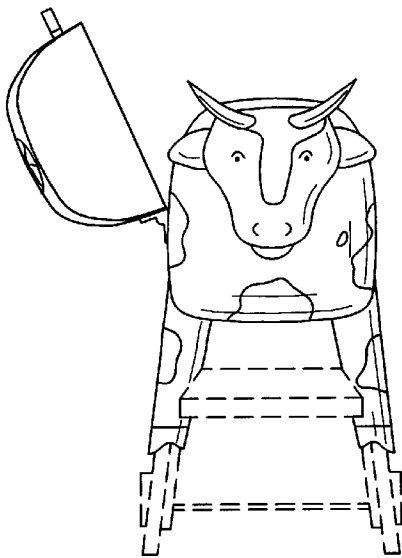




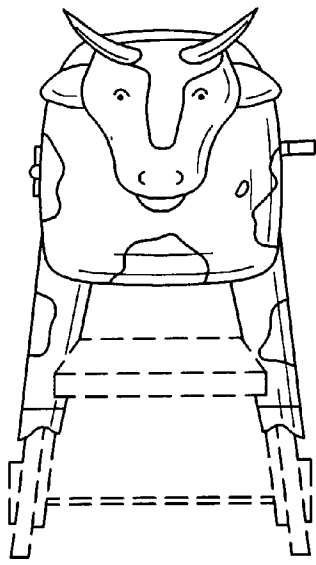
*FIG. 1*



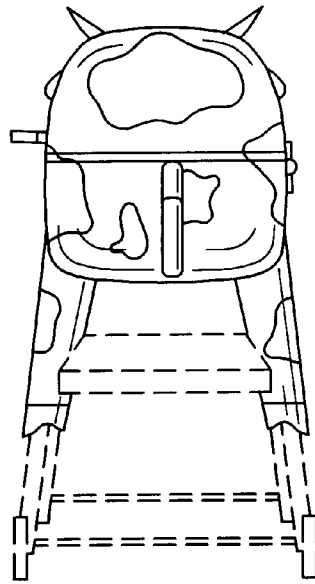
*FIG. 2*



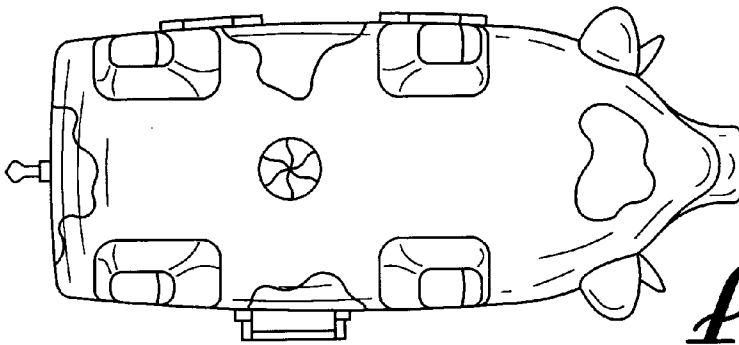
*FIG. 3*



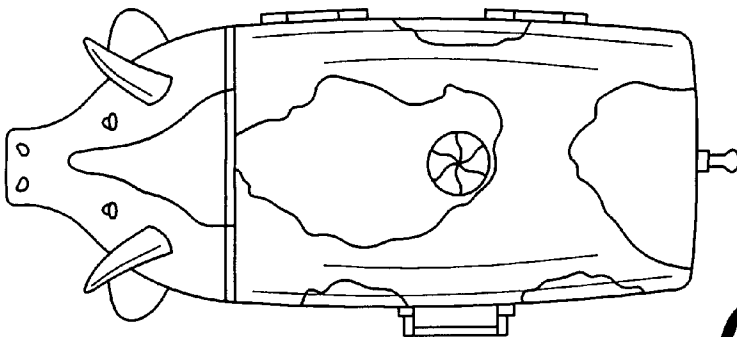
*FIG. 4*



*FIG. 5*



*FIG. 6*



*FIG. 7*