



US00D713430S

(12) **United States Design Patent**
Jeon et al.

(10) **Patent No.:** **US D713,430 S**

(45) **Date of Patent:** **** Sep. 16, 2014**

(54) **REFRIGERATOR**

(71) Applicant: **Samsung Electronics Co., Ltd.**,
Suwon-si (KR)

(72) Inventors: **Sang-Woon Jeon**, Namyangju-si (KR);
Min-Hyung Boo, Seoul (KR);
Jae-Moon Lee, Seoul (KR)

(73) Assignee: **Samsung Electronics Co., Ltd.** (KR)

(**) Term: **14 Years**

(21) Appl. No.: **29/459,758**

(22) Filed: **Jul. 3, 2013**

(30) **Foreign Application Priority Data**

Jan. 11, 2013 (KR) 30-2013-0001817

(51) **LOC (10) CI.** **15-07**

(52) **U.S. CI.**
USPC **D15/89**

(58) **Field of Classification Search**
USPC D15/79-89, 91; 312/236, 352,
312/400-408, 112-119; 62/3.1-3.64, 293,
62/371, 400, 467, 529, 531
See application file for complete search history.

(56) **References Cited**

U.S. PATENT DOCUMENTS

D326,461	S	*	5/1992	Nakao et al.	D15/86
D410,013	S	*	5/1999	Takasago et al.	D15/86
D540,832	S	*	4/2007	Wang et al.	D15/86
D568,910	S	*	5/2008	Seo et al.	D15/87
D569,398	S	*	5/2008	Seo et al.	D15/87
D578,555	S	*	10/2008	Yeo et al.	D15/85
D594,886	S	*	6/2009	Wang et al.	D15/86
D613,778	S	*	4/2010	Kristiansen et al.	D15/86
D614,209	S	*	4/2010	Kristiansen et al.	D15/86
D615,109	S	*	5/2010	Yang et al.	D15/86

D616,000	S	*	5/2010	Yang et al.	D15/86
D616,001	S	*	5/2010	Yang et al.	D15/86
D625,342	S	*	10/2010	Seo et al.	D15/85
D632,708	S	*	2/2011	Seo et al.	D15/86
D633,114	S	*	2/2011	Seo et al.	D15/86
D641,384	S	*	7/2011	Yang et al.	D15/86
D647,544	S	*	10/2011	Kristiansen et al.	D15/86
D658,213	S	*	4/2012	Seo et al.	D15/86
D658,214	S	*	4/2012	Seo et al.	D15/86
D660,325	S	*	5/2012	Yang et al.	D15/86
D666,635	S	*	9/2012	Jidam et al.	D15/86
D671,964	S	*	12/2012	Hong et al.	D15/86
D671,965	S	*	12/2012	Shim	D15/86
D671,966	S	*	12/2012	Jidam et al.	D15/86
D674,417	S	*	1/2013	Seo et al.	D15/86
D674,823	S	*	1/2013	Jidam et al.	D15/86
D676,467	S	*	2/2013	Kim	D15/86
D684,199	S	*	6/2013	Jeon	D15/86
D686,644	S	*	7/2013	Lee et al.	D15/86

(Continued)

Primary Examiner — Mitchell Siegel

(74) *Attorney, Agent, or Firm* — Cantor Colburn LLP

(57) **CLAIM**

The ornamental design for a refrigerator, as shown and described.

DESCRIPTION

FIG. 1 is a perspective view of a refrigerator showing our new design;

FIG. 2 is a front view thereof;

FIG. 3 is a rear view thereof;

FIG. 4 is a left side view thereof;

FIG. 5 is a right side view thereof;

FIG. 6 is a top plan view thereof;

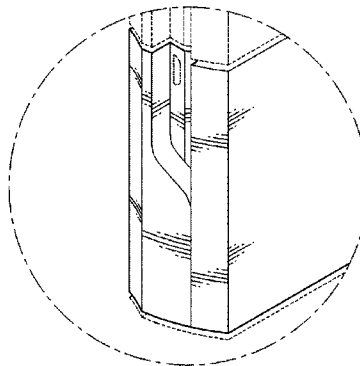
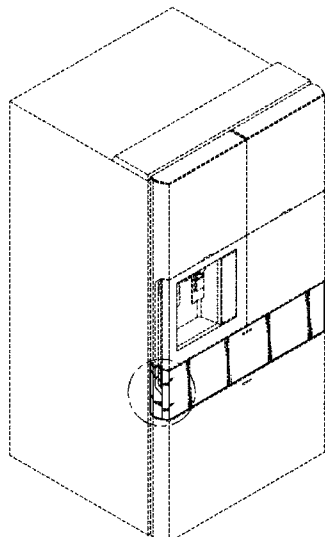
FIG. 7 is a bottom plan view thereof;

FIG. 8 is another perspective view thereof in an alternative position of use; and,

FIG. 9 is an enlarged perspective view for a portion thereof.

The broken lines are shown for disclosure or illustrative purposes and form no part of the claimed design.

1 Claim, 8 Drawing Sheets



US D713,430 S

Page 2

(56)

References Cited

U.S. PATENT DOCUMENTS

D690,329 S *	9/2013	Seo et al.	D15/86	
D692,929 S *	11/2013	Seo et al.	D15/86	* cited by examiner
D696,305 S *	12/2013	Kim	D15/86	
D698,374 S *	1/2014	Jeon et al.	D15/86	
D702,739 S *	4/2014	Kim	D15/86	

FIG. 1

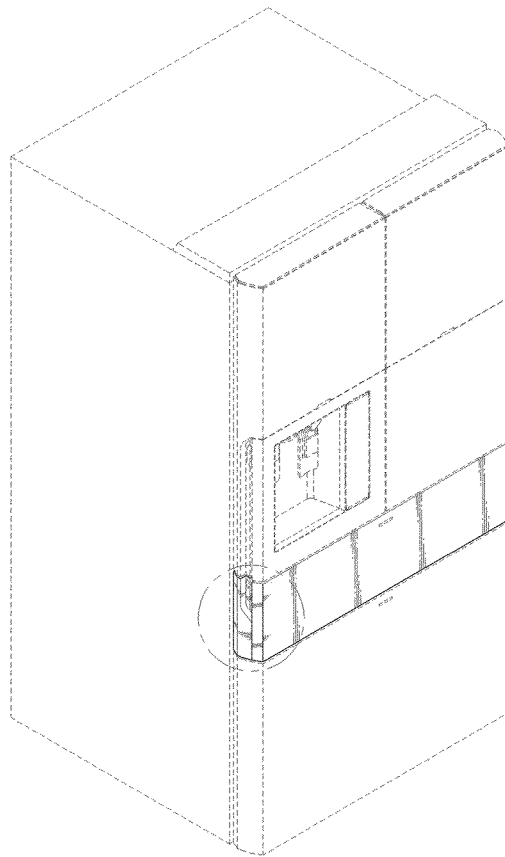


FIG. 2

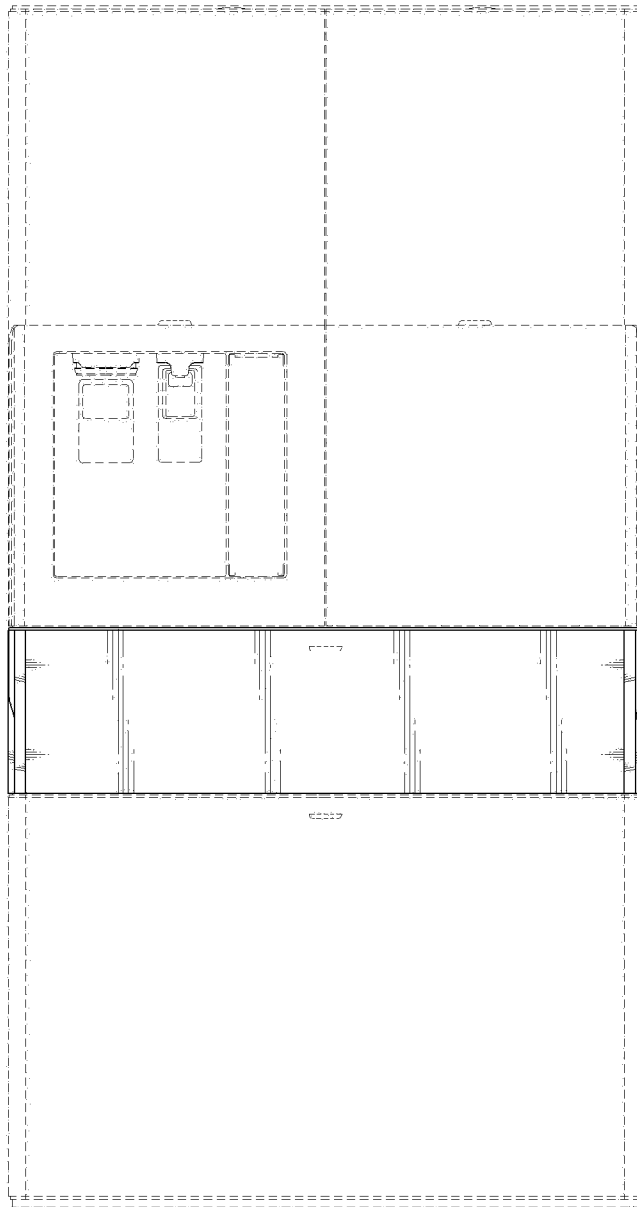


FIG. 3

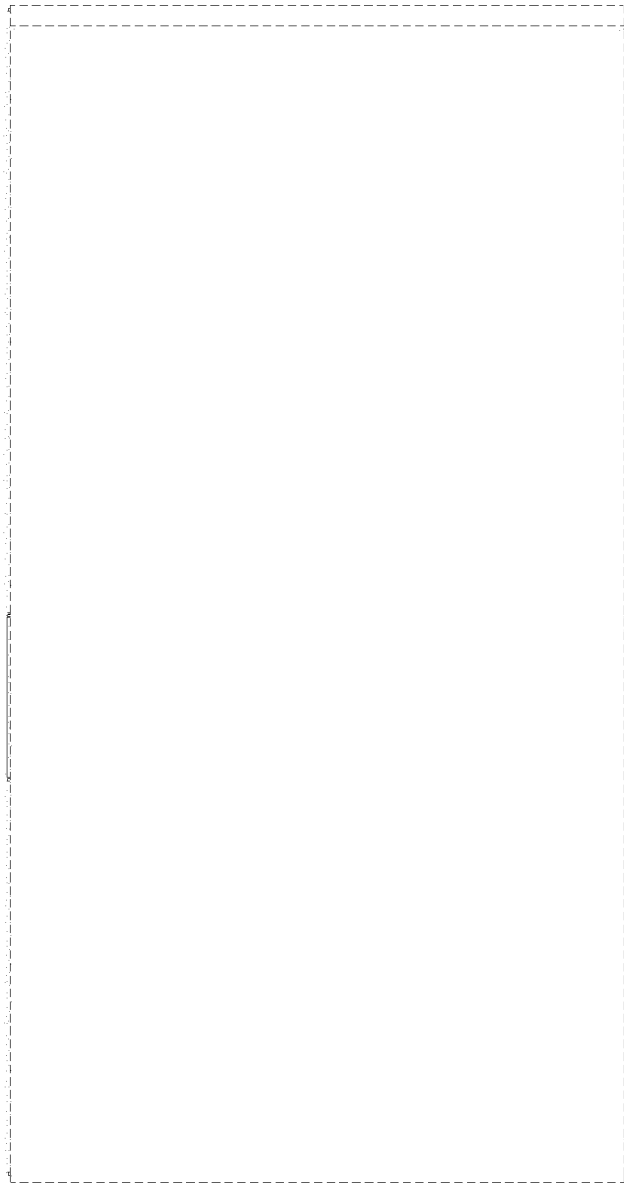


FIG. 4

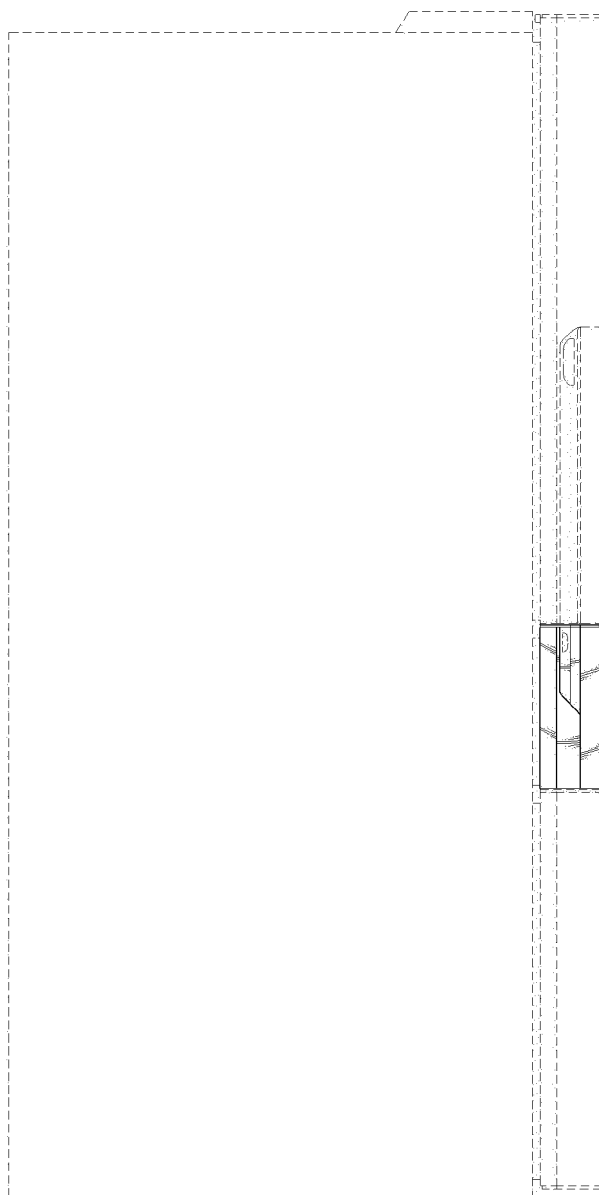


FIG. 5

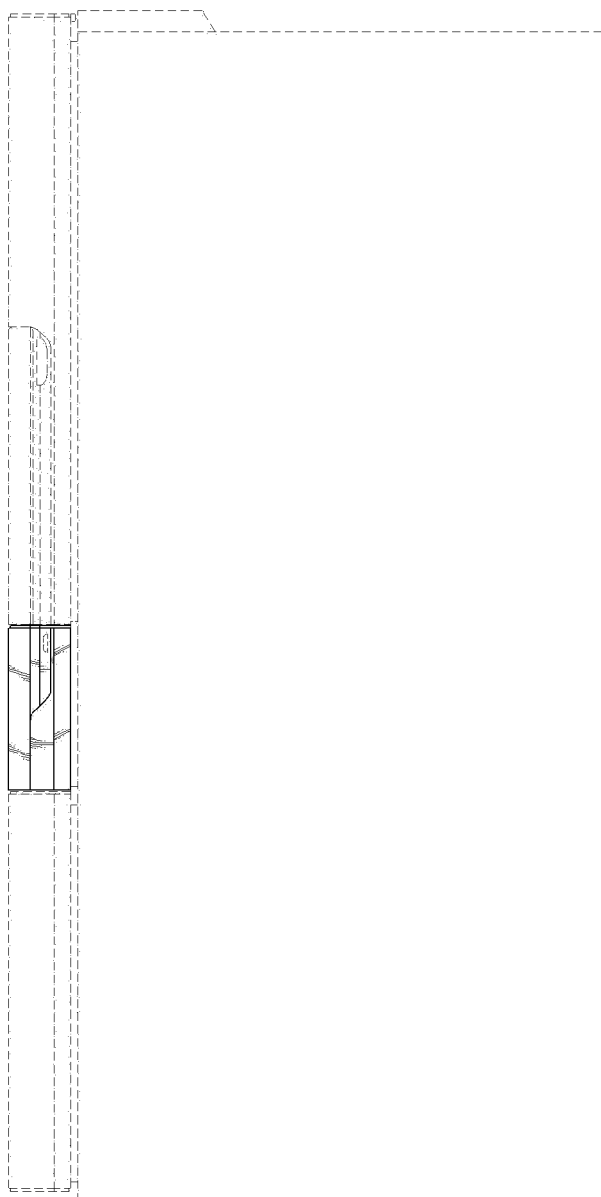


FIG. 6

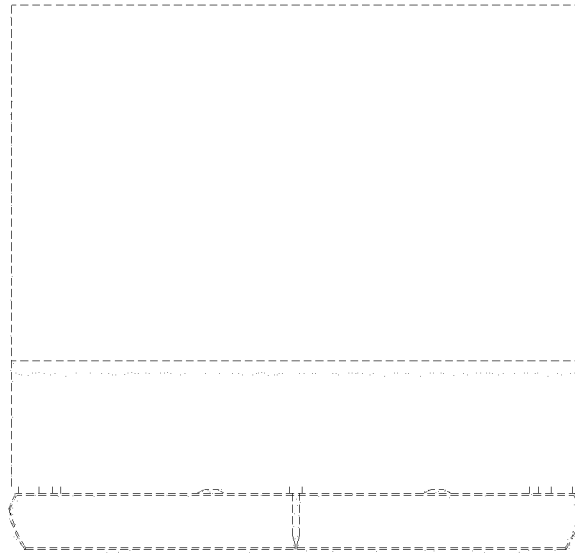


FIG. 7



FIG. 8

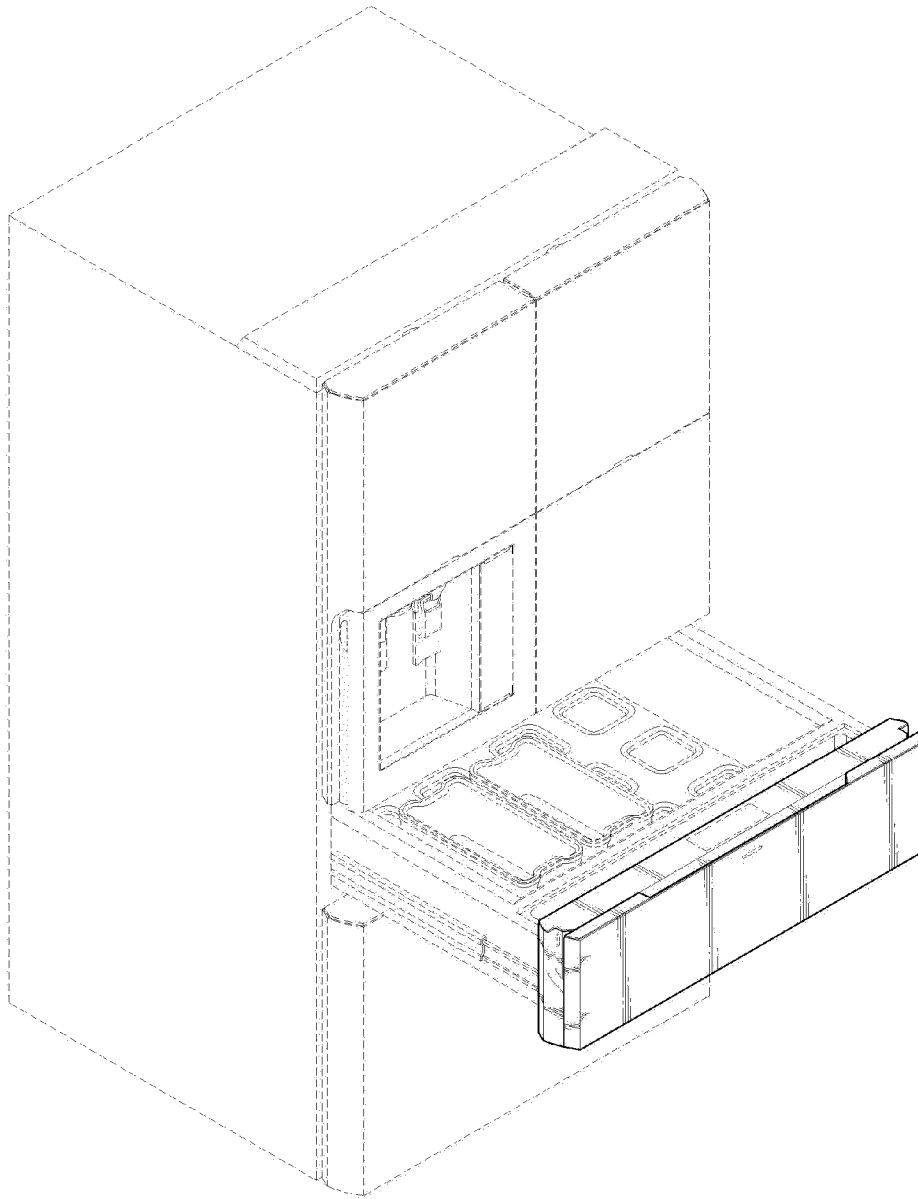


FIG. 9

