



(51) International Patent Classification:

B22F 3/16 (2006.01) *C22C 14/00* (2006.01)
B22F 3/12 (2006.01) *F41A 21/30* (2006.01)

(21) International Application Number:

PCT/US2016/065381

(22) International Filing Date:

7 December 2016 (07.12.2016)

(25) Filing Language:

English

(26) Publication Language:

English

(30) Priority Data:

62/264,225 7 December 2015 (07.12.2015) US

(71) Applicant: **PRAXIS POWDER TECHNOLOGY, INC.**
[US/US]; 604, Queensbury Avenue, Queensbury, New
York 12804 (US).

(72) Inventors: **PIEMME, Jobe**; 324, Ridge Road, Queens-
bury, New York 12804 (US). **GROHOWSKI, JR.,
Joseph A.**; 143, Sanford Street, Glen Falls, New York
12801 (US). **SHEFFIELD, Paul H.**; 14, Tomahawk
Road, Queensbury, New York 12804 (US).

(74) Agent: **CHARNEY, Scott**; Charney IP Law LLC, 233
Mount Airy Road, Suite 100, Basking Ridge, New Jersey
07920 (US).

(81) Designated States (unless otherwise indicated, for every
kind of national protection available): AE, AG, AL, AM,

AO, AT, AU, AZ, BA, BB, BG, BH, BN, BR, BW, BY,
BZ, CA, CH, CL, CN, CO, CR, CU, CZ, DE, DJ, DK, DM,
DO, DZ, EC, EE, EG, ES, FI, GB, GD, GE, GH, GM, GT,
HN, HR, HU, ID, IL, IN, IR, IS, JP, KE, KG, KN, KP, KR,
KW, KZ, LA, LC, LK, LR, LS, LU, LY, MA, MD, ME,
MG, MK, MN, MW, MX, MY, MZ, NA, NG, NI, NO, NZ,
OM, PA, PE, PG, PH, PL, PT, QA, RO, RS, RU, RW, SA,
SC, SD, SE, SG, SK, SL, SM, ST, SV, SY, TH, TJ, TM,
TN, TR, TT, TZ, UA, UG, US, UZ, VC, VN, ZA, ZM,
ZW.

(84) Designated States (unless otherwise indicated, for every
kind of regional protection available): ARIPO (BW, GH,
GM, KE, LR, LS, MW, MZ, NA, RW, SD, SL, ST, SZ,
TZ, UG, ZM, ZW), Eurasian (AM, AZ, BY, KG, KZ, RU,
TJ, TM), European (AL, AT, BE, BG, CH, CY, CZ, DE,
DK, EE, ES, FI, FR, GB, GR, HR, HU, IE, IS, IT, LT, LU,
LV, MC, MK, MT, NL, NO, PL, PT, RO, RS, SE, SI, SK,
SM, TR), OAPI (BF, BJ, CF, CG, CI, CM, GA, GN, GQ,
GW, KM, ML, MR, NE, SN, TD, TG).

Published:

- with international search report (Art. 21(3))
- before the expiration of the time limit for amending the
claims and to be republished in the event of receipt of
amendments (Rule 48.2(h))

(88) Date of publication of the international search report:

21 September 2017

(54) Title: BAFFLES, SUPPRESSORS, AND POWDER FORMING METHODS

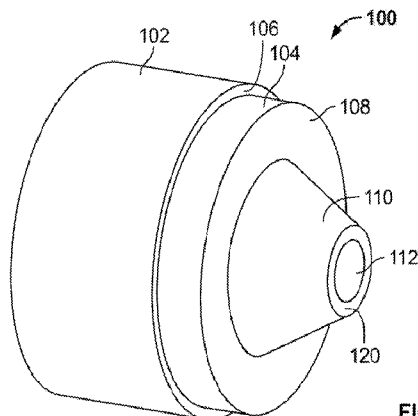


FIG. 1

(57) Abstract: A method of forming a titanium aluminide product includes preparing a titanium aluminide powder system, forming the titanium aluminide powder system into a green shape, sintering the green shape to create a sintered product, and deoxygenating the sintered product to form the titanium aluminide product. Oxygen content of the titanium aluminide product may be below 600 weight ppm or 200 weight ppm. Deoxygenating may be by deoxidation in solid state (DOSS) or molten salt electrolytic methods. Forming may be through one of compaction and powder metal injection molding. The method may also include machining.



INTERNATIONAL SEARCH REPORT

International application No.
PCT/US2016/065381

A. CLASSIFICATION OF SUBJECT MATTER

IPC(8) - B22F 3/16; B22F 3/12; C22C 14/00; F41A 21/30 (2017.01)

CPC - B22F 3/16; B22F 3/12; B22F 3/24; C22C 14/00; F41A 21/30 (2017.02)

According to International Patent Classification (IPC) or to both national classification and IPC

B. FIELDS SEARCHED

Minimum documentation searched (classification system followed by classification symbols)

See Search History document

Documentation searched other than minimum documentation to the extent that such documents are included in the fields searched

USPC - 75/235; 75/313; 75/356; 89/14.4; 420/417; 420/418 (keyword delimited)

Electronic data base consulted during the international search (name of data base and, where practicable, search terms used)

See Search History document

C. DOCUMENTS CONSIDERED TO BE RELEVANT

Category*	Citation of document, with indication, where appropriate, of the relevant passages	Relevant to claim No.
Y	US 2003/0082066 A1 (HAJALIGOL et al) 01 May 2003 (01.05.2003) entire document	1-14
Y	US 2011/0158843 A1 (WARD-CLOSE et al) 30 June 2011 (30.06.2011) entire document	1-14
Y	US 8,875,612 B1 (KLETT et al) 04 November 2014 (04.11.2014) entire document	8-14
A	US 4,917,858 A (EYLON et al) 17 April 1990 (17.04.1990) entire document	1-14
A	US 2011/0120881 A1 (STREZOV et al) 26 May 2011 (26.05.2011) entire document	1-14

 Further documents are listed in the continuation of Box C. See patent family annex.

* Special categories of cited documents:

"A" document defining the general state of the art which is not considered to be of particular relevance

"E" earlier application or patent but published on or after the international filing date

"L" document which may throw doubts on priority claim(s) or which is cited to establish the publication date of another citation or other special reason (as specified)

"O" document referring to an oral disclosure, use, exhibition or other means

"P" document published prior to the international filing date but later than the priority date claimed

"T" later document published after the international filing date or priority date and not in conflict with the application but cited to understand the principle or theory underlying the invention

"X" document of particular relevance; the claimed invention cannot be considered novel or cannot be considered to involve an inventive step when the document is taken alone

"Y" document of particular relevance; the claimed invention cannot be considered to involve an inventive step when the document is combined with one or more other such documents, such combination being obvious to a person skilled in the art

"&" document member of the same patent family

Date of the actual completion of the international search

11 July 2017

Date of mailing of the international search report

07 AUG 2017

Name and mailing address of the ISA/US

Mail Stop PCT, Attn: ISA/US, Commissioner for Patents
P.O. Box 1450, Alexandria, VA 22313-1450
Facsimile No. 571-273-8300

Authorized officer

Blaine R. Copenheaver

PCT Helpdesk: 571-272-4300
PCT OSP: 571-272-7774