

[54] **RECUMBENT TRICYCLE**

[76] **Inventor:** Kelvin Tellinghuisen, 5100 E.
Prospect, Sioux Falls, S. Dak. 57103

[**] **Term:** 14 Years

[21] **Appl. No.:** 393,302

[22] **Filed:** Aug. 10, 1989

[52] **U.S. Cl. D12/112**

[58] **Field of Search D12/112; 280/267, 282,
280/288.1**

[56] **References Cited**

U.S. PATENT DOCUMENTS

D. 290,451	6/1987	Engum	280/288.1
4,359,231	11/1982	Mulcahy	280/288.1
4,572,535	2/1986	Stewart et al.	280/282
4,789,173	12/1988	Lofgren et al.	280/282
4,826,190	5/1989	Hartmann	280/282
4,925,200	5/1990	Jones	280/288.1
4,993,733	2/1991	Eilers	280/282

OTHER PUBLICATIONS

American Bicyclist & Motorcyclist, Jun. 1987, pp. 29 & 38, H.P.E. Corp., Recumbent Vehicle & Tandem Recumbent Cycle.

American Bicyclist & Motorcyclist, Jun. 1987, p. 32, Wiener Three-Wheeled Recumbent Cycle.

Primary Examiner—James M. Gandy

Assistant Examiner—Melody Brown

[57] **CLAIM**

The ornamental design for a recumbent tricycle, as shown.

DESCRIPTION

FIG. 1 is a perspective view of a recumbent tricycle showing my new design;

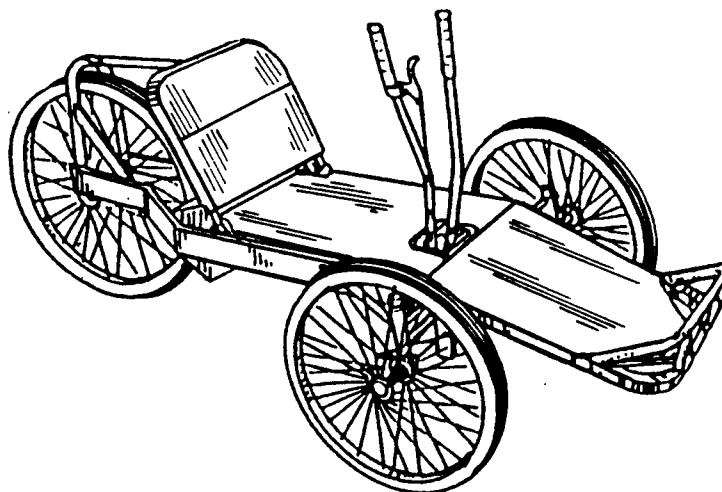
FIG. 2 is a right side elevation view thereof;

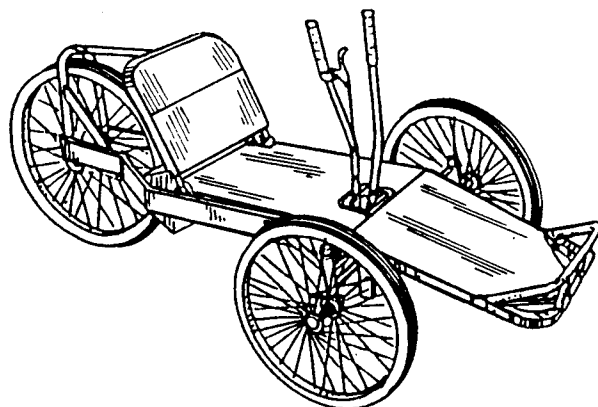
FIG. 3 is a top plan view thereof;

FIG. 4 is a front elevation view thereof;

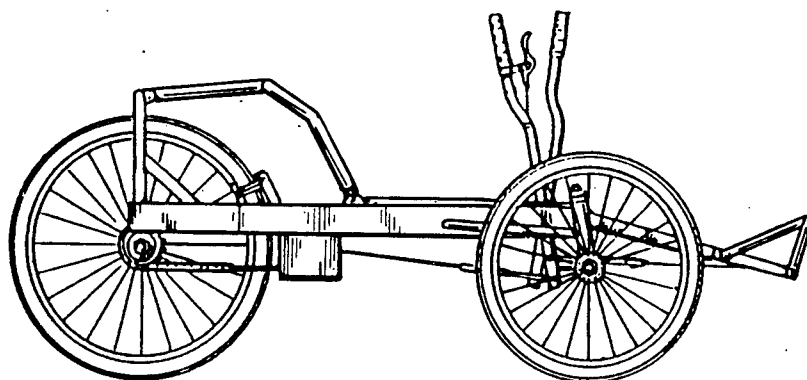
FIG. 5 is a rear elevation view thereof; and

FIG. 6 is a bottom plan view thereof.

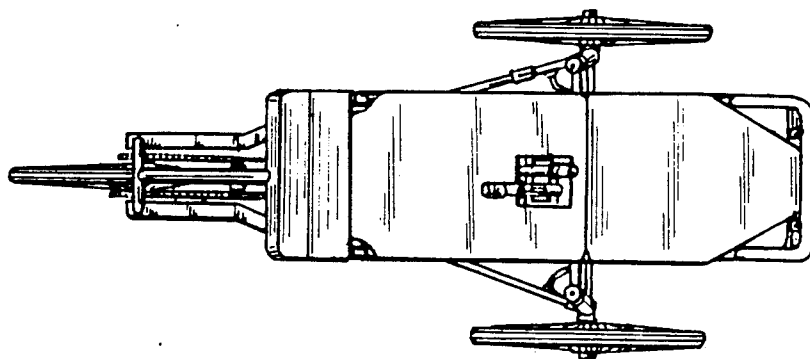




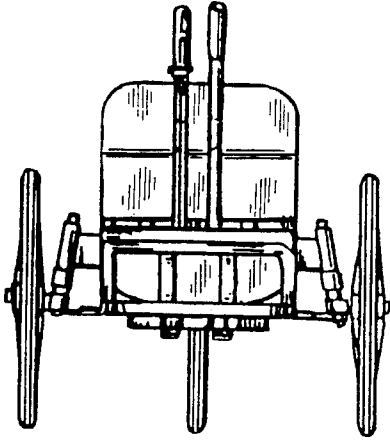
Fig_1



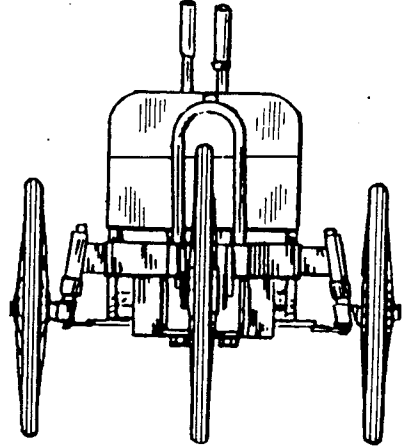
Fig_2



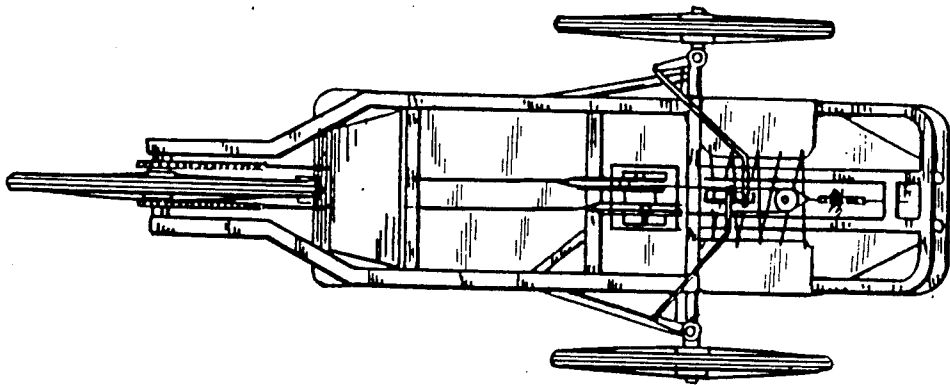
Fig_3



Fig_4



Fig_5



Fig_6