



US00D742016S

(12) **United States Design Patent**
Hopper

(10) **Patent No.:** **US D742,016 S**

(45) **Date of Patent:** **** Oct. 27, 2015**

- (54) **ROUNDED AIR HORN**
- (71) Applicant: **James Gilbert Robinson**, Guilford, Surrey (GB)
- (72) Inventor: **Timothy Hopper**, Guildford (GB)
- (73) Assignee: **Wagner Spraytech Limited**, Guildford, Surrey (GB)
- (**) Term: **14 Years**
- (21) Appl. No.: **29/483,995**
- (22) Filed: **Mar. 5, 2014**
- (51) **LOC (10) CL.** **24-00**
- (52) **U.S. Cl.**
USPC **D24/185**
- (58) **Field of Classification Search**
USPC D24/172, 185; 239/353, 308, 340, 346, 239/290, 226, 225, 296, 291, 245, 597, 344, 239/322; D23/226, 229, 225, 223; D9/445; 222/190
CPC B05B 7/0815; B05B 1/005; B05B 3/06; B05B 3/02; B05B 11/06; B05B 7/2421; B05B 7/2429; B05B 7/2435; B05B 1/3026; B05B 7/2437; B05B 7/0037
See application file for complete search history.

D536,418	S *	2/2007	Huang	D23/226
D537,505	S *	2/2007	Huang	D23/226
D541,903	S *	5/2007	Hopper	D23/226
D574,928	S *	8/2008	Huang	D23/226
D575,847	S *	8/2008	Huang	D23/229
D592,055	S *	5/2009	Goulet	D9/445
8,286,836	B2 *	10/2012	Yates	222/190
D697,584	S *	1/2014	Schmon et al.	D23/226
D698,007	S *	1/2014	Tullney	D23/225
8,870,093	B2 *	10/2014	Brummitt	239/322
D723,659	S *	3/2015	Tullney et al.	D23/225
D725,743	S *	3/2015	Richter et al.	D23/226
D726,872	S *	4/2015	Thurgood et al.	D23/223
2003/0052190	A1 *	3/2003	Ulrich et al.	239/290
2005/0145718	A1 *	7/2005	Blette et al.	239/290
2006/0027679	A1 *	2/2006	Gratteau	239/291
2007/0221751	A1 *	9/2007	Lang et al.	239/290

(Continued)

Primary Examiner — Holly Baynham

Assistant Examiner — Rhea Shields

(74) *Attorney, Agent, or Firm* — Lambert & Associates; Gary E. Lambert; David J. Connaughton, Jr.

(57) **CLAIM**

The ornamental design for a rounded air horn, as shown and described.

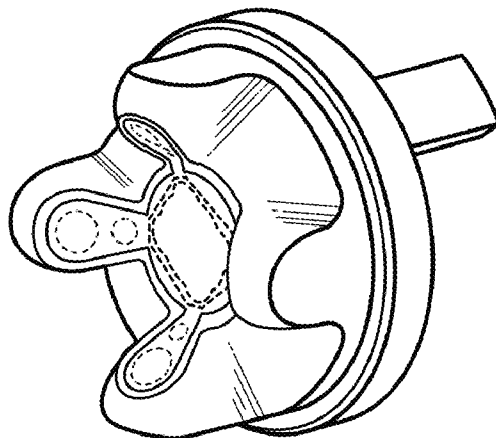
DESCRIPTION

FIG. 1 is a front perspective view of the rounded air horns which embodies my design;
 FIG. 2 is a front elevation view of the rounded air horns;
 FIG. 3 is a rear elevation view of the rounded air horns;
 FIG. 4 is a left side view of the rounded air horns;
 FIG. 5 is a top view of the rounded air horns; and,
 FIG. 6 is a right side view of the rounded air horns.
 In the drawings, the broken lines are for the purpose of illustrating environment only and form no part of the claimed design.

1 Claim, 2 Drawing Sheets

(56) **References Cited**
 U.S. PATENT DOCUMENTS

1,834,683	A *	12/1931	Custer	239/353
3,880,356	A *	4/1975	Chandler	239/308
5,307,994	A *	5/1994	Hieronymus	239/340
6,010,082	A *	1/2000	Peterson	239/346
D479,305	S *	9/2003	Zittel et al.	D23/226
D495,400	S *	8/2004	Hopper	D23/225
7,097,118	B1 *	8/2006	Huang	239/290
D527,797	S *	9/2006	Hickman	D23/245



US D742,016 S

Page 2

(56)

References Cited

U.S. PATENT DOCUMENTS

2010/0206963	A1*	8/2010	Huang	239/290
2010/0224700	A1*	9/2010	Woodgate et al.	239/344
2012/0318890	A1*	12/2012	Hopper	239/290
2007/0221762	A1*	9/2007	Micheli et al.	239/597
2007/0262171	A1*	11/2007	Wong	239/296

* cited by examiner

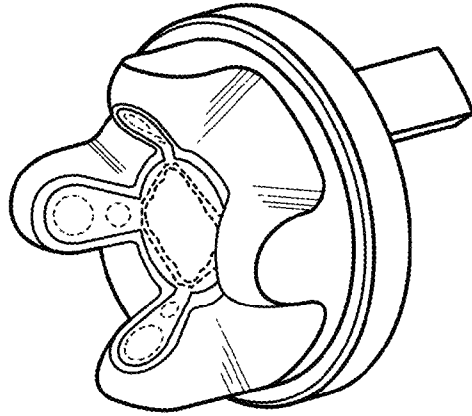


Fig. 1

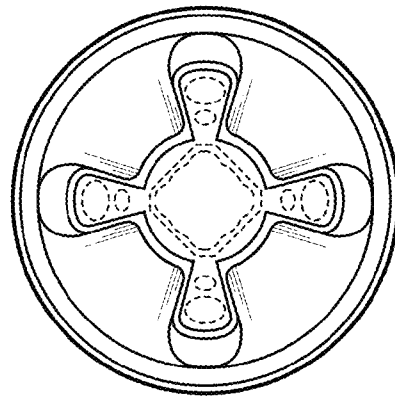


Fig. 2

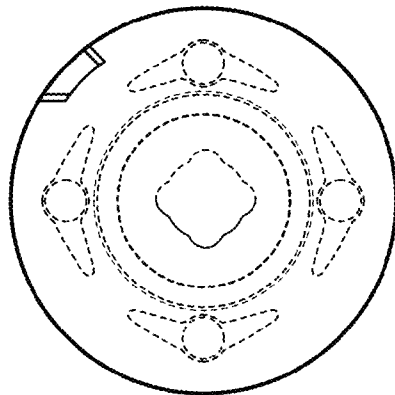


Fig. 3

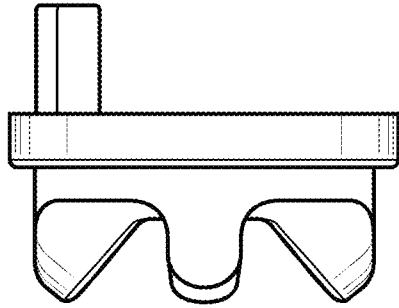


Fig. 4

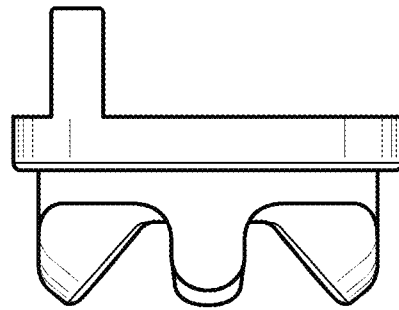


Fig. 5

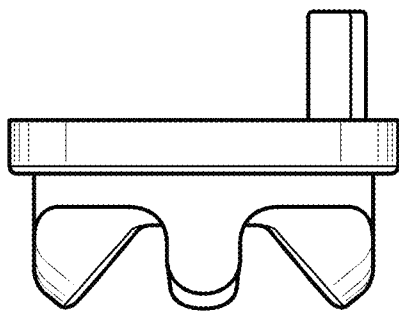


Fig. 6